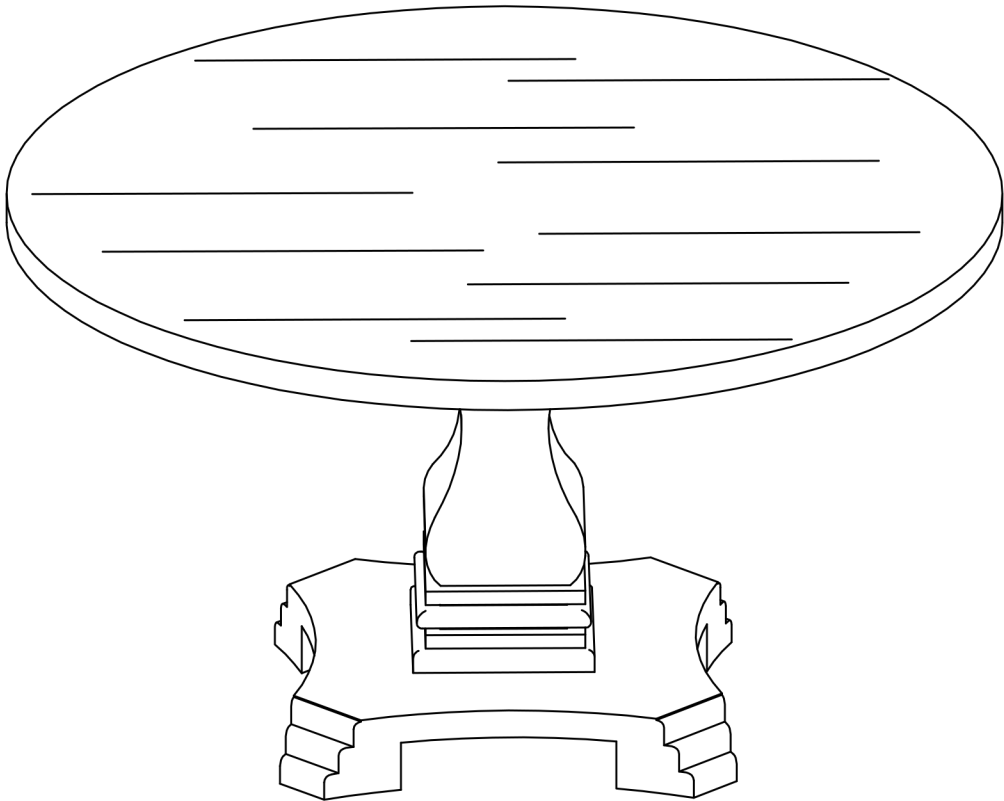


Assembly Instructions

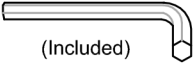


ASSEMBLY RATING

The Assembly Rating is a 5-point system that shows the degree of effort needed in assembling a specific product (with 1 being easy and 5 being difficult). For some products, two persons are recommended.

Tools Required For Assembly:

Allen Wrench

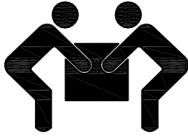


(Included)

EASY



DIFFICULT



2 PERSONS RECOMMENDED

ASSEMBLY & CARE ADVICE

FOR YOUR FURNITURE TO LAST, CORRECT ASSEMBLY AND PROPER MAINTENANCE ARE NECESSARY. PLEASE FOLLOW THE INFORMATION PROVIDED BELOW TO FULLY ENJOY YOUR FURNITURE.

BASIC ASSEMBLY TECHNIQUES



When lock or spring washer is used in an assembly, please make sure the lock or spring washer is placed between the larger flat washer and the head of the screw or bolt.



Position each part correctly and insert screws or bolts into their respective holes by hand tighten or using the proper hand tool. Only tighten when step is completed or when instructed to do so.



Use cardboard or carpet area when assembling furniture to prevent scratches. Make sure the furniture rests on a flat and level surface with each leg evenly touching the floor.



Some furniture comes with height adjustment knobs underneath each leg. To lower or to raise each leg, you need to turn clockwise or counterclockwise, respectively.



Make sure all parts are properly aligned, then use the appropriate hand tool to completely tighten the bolts or screws. Do not use power tools and do not overtighten.

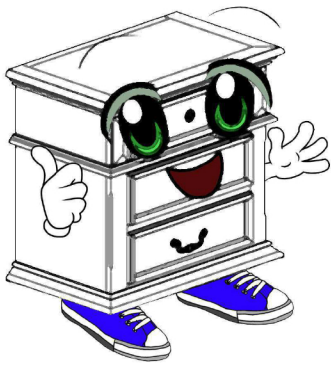


Save the instructions and store the Allen wrench or any supplied tool for later maintenance. After two weeks, check and tighten any loose hardware and repeat again every six months thereafter.

IT IS THE USER'S RESPONSIBILITY TO MAINTAIN THE FURNITURE. THE HARDWARE MAY LOOSEN OVER TIME AND MAY CAUSE THE FURNITURE TO BE WOBBLY AND UNABLE TO SUPPORT ITS INTENDED WEIGHT CAPACITY. THIS MAY LEAD TO COLLAPSE AND MAY CAUSE SERIOUS INJURY.



FAILURE TO FOLLOW THE GUIDELINES ABOVE MAY RESULT IN INJURY AND/OR PROPERTY DAMAGE.



Before you begin, please read Page 2 of "Assembly and Care Advice".

And remember, do not tighten until each step is completed or instructed.

Parts List



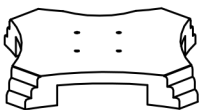
#1 x 1pc
Table Top



#2 x 1pc
Table Top Support panel

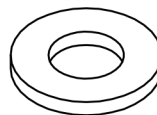


#3 x 1pc
Table Leg

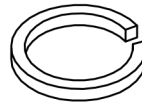


#4 x 1pc
Base

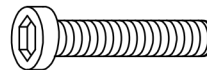
Hardware List



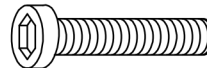
#A x 12pcs
Flat washer



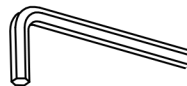
#B x 12pcs
Lock washer



#C x 8pcs
Bolt 5/16"X1-1/2"



#D x 4pcs
Bolt 5/16"X2"

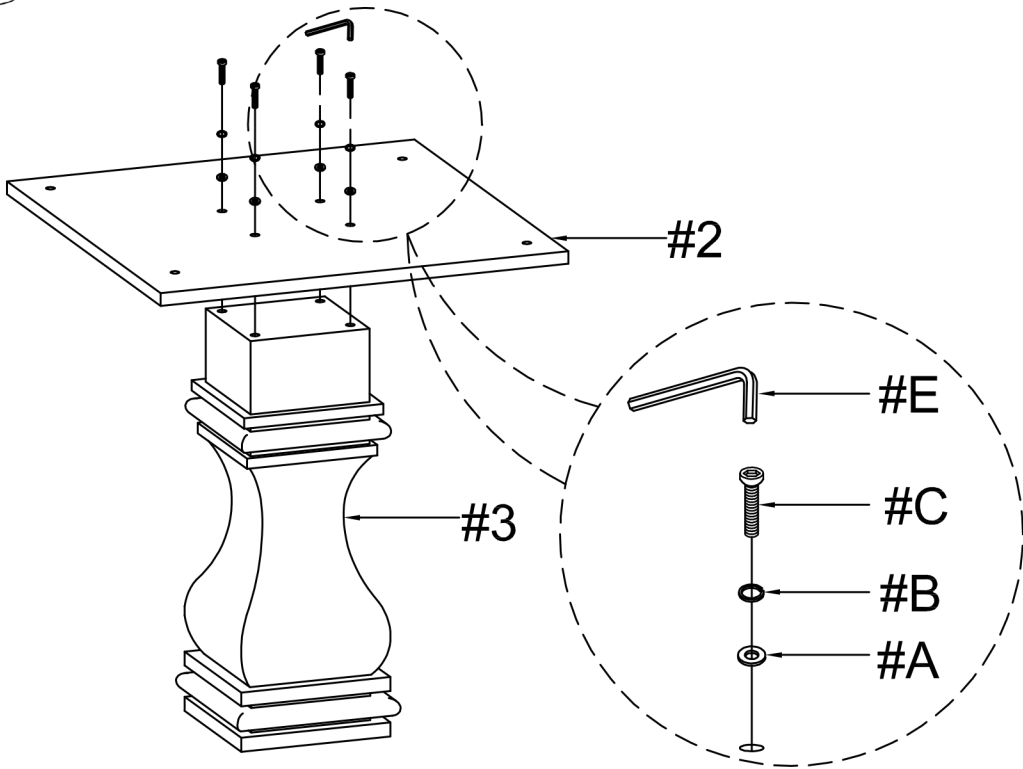


#E x 1pc
Allen Wrench



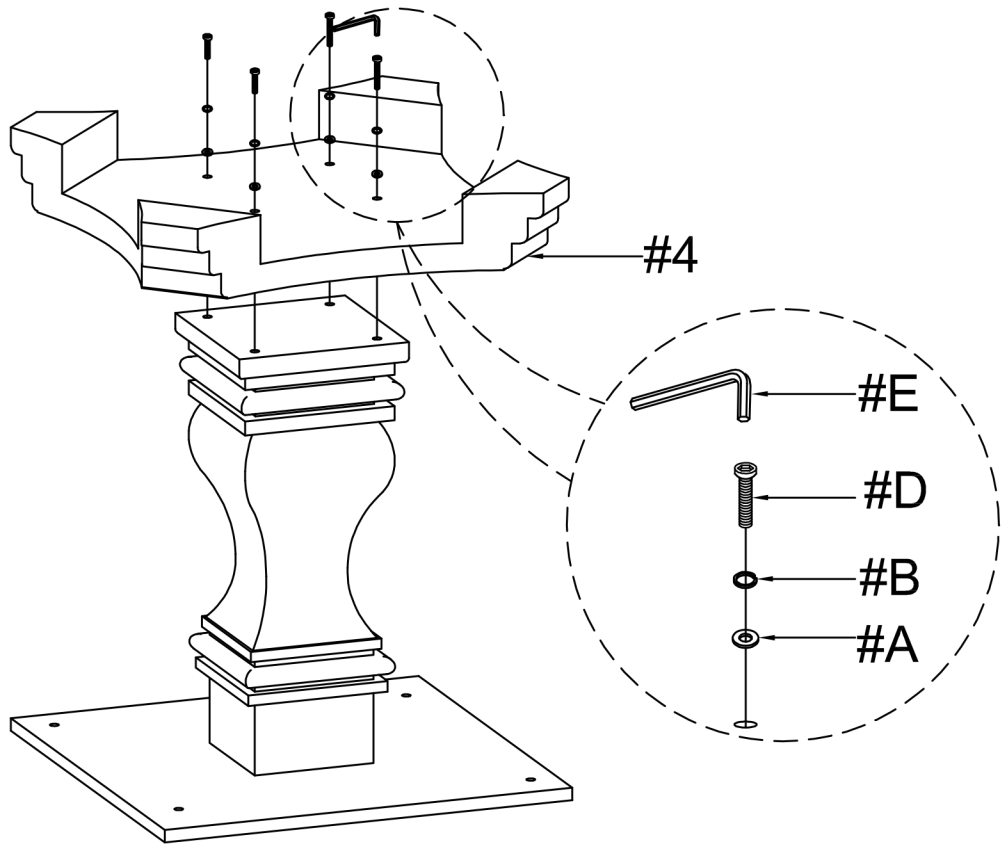
#A x 4pcs
 #B x 4pcs
 #C x 4pcs

Prepare 4 bolts assembly by inserting lock washer (#B), then flat washer (#A) onto bolts (#C). Align table top support panel (#2) to the holes of the table leg (#3). Secure with bolts (#C).



#A x 4pcs
 #B x 4pcs
 #D x 4pcs

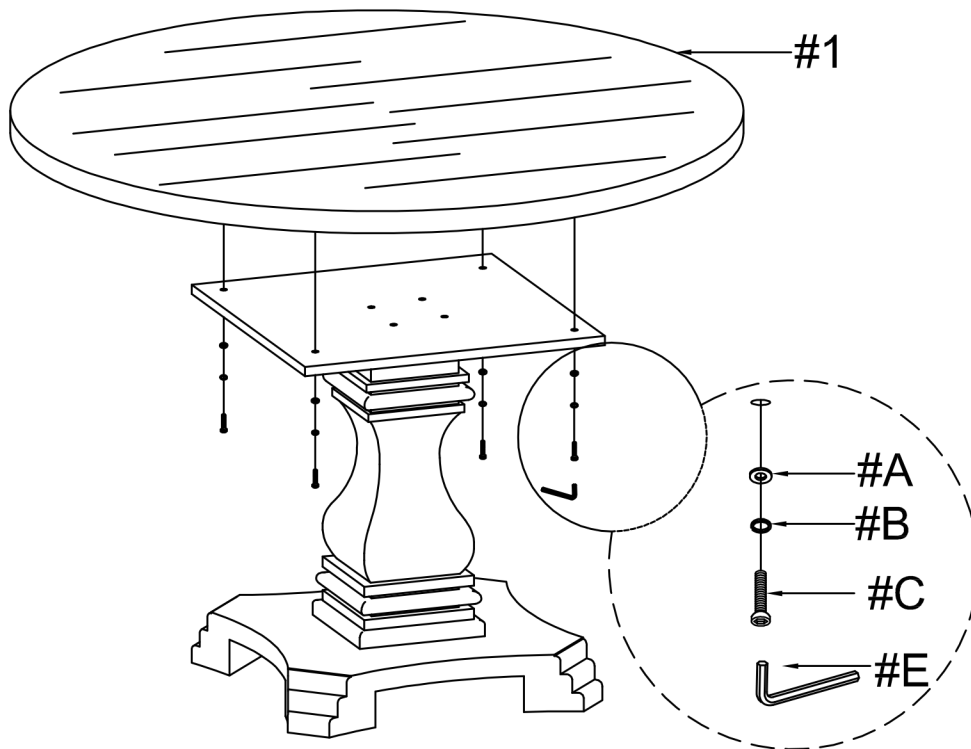
Prepare 4 bolts assembly by inserting lock washer (#B), then flat washer (#A) onto bolts (#D). Align base (#4) to the holes of the table leg (#3). Secure with bolts (#D).



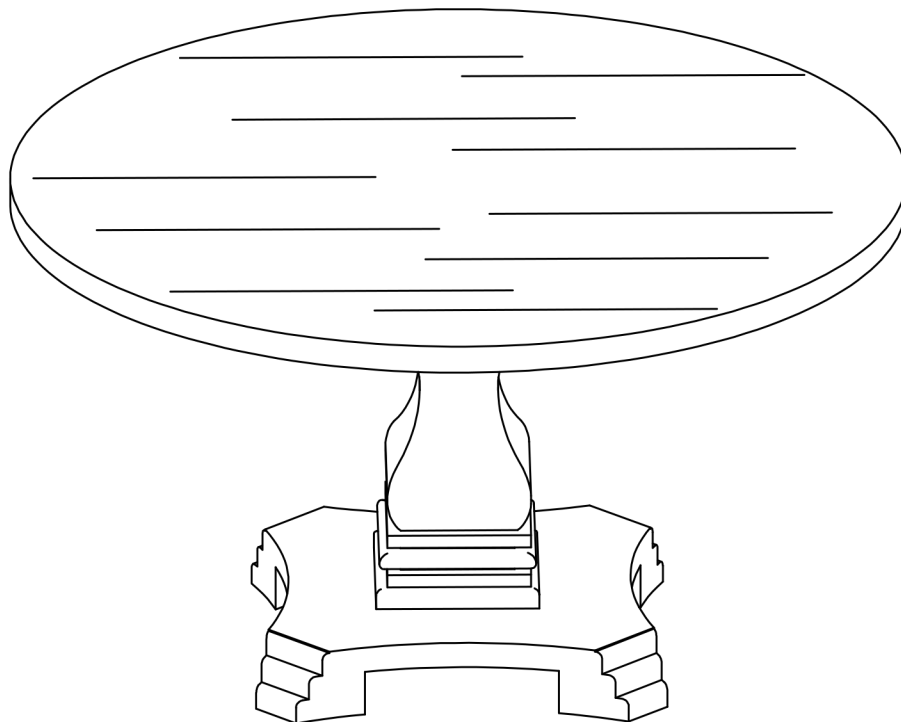


#A x 4pcs
#B x 4pcs
#C x 4pcs

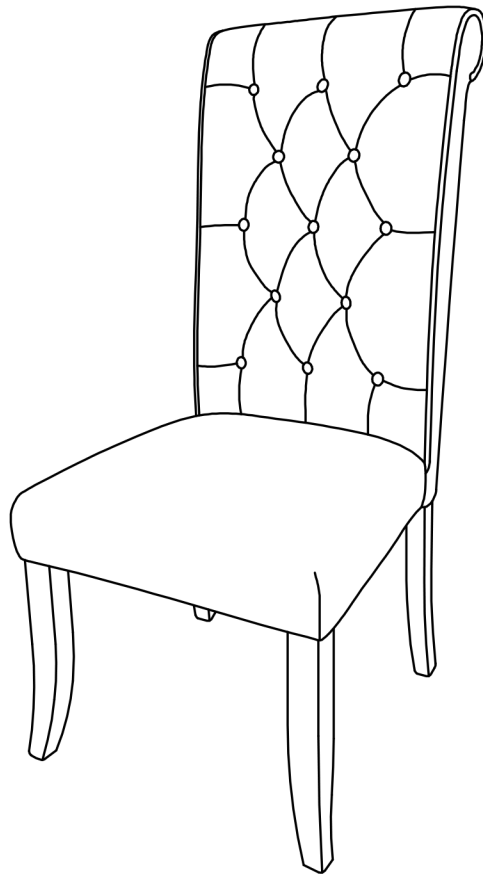
Prepare 4 bolts assembly by inserting lock washer (#B), then flat washer (#A) onto bolts (#C). Align table top (#1) to the holes of the table top support panel (#2). Secure with bolts (#C).



Assembly Completed



Assembly Instructions

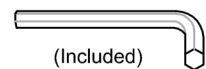


ASSEMBLY RATING

The Assembly Rating is a 5-point system that shows the degree of effort needed in assembling a specific product (with 1 being easy and 5 being difficult). For some products, two persons are recommended.

Tools Required For Assembly:

Allen Wrench



EASY

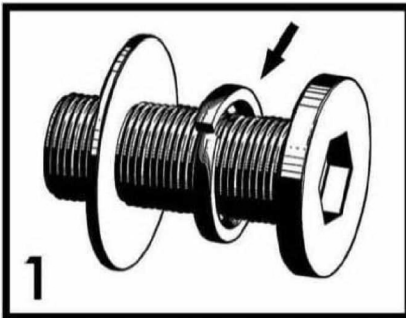


DIFFICULT

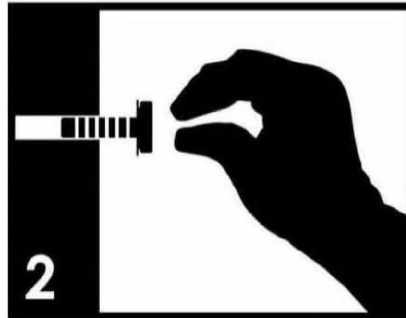
ASSEMBLY & CARE ADVICE

FOR YOUR FURNITURE TO LAST, CORRECT ASSEMBLY AND PROPER MAINTENANCE ARE NECESSARY. PLEASE FOLLOW THE INFORMATION PROVIDED BELOW TO FULLY ENJOY YOUR FURNITURE.

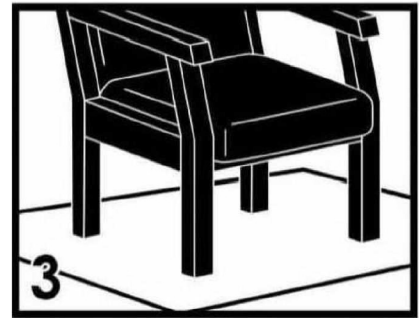
BASIC ASSEMBLY TECHNIQUES



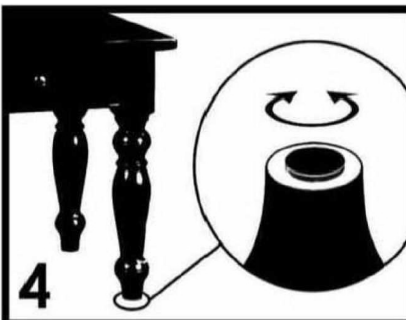
When lock or spring washer is used in an assembly, please make sure the lock or spring washer is placed between the larger flat washer and the head of the screw or bolt.



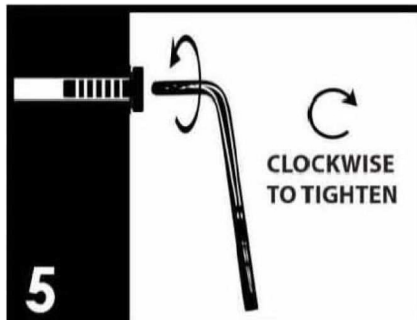
Position each part correctly and insert screws or bolts into their respective holes by hand tighten or using the proper hand tool. Only tighten when step is completed or when instructed to do so.



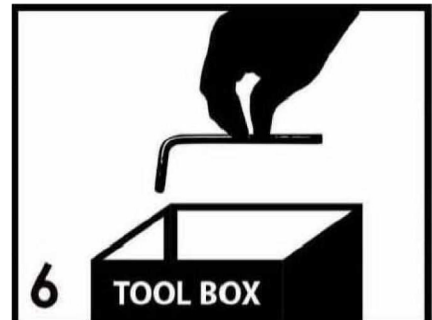
Use cardboard or carpet area when assembling furniture to prevent scratches. Make sure the furniture rests on a flat and level surface with each leg evenly touching the floor.



Some furniture comes with height adjustment knobs underneath each leg. To lower or to raise each leg, you need to turn clockwise or counterclockwise, respectively.



Make sure all parts are properly aligned, then use the appropriate hand tool to completely tighten the bolts or screws. Do not use power tools and do not overtighten.

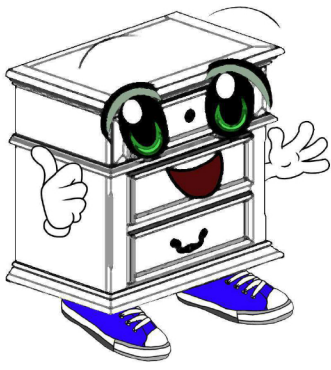


Save the instructions and store the Allen wrench or any supplied tool for later maintenance. After two weeks, check and tighten any loose hardware and repeat again every six months thereafter.

IT IS THE USER'S RESPONSIBILITY TO MAINTAIN THE FURNITURE. THE HARDWARE MAY LOOSEN OVER TIME AND MAY CAUSE THE FURNITURE TO BE WOBBLY AND UNABLE TO SUPPORT ITS INTENDED WEIGHT CAPACITY. THIS MAY LEAD TO COLLAPSE AND MAY CAUSE SERIOUS INJURY.



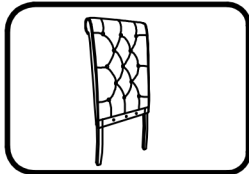
FAILURE TO FOLLOW THE GUIDELINES ABOVE MAY RESULT IN INJURY AND/OR PROPERTY DAMAGE.



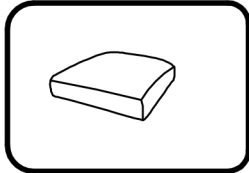
Before you begin, please read Page 2 of "Assembly and Care Advice".

And remember, do not tighten until each step is completed or instructed.

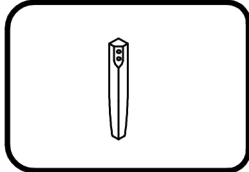
Parts List



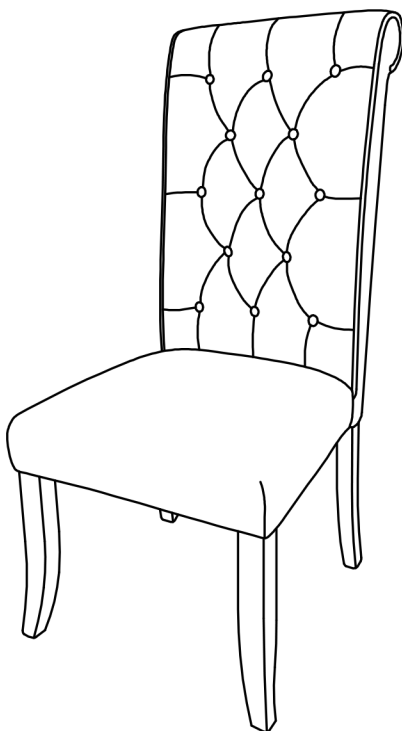
#1 x 1pc x 2
Backrest w/Legs



#2 x 1pc x 2
Seat

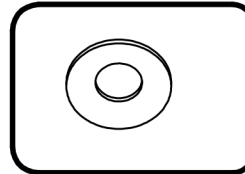


#3 x 2pcs x 2
Front Leg

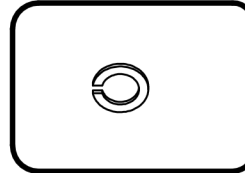


x 2

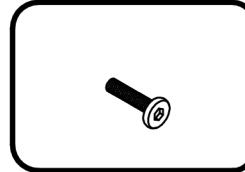
Hardware List



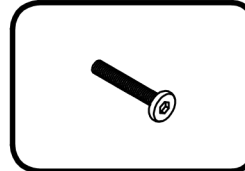
#A x 10pcs x 2
Flat Washer Ø5/16"



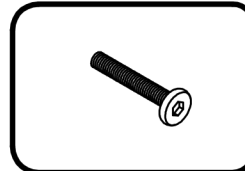
#B x 10pcs x 2
Lock Washer Ø5/16"



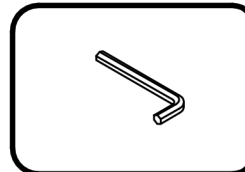
#C x 2pcs x 2
Bolt 5/16" x 1-1/2"



#D x 4pcs x 2
Bolt 5/16" x 2"



#E x 4pcs x 2
Bolt 5/16" x 3-1/2"

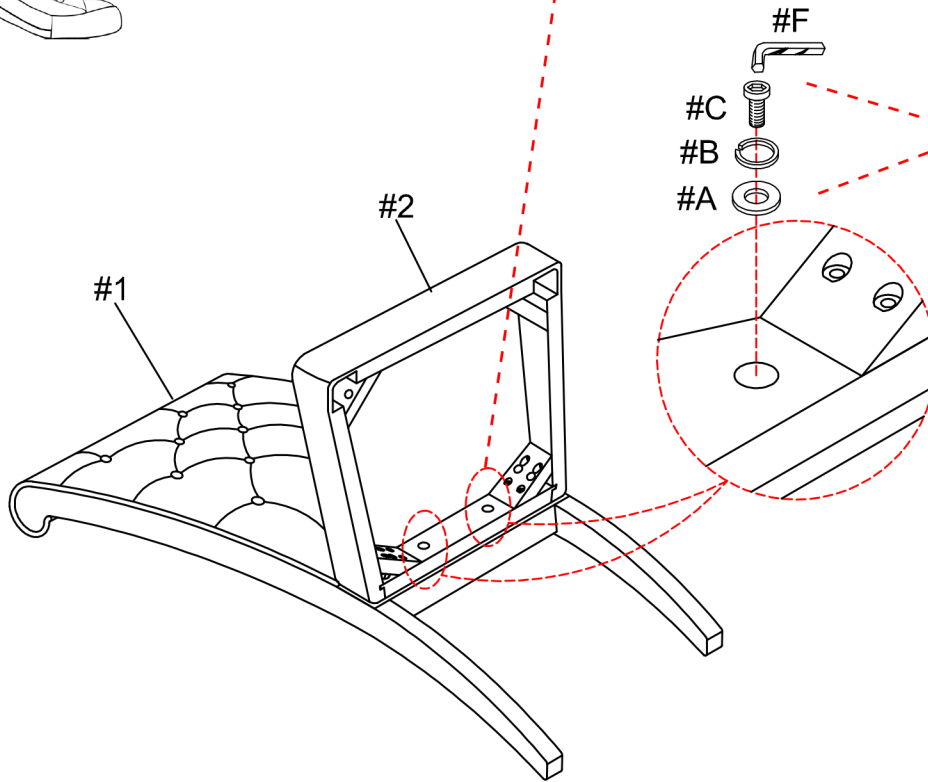


#F x 1pc x 2
Allen Wrench M5



#A x 2pcs
#B x 2pcs
#C x 2pcs

1. Carefully place the backrest w/legs (#1) onto a protected surface.
2. Align the pre-drilled holes on the back side of the seat (#2) to the pre-drilled holes along the front of the backrest w/legs (#1)

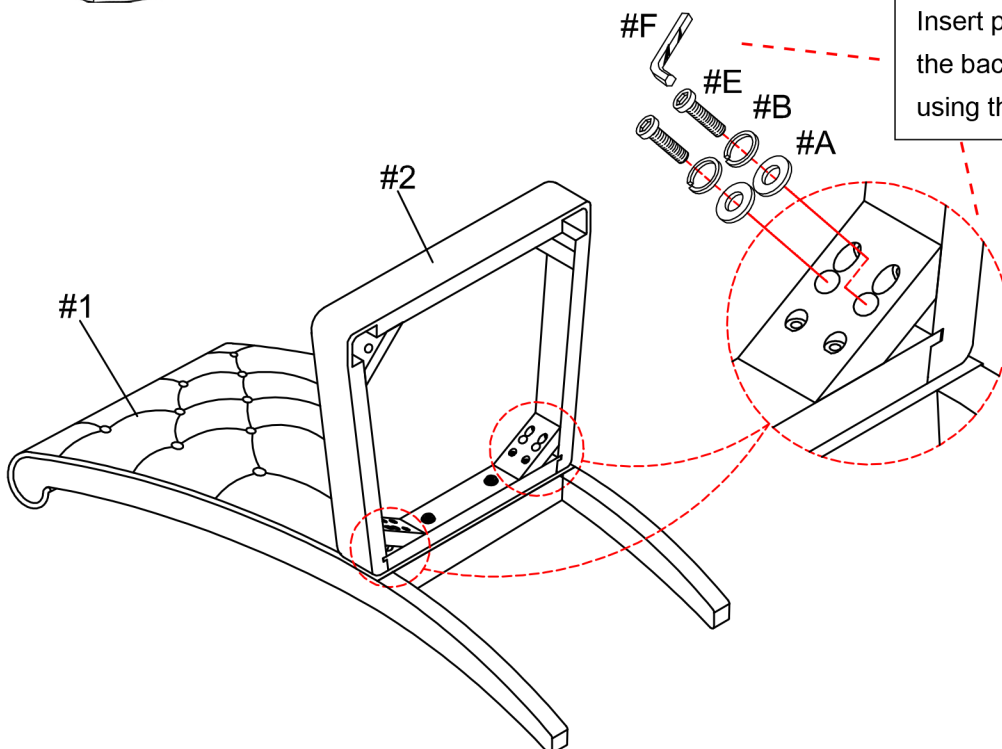


3. Prepare 2 bolt assemblies by first inserting a lock washer (#B) onto the bolt (#C) then a flat washer (#A) onto that same bolt (#C), in that order. Insert into the 2 center holes and secure using the Allen wrench (#F).



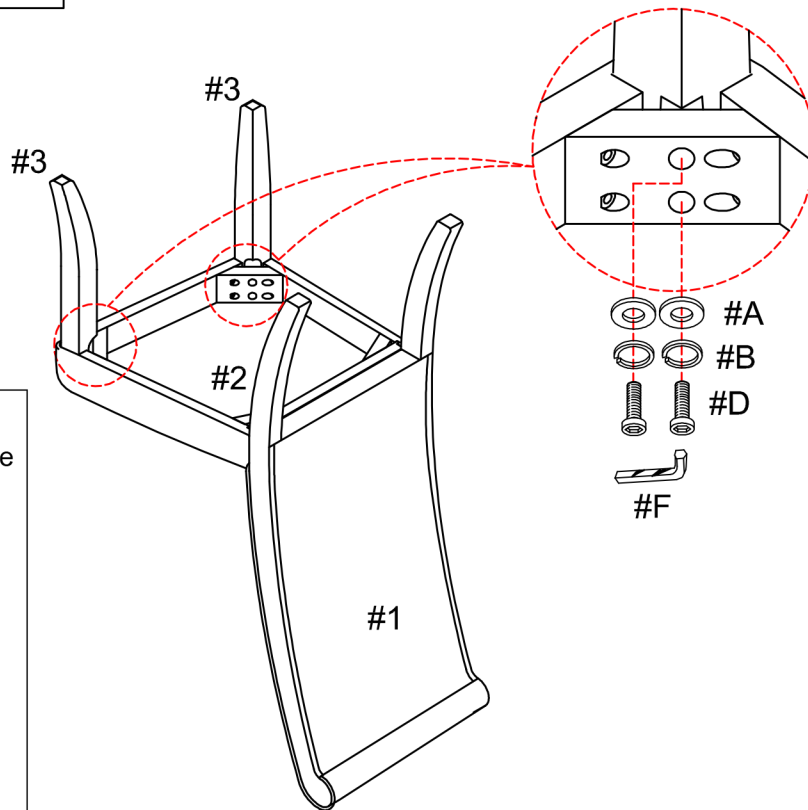
#A x 4pcs
#B x 4pcs
#E x 4pcs

Prepare 4 bolt assemblies by first inserting a lock washer (#B) onto the bolt (#E) then a flat washer (#A) onto that same bolt (#E), in that order. Insert prepared bolt assemblies into the back corner holes and secure using the Allen wrench (#F).





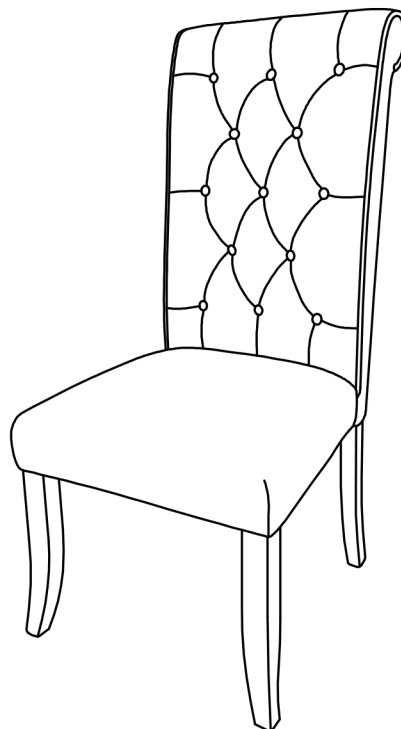
#A x 4pcs
#B x 4pcs
#D x 4pcs



1. Align the front legs (#3) to the pre-drilled holes located on the front corners of the seat (#2).
2. Prepare 4 bolt assemblies by first inserting a lock washer (#B) onto the bolt (#D) then a flat washer (#A) onto that same bolt (#D), in that order. Insert into the front corner holes and secure using the Allen wrench (#F).



Carefully turn the completed chair upright. Make sure the chair is rested on a flat surface and does not feel loose or wobbly. If it does, double check that the bolts are secured and properly tightened.



ASSEMBLY IS COMPLETED