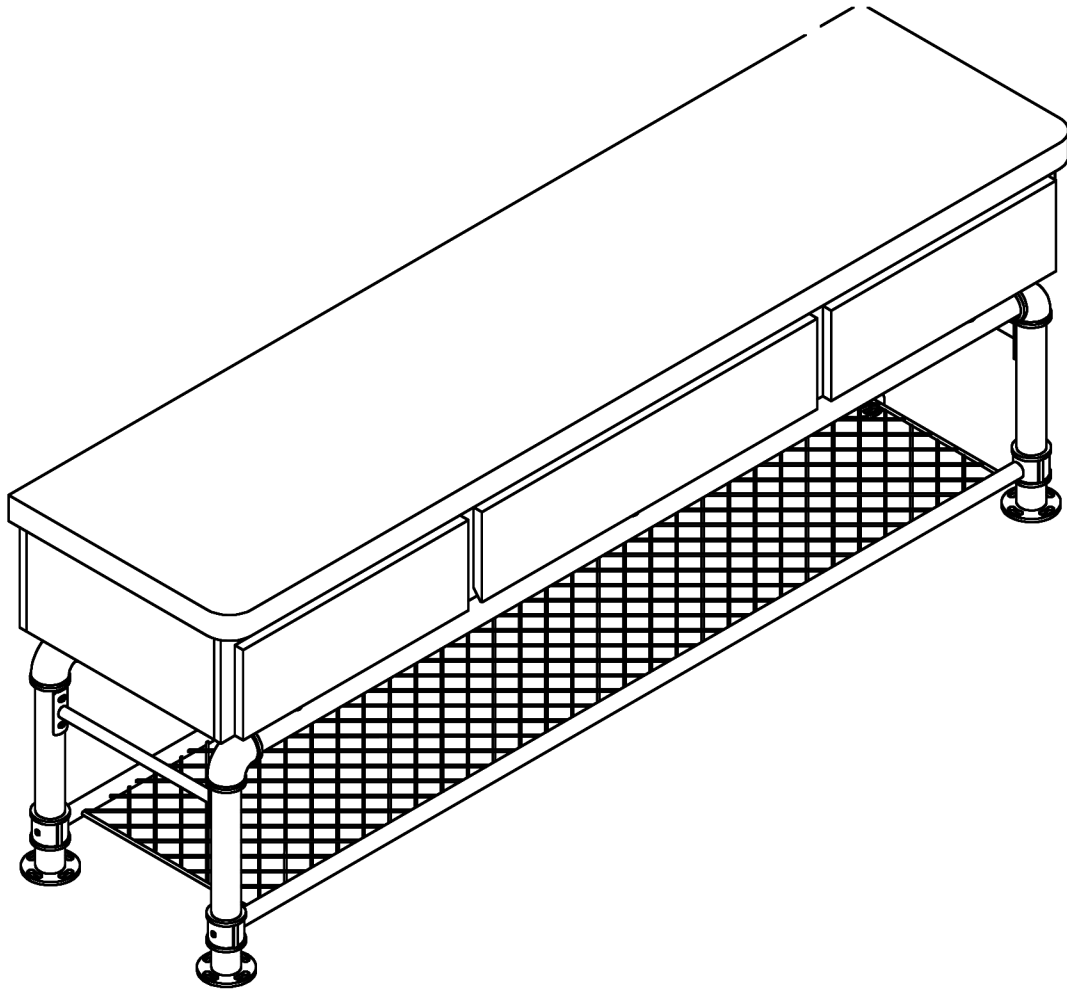


Assembly Instructions



ASSEMBLY RATING

The Assembly Rating is a 5-point system that shows the degree of effort needed in assembling a specific product (with 1 being easy and 5 being difficult). For some products, two persons are recommended.

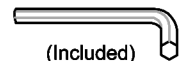
EASY



DIFFICULT

Tools Required For Assembly:

Allen Wrench



(Included)

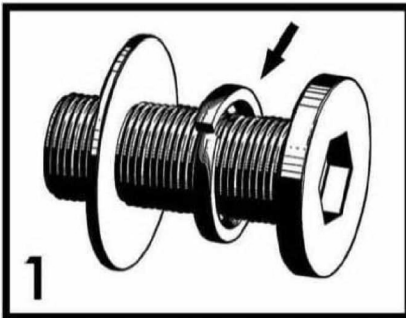


2 PERSONS RECOMMENDED

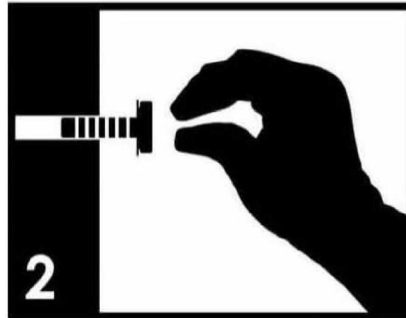
ASSEMBLY & CARE ADVICE

FOR YOUR FURNITURE TO LAST, CORRECT ASSEMBLY AND PROPER MAINTENANCE ARE NECESSARY. PLEASE FOLLOW THE INFORMATION PROVIDED BELOW TO FULLY ENJOY YOUR FURNITURE.

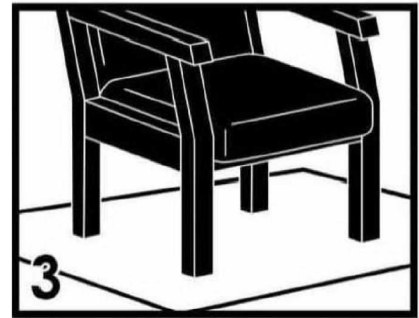
BASIC ASSEMBLY TECHNIQUES



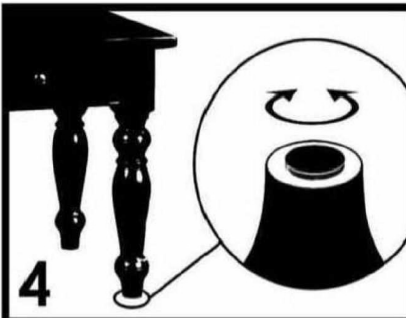
When lock or spring washer is used in an assembly, please make sure the lock or spring washer is placed between the larger flat washer and the head of the screw or bolt.



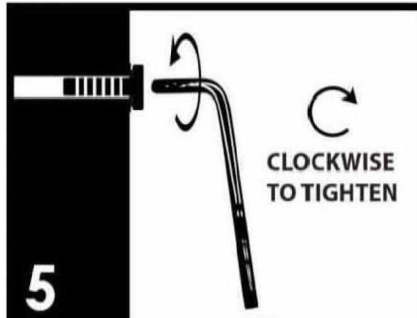
Position each part correctly and insert screws or bolts into their respective holes by hand tighten or using the proper hand tool. Only tighten when step is completed or when instructed to do so.



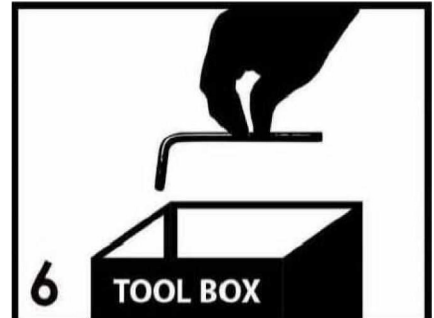
Use cardboard or carpet area when assembling furniture to prevent scratches. Make sure the furniture rests on a flat and level surface with each leg evenly touching the floor.



Some furniture comes with height adjustment knobs underneath each leg. To lower or to raise each leg, you need to turn clockwise or counterclockwise, respectively.



Make sure all parts are properly aligned, then use the appropriate hand tool to completely tighten the bolts or screws. Do not use power tools and do not overtighten.

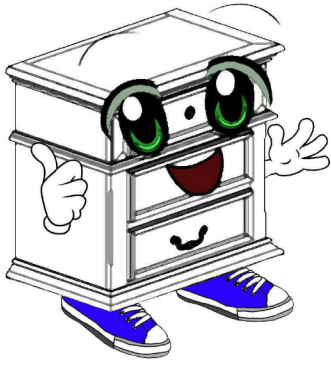


Save the instructions and store the Allen wrench or any supplied tool for later maintenance. After two weeks, check and tighten any loose hardware and repeat again every six months thereafter.

IT IS THE USER'S RESPONSIBILITY TO MAINTAIN THE FURNITURE. THE HARDWARE MAY LOOSEN OVER TIME AND MAY CAUSE THE FURNITURE TO BE WOBBLY AND UNABLE TO SUPPORT ITS INTENDED WEIGHT CAPACITY. THIS MAY LEAD TO COLLAPSE AND MAY CAUSE SERIOUS INJURY.



FAILURE TO FOLLOW THE GUIDELINES ABOVE MAY RESULT IN INJURY AND/OR PROPERTY DAMAGE.

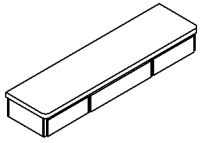


Before you begin, please read Page 2 of "Assembly and Care Advice".

And remember, do not tighten until each step is completed or instructed.

Parts List

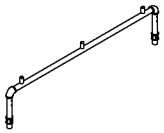
Hardware List



#1 x 1pc
Top



#A x 8pcs
Bolt 1/4" X 5/8"



#2 x 2pcs
Support Frame



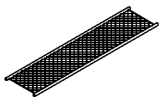
#B x 10pcs
Bolt 1/4" X 3"



#3 x 2pcs
Connect Tube



#C x 1pc
Allen Wrench M4



#4 x 1pc
Shelf



#D x 6pcs
Washer



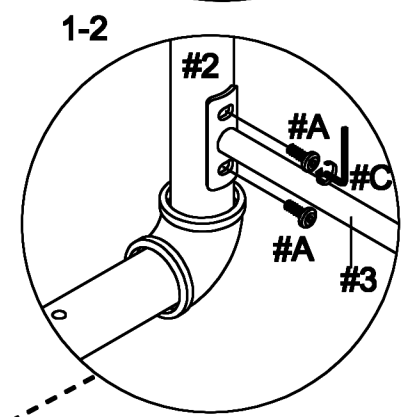
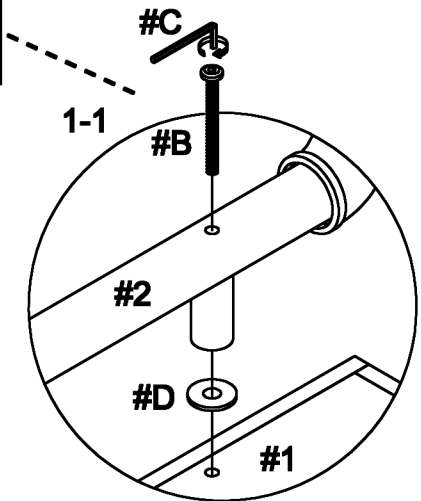
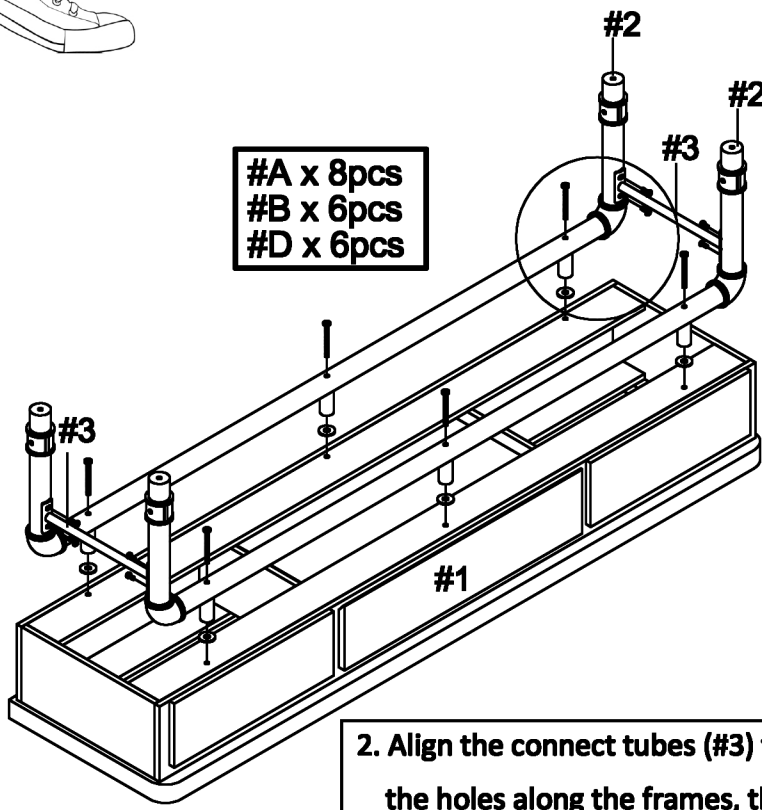
#5 x 4pcs
Adjustable Foot



#E x 4pcs
Floor Protector



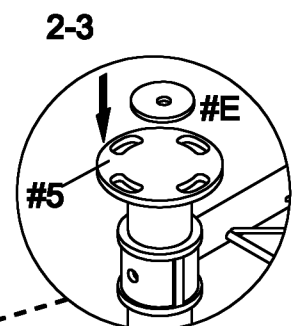
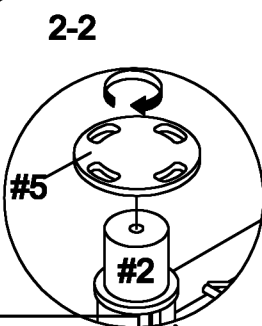
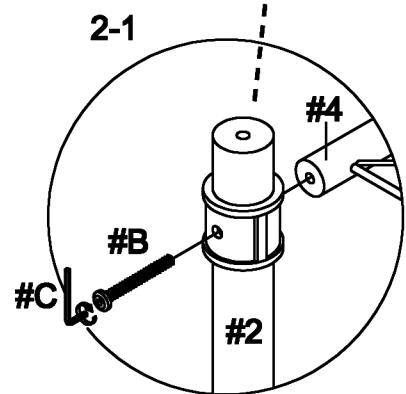
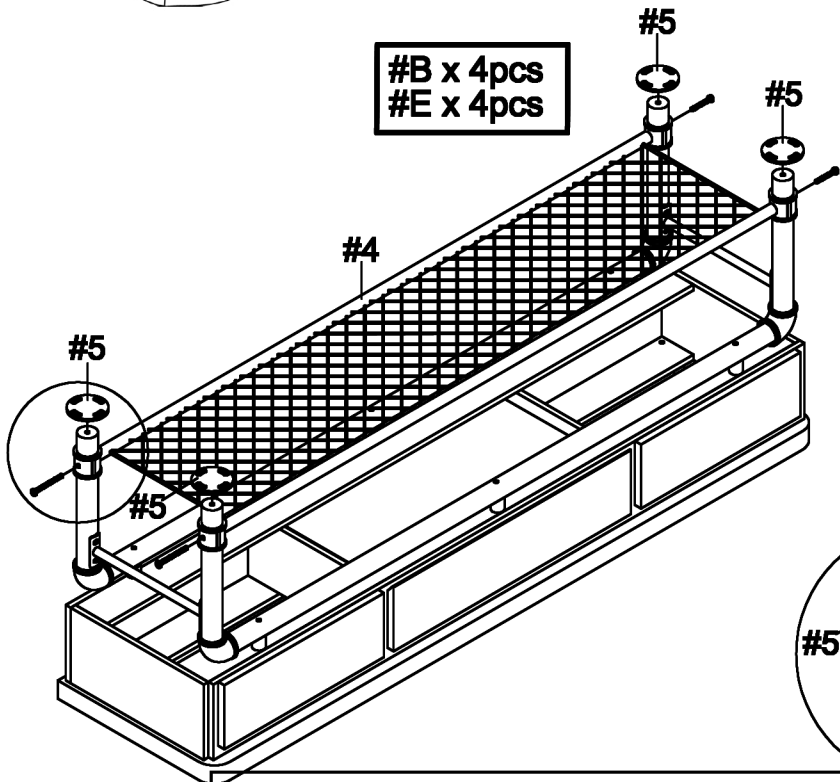
1. Align a washer (#D) then the support frames (#2), insert a bolt (#B) into each and secure.



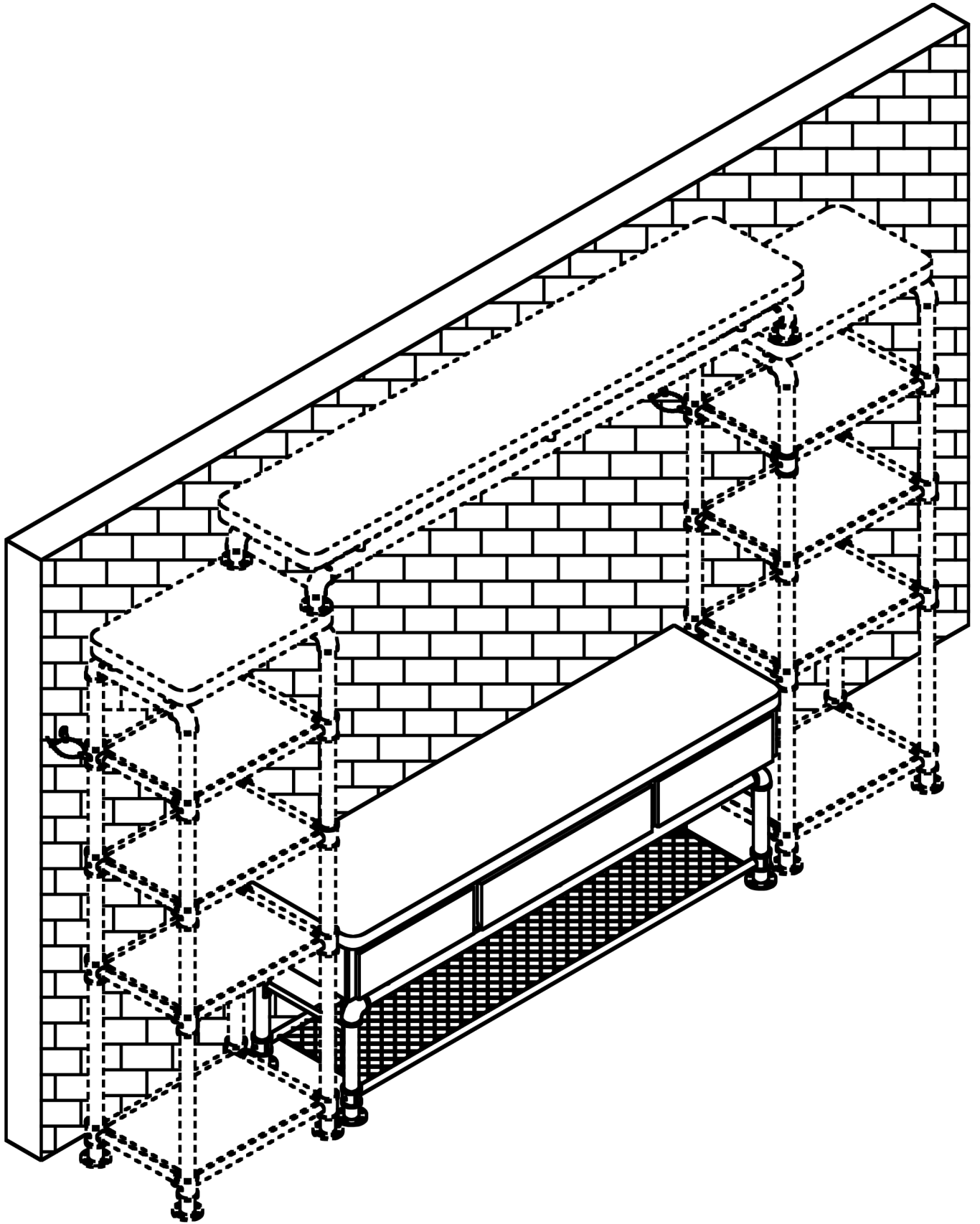
2. Align the connect tubes (#3) to the holes along the frames, then insert the bolts (#A) and secure.



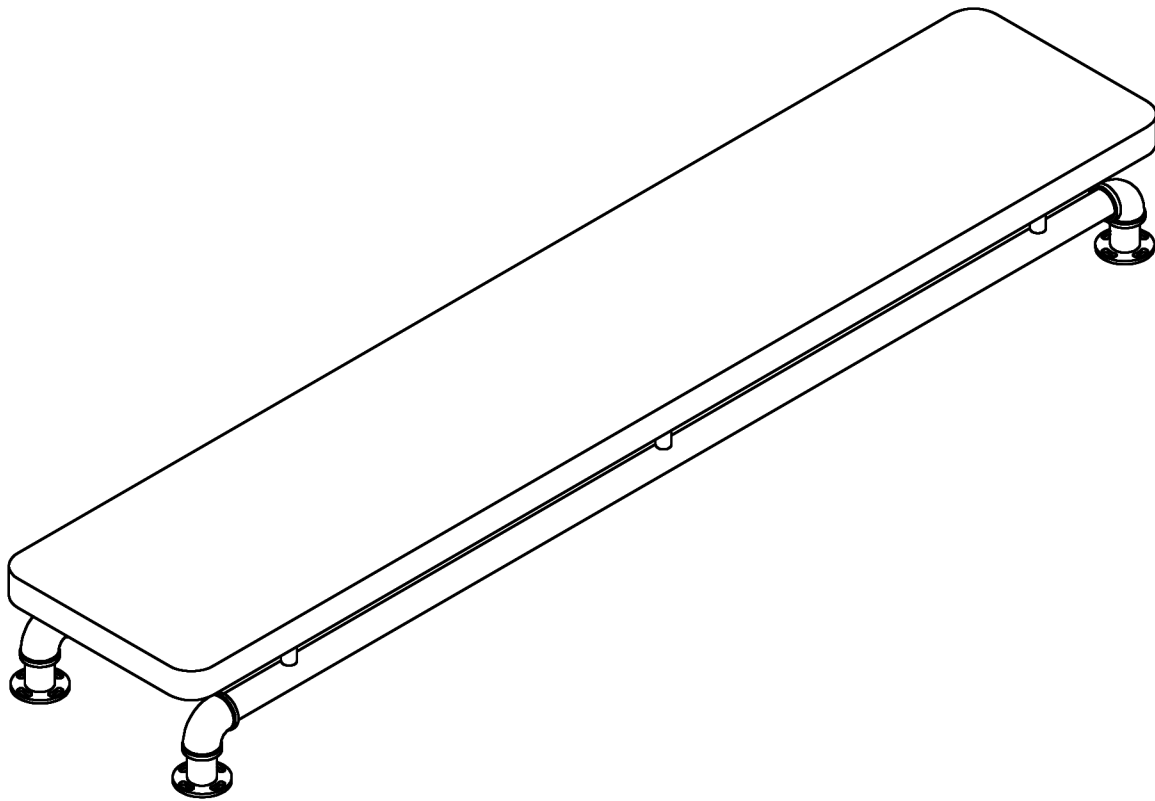
1. Align the shelf (#4) to the to the holes along the frame ends. Insert a bolt (#B) and secure.



2. Insert the adjustable feet (#5), turn right to tighten. Then place a floor protector (#E) onto each.



Assembly Instructions



ASSEMBLY RATING

The Assembly Rating is a 5-point system that shows the degree of effort needed in assembling a specific product (with 1 being easy and 5 being difficult). For some products, two persons are recommended.

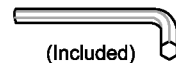
EASY



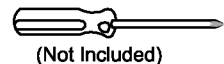
DIFFICULT

Tools Required For Assembly:

Allen Wrench



Phillips Screwdriver

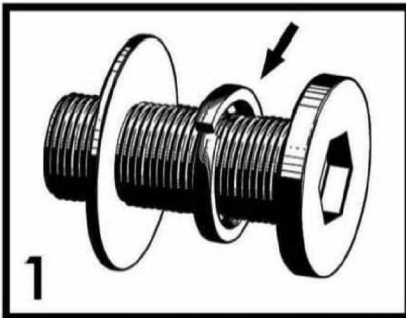


2 PERSONS RECOMMENDED

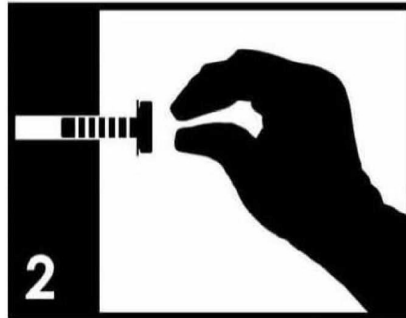
ASSEMBLY & CARE ADVICE

FOR YOUR FURNITURE TO LAST, CORRECT ASSEMBLY AND PROPER MAINTENANCE ARE NECESSARY. PLEASE FOLLOW THE INFORMATION PROVIDED BELOW TO FULLY ENJOY YOUR FURNITURE.

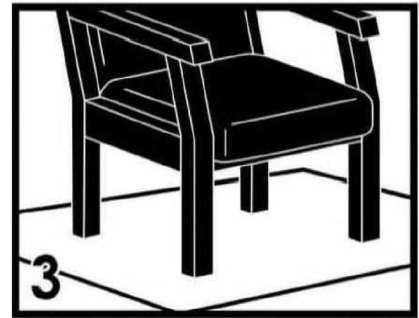
BASIC ASSEMBLY TECHNIQUES



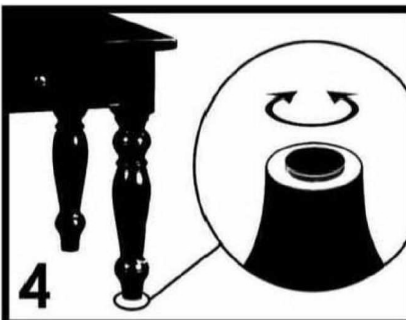
1
When lock or spring washer is used in an assembly, please make sure the lock or spring washer is placed between the larger flat washer and the head of the screw or bolt.



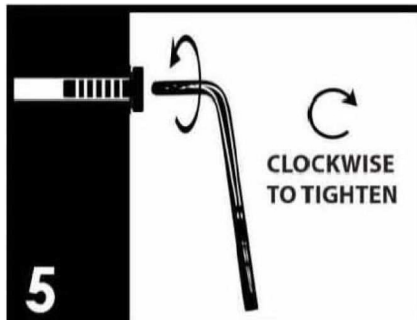
2
Position each part correctly and insert screws or bolts into their respective holes by hand tighten or using the proper hand tool. Only tighten when step is completed or when instructed to do so.



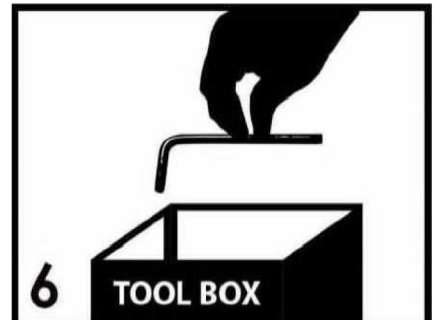
3
Use cardboard or carpet area when assembling furniture to prevent scratches. Make sure the furniture rests on a flat and level surface with each leg evenly touching the floor.



4
Some furniture comes with height adjustment knobs underneath each leg. To lower or to raise each leg, you need to turn clockwise or counterclockwise, respectively.



5
Make sure all parts are properly aligned, then use the appropriate hand tool to completely tighten the bolts or screws. Do not use power tools and do not overtighten.

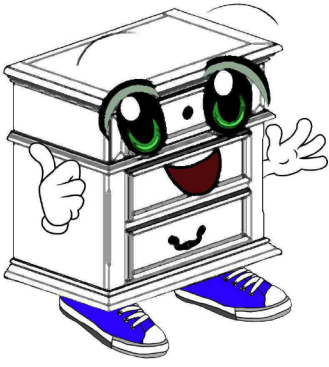


6
Save the instructions and store the Allen wrench or any supplied tool for later maintenance. After two weeks, check and tighten any loose hardware and repeat again every six months thereafter.

IT IS THE USER'S RESPONSIBILITY TO MAINTAIN THE FURNITURE. THE HARDWARE MAY LOOSEN OVER TIME AND MAY CAUSE THE FURNITURE TO BE WOBBLY AND UNABLE TO SUPPORT ITS INTENDED WEIGHT CAPACITY. THIS MAY LEAD TO COLLAPSE AND MAY CAUSE SERIOUS INJURY.



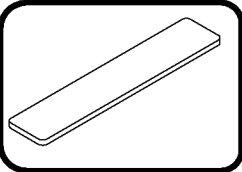
FAILURE TO FOLLOW THE GUIDELINES ABOVE MAY RESULT IN INJURY AND/OR PROPERTY DAMAGE.



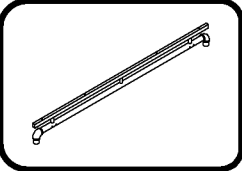
Before you begin, please read Page 2 of "Assembly and Care Advice".

And remember, do not tighten until each step is completed or instructed.

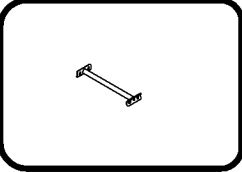
Parts List



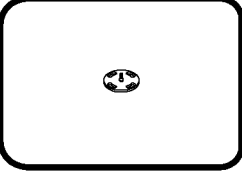
#1 x 1pc
Top Panel



#2 x 2pcs
Support Frame

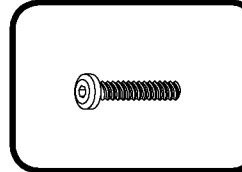


#3 x 2pcs
Connect Tube

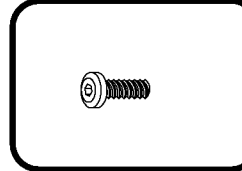


#4 x 4pcs
Adjustable Foot

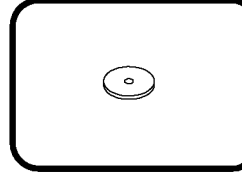
Hardware List



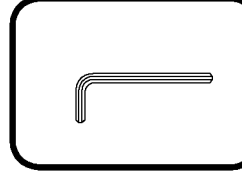
#A x 8pcs
Bolt 1/4" X 1-5/8"



#B x 8pcs
Bolt 1/4" X 5/8"



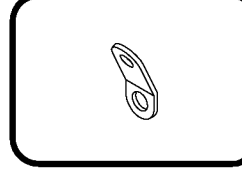
#C x 4pcs
Floor Protector



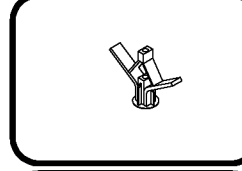
#D x 1pc
Allen Wrench M4



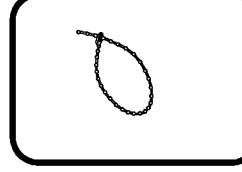
#E x 1pc
Screw M4 X 37



#F x 2pcs
Metal Plate



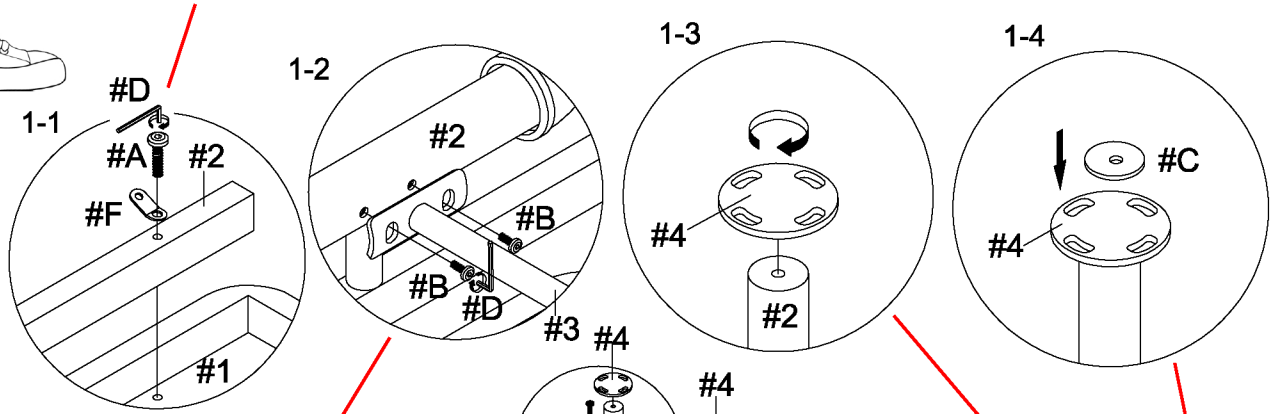
#G x 1pc
Bracket



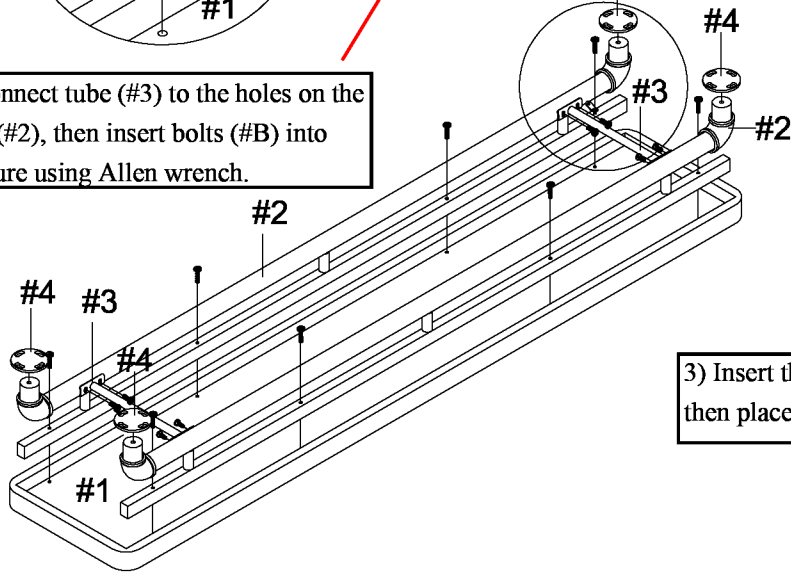
#H x 1pc
Gird



1) Align the support frame (#2) to the holes on the top panel (#1), then insert bolt (#A) into each hole. Secure using the Allen wrench.



2) Align the connect tube (#3) to the holes on the support frame (#2), then insert bolts (#B) into each hole. Secure using Allen wrench.

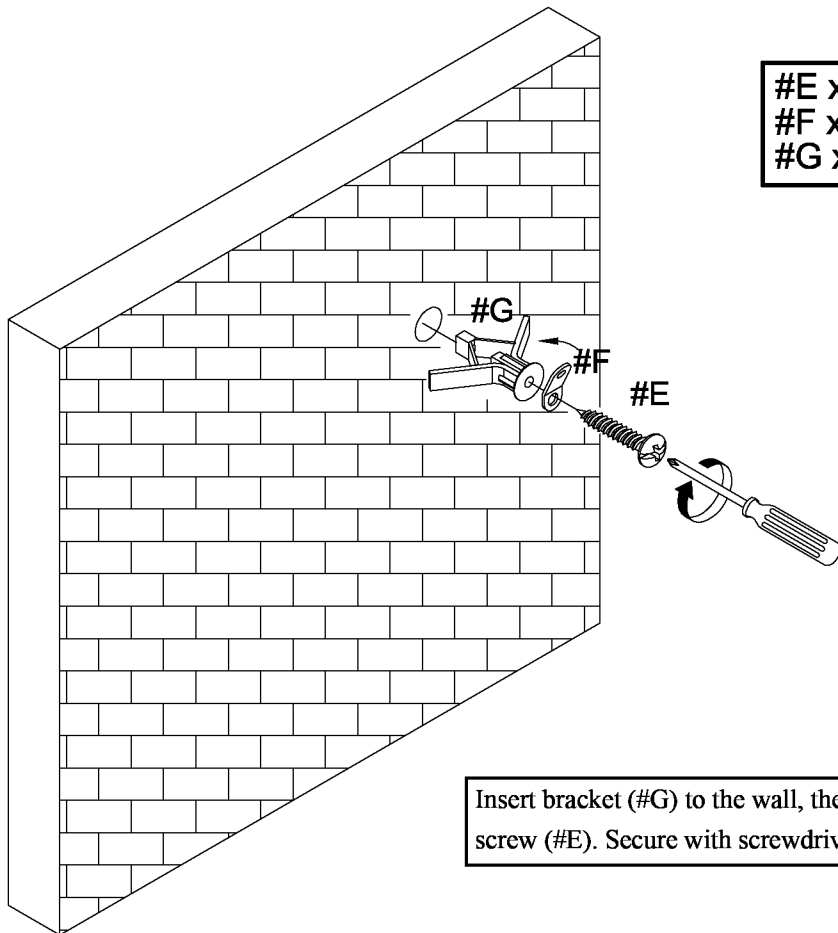


#A x 8pcs
#B x 8pcs
#C x 4pcs
#F x 1pc

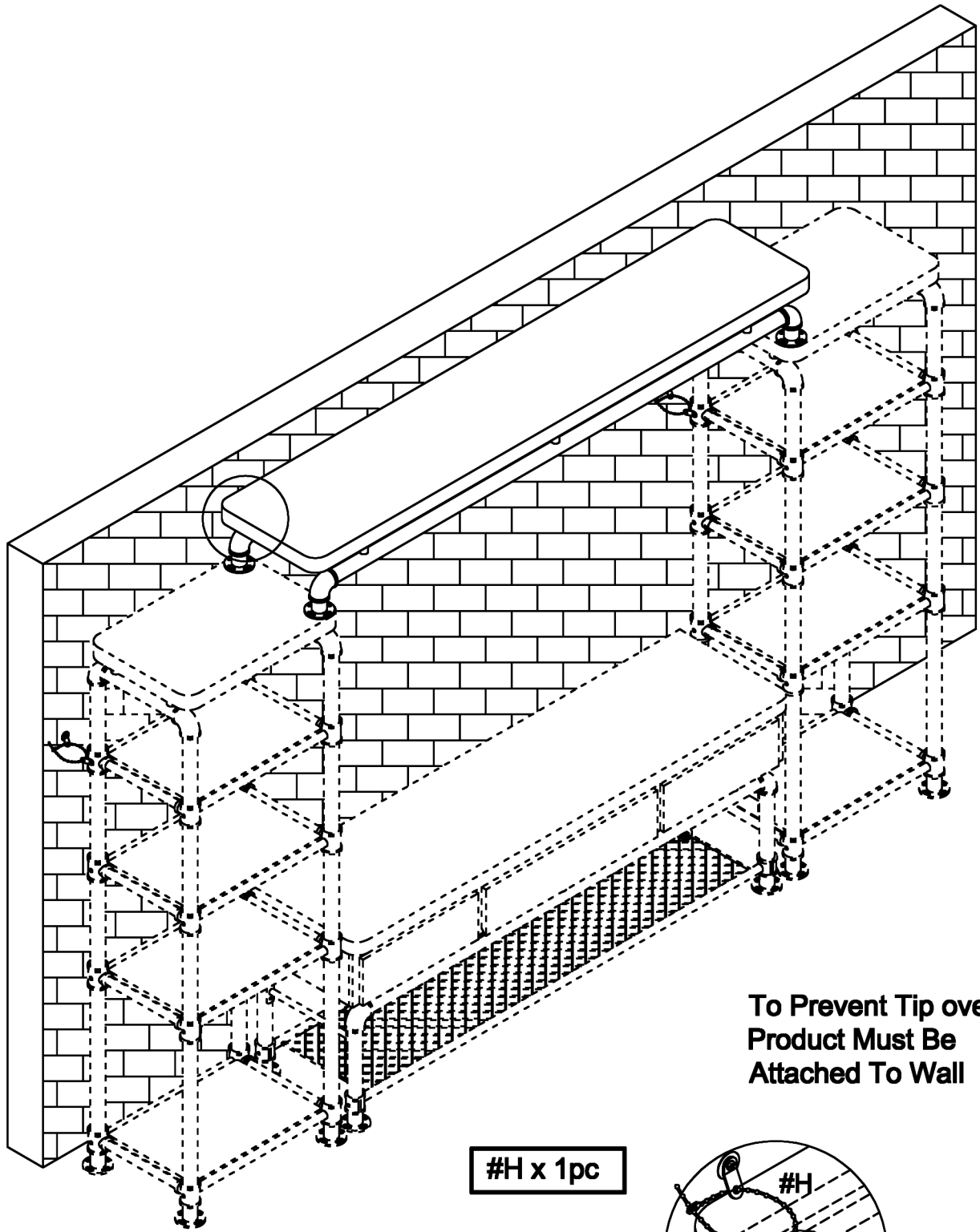
3) Insert the adjustable foot (#4) to support frame (#2), then place floor protector (#C) on it.



#E x 1pc
#F x 1pc
#G x 1pc

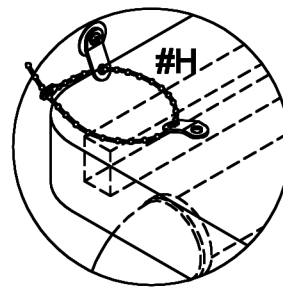


Insert bracket (#G) to the wall, then put metal plate (#F) onto screw (#E). Secure with screwdriver.

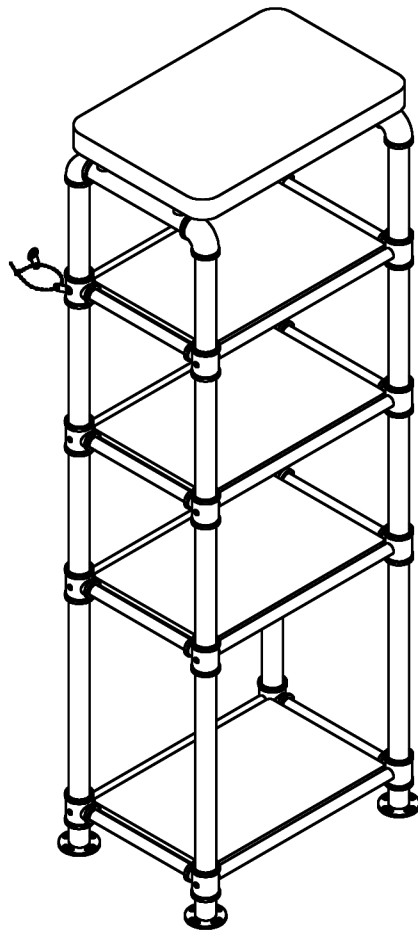


To Prevent Tip over
Product Must Be
Attached To Wall

#H x 1pc



Assembly Instructions



ASSEMBLY RATING

The Assembly Rating is a 5-point system that shows the degree of effort needed in assembling a specific product (with 1 being easy and 5 being difficult). For some products, two persons are recommended.

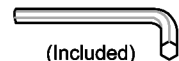
EASY



DIFFICULT

Tools Required For Assembly:

Allen Wrench



(Included)

Phillips Screwdriver



(Not Included)

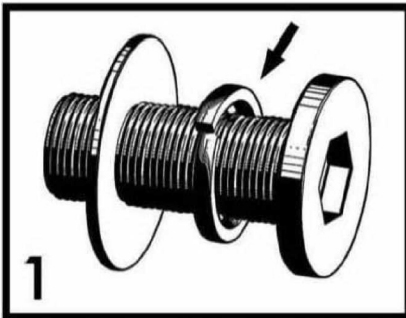


2 PERSONS RECOMMENDED

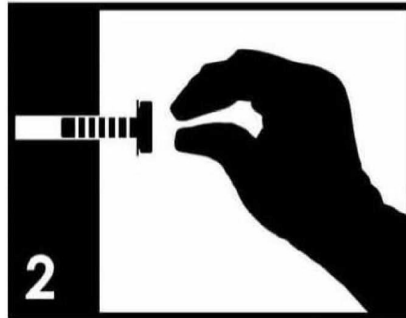
ASSEMBLY & CARE ADVICE

FOR YOUR FURNITURE TO LAST, CORRECT ASSEMBLY AND PROPER MAINTENANCE ARE NECESSARY. PLEASE FOLLOW THE INFORMATION PROVIDED BELOW TO FULLY ENJOY YOUR FURNITURE.

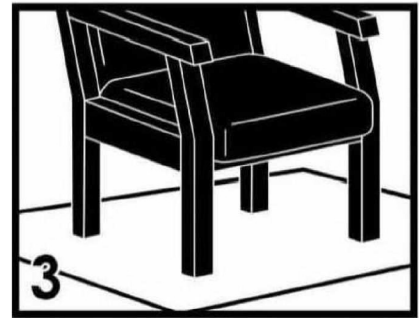
BASIC ASSEMBLY TECHNIQUES



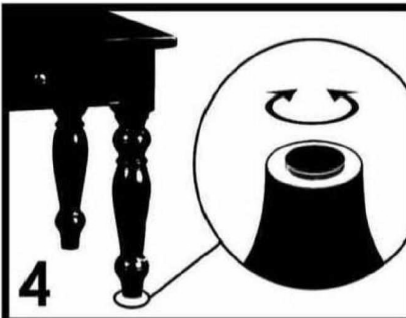
When lock or spring washer is used in an assembly, please make sure the lock or spring washer is placed between the larger flat washer and the head of the screw or bolt.



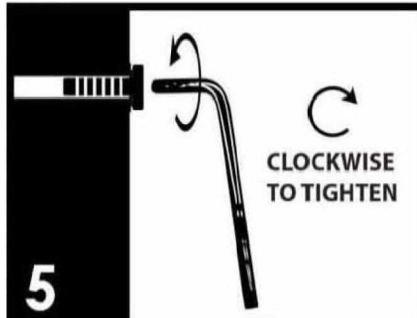
Position each part correctly and insert screws or bolts into their respective holes by hand tighten or using the proper hand tool. Only tighten when step is completed or when instructed to do so.



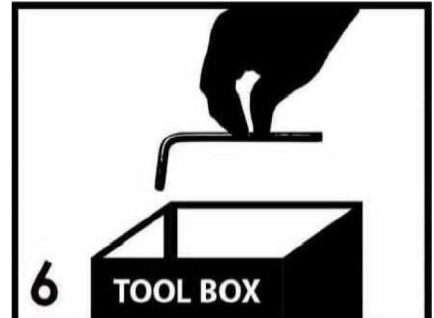
Use cardboard or carpet area when assembling furniture to prevent scratches. Make sure the furniture rests on a flat and level surface with each leg evenly touching the floor.



Some furniture comes with height adjustment knobs underneath each leg. To lower or to raise each leg, you need to turn clockwise or counterclockwise, respectively.



Make sure all parts are properly aligned, then use the appropriate hand tool to completely tighten the bolts or screws. Do not use power tools and do not overtighten.

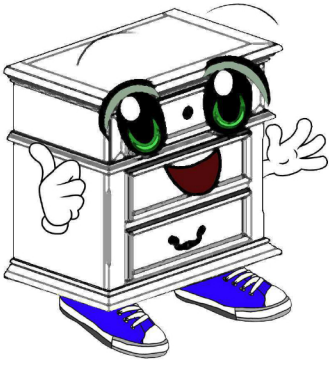


Save the instructions and store the Allen wrench or any supplied tool for later maintenance. After two weeks, check and tighten any loose hardware and repeat again every six months thereafter.

IT IS THE USER'S RESPONSIBILITY TO MAINTAIN THE FURNITURE. THE HARDWARE MAY LOOSEN OVER TIME AND MAY CAUSE THE FURNITURE TO BE WOBBLY AND UNABLE TO SUPPORT ITS INTENDED WEIGHT CAPACITY. THIS MAY LEAD TO COLLAPSE AND MAY CAUSE SERIOUS INJURY.



FAILURE TO FOLLOW THE GUIDELINES ABOVE MAY RESULT IN INJURY AND/OR PROPERTY DAMAGE.



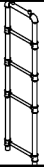
Before you begin, please read Page 2 of "Assembly and Care Advice".

And remember, do not tighten until each step is completed or instructed.

Parts List



#1 x 1pc
Top Panel



#2 x 2pcs
Side Frame



#3 x 4pcs
Shelf



#4 x 4pcs
Adjust Foot

Hardware List



#A x 20pcs
Bolt 1/4" X 3"



#B x 4pcs
Washer



#C x 4pcs
Floor Protector



#D x 1pc
Allen Wrench M4



#E x 1pc
Screw M4 X 37



#F x 2pcs
Bracket



#G x 1pc
Anchor



#H x 1pc
Gird

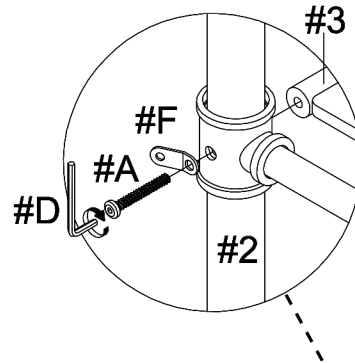
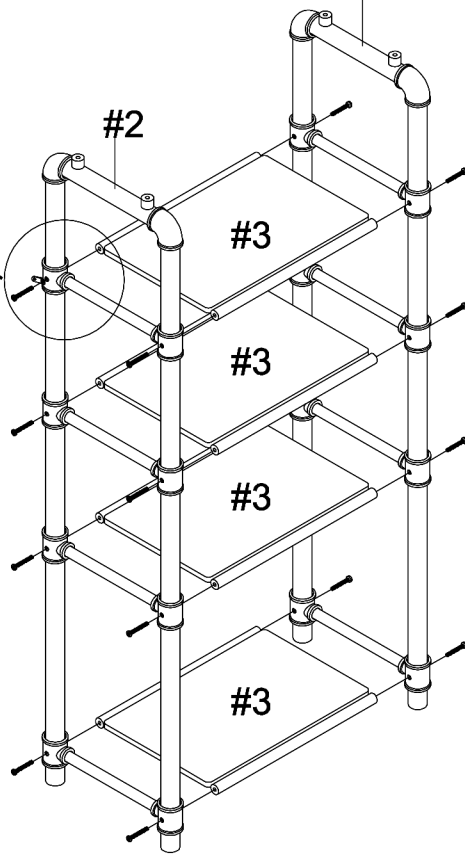


#1

#2

#A x 16pcs
#F x 1pc

Note, insert the bracket (#F) into this bolt.



Align the shelves (#3) to the holes along the side frames (#2), then insert a bolt (#A) into each hole. Secure using the Allen wrench.

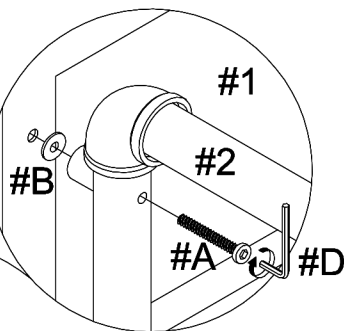


#2

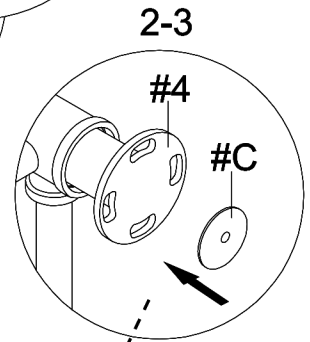
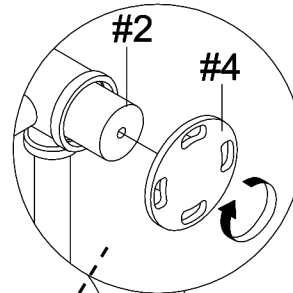
2-1

2-2

#A x 4pcs
#B x 4pcs
#C x 4pcs

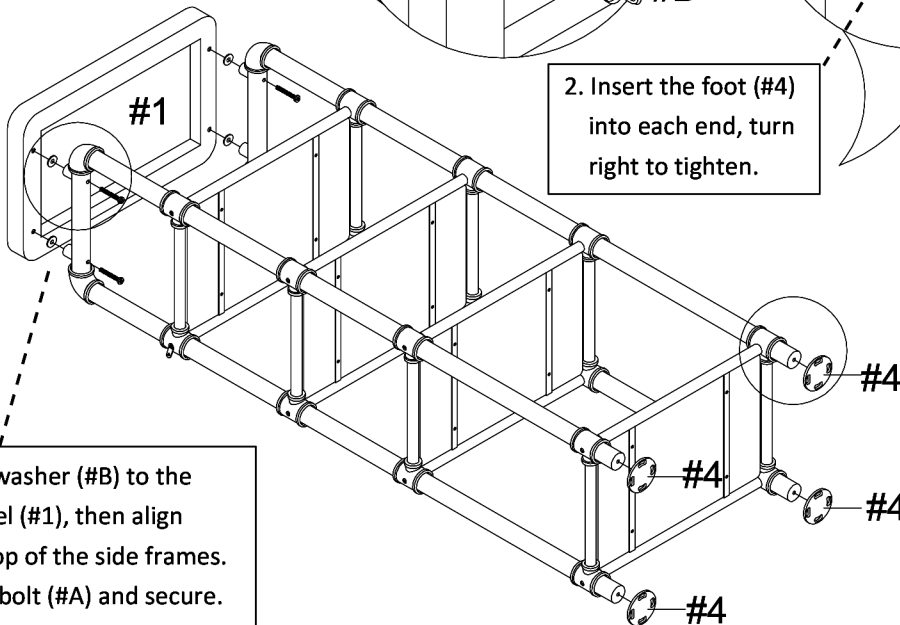


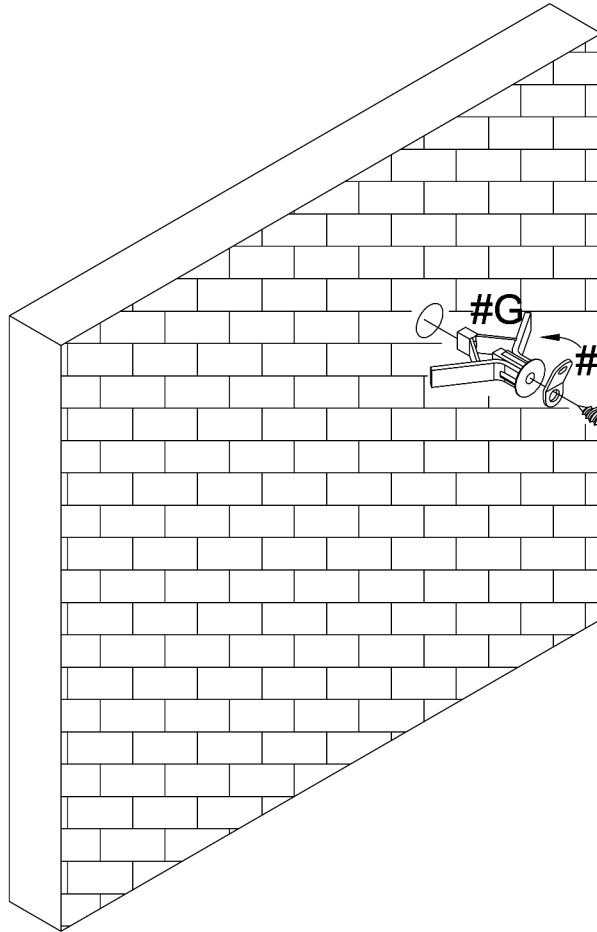
2. Insert the foot (#4) into each end, turn right to tighten.



3. Apply a floor protector (#C) onto each foot (#4).

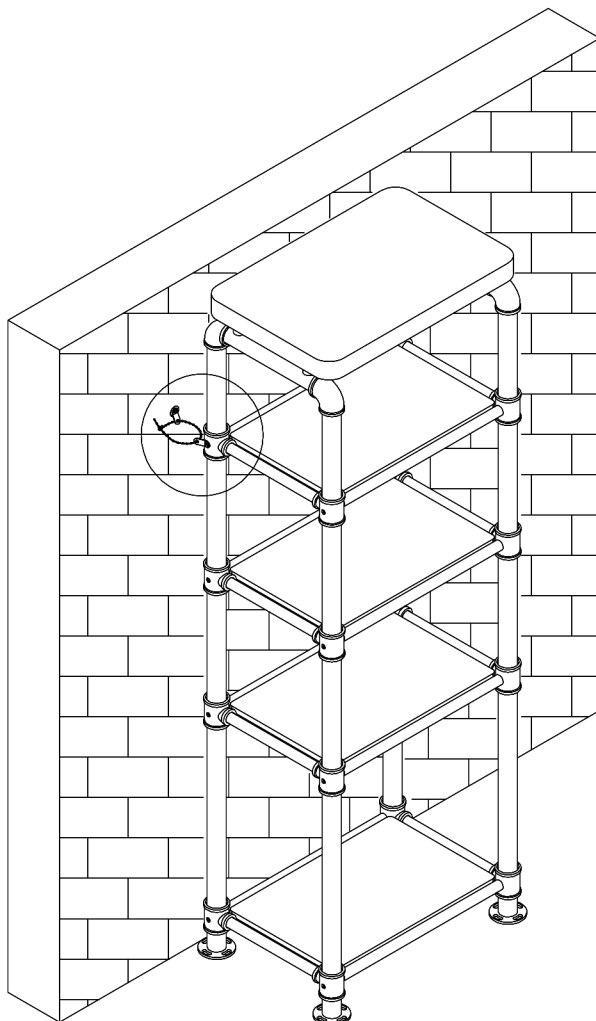
1. Align a washer (#B) to the top panel (#1), then align to the top of the side frames. Insert a bolt (#A) and secure.





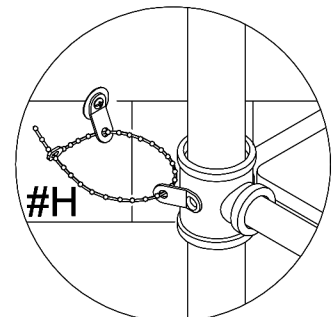
#E x 1pc
#F x 1pc
#G x 1pc

1. Drill a hole slightly smaller than the anchor (#G), then insert the anchor until secured.
2. Align a bracket (#F) to the anchor, then insert a screw (#E). Secure using a screwdriver.



#H x 1pc

To Prevent Tip over
Product Must Be
Attached To Wall



Insert the girder (#H) into the
brackets, adjust as needed.

