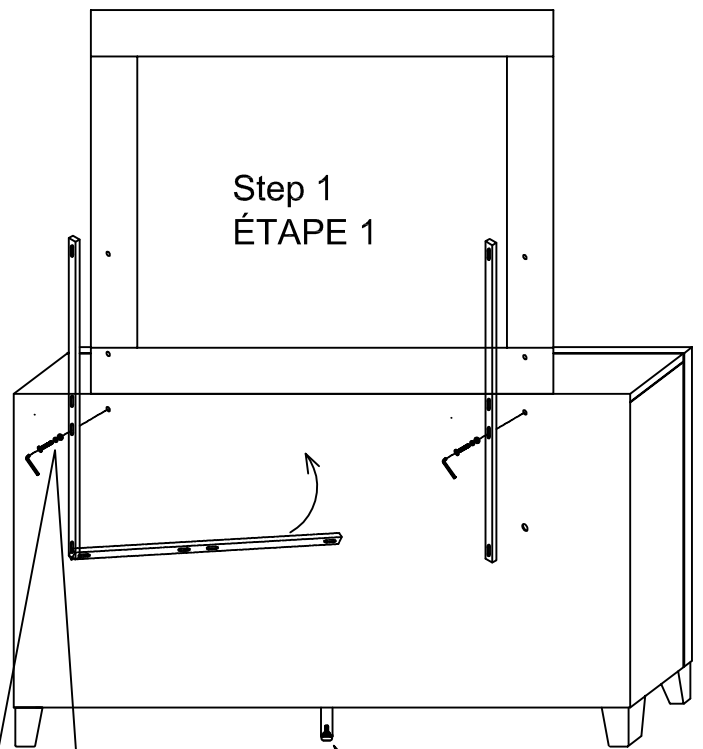
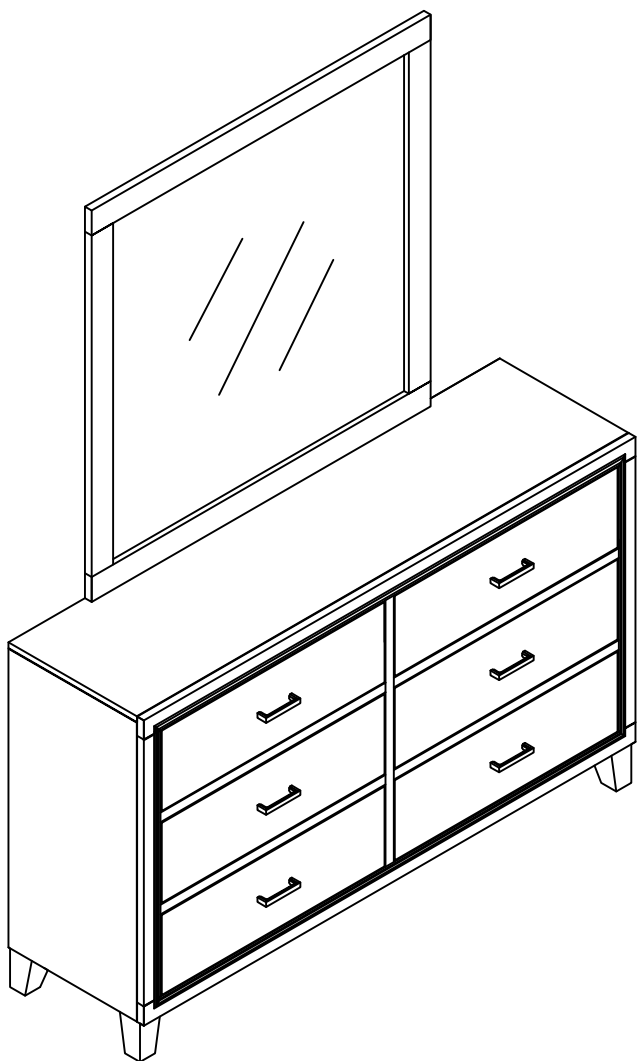
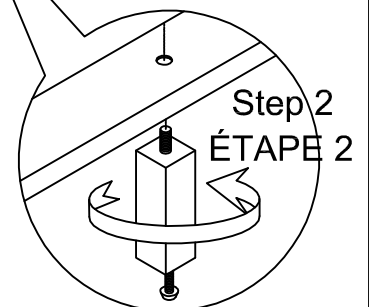
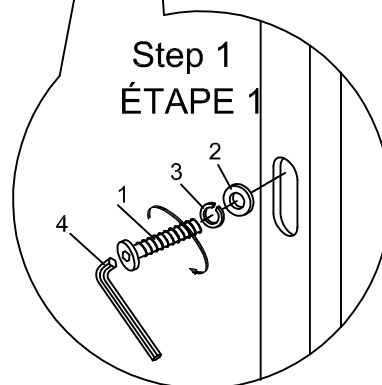


# ASSEMBLY INSTRUCTIONS





## DRESSER&MIRROR



Bottom view



Adjustable Leveler

No.		Hardware list/hardware list / liste de matériel	Q'ty
1		1/4"*35 JCBC Bolt / Boulons	6pcs
2		1/4" Spring washer / Bondir des Rondelles	6pcs
3		1/4" Flat washer / Rondelles plates	6pcs
4		1/4" Allen Key / L'Allen Clé	1pc