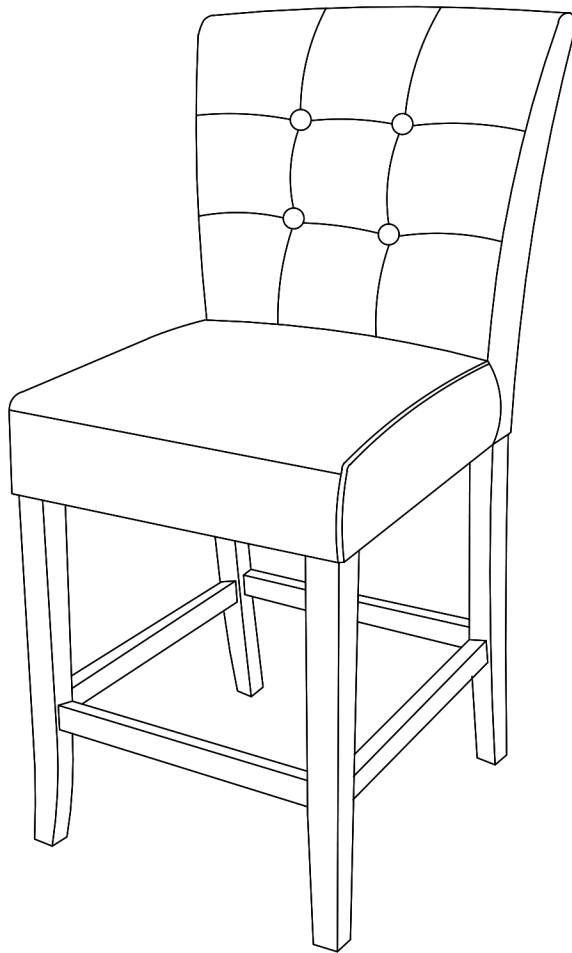
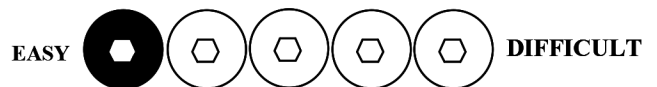


# Assembly Instructions






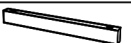
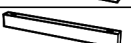
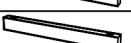
## ASSEMBLY RATING

The Assembly Rating is a 5-point system that shows the degree of effort needed in assembling a specific product (with 1 being easy and 5 being relatively difficult). For some products, two persons are recommended.





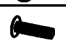

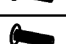



**Do not tighten screws until completely assembled.**

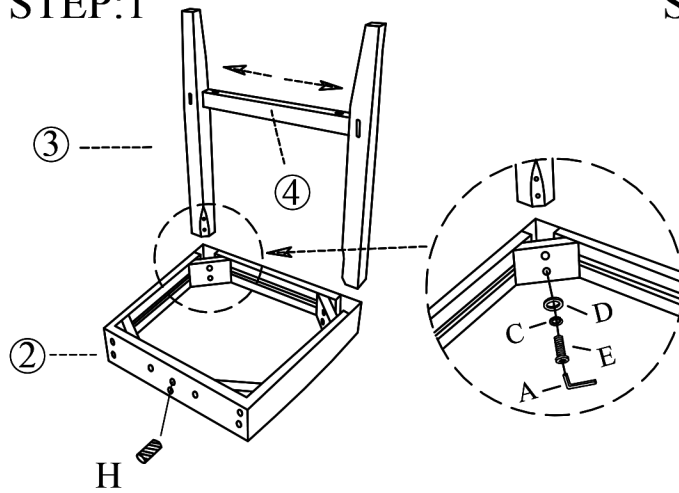
PARTS IDENTIFICATION

| NO | Part            | Sketch  | Quantity |
|----|-----------------|---|----------|
| 1  | Back            |  | 1PC      |
| 2  | Seat Frame      |  | 1PC      |
| 3  | Front Legs      |  | 2PCS     |
| 4  | Front Stretcher |  | 1PC      |
| 5  | Left Stretcher  |  | 1PC      |
| 6  | Right Stretcher |  | 1PC      |

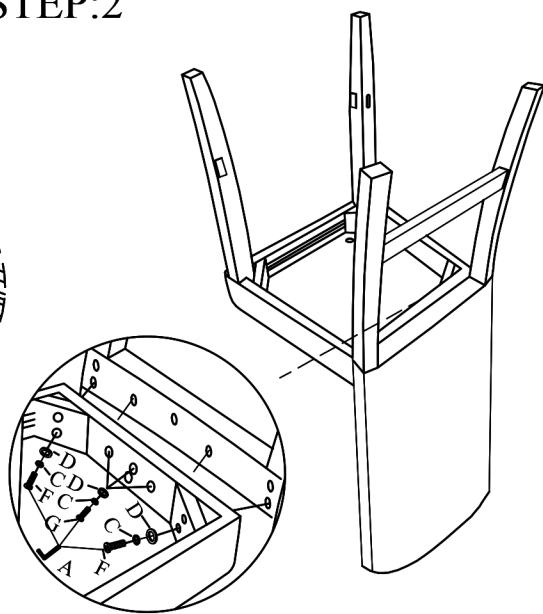
HARDWARE LIST

| NO | Shape   | Specification  | Quantity |
|----|---|----------------|----------|
| A  |  | Allen Wrench   | 1PC      |
| B  |  | (8#x1-1/2")    | 6PCS     |
| C  |  | (5/16")        | 11PCS    |
| D  |  | (5/16"x22MM)   | 11PCS    |
| E  |  | (5/16"x2-1/2") | 4PCS     |
| F  |  | (5/16"x3-1/2") | 4PCS     |
| G  |  | (5/16"x2-1/4") | 3PCS     |
| H  |  | (10*35MM)      | 1PC      |

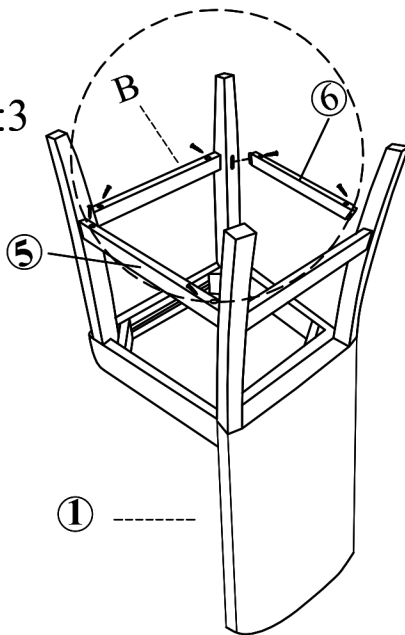
STEP:1



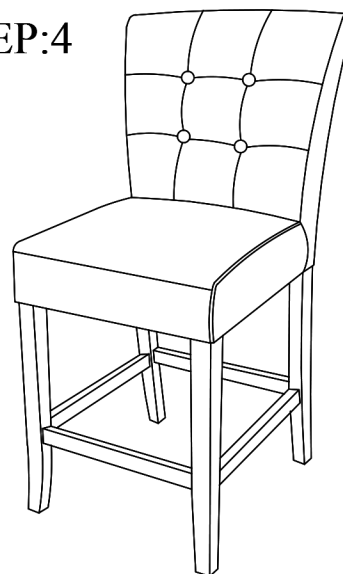
STEP:2



STEP:3



STEP:4



**Do not tighten screws until completely assembled.**