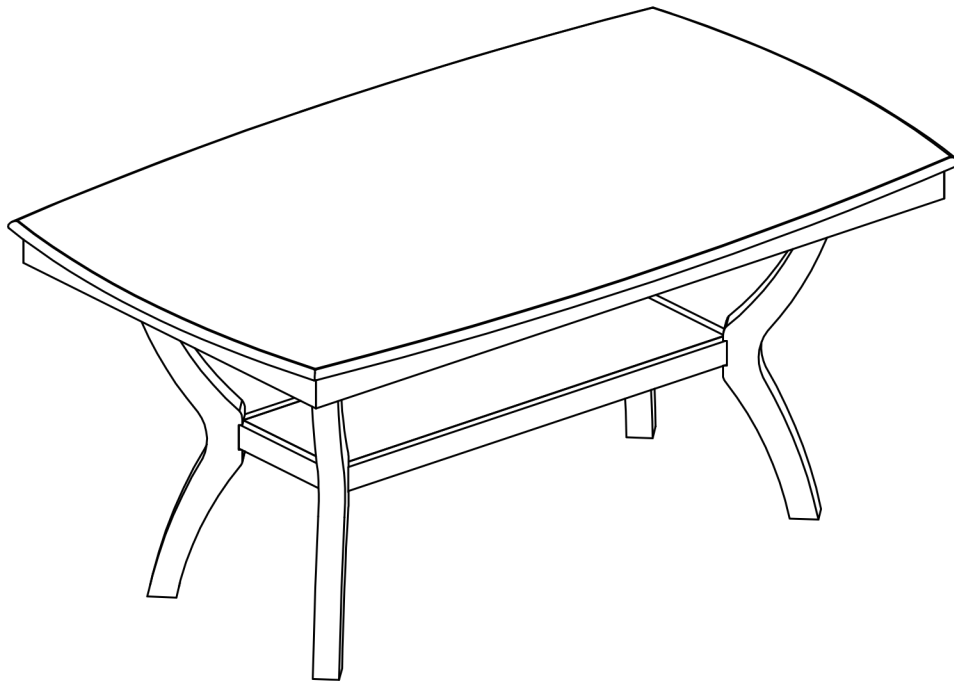


# Assembly Instructions



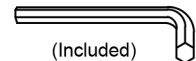
## ASSEMBLY RATING

The Assembly Rating is a 5-point system that shows the degree of effort needed in assembling a specific product (with 1 being easy and 5 being difficult). For some products, two persons are recommended.

EASY  DIFFICULT

## Tools Required For Assembly:

Allen Wrench



(Included)

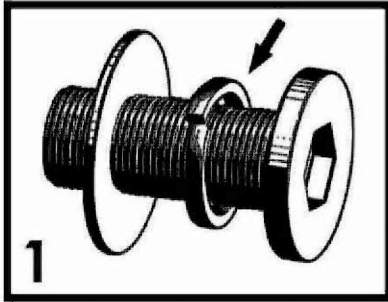


2 PERSONS RECOMMENDED

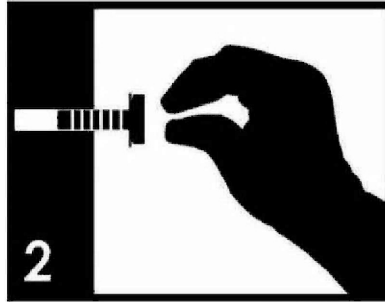
# ASSEMBLY & CARE ADVICE

FOR YOUR FURNITURE TO LAST, CORRECT ASSEMBLY AND PROPER MAINTENANCE ARE NECESSARY. PLEASE FOLLOW THE INFORMATION PROVIDED BELOW TO FULLY ENJOY YOUR FURNITURE.

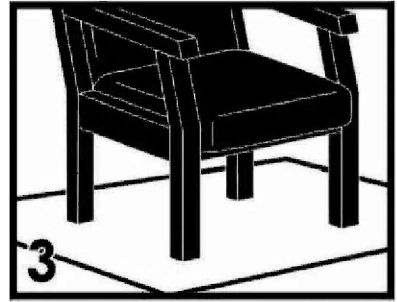
## BASIC ASSEMBLY TECHNIQUES



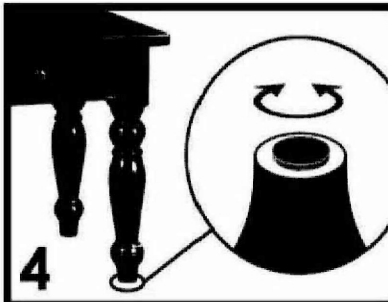
1  
When lock or spring washer is used in an assembly, please make sure the lock or spring washer is placed between the larger flat washer and the head of the screw or bolt.



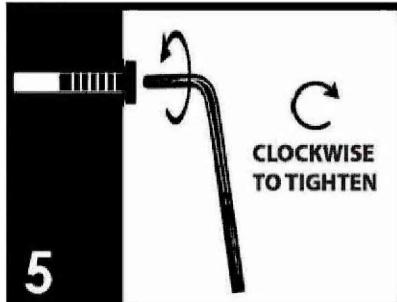
2  
Position each part correctly and insert screws or bolts into their respective holes by hand tighten or using the proper hand tool. Only tighten when step is completed or when instructed to do so.



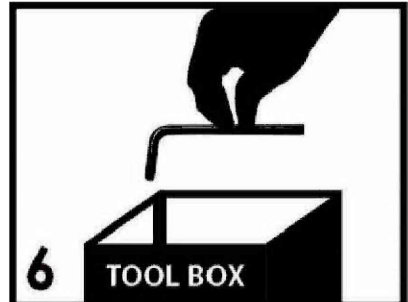
3  
Use cardboard or carpet area when assembling furniture to prevent scratches. Make sure the furniture rests on a flat and level surface with each leg evenly touching the floor. No dragging of products/parts.



4  
Some furniture comes with height adjustment knobs underneath each leg. To lower or to raise each leg, you need to turn clockwise or counterclockwise, respectively.



5  
Make sure all parts are properly aligned, then use the appropriate hand tool to completely tighten the bolts or screws. Do not use power tools and do not overtighten.

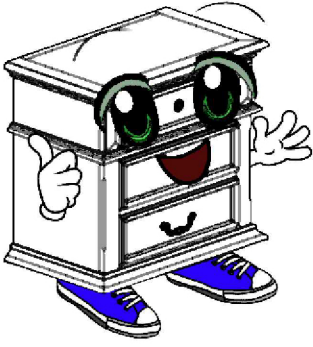


6  
Save the instructions and store the Allen wrench or any supplied tool for later maintenance. After two weeks, check and tighten any loose hardware and repeat again every six months thereafter.

IT IS THE USER'S RESPONSIBILITY TO MAINTAIN THE FURNITURE. THE HARDWARE MAY LOOSEN OVER TIME AND MAY CAUSE THE FURNITURE TO BE WOBBLY AND UNABLE TO SUPPORT ITS INTENDED WEIGHT CAPACITY. THIS MAY LEAD TO COLLAPSE AND MAY CAUSE SERIOUS INJURY.



**FAILURE TO FOLLOW THE GUIDELINES ABOVE MAY RESULT IN INJURY AND/OR PROPERTY DAMAGE.**


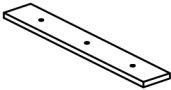









Before you begin, please read Page 2 of "Assembly and Care Advice".

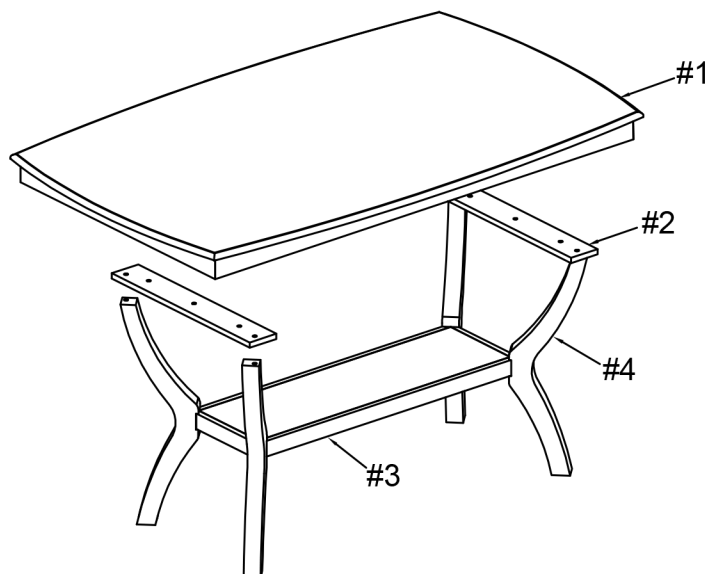
And remember, do not tighten until each step is completed or instructed.

### Parts List

### Hardware List

-  #1 x 1pc  
Table Top
-  #2 x 2pcs  
Frame
-  #3 x 1pc  
Shelf
-  #4 x 4pcs  
Leg

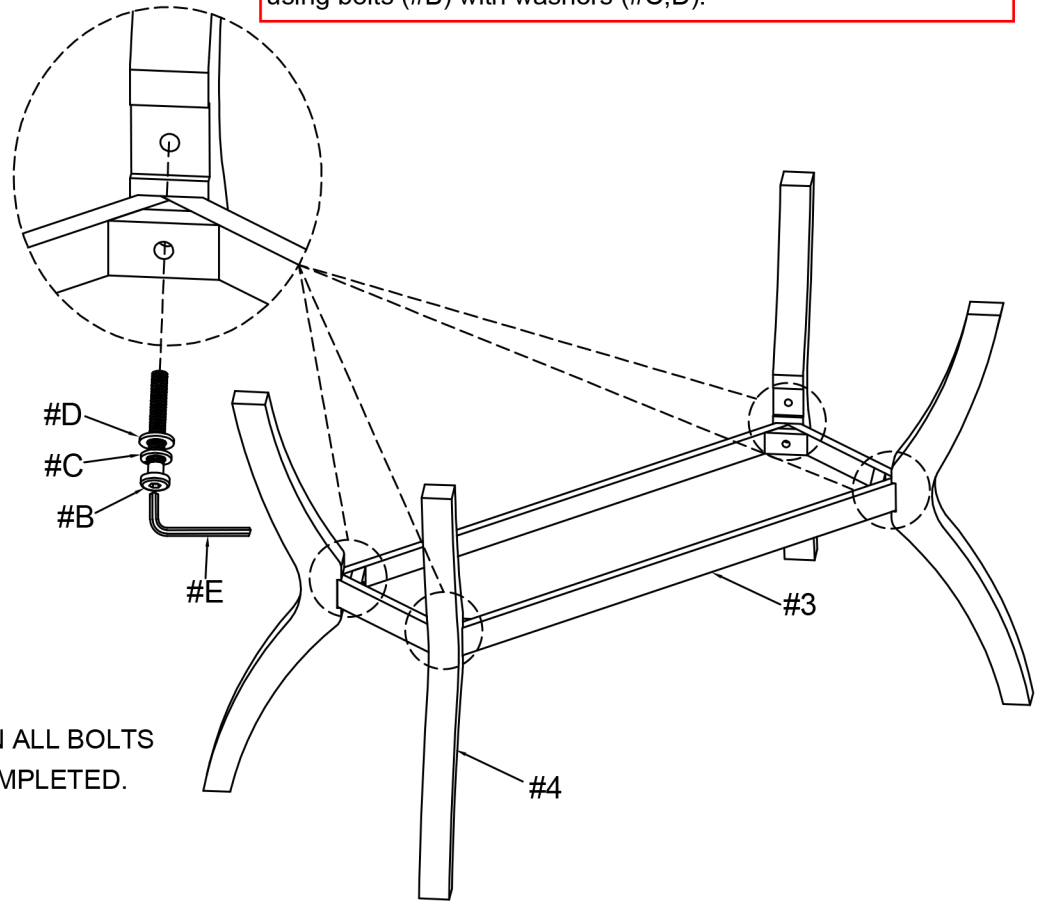
-  #A x 10pcs  
Bolt Ø5/16" x 1-1/2"
-  #B x 4pcs  
Bolt Ø5/16" x 2-3/4"
-  #C x 14pcs  
Lock Washer Ø5/16"
-  #D x 14pcs  
Flat Washer Ø5/16" x 19mm
-  #E x 1pc  
Allen Key M4





Align the legs (#4) to the holes of the shelf (#3), then secure by using bolts (#B) with washers (#C,D).

#B x 4pcs  
#C x 4pcs  
#D x 4pcs

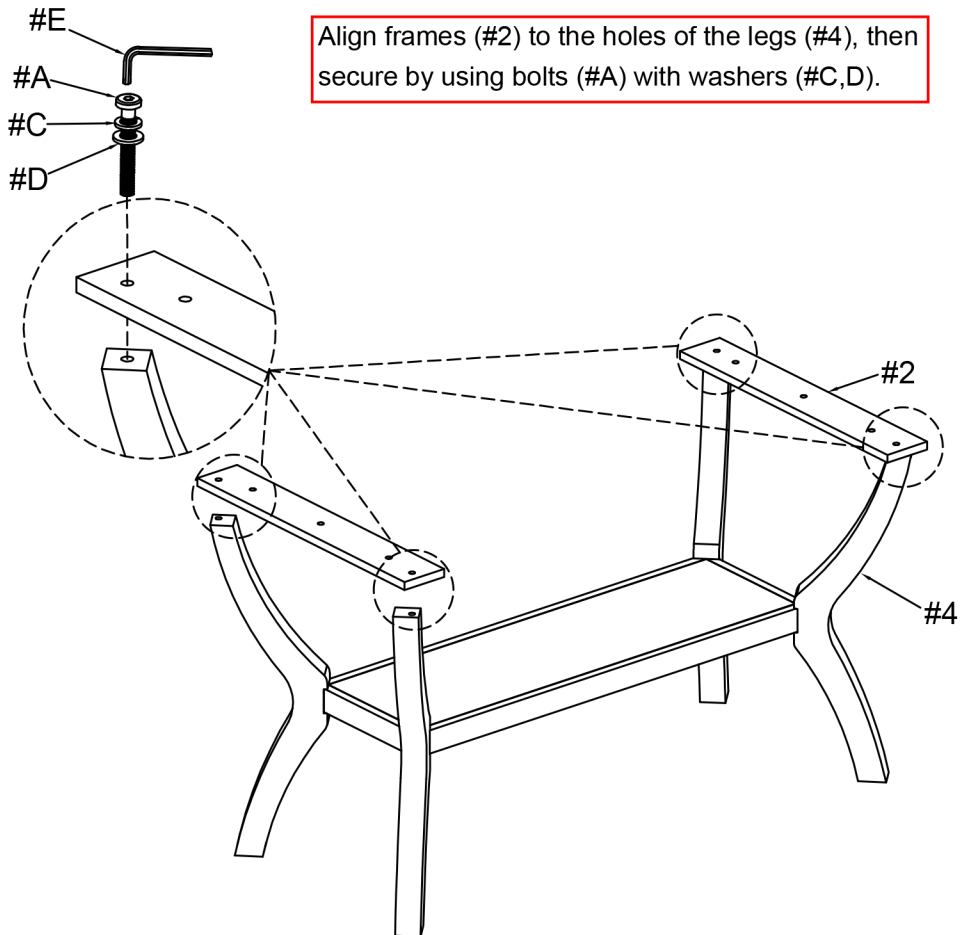


DO NOT FULLY TIGHTEN ALL BOLTS UNTIL ASSEMBLY IS COMPLETED.



Align frames (#2) to the holes of the legs (#4), then secure by using bolts (#A) with washers (#C,D).

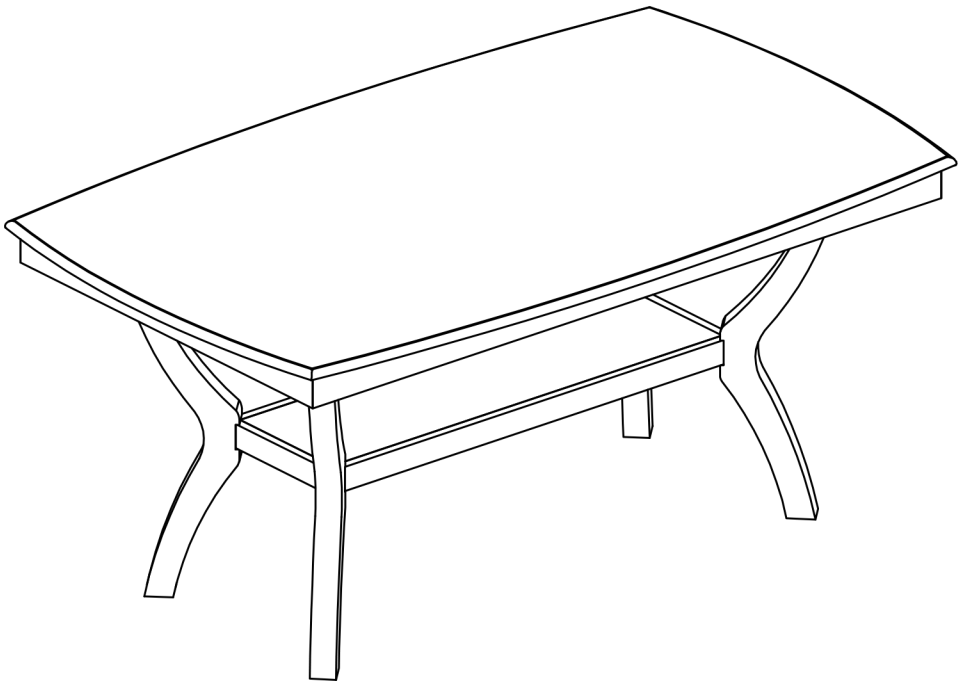
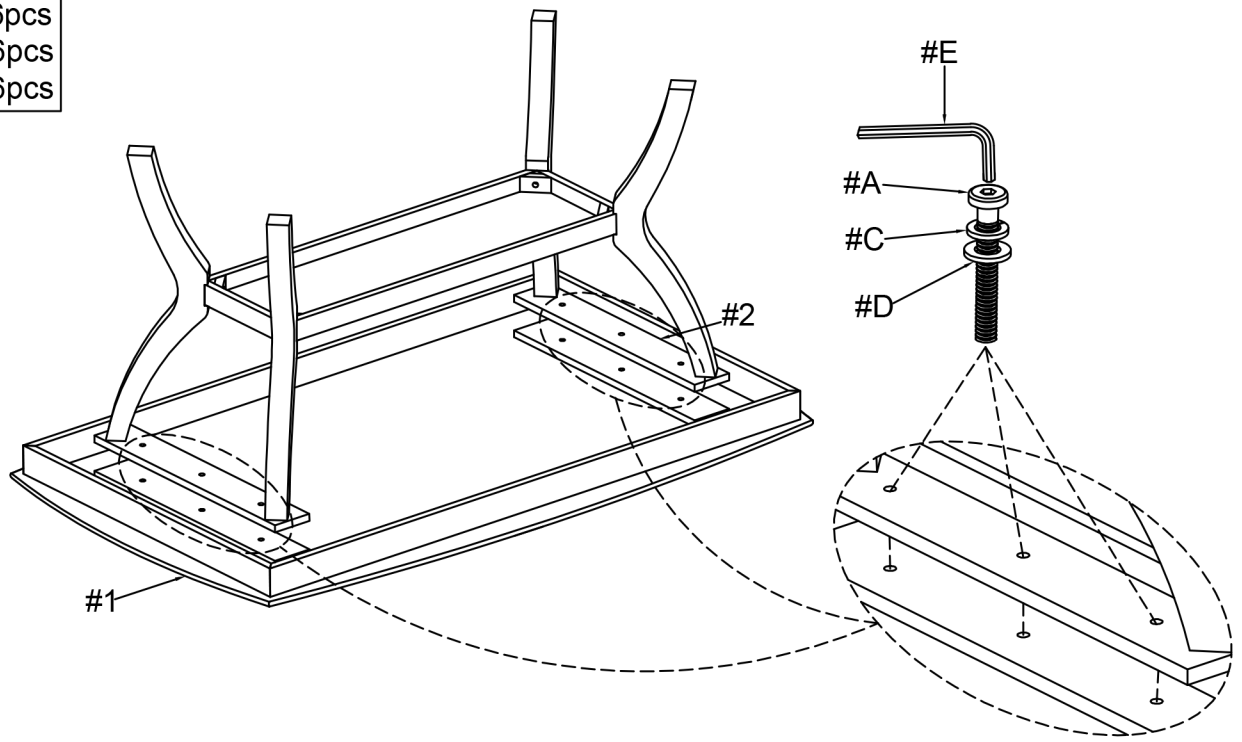
#A x 4pcs  
#C x 4pcs  
#D x 4pcs





Align frames (#2) to the holes of the table top (#1), then secure by using bolts (#A) with washers (#C,D).

- #A x 6pcs
- #C x 6pcs
- #D x 6pcs



ASSEMBLY IS COMPLETED