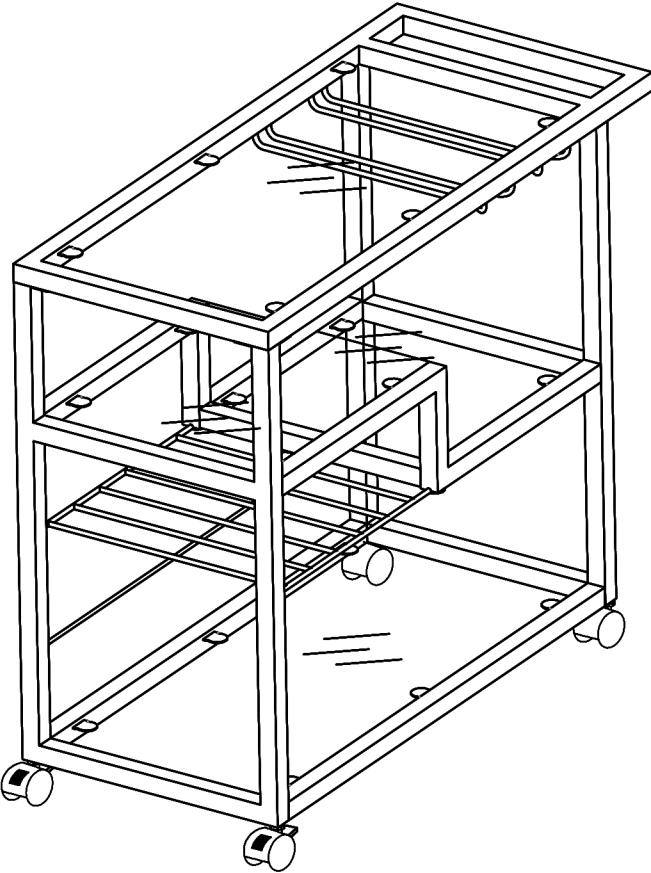


Assembly Instructions

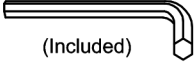


ASSEMBLY RATING

The Assembly Rating is a 5-point system that shows the degree of effort needed in assembling a specific product (with 1 being easy and 5 being difficult). For some products, two persons are recommended.

Tools Required For Assembly:

Allen Wrench



EASY



DIFFICULT



2 PERSONS RECOMMENDED

ASSEMBLY & CARE ADVICE

FOR YOUR FURNITURE TO LAST, CORRECT ASSEMBLY AND PROPER MAINTENANCE ARE NECESSARY. PLEASE FOLLOW THE INFORMATION PROVIDED BELOW TO FULLY ENJOY YOUR FURNITURE.

BASIC ASSEMBLY TECHNIQUES



When lock or spring washer is used in an assembly, please make sure the lock or spring washer is placed between the larger flat washer and the head of the screw or bolt.



Position each part correctly and insert screws or bolts into their respective holes by hand tighten or using the proper hand tool. Only tighten when step is completed or when instructed to do so.



Use cardboard or carpet area when assembling furniture to prevent scratches. Make sure the furniture rests on a flat and level surface with each leg evenly touching the floor.



Some furniture comes with height adjustment knobs underneath each leg. To lower or to raise each leg, you need to turn clockwise or counterclockwise, respectively.



Make sure all parts are properly aligned, then use the appropriate hand tool to completely tighten the bolts or screws. Do not use power tools and do not overtighten.



Save the instructions and store the Allen wrench or any supplied tool for later maintenance. After two weeks, check and tighten any loose hardware and repeat again every six months thereafter.

IT IS THE USER'S RESPONSIBILITY TO MAINTAIN THE FURNITURE. THE HARDWARE MAY LOOSEN OVER TIME AND MAY CAUSE THE FURNITURE TO BE WOBBLY AND UNABLE TO SUPPORT ITS INTENDED WEIGHT CAPACITY. THIS MAY LEAD TO COLLAPSE AND MAY CAUSE SERIOUS INJURY.



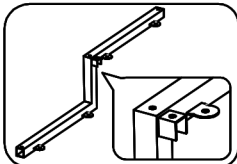
FAILURE TO FOLLOW THE GUIDELINES ABOVE MAY RESULT IN INJURY AND/OR PROPERTY DAMAGE.



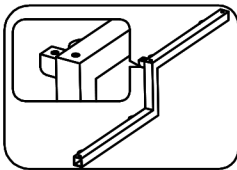
Before you begin, please read Page 2 of "Assembly and Care Advice".

And remember, do not tighten until each step is completed or instructed.

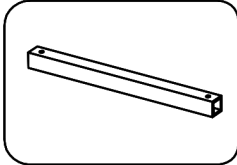
Parts List



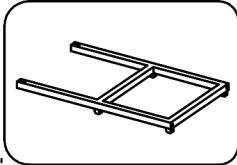
1 x 1pc
Stretcher 1



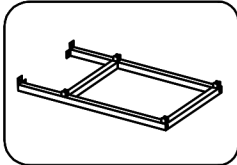
2 x 1pcs
Stretcher 2



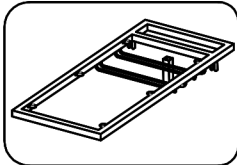
3 x 1pc
Crossbar 3



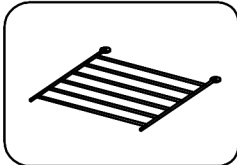
4 x 1pc
Black Frame



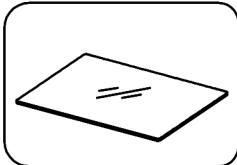
5 x 1pc
Front Frame



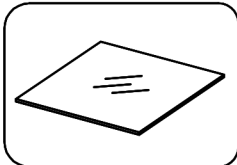
6 x 1pc
Top Frame



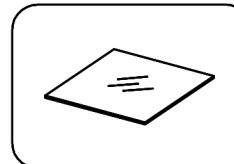
7 x 1pc
Shelf



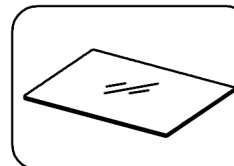
8 x 1pc
Top Glass



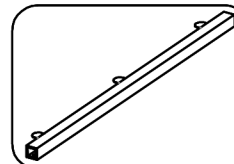
9 x 1pc
Shelf Glass A



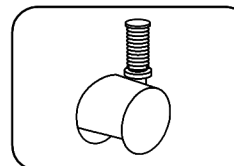
10 x 1pc
Shelf Glass B



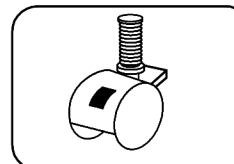
11 x 1pc
Bottom Glass



12 x 2pcs
Bottom Stretcher

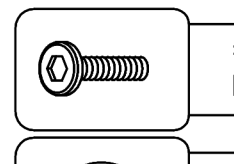


13 x 2pcs
Caster

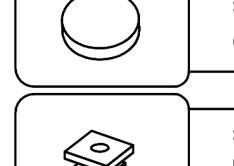


14 x 2pcs
Caster w/Brake

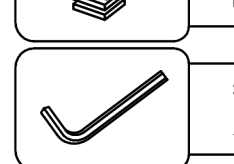
Hardware List



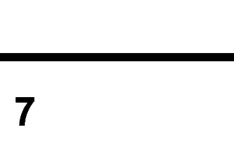
A x 18pcs
Bolt 1/4 x 12mm



B x 20pcs
Glass Tip

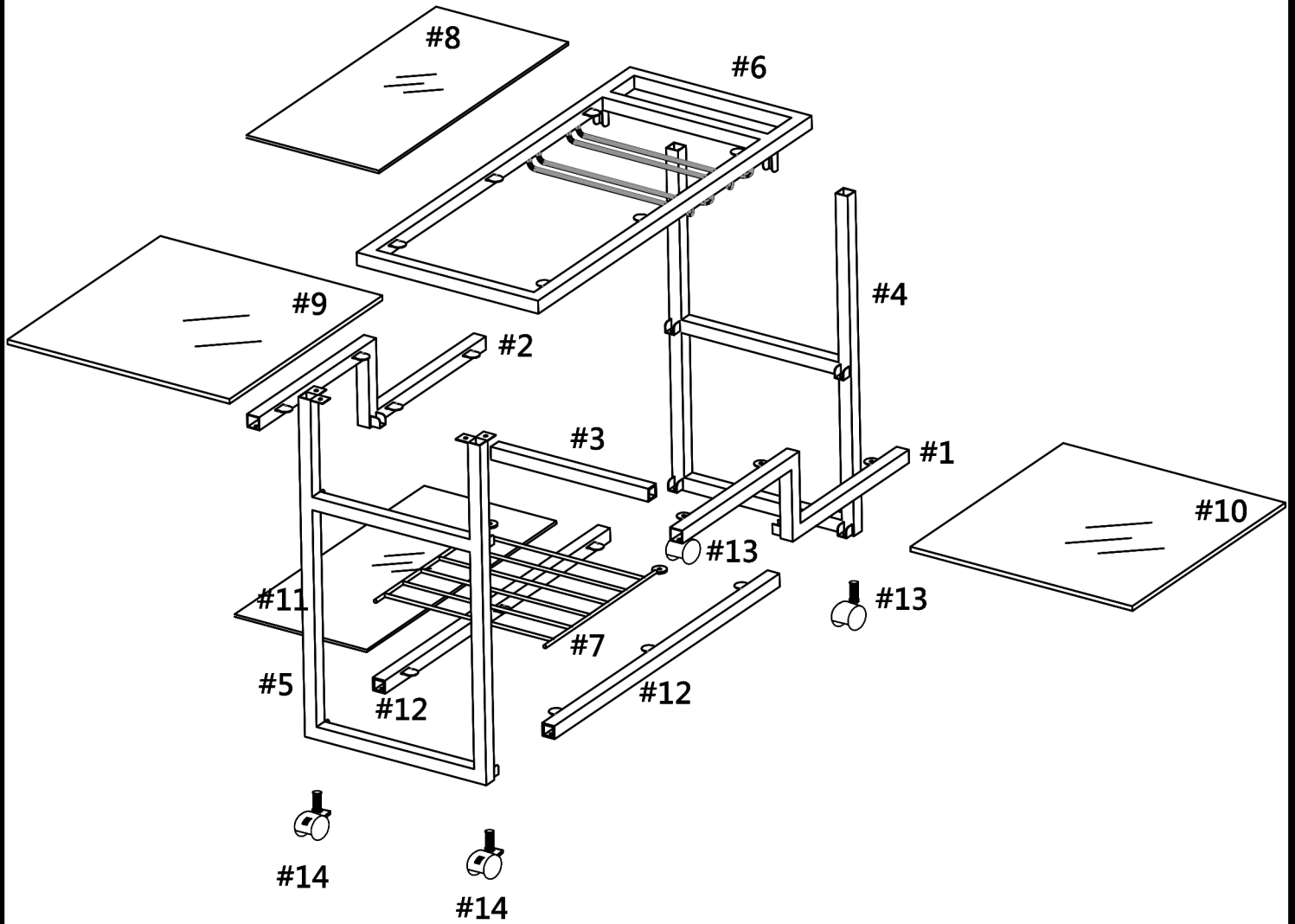


C x 4pcs
End Cap



D x 1pc
Allen Key

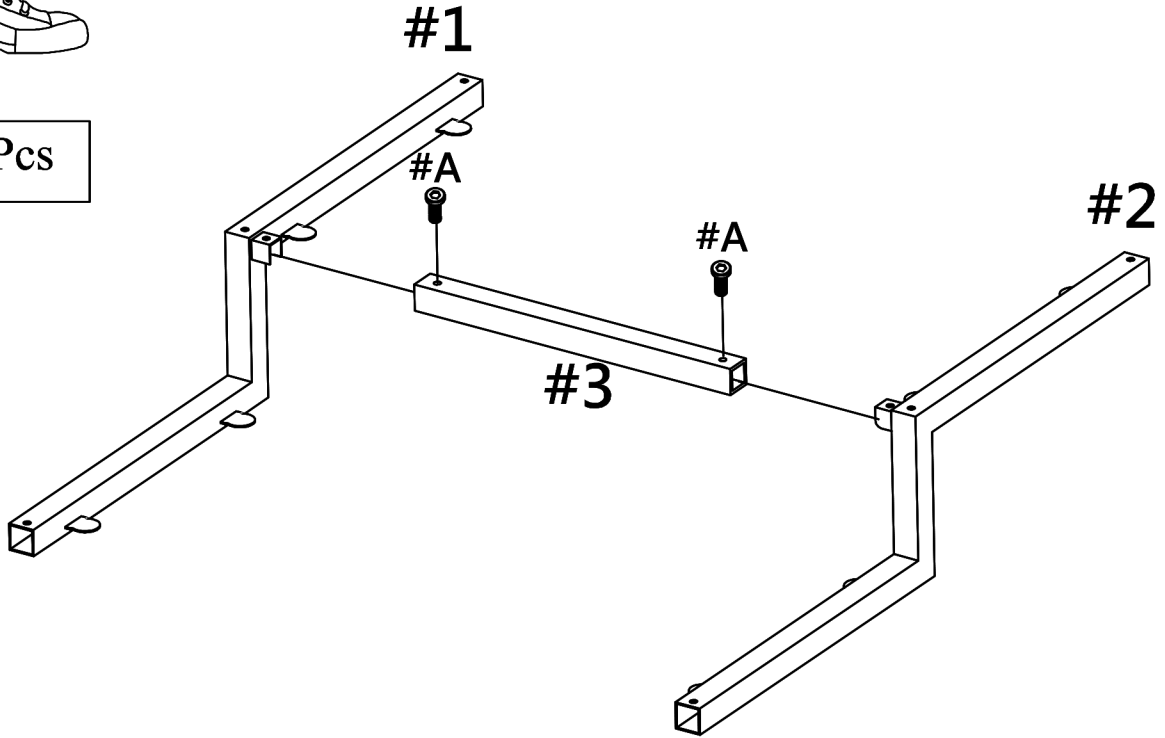
Exploded View



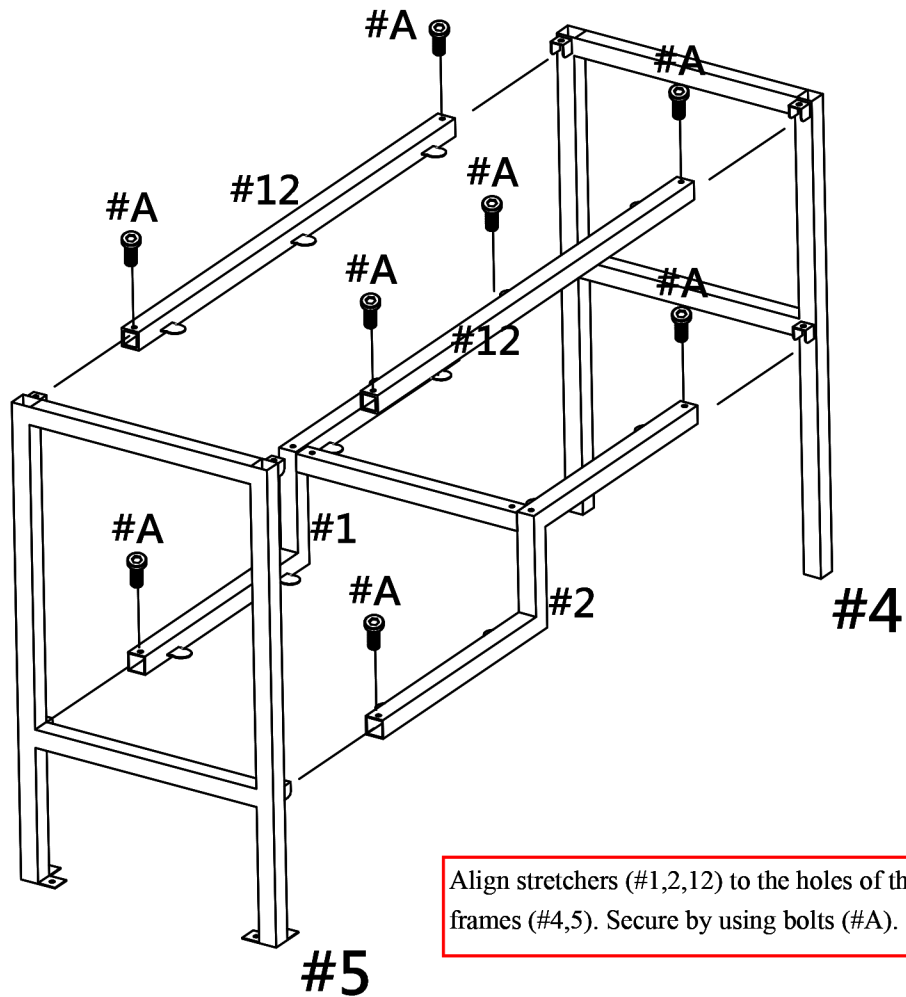


Align crossbar (#3) to the holes of the stretchers (#1,2).
Secure by using bolts (#A).

#A 2Pcs



#A 8Pcs



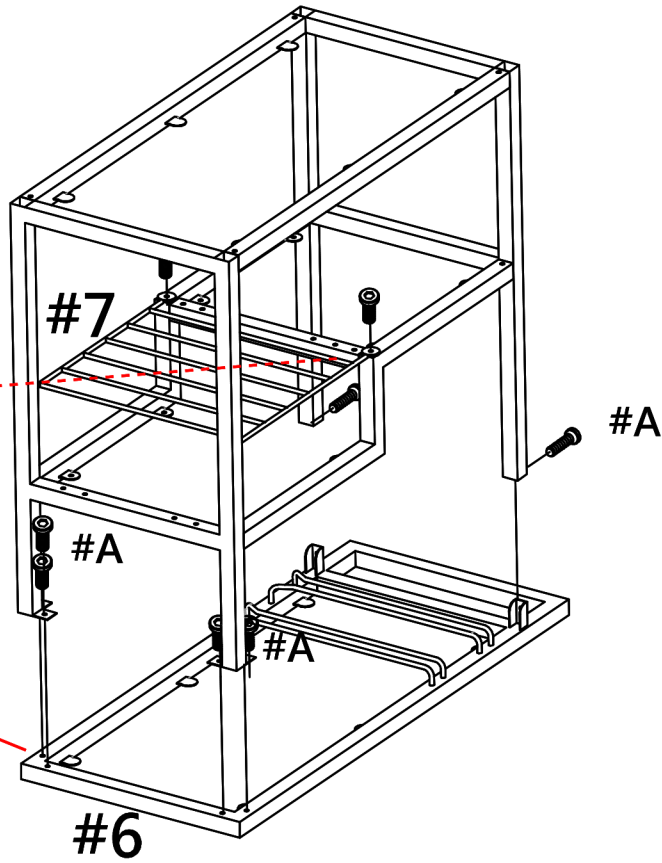
Align stretchers (#1,2,12) to the holes of the back and front frames (#4,5). Secure by using bolts (#A).



#A 8Pcs

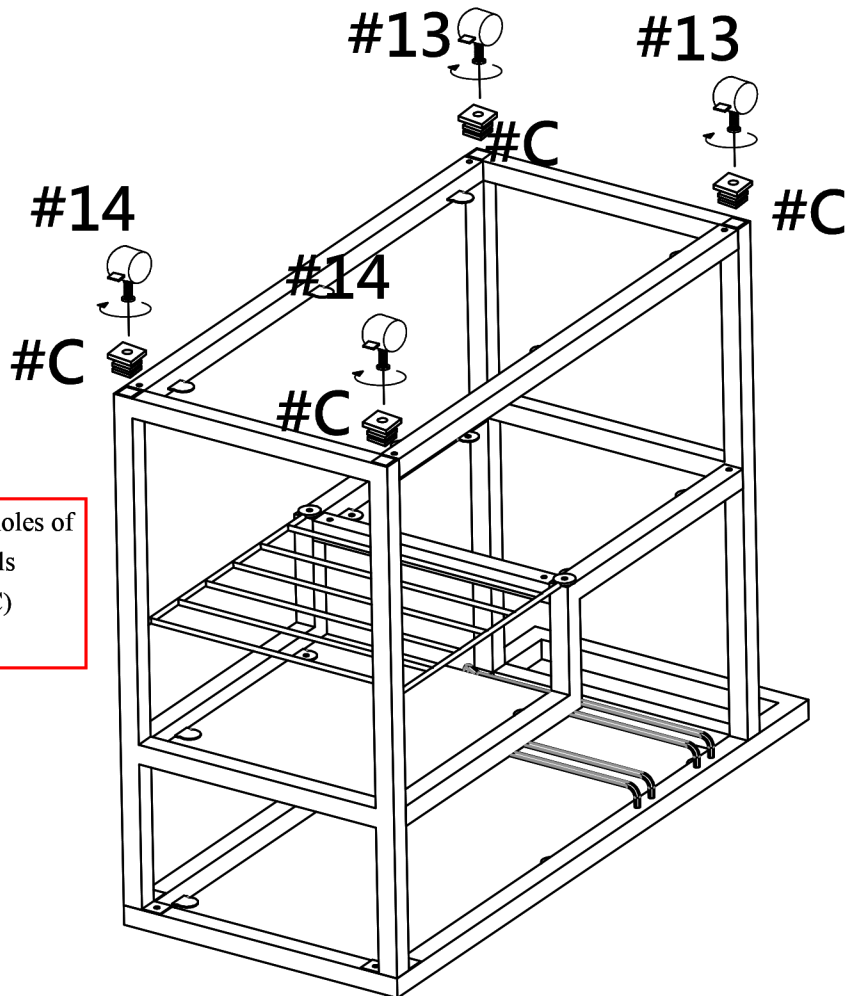
1) Align shelf (#7) to the holes of the stretchers (#1,2). Secure by using bolts (#A).

2) Align the frame to the holes of the top frame (#6), then secure by using bolts (#A).



#C 4Pcs

Insert end caps (#C) to the holes of the frame, then secure wheels (#13,14) to the end caps (#C) inside the frame.





#B 20Pcs

Stick glass pads (#B) to the tabs of the product, then carefully place glass (#8,9,10,11) to the appropriate tabs with glass pads.

