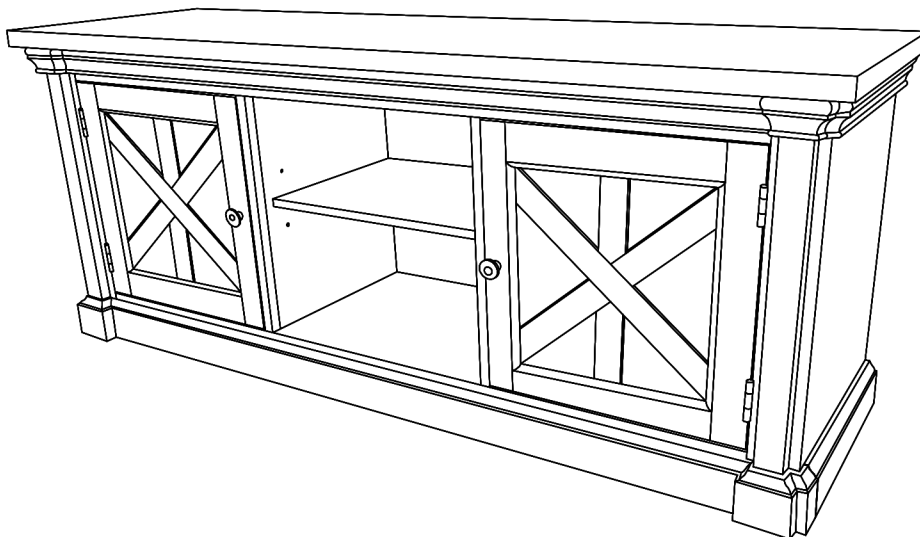


Assembly Instructions



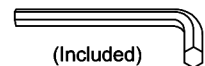
ASSEMBLY RATING

The Assembly Rating is a 5-point system that shows the degree of effort needed in assembling a specific product (with 1 being easy and 5 being difficult). For some products, two persons are recommended.

EASY  DIFFICULT

Tools Required For Assembly:

Allen Wrench

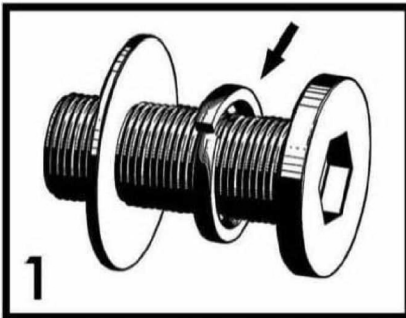


2 PERSONS RECOMMENDED

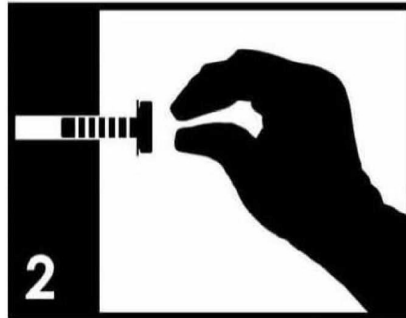
ASSEMBLY & CARE ADVICE

FOR YOUR FURNITURE TO LAST, CORRECT ASSEMBLY AND PROPER MAINTENANCE ARE NECESSARY. PLEASE FOLLOW THE INFORMATION PROVIDED BELOW TO FULLY ENJOY YOUR FURNITURE.

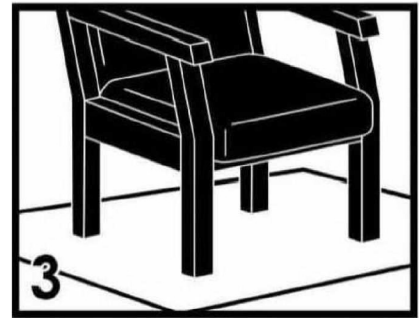
BASIC ASSEMBLY TECHNIQUES



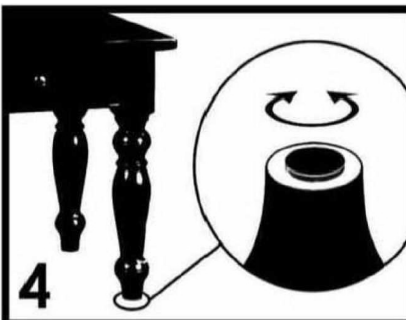
When lock or spring washer is used in an assembly, please make sure the lock or spring washer is placed between the larger flat washer and the head of the screw or bolt.



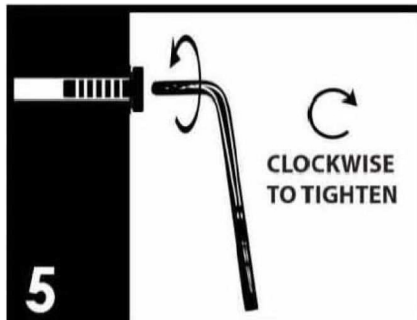
Position each part correctly and insert screws or bolts into their respective holes by hand tighten or using the proper hand tool. Only tighten when step is completed or when instructed to do so.



Use cardboard or carpet area when assembling furniture to prevent scratches. Make sure the furniture rests on a flat and level surface with each leg evenly touching the floor.



Some furniture comes with height adjustment knobs underneath each leg. To lower or to raise each leg, you need to turn clockwise or counterclockwise, respectively.



Make sure all parts are properly aligned, then use the appropriate hand tool to completely tighten the bolts or screws. Do not use power tools and do not overtighten.

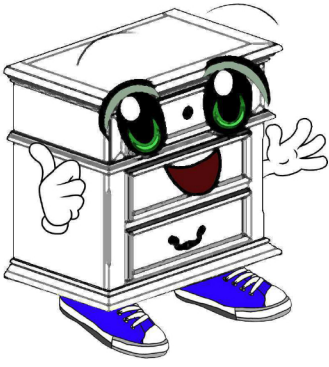


Save the instructions and store the Allen wrench or any supplied tool for later maintenance. After two weeks, check and tighten any loose hardware and repeat again every six months thereafter.

IT IS THE USER'S RESPONSIBILITY TO MAINTAIN THE FURNITURE. THE HARDWARE MAY LOOSEN OVER TIME AND MAY CAUSE THE FURNITURE TO BE WOBBLY AND UNABLE TO SUPPORT ITS INTENDED WEIGHT CAPACITY. THIS MAY LEAD TO COLLAPSE AND MAY CAUSE SERIOUS INJURY.



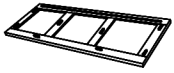
FAILURE TO FOLLOW THE GUIDELINES ABOVE MAY RESULT IN INJURY AND/OR PROPERTY DAMAGE.



Before you begin, please read Page 2 of "Assembly and Care Advice".

And remember, do not tighten until each step is completed or instructed.

Parts List



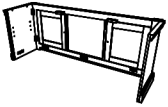
#1 x 1pc
Top Frame



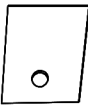
#2 x 1pc
Right Medium Panel



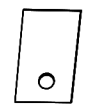
#3 x 1pc
Left Medium Panel



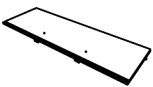
#4 x 1pc
Front Frame



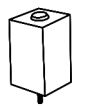
#5 x 2pcs
Side Back Panel



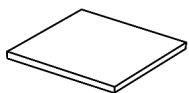
#6 x 1pc
Medium Back Panel



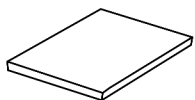
#7 x 1pc
Bottom Panel



#8 x 2pcs
Support Wood



#9 x 1pc
Medium Shelf



#10 x 2pcs
Side Shelf

Hardware List



#A x 1pc
Allen Wrench M4



#B x 8pcs
Bolt $\text{\O}1/4\text{"X}1\text{-}1/4\text{"}$



#C x 8pcs
Lock Washer $\text{\O}1/4\text{"}$



#D x 8pcs
Flat Washer $\text{\O}1/4\text{"}$



#E x 12pcs
Shelf Support



#F x 2pcs
Pull

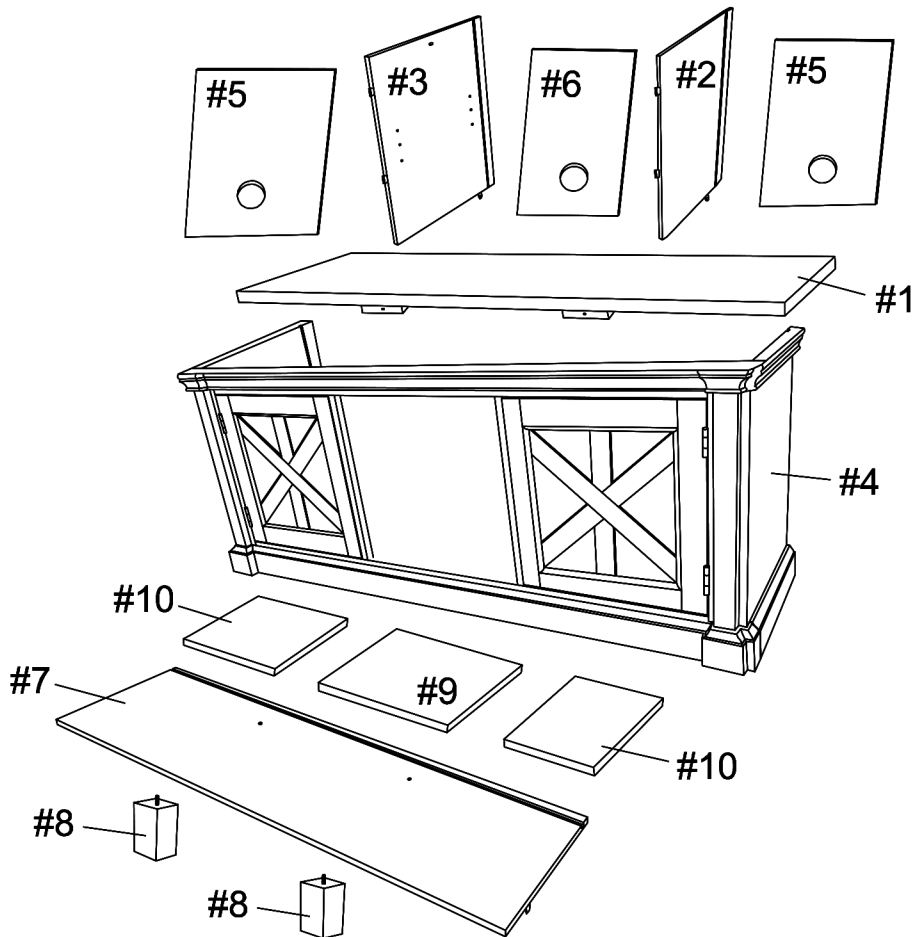


#G x 2pcs
Screw $\text{\O}5/32\text{"X}1\text{-}1/4\text{"}$

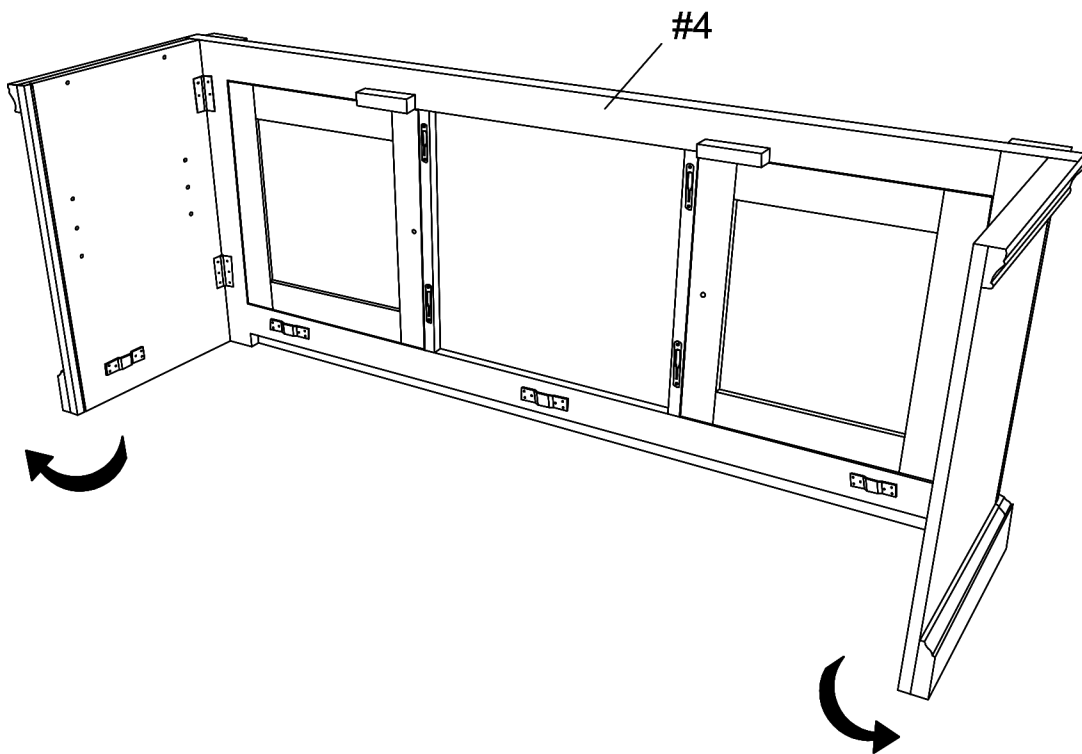


#H x 2pcs
Wood Screw $\text{\O}8\text{X}1\text{"}$

Exploded View

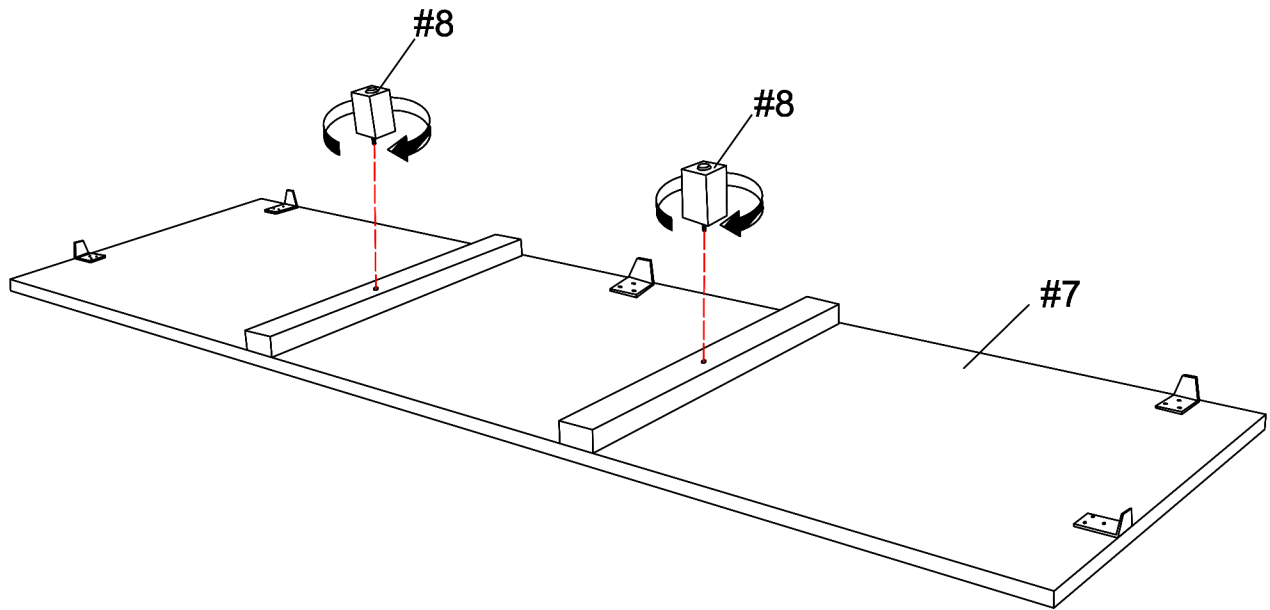


Unfold front frame (#4).

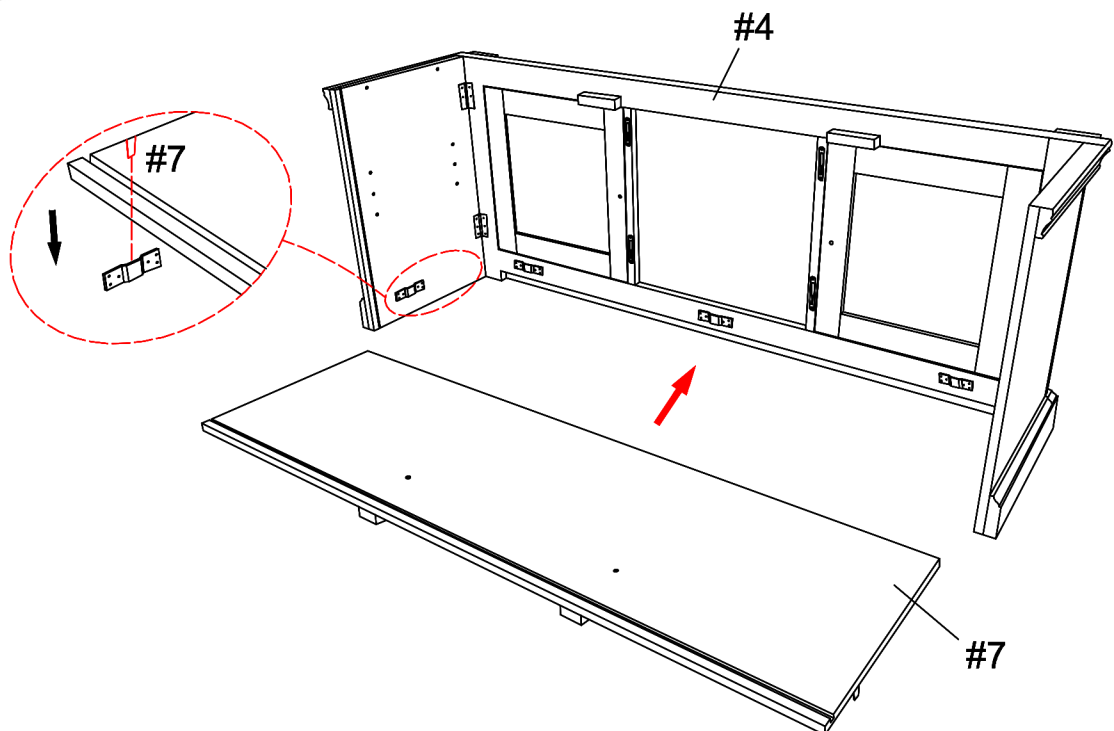




Attach support woods (#8) to the holes of the bottom panel (#7).

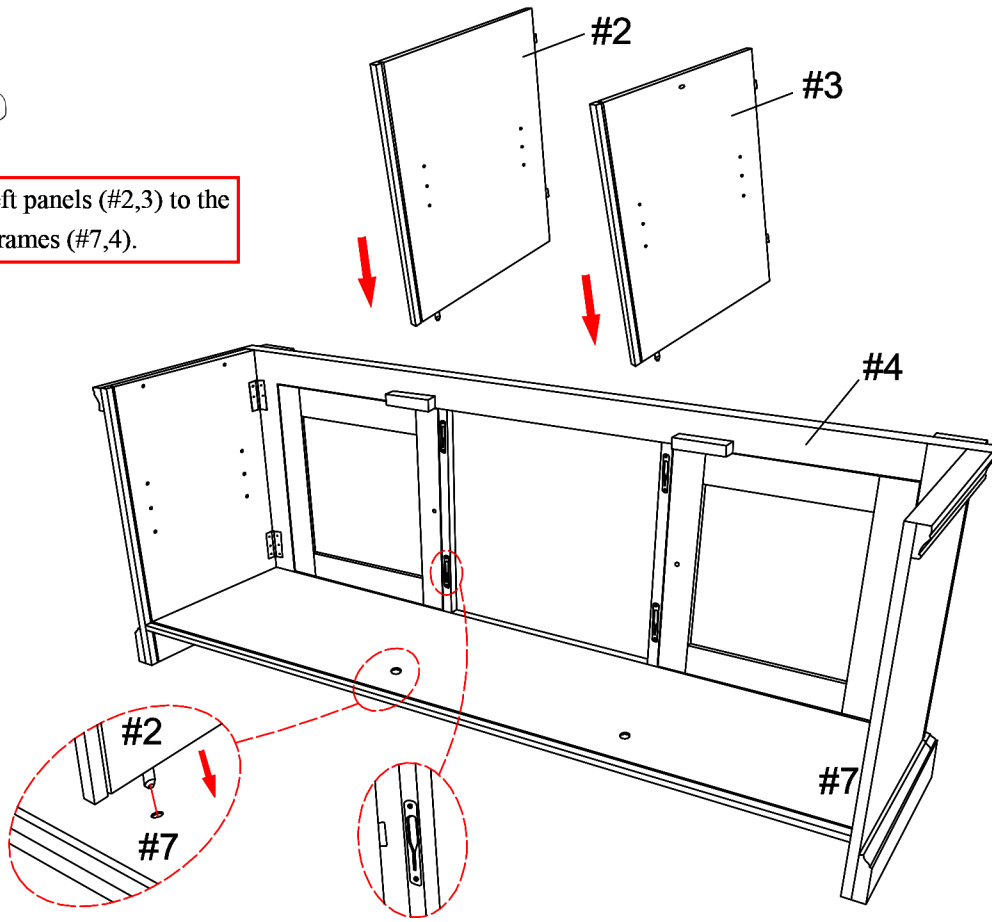


Align and insert bottom panel (#7) to the brackets of the front frame (#4).
Make sure the bottom panel (#7) is in place.

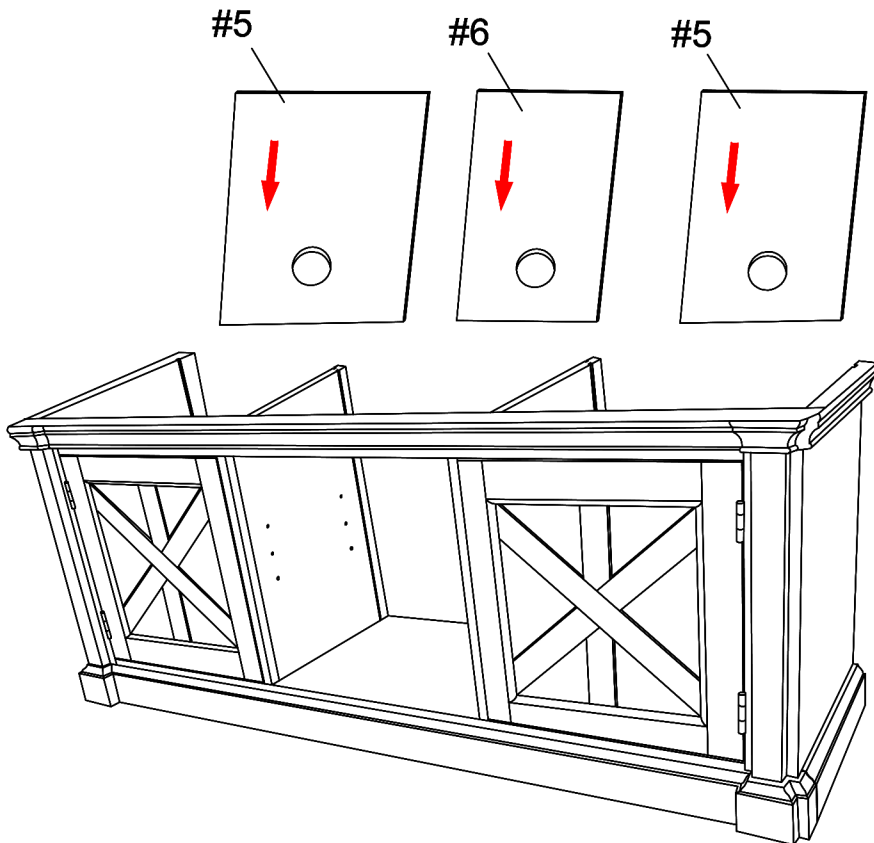




Attach right and left panels (#2,3) to the bottom and front frames (#7,4).

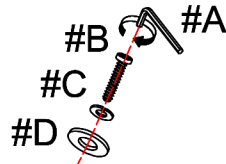


Slide back panels (#5,6) through the thin lined gaps of the TV-Stand.

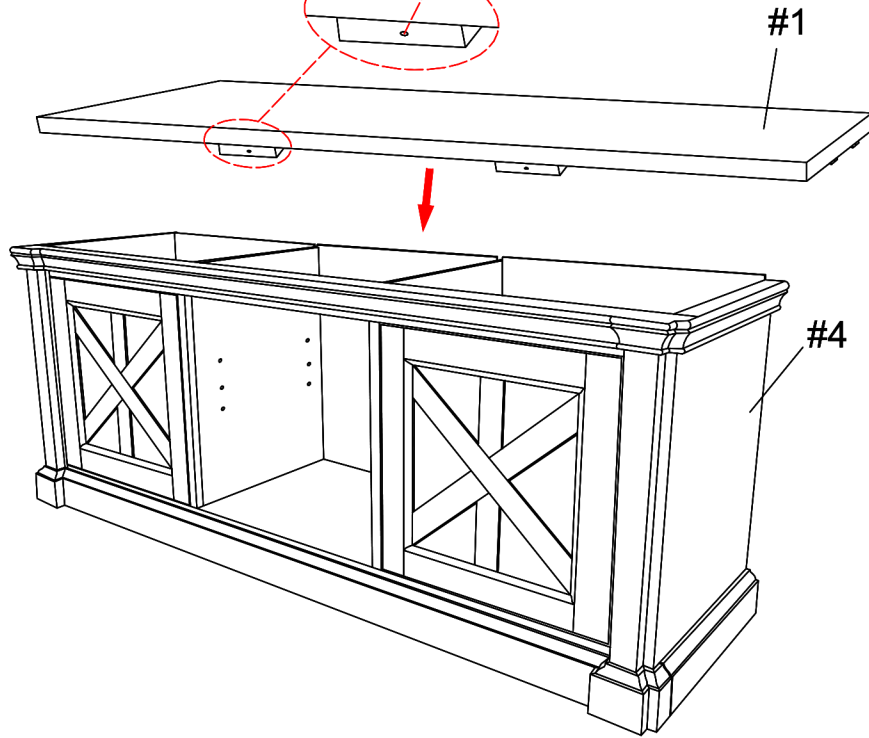




#B x 8pcs
 #C x 8pcs
 #D x 8pcs

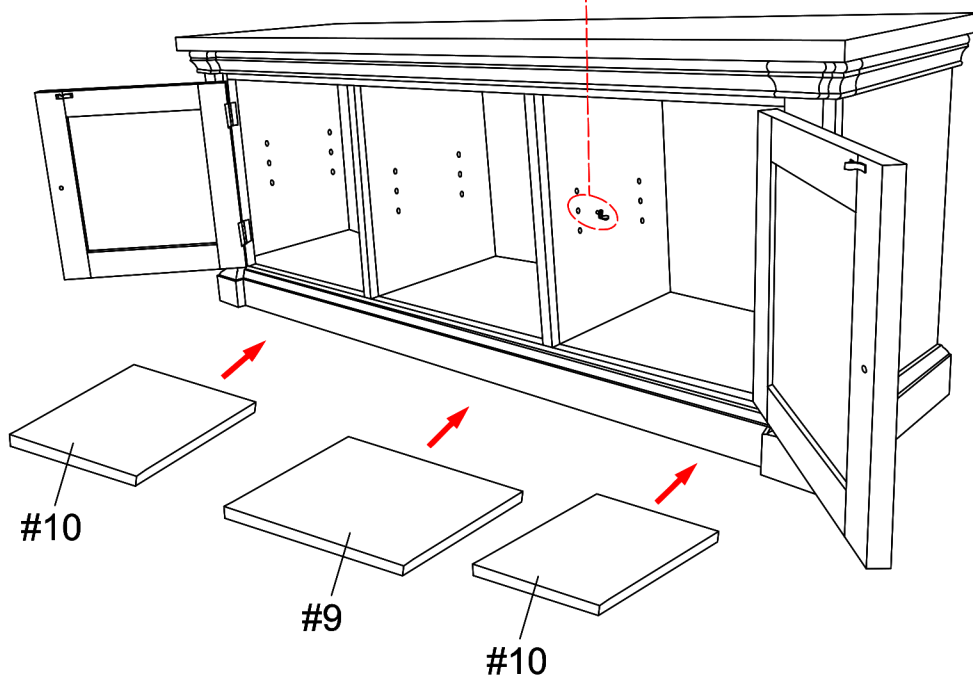
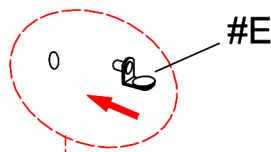


Align top frame (#1) to the top of the TV-Stand, then secure from the inside by using bolts (#B) with washers (#C,D).



#E x 12pcs

Attach shelf supports (#E) to the holes in the TV-Stand, then place shelves (#9,10) to the shelf supports (#E).

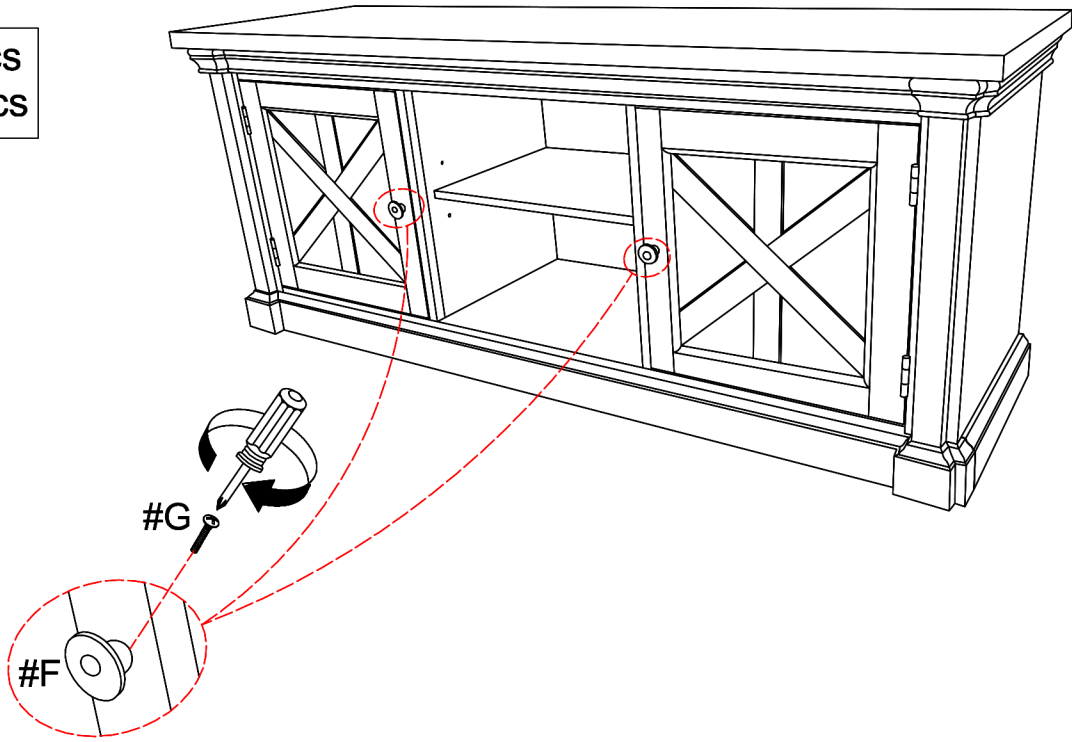




#9

Align and secure knobs (#F) to the doors by using bolts (#G).

#F x 2pcs
#G x 2pcs



#10

If the guest buy pier cabinet, can put the TV stand on the back of the top panel flat iron, secure a wood screw, connect the TV stand and 2 pier cabinets.

#H x 2pcs

