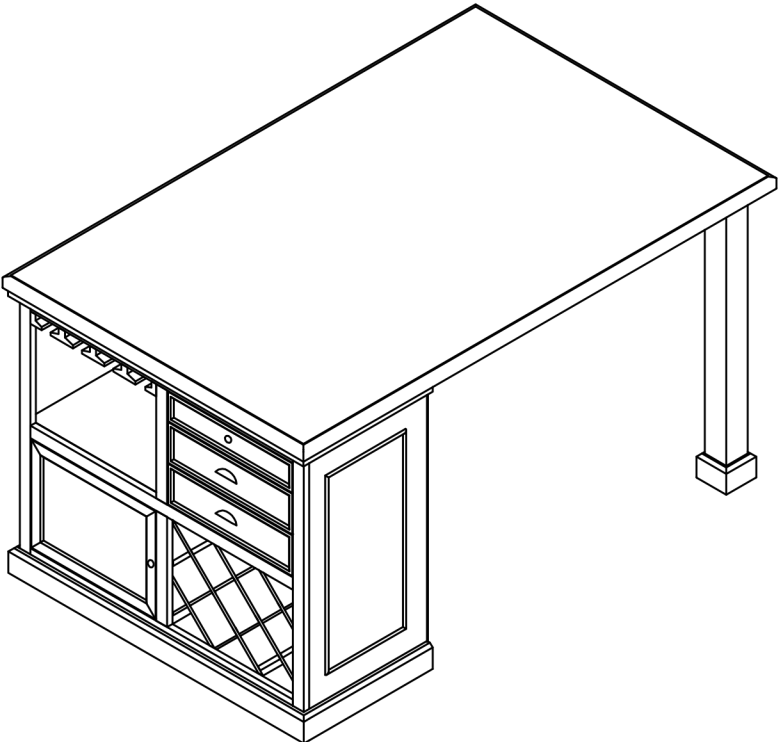
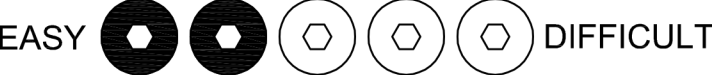


Assembly Instructions

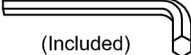



ASSEMBLY RATING

The Assembly Rating is a 5-point system that shows the degree of effort needed in assembling a specific product (with 1 being easy and 5 being difficult). For some products, two persons are recommended.



Tools Required For Assembly:

- Allen Wrench  (Included)
- Phillips Screwdriver  (Not Included)



2 PERSONS RECOMMENDED

ASSEMBLY & CARE ADVICE

FOR YOUR FURNITURE TO LAST, CORRECT ASSEMBLY AND PROPER MAINTENANCE ARE NECESSARY. PLEASE FOLLOW THE INFORMATION PROVIDED BELOW TO FULLY ENJOY YOUR FURNITURE.

BASIC ASSEMBLY TECHNIQUES



When lock or spring washer is used in an assembly, please make sure the lock or spring washer is placed between the larger flat washer and the head of the screw or bolt.



Position each part correctly and insert screws or bolts into their respective holes by hand tighten or using the proper hand tool. Only tighten when step is completed or when instructed to do so.



Use cardboard or carpet area when assembling furniture to prevent scratches. Make sure the furniture rests on a flat and level surface with each leg evenly touching the floor.



Some furniture comes with height adjustment knobs underneath each leg. To lower or to raise each leg, you need to turn clockwise or counterclockwise, respectively.



Make sure all parts are properly aligned, then use the appropriate hand tool to completely tighten the bolts or screws. Do not use power tools and do not overtighten.



Save the instructions and store the Allen wrench or any supplied tool for later maintenance. After two weeks, check and tighten any loose hardware and repeat again every six months thereafter.

IT IS THE USER'S RESPONSIBILITY TO MAINTAIN THE FURNITURE. THE HARDWARE MAY LOOSEN OVER TIME AND MAY CAUSE THE FURNITURE TO BE WOBBLY AND UNABLE TO SUPPORT ITS INTENDED WEIGHT CAPACITY. THIS MAY LEAD TO COLLAPSE AND MAY CAUSE SERIOUS INJURY.



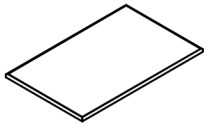
FAILURE TO FOLLOW THE GUIDELINES ABOVE MAY RESULT IN INJURY AND/OR PROPERTY DAMAGE.



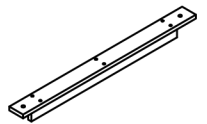
Before you begin, please read Page 2 of "Assembly and Care Advice".

And remember, do not tighten until each step is completed or instructed.

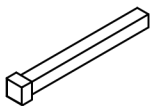
Parts List



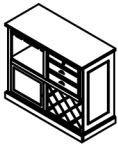
#1 x 1pc
Table Top



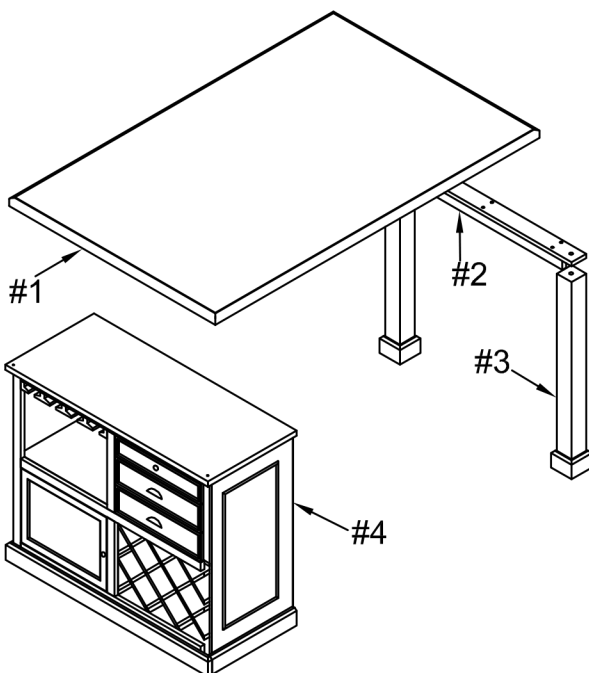
#2 x 1pc
Mounting Plate



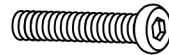
#3 x 2pcs
Leg



#4 x 1pc
Bottom Cabinet



Hardware List



#A x 2pcs
Bolt Ø1/4" x 1"



#B x 8pcs
Bolt Ø1/4" x 1-1/2"



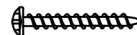
#C x 10pcs
Lock Washer Ø1/4"



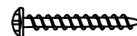
#D x 10pcs
Flat Washer Ø1/4"x19mm



#E x 1pc
Allen Key M4



#F x 2pcs
Screw #4x45mm



#G x 4pcs
Screw #4x25mm



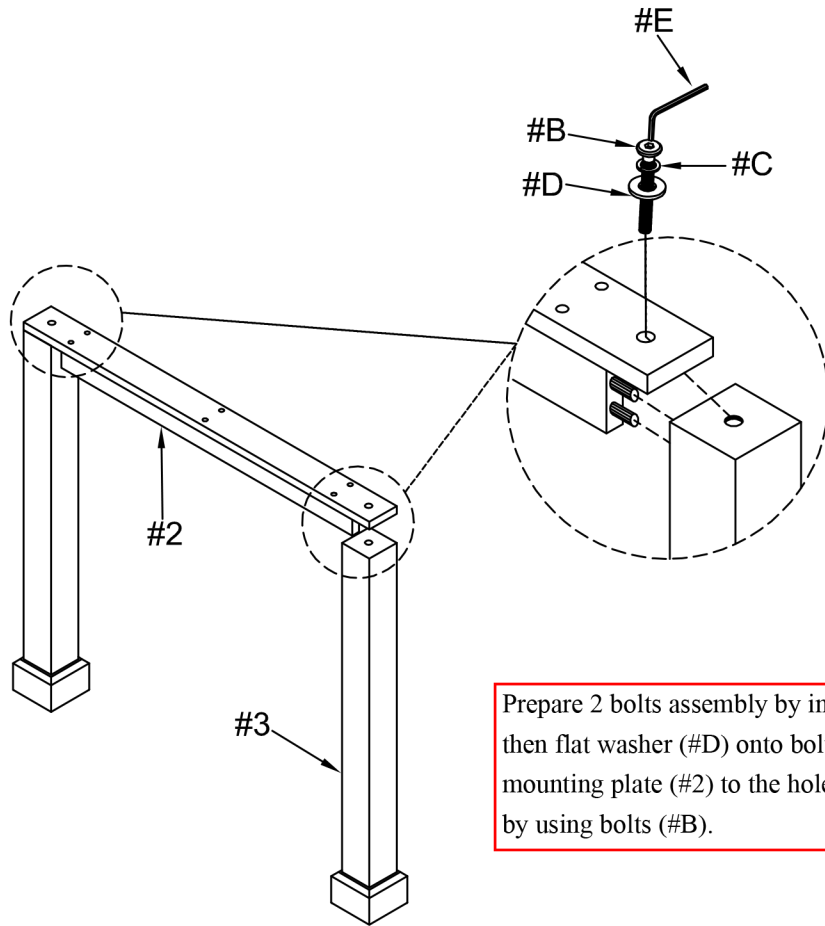
#H x 2pcs
Bracket



#I x 2pcs
Wood Tenon Ø12x30mm



#B x 2pcs
#C x 2pcs
#D x 2pcs

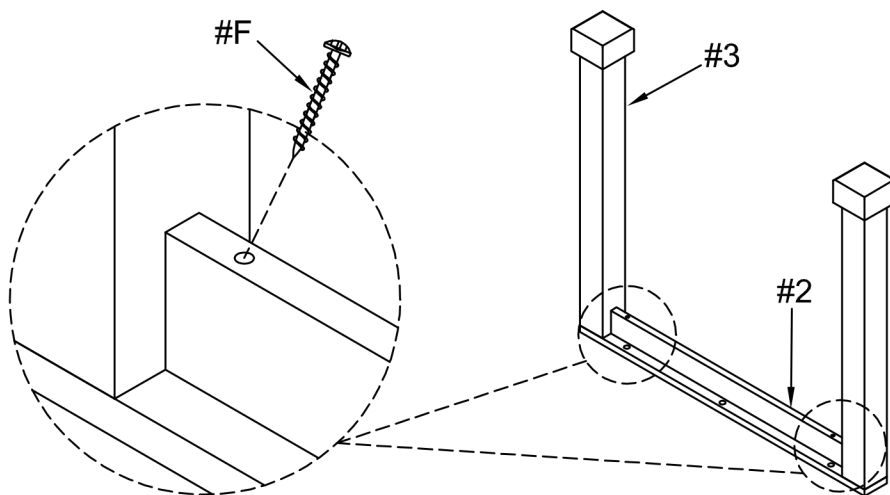


Prepare 2 bolts assembly by inserting lock washer (#C), then flat washer (#D) onto bolts (#B). Align and attach mounting plate (#2) to the holes of the legs (#3). Secure by using bolts (#B).



#F x 2pcs

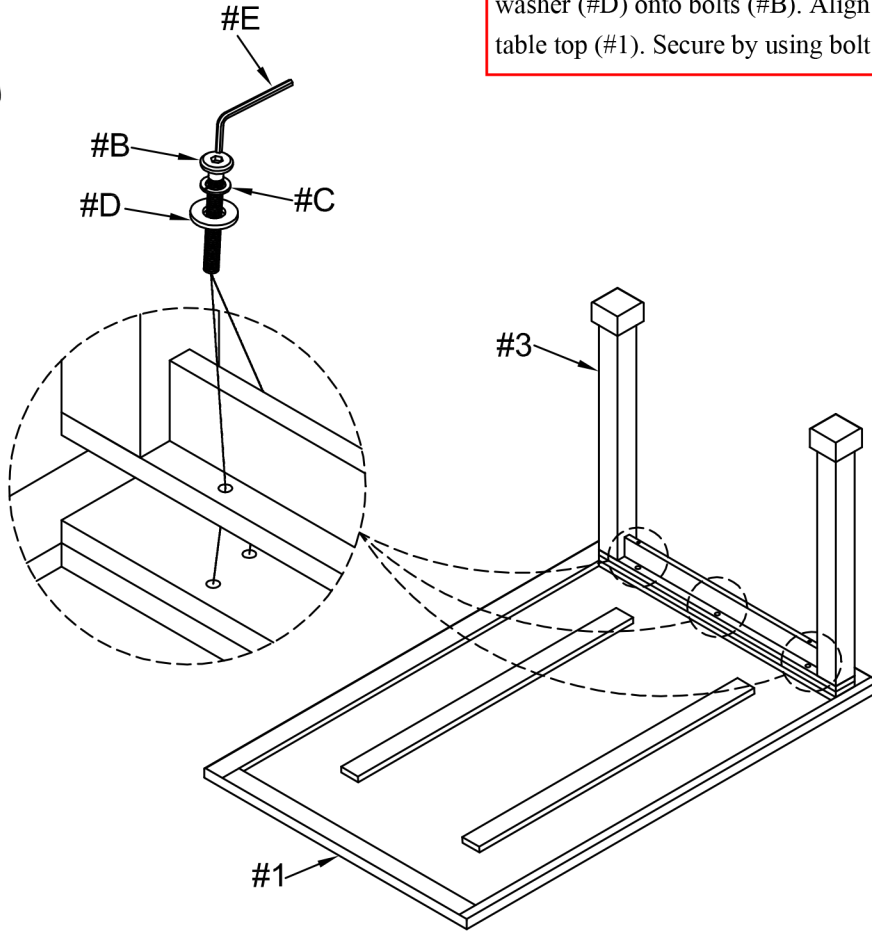
Secure mounting plate (#2) to legs (#3) by using screws (#F).





#3

#B x 6pcs
#C x 6pcs
#D x 6pcs

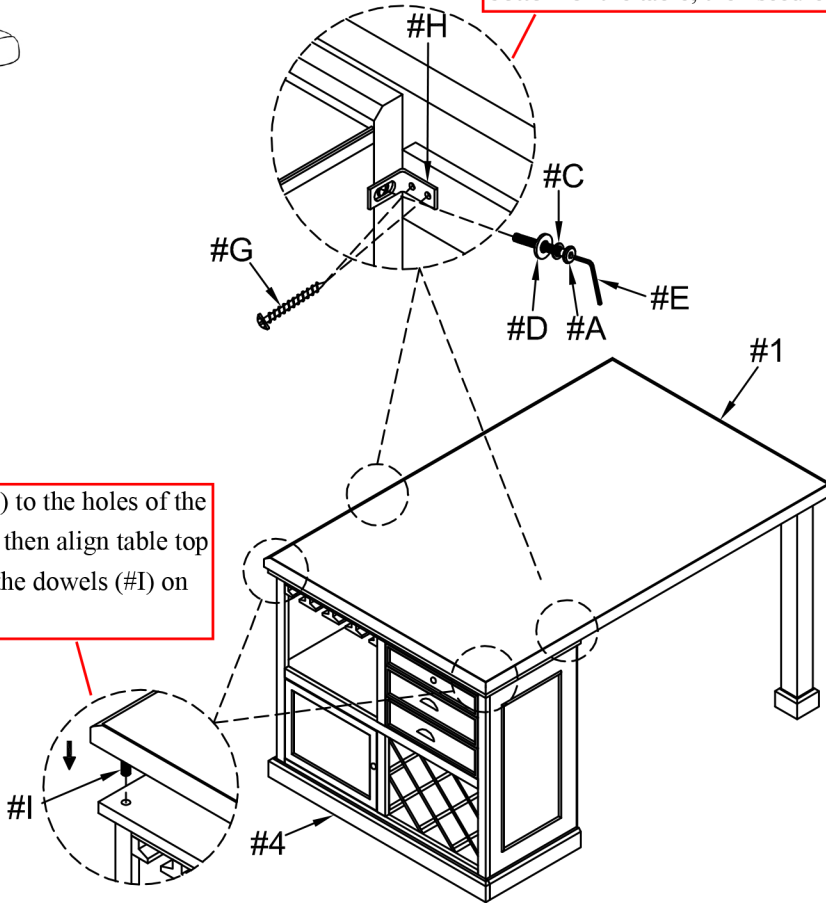


Prepare 6 bolts assembly by inserting lock washer (#C), then flat washer (#D) onto bolts (#B). Align legs (#3) to the holes of the table top (#1). Secure by using bolts (#B).



#4

#A x 2pcs
#C x 2pcs
#D x 2pcs
#G x 4pcs
#H x 2pcs
#I x 2pcs



2) Prepare 2 bolts assembly by inserting lock washer (#C), then flat washer (#D) onto bolts (#A). Align brackets (#H) to the holes at the bottom of the table, then secure by using bolts (#A) and screws (#G).

1) Attach dowels (#I) to the holes of the bottom cabinet (#4), then align table top (#1) dowel holes to the dowels (#I) on bottom cabinet (#4).