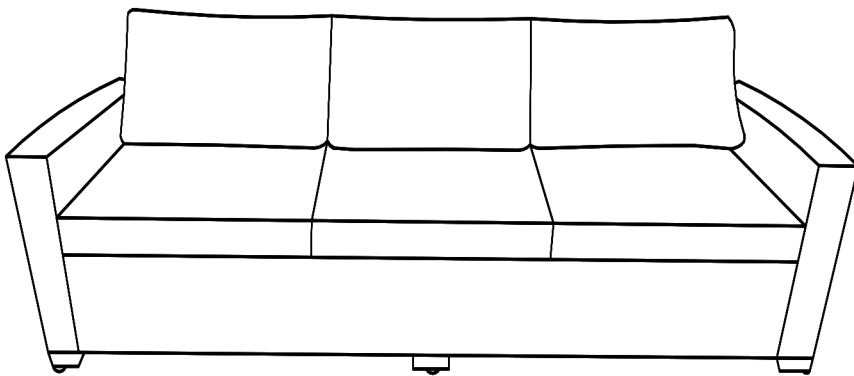


ASSEMBLY INSTRUCTIONS

TOOLS REQUIRED



Allen Wrench
(Included)



2 - Persons
Recommended

ASSEMBLY RATING



EASY → DIFFICULT

The Assembly Rating is a 5-point system showing the level of effort needed to assemble a specific product.



CHECK BEFORE STARTING

Are you missing anything?

Double-check all parts, hardware and accessories listed on Page 6 are accounted for.

Check out our Quick Tips!

We recommend reviewing the pre-assembly handouts. Even experts need a refresher now and then!

Should we send any replacements?

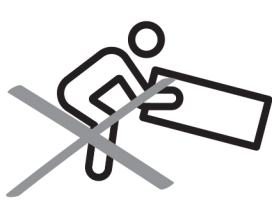
Are there any irregularities or flaws in the parts? We can send replacements!

Prep Time!

Please review the assembly instructions and all diagrams prior to assembling. Arrange parts as recommended on Page 7 and group identical hardware together to make assembling easier.

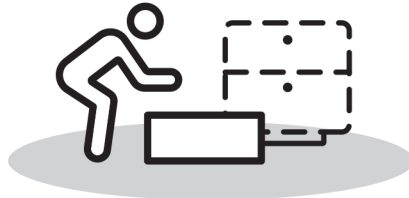
PRE ASSEMBLY INTRODUCTION

We understand building ready-to-assemble furniture can be a challenging experience for some. To help avoid confusion, we have provided some helpful tips that may speed up the process.



Teamwork

ALWAYS have at least two people to help with transporting and assembling the product to avoid potential injury and/or damage.



Suitable Location

Assembling near the area of the intended location is highly recommended.



Sufficient Space

Make sure you have enough space to move around during the assembly.



Avoid Scratches

Use cardboard, blankets or a carpeted area while assembling furniture to prevent scratches.



Flat Surface

Make sure the furniture rests on a flat and level surface with each leg evenly touching the floor.

ASSEMBLY AND CARE ADVICE



FAILURE TO FOLLOW THE GUIDELINES BELOW MAY RESULT IN INJURY AND/OR PROPERTY DAMAGE.



Position each part correctly and insert screws or bolts into their respective holes.



Turn clockwise to tighten and only tighten when step is completed or when instructed to do so.



Use the appropriate hand tools or power tools for assembly. Select steps, such as tightening screws and/or bolts, may require hand tools to avoid causing damage during assembly.



Save the instructions and store any supplied tools for later maintenance.



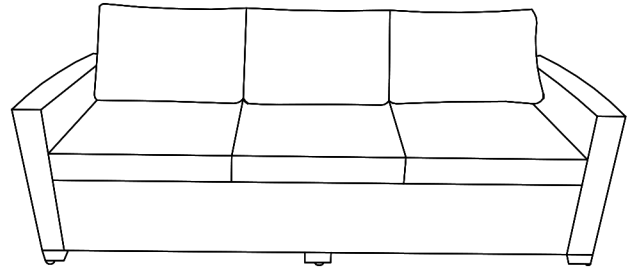
After two weeks, check and tighten any loose hardware and repeat again every six months thereafter.

IT IS THE USER'S RESPONSIBILITY TO MAINTAIN THE FURNITURE. THE HARDWARE MAY LOOSEN OVER TIME AND MAY CAUSE THE FURNITURE TO BE WOBBLY AND UNABLE TO SUPPORT ITS INTENDED WEIGHT CAPACITY. THIS MAY LEAD TO COLLAPSE AND MAY CAUSE SERIOUS INJURY.

SOFA

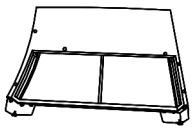


- Please keep instructions for future reference.
- Check the quantity and irregularity of parts and hardware before you start.



PARTS

#1 2pcs



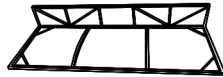
Arm Panel

#2 1pc



Back Panel

#3 1pc



Seat Panel

#4 1pc



Support Bar

#5 3pcs



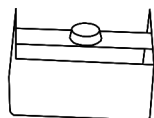
Seat Cushion

#6 3pcs



Back Cushion

#7 2pcs

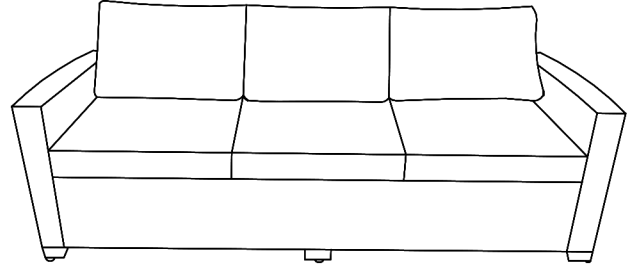


Foot

SOFA

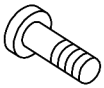


- Please keep instructions for future reference.
- Check the quantity and irregularity of parts and hardware before you start.



HARDWARE

#A 12pcs



Bolt 1/4" X1- 5/8"

#B 4pcs



Bolt 1/4" X1- 3/16"

#C 4pcs



Bolt 1/4" X 3/4"

#D 6pcs



Bolt 1/4" X 3/4"

#E 20pcs



Flat Washer

#F 1pc



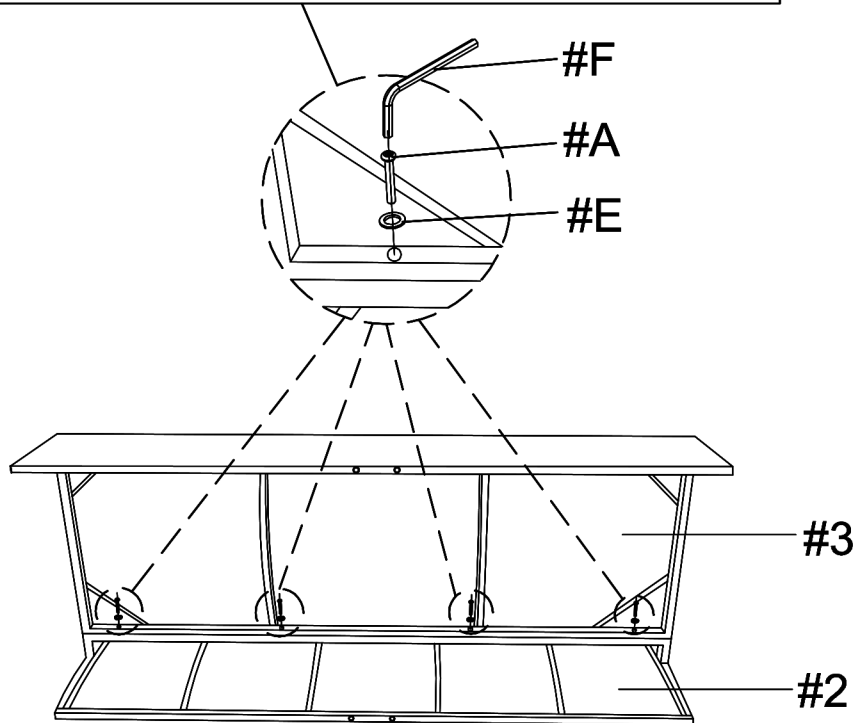
Allen Wrench

ASSEMBLY INSTRUCTIONS

Prepare 4 bolts assembly by inserting washer (#E) onto bolts(#A). Align seat panel (#3) to the holes of the back panel (#2). Secure by using bolts(#A).

1

- Part (#2) ×1pc
- Part (#3) ×1pc
- Hardware (#A) ×4pcs
- Hardware (#E) ×4pcs
- Hardware (#F) ×1pc

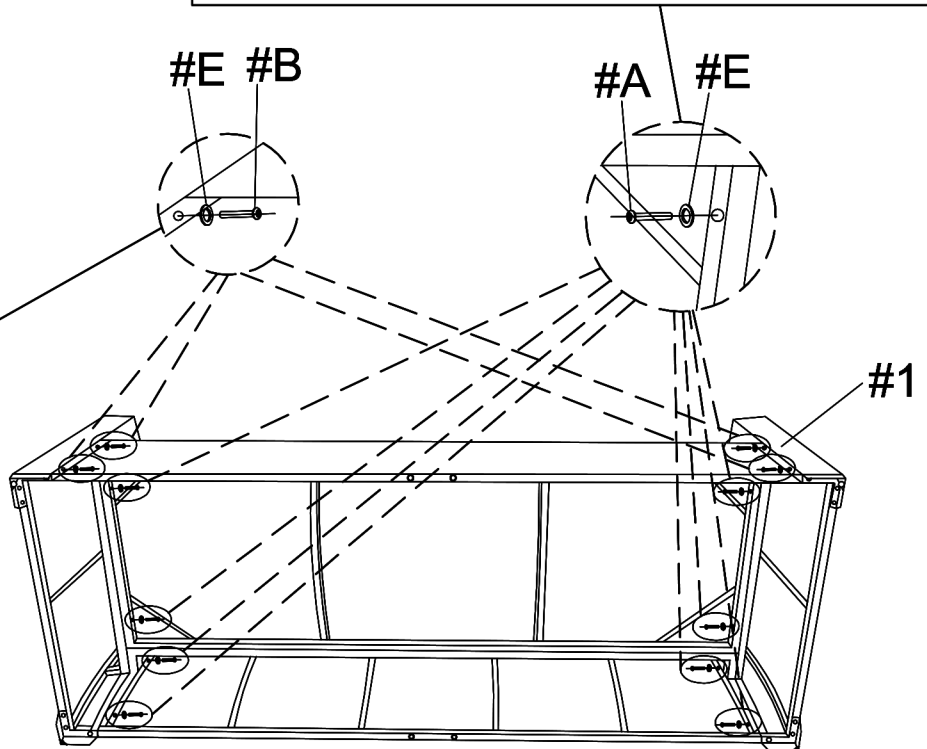


2

- Part (#1) ×1pc
- Hardware (#A) ×8pcs
- Hardware (#B) ×4pcs
- Hardware (#E) ×12pcs

2) Prepare 8 bolts assembly by inserting washer(#E) onto bolts (#A). Secure the holes as shown in the picture by using bolts(#A).

1) Prepare 4 bolts assembly by inserting washer (#E) onto bolts (#B). Align arm panels (#1) to the holes of the seat and back panels (#2,3). Secure upper 4 holes by using bolts (#B).



ASSEMBLY INSTRUCTIONS

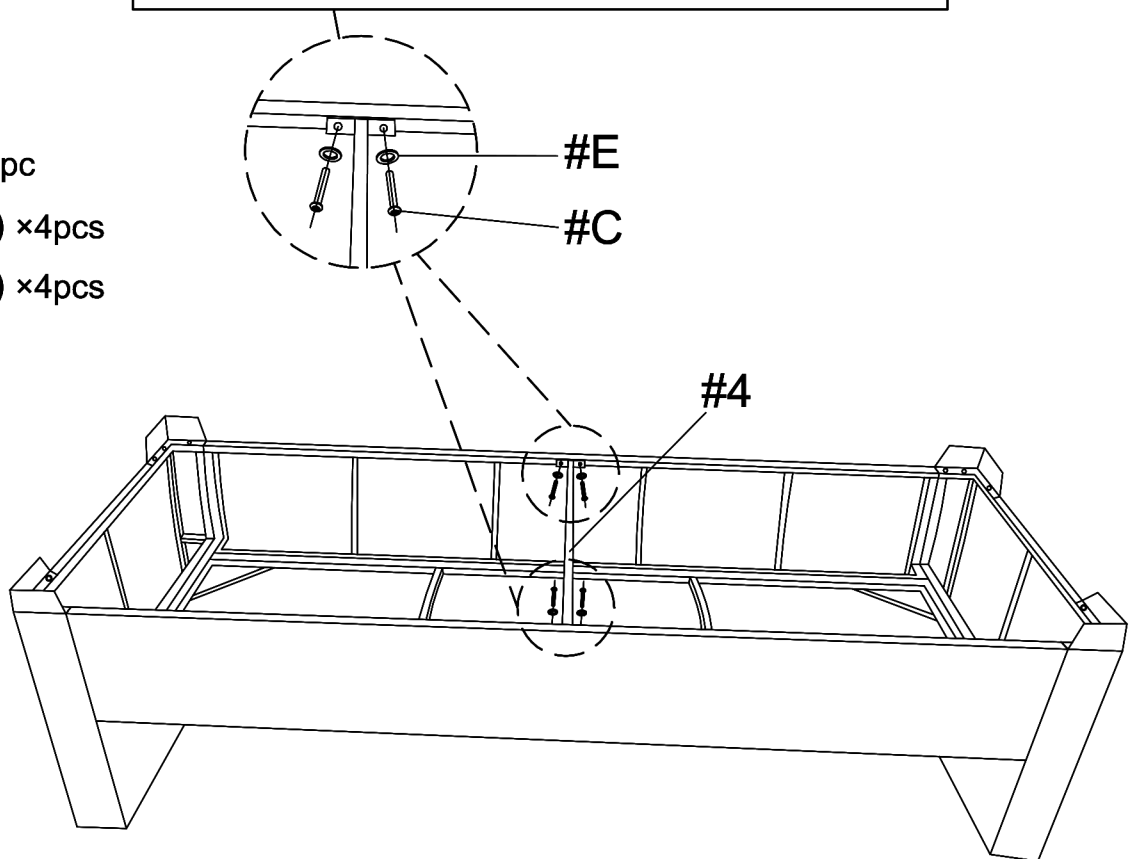
Prepare 4 bolts assembly by inserting washer (#E) onto bolts(#C). Align support bar (#4) to the holes of the sofa. Secure by using bolts (#C).

3

Part (#4) ×1pc

Hardware (#C) ×4pcs

Hardware (#E) ×4pcs

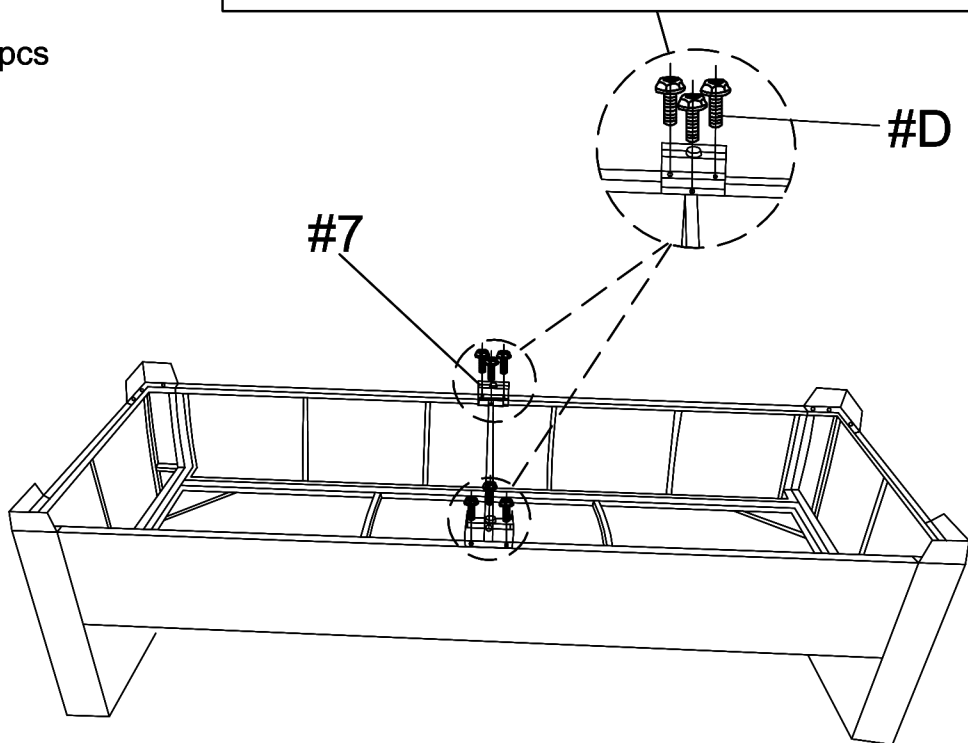


4

Part (#7) ×1pc

Hardware (#D) ×6pcs

Align feet (#7) to the middle holes of the sofa. Secure by using bolts (#D).

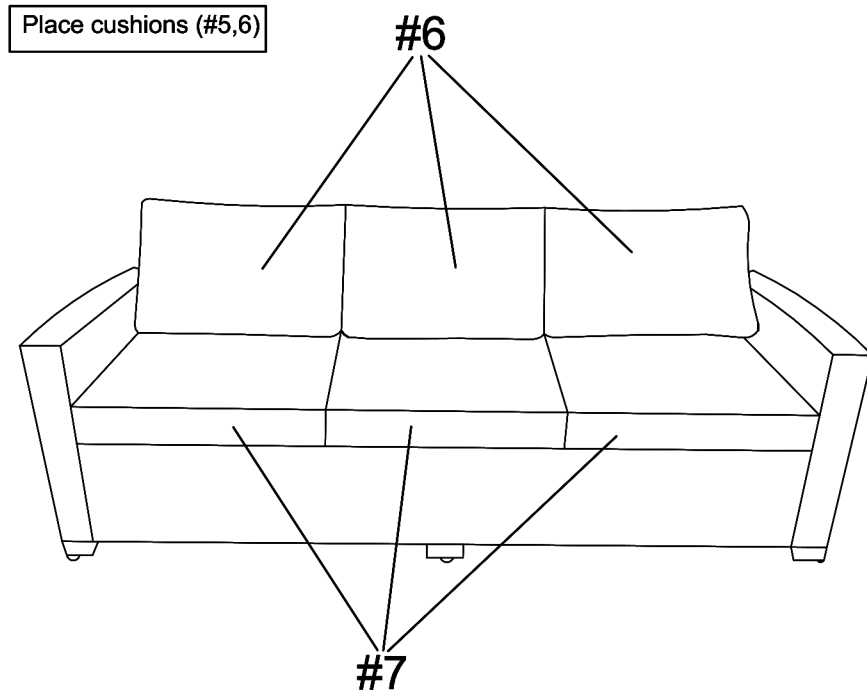


ASSEMBLY INSTRUCTIONS

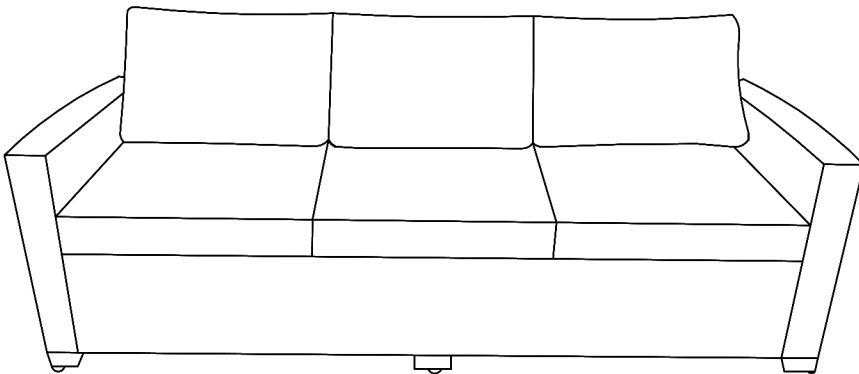
5

Part #6 ×1pc

Part #7 ×1pc



6



ASSEMBLY COMPLETED



Please ensure the furniture rests on an even and flat surface. If the product wobbles or feels loose, double-check all bolts and/or screws are properly tightened and secured.

✓ Keep this handy!

Please retain this instruction manual and any order-related information for future reference.