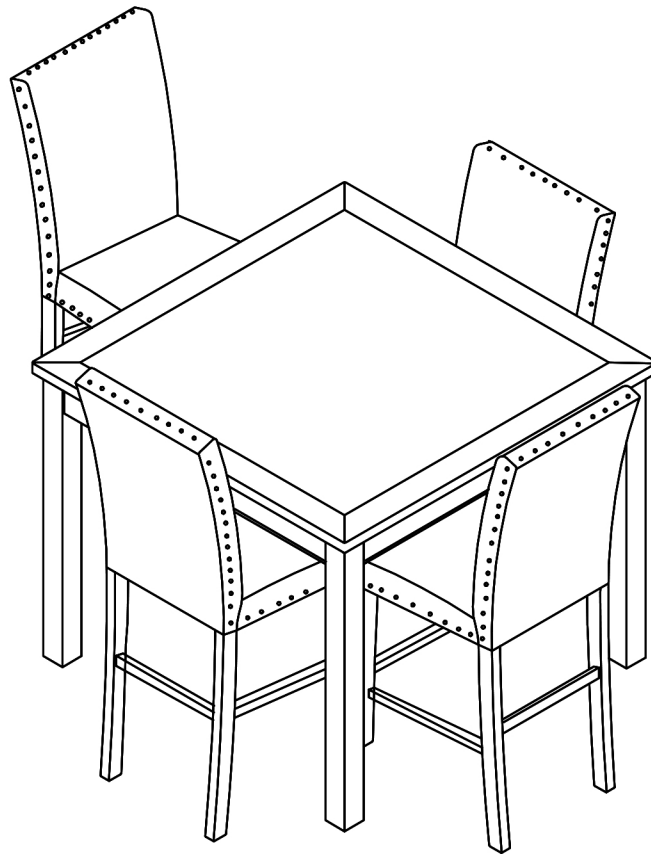


Assembly Instructions



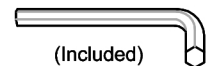
ASSEMBLY RATING

The Assembly Rating is a 5-point system that shows the degree of effort needed in assembling a specific product (with 1 being easy and 5 being difficult). For some products, two persons are recommended.

EASY  DIFFICULT

Tools Required For Assembly:

Allen Wrench



(Included)



2 PERSONS RECOMMENDED

ASSEMBLY & CARE ADVICE

FOR YOUR FURNITURE TO LAST, CORRECT ASSEMBLY AND PROPER MAINTENANCE ARE NECESSARY. PLEASE FOLLOW THE INFORMATION PROVIDED BELOW TO FULLY ENJOY YOUR FURNITURE.

BASIC ASSEMBLY TECHNIQUES



When lock or spring washer is used in an assembly, please make sure the lock or spring washer is placed between the larger flat washer and the head of the screw or bolt.



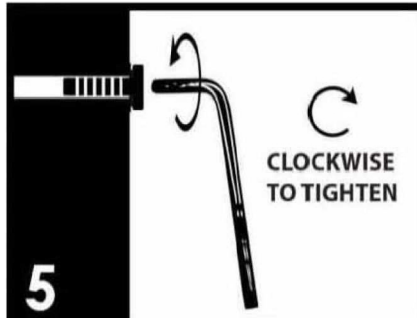
Position each part correctly and insert screws or bolts into their respective holes by hand tighten or using the proper hand tool. Only tighten when step is completed or when instructed to do so.



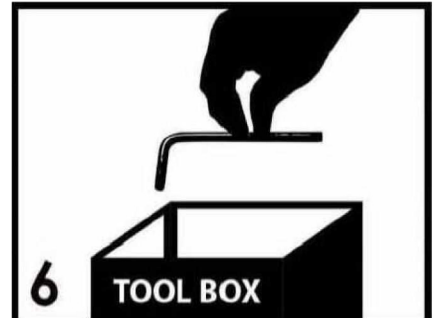
Use cardboard or carpet area when assembling furniture to prevent scratches. Make sure the furniture rests on a flat and level surface with each leg evenly touching the floor.



Some furniture comes with height adjustment knobs underneath each leg. To lower or to raise each leg, you need to turn clockwise or counterclockwise, respectively.



Make sure all parts are properly aligned, then use the appropriate hand tool to completely tighten the bolts or screws. Do not use power tools and do not overtighten.

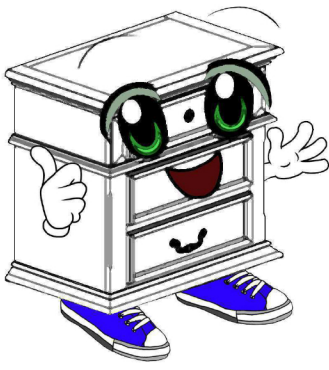


Save the instructions and store the Allen wrench or any supplied tool for later maintenance. After two weeks, check and tighten any loose hardware and repeat again every six months thereafter.

IT IS THE USER'S RESPONSIBILITY TO MAINTAIN THE FURNITURE. THE HARDWARE MAY LOOSEN OVER TIME AND MAY CAUSE THE FURNITURE TO BE WOBBLY AND UNABLE TO SUPPORT ITS INTENDED WEIGHT CAPACITY. THIS MAY LEAD TO COLLAPSE AND MAY CAUSE SERIOUS INJURY.



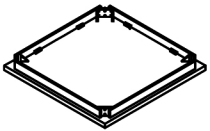
FAILURE TO FOLLOW THE GUIDELINES ABOVE MAY RESULT IN INJURY AND/OR PROPERTY DAMAGE.



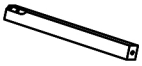
Before you begin, please read Page 2 of "Assembly and Care Advice".

And remember, do not tighten until each step is completed or instructed.

Parts List



#1 x 1pc
Table Top



#2 x 4pcs
Table Leg

Hardware List



#A x 1pc
Allen Wrench M5



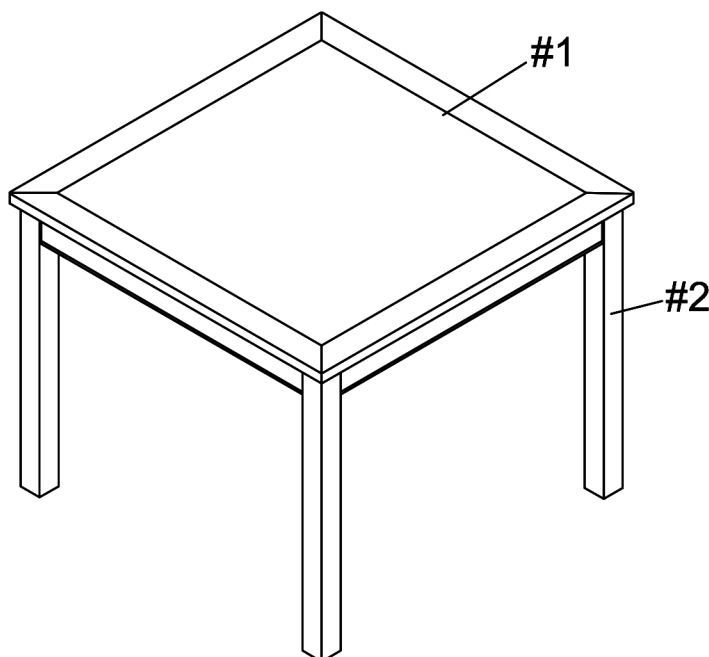
#B x 8pcs
Bolt 5/16" x 2"



#C x 8pcs
Lock Washer



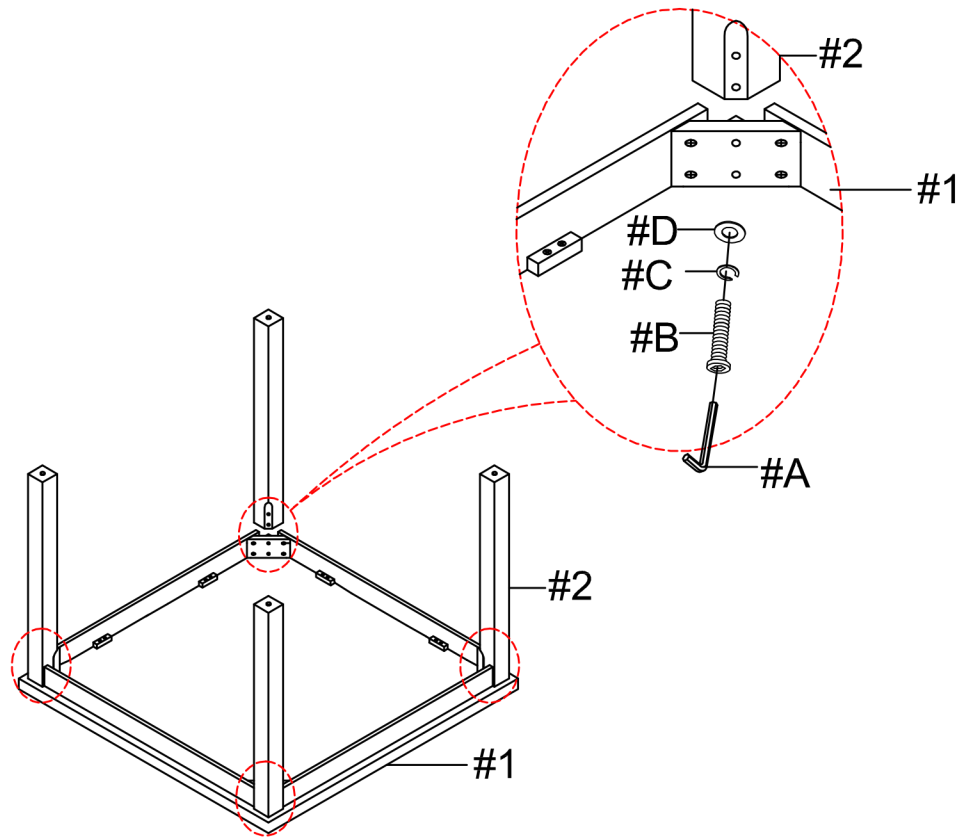
#D x 8pcs
Flat Washer



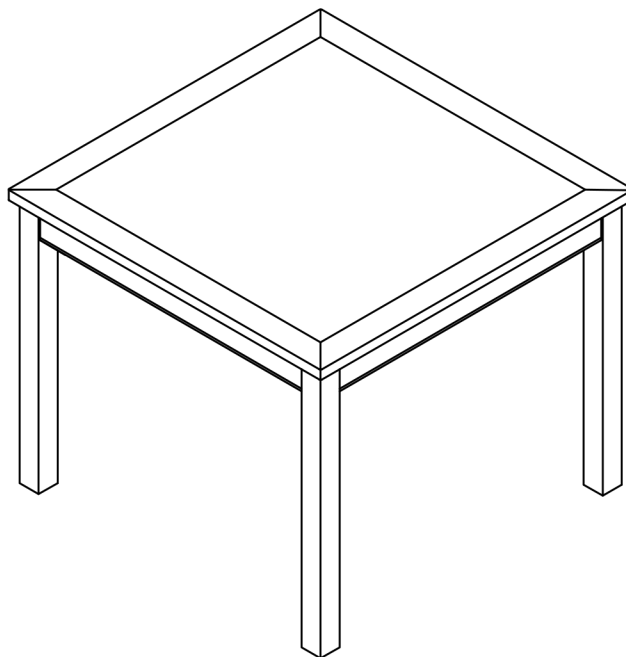


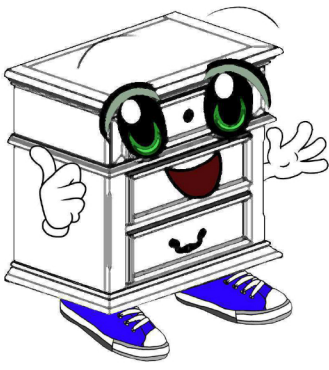
Prepare 8 bolts assembly by inserting lock washer (#C), then flat washer (#D) onto bolts (#B). Align table legs (#2) to the holes of the table top (#1). Secure by using bolts (#B).

#B x 8pcs
#C x 8pcs
#D x 8pcs



ASSEMBLY COMPLETED

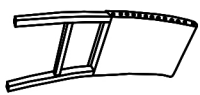




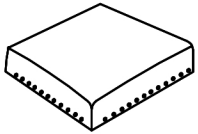
Before you begin, please read Page 2 of "Assembly and Care Advice".

And remember, do not tighten until each step is completed or instructed.

Parts List



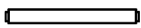
#1 x 1pc x 4
Backrest w/Legs



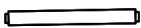
#2 x 1pc x 4
Seat Cushion



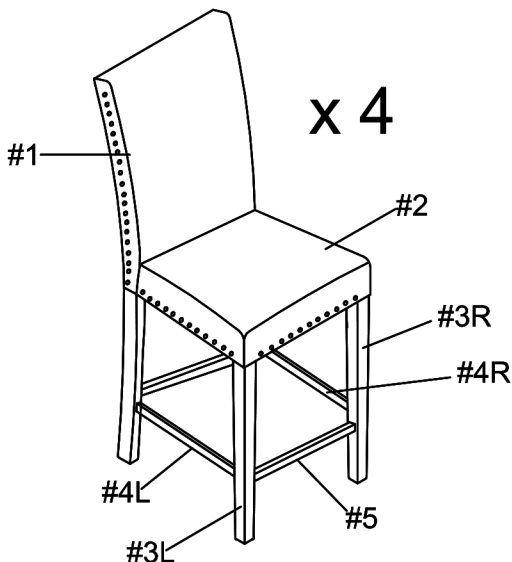
#3 x 2pcs x 4
Front Leg (L & R)



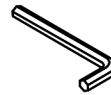
#4 x 1pc x 4
Front Stretcher



#5 x 2pcs x 4
Side Stretcher (L & R)



Hardware List



#A x 1pc x 4
Allen Wrench M5



#B x 4pcs x 4
Bolt 5/16" x 3-1/2"



#C x 4pcs x 4
Bolt 5/16" x 2-1/2"



#D x 2pcs x 4
Bolt 5/16" x 2"



#E x 10pcs x 4
Lock Washer



#F x 10pcs x 4
Flat Washer

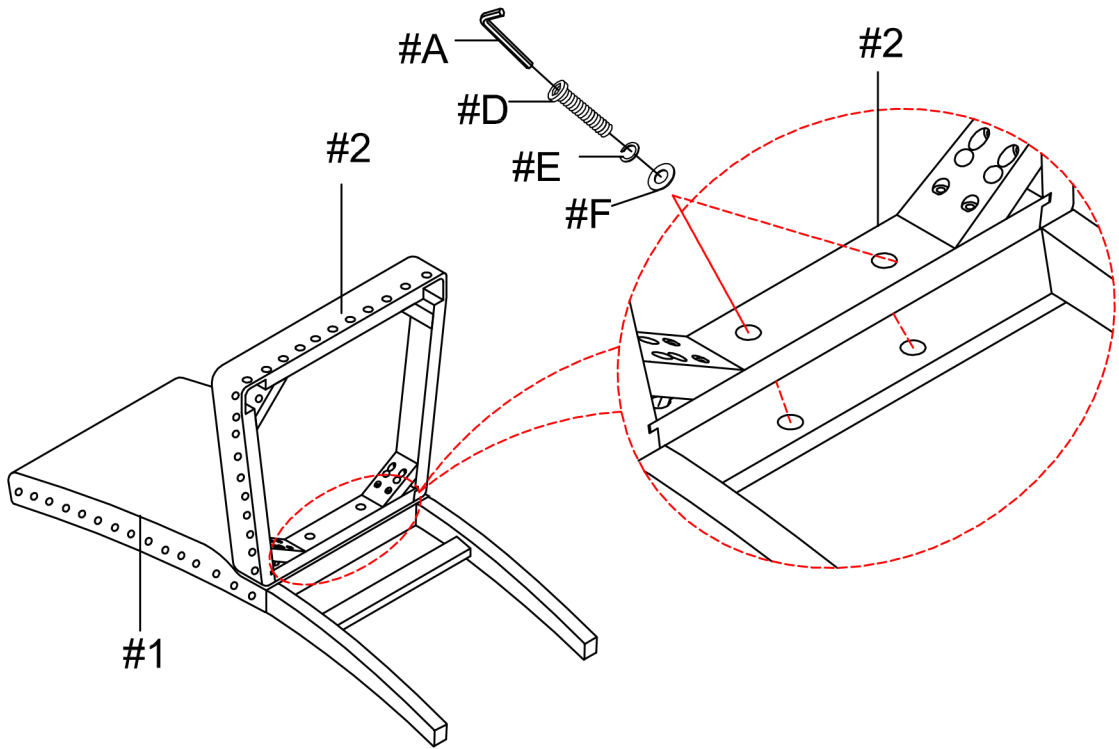


#G x 6pcs x 4
Screw M8*1-1/4"

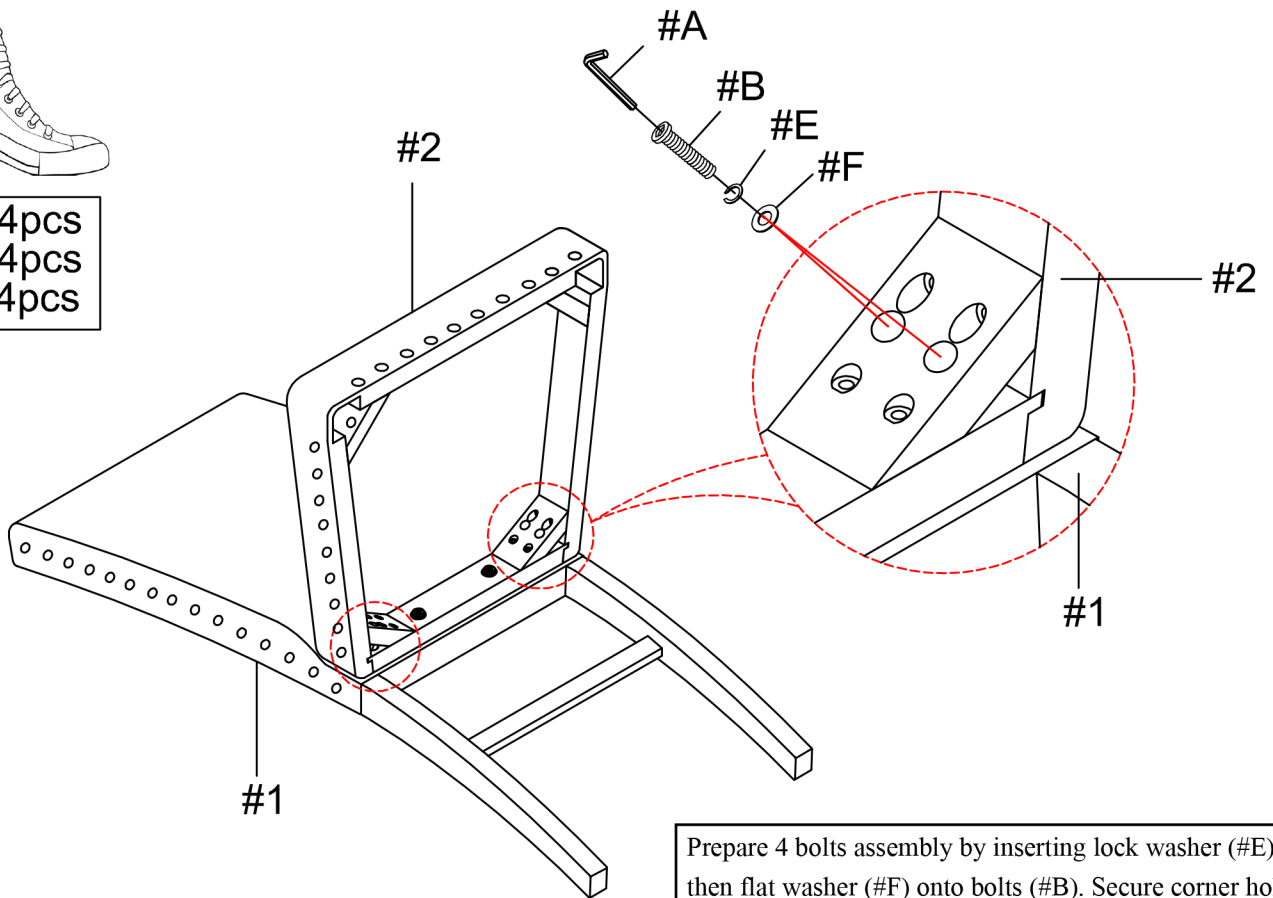


Prepare 4 bolts assembly by inserting lock washer (#E), then flat washer (#F) onto bolts (#D). Align seat (#2) to the holes of the chair back (#1). Secure middle two holes of the seat (#2) by using bolts (#D). Do not full tighten bolts (#D).

#D x 4pcs
#E x 4pcs
#F x 4pcs



#B x 4pcs
#E x 4pcs
#F x 4pcs

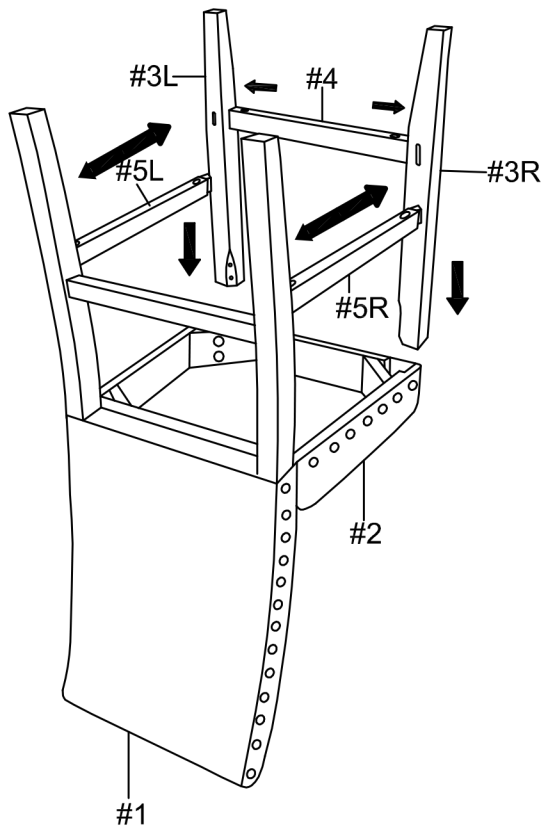


Prepare 4 bolts assembly by inserting lock washer (#E), then flat washer (#F) onto bolts (#B). Secure corner holes of the seat (#2) to chair back (#1) by using bolts (#B). Tighten all bolts (#B,D).



#3

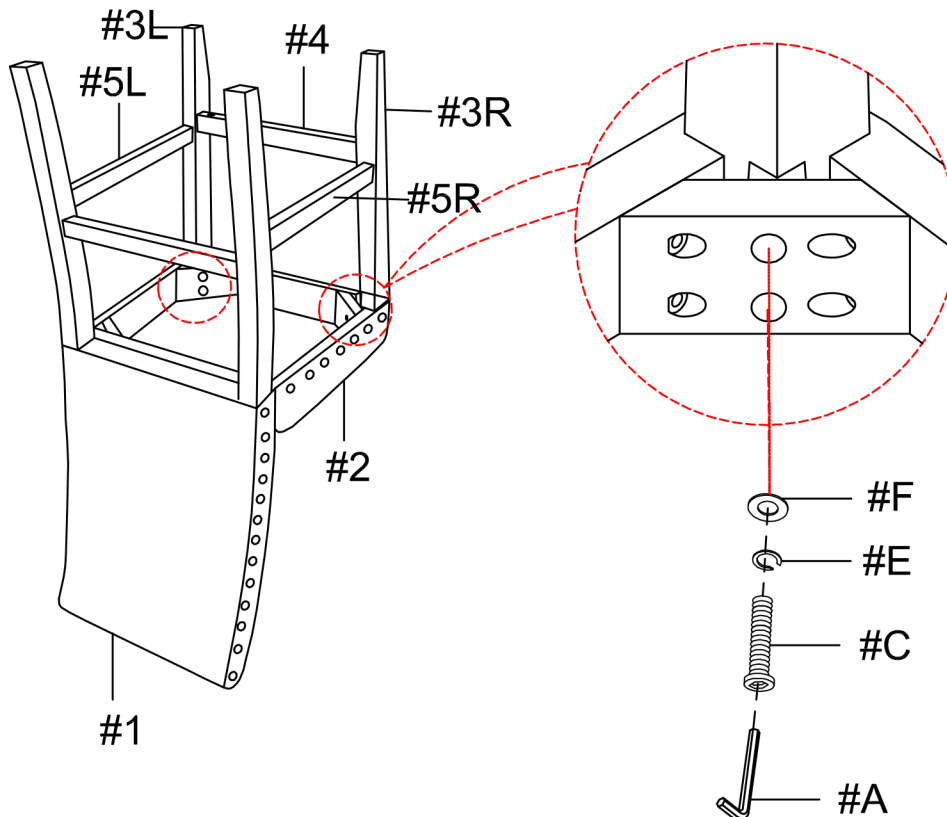
- 1) Align front legs (#3R/L) to the holes of the seat (#2)
- 2) Align stretchers (#4,5R/L) to the gaps on the legs of the chair.



#4

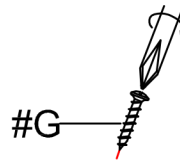
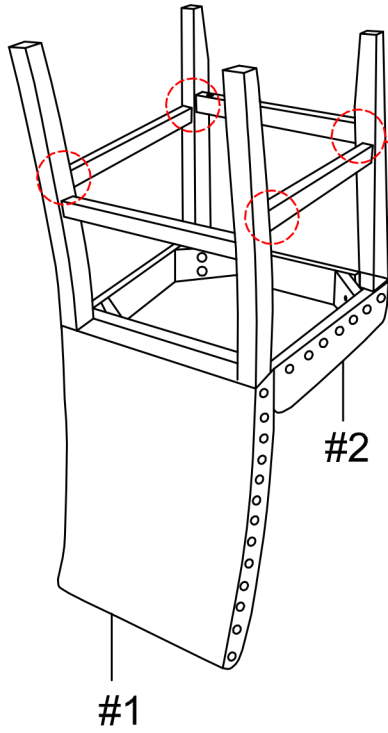
Prepare 4 bolts assembly by inserting lock washer (#E), then flat washer (#F) onto bolts (#C). Secure front legs (#3R/L) by using bolts (#C).

- #C x 4pcs
- #E x 4pcs
- #F x 4pcs

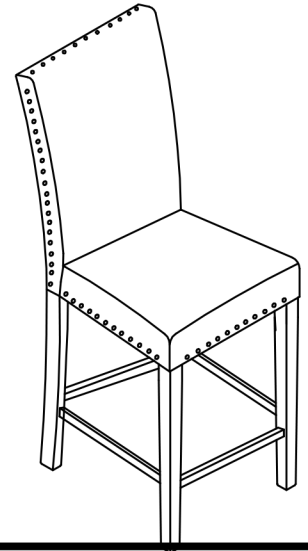




#G x 6pcs



Secure all stretchers to the chair legs by using screws (#G).



ASSEMBLY COMPLETED

