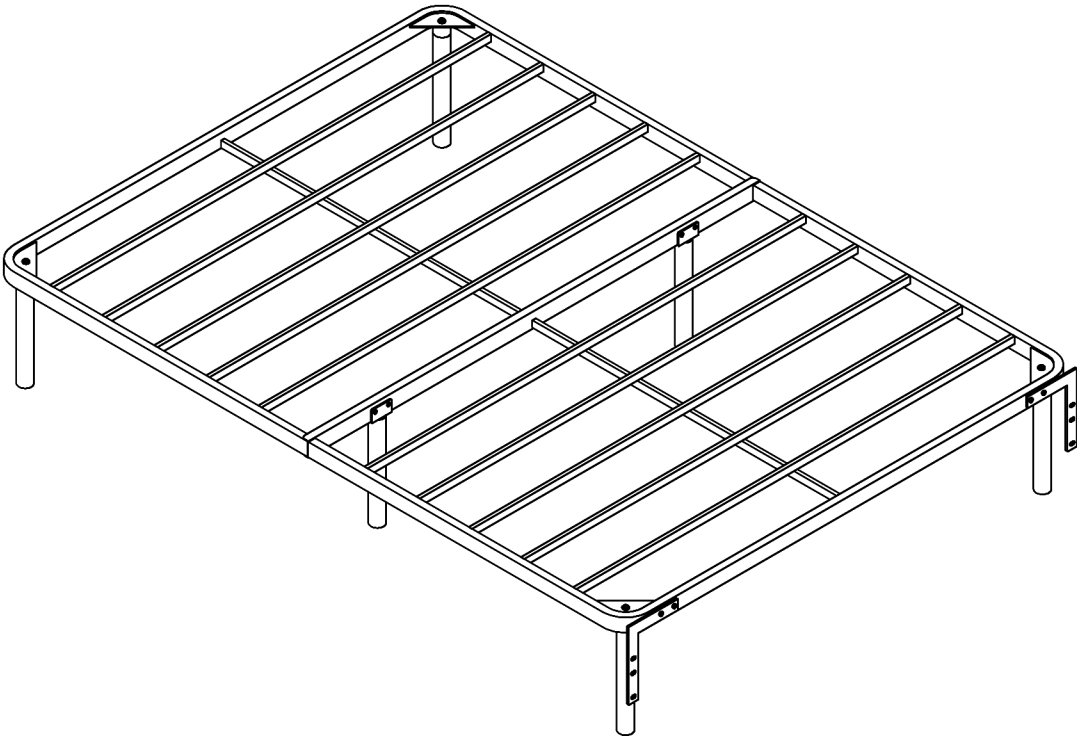


Assembly Instructions

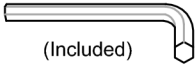


ASSEMBLY RATING

The Assembly Rating is a 5-point system that shows the degree of effort needed in assembling a specific product (with 1 being easy and 5 being difficult). For some products, two persons are recommended.

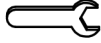
Tools Required For Assembly:

Allen Wrench



(Included)

Wrench



(Included)

EASY



DIFFICULT

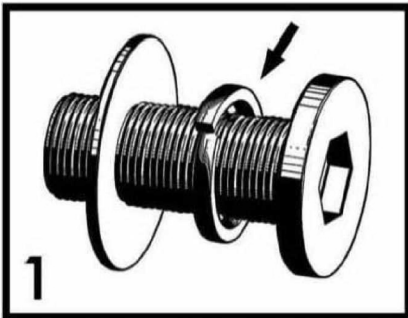


2 PERSONS RECOMMENDED

ASSEMBLY & CARE ADVICE

FOR YOUR FURNITURE TO LAST, CORRECT ASSEMBLY AND PROPER MAINTENANCE ARE NECESSARY. PLEASE FOLLOW THE INFORMATION PROVIDED BELOW TO FULLY ENJOY YOUR FURNITURE.

BASIC ASSEMBLY TECHNIQUES



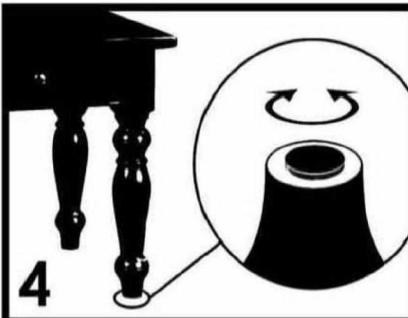
When lock or spring washer is used in an assembly, please make sure the lock or spring washer is placed between the larger flat washer and the head of the screw or bolt.



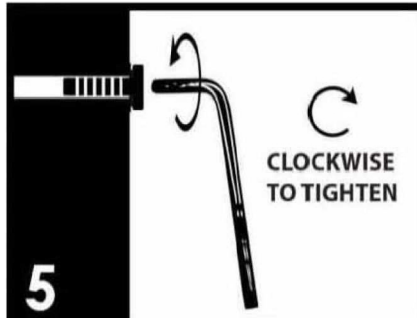
Position each part correctly and insert screws or bolts into their respective holes by hand tighten or using the proper hand tool. Only tighten when step is completed or when instructed to do so.



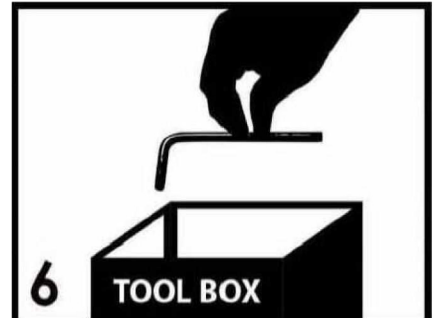
Use cardboard or carpet area when assembling furniture to prevent scratches. Make sure the furniture rests on a flat and level surface with each leg evenly touching the floor.



Some furniture comes with height adjustment knobs underneath each leg. To lower or to raise each leg, you need to turn clockwise or counterclockwise, respectively.



Make sure all parts are properly aligned, then use the appropriate hand tool to completely tighten the bolts or screws. Do not use power tools and do not overtighten.



Save the instructions and store the Allen wrench or any supplied tool for later maintenance. After two weeks, check and tighten any loose hardware and repeat again every six months thereafter.

IT IS THE USER'S RESPONSIBILITY TO MAINTAIN THE FURNITURE. THE HARDWARE MAY LOOSEN OVER TIME AND MAY CAUSE THE FURNITURE TO BE WOBBLY AND UNABLE TO SUPPORT ITS INTENDED WEIGHT CAPACITY. THIS MAY LEAD TO COLLAPSE AND MAY CAUSE SERIOUS INJURY.



FAILURE TO FOLLOW THE GUIDELINES ABOVE MAY RESULT IN INJURY AND/OR PROPERTY DAMAGE.



Before you begin, please read Page 2 of "Assembly and Care Advice".

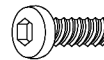
And remember, do not tighten until each step is completed or instructed.

Parts List

Hardware List



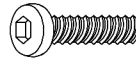
#1 x 1pc
Foot end frame



#A x 4pcs
Bolt 5/16"x3/4"



#2 x 1pc
Head end frame



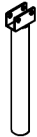
#B x 4pcs
Bolt 5/16"x1-3/8"



#3 x 4pcs
Corner Support Legs



#C x 8pcs
Flat Washer



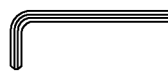
#4 x 2pcs
Middle Support Legs



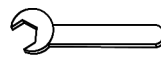
#D x 4pcs
NUT



#5 x 2pcs
L metal plate



#E x 1pc
Allen Wrench M5



#F x 1pc
Wrench



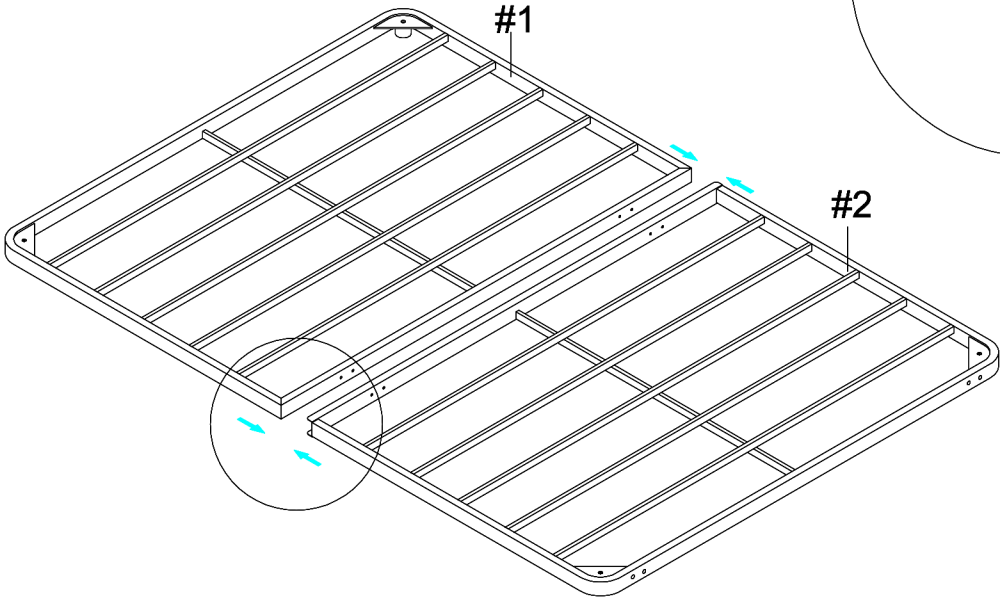
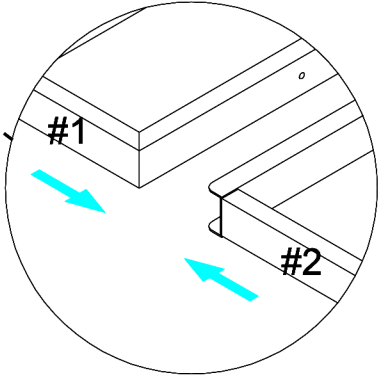
#G x 4pcs
BOLT 1/4"x5/8"



#H x 1pc
Allen Wrench M4

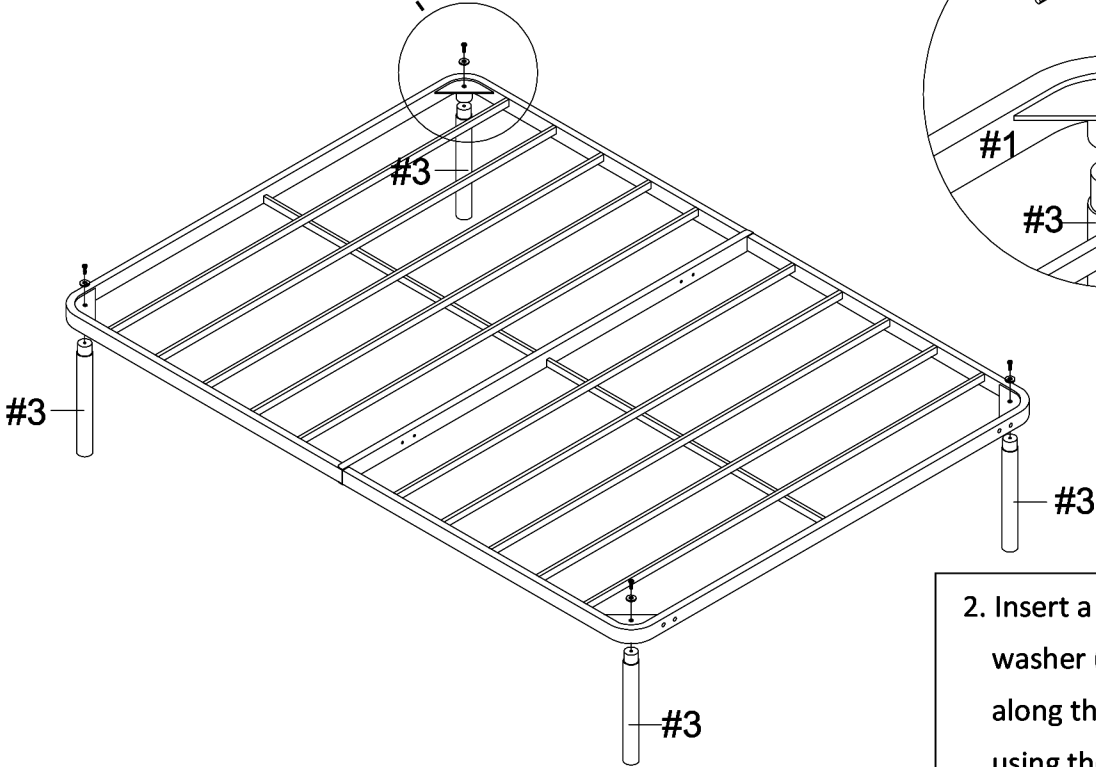
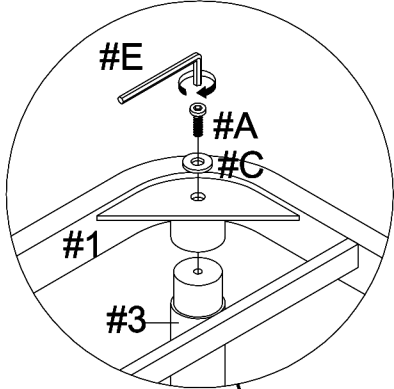


Align the holes along the foot end frame (#1) and the head end frame (#2)



1. Insert the corner support legs (#3) into the holes along the corners.

#A x 4pcs
#C x 4pcs

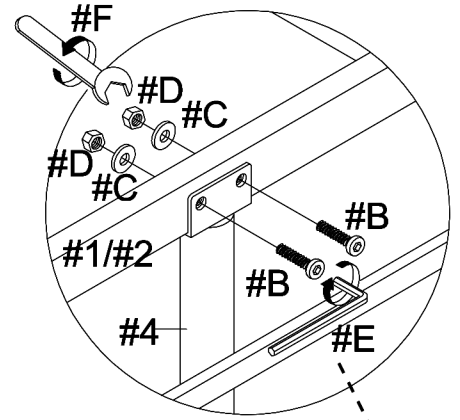


2. Insert a bolt (#A) with flat washer (#C) into the holes along the frames. Secure using the Allen wrench (#E).

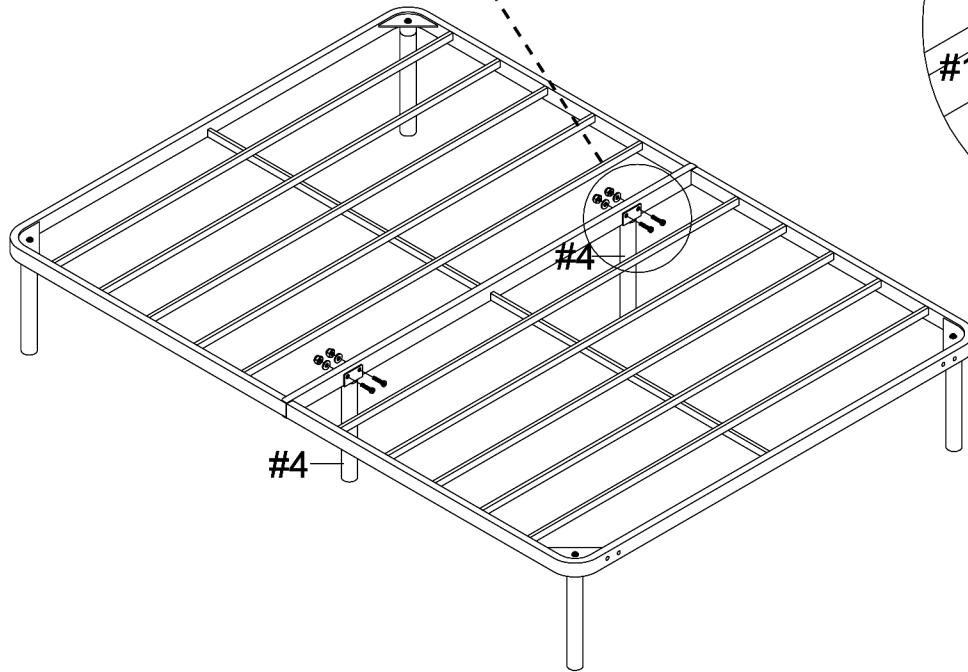


1. Align the middle support legs (#4) to the holes along the center connection.

#B x 4pcs
#C x 4pcs
#D x 4pcs

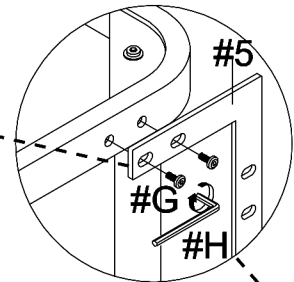


2. Insert a bolt (#B) into one side, then apply a flat washer (#C) and nut (#D) onto the other end.



#G x 4pcs

1. Align the L metal plates (#5) to the holes along the frame and legs.



2. Insert a bolt (#G) into each hole and secure using the Allen wrench.

