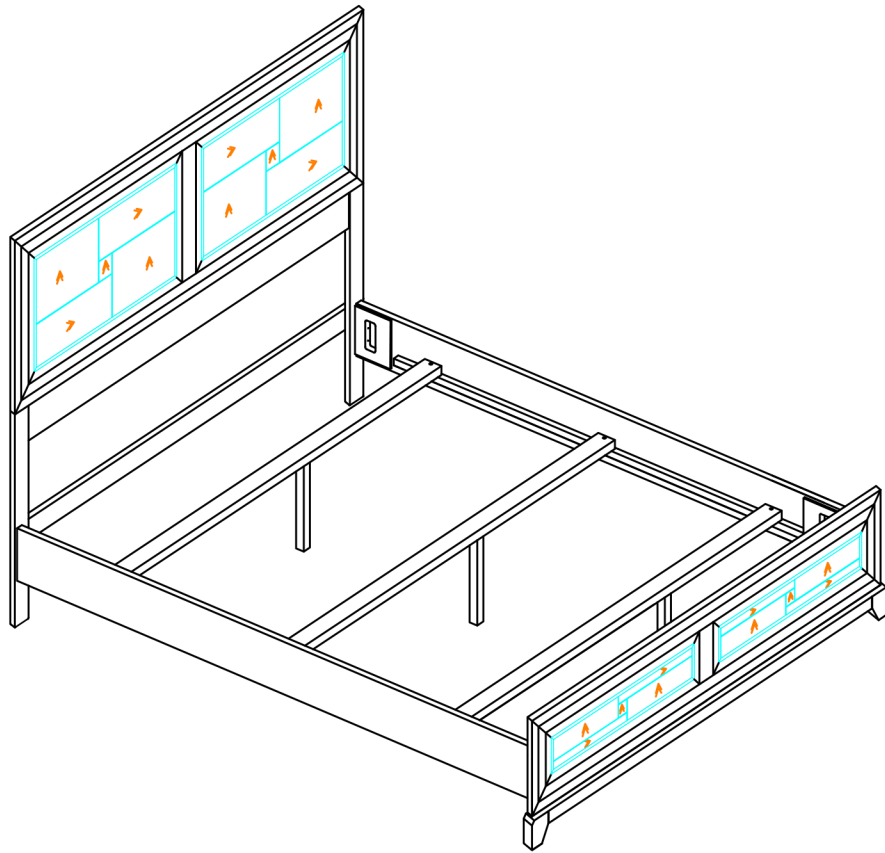


Assembly Instructions



ASSEMBLY RATING

The Assembly Rating is a 5-point system that shows the degree of effort needed in assembling a specific product (with 1 being easy and 5 being difficult). For some products, two persons are recommended.

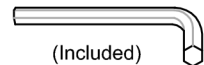
EASY



DIFFICULT

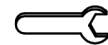
Tools Required For Assembly:

Allen Wrench



(Included)

Wrench



(Included)

Phillips Screwdriver



(Not Included)

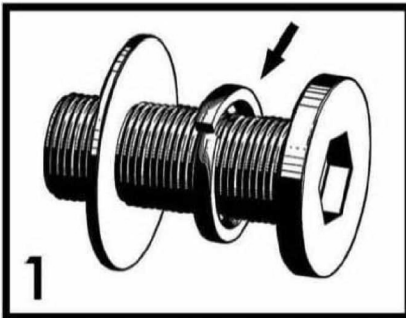


2 PERSONS RECOMMENDED

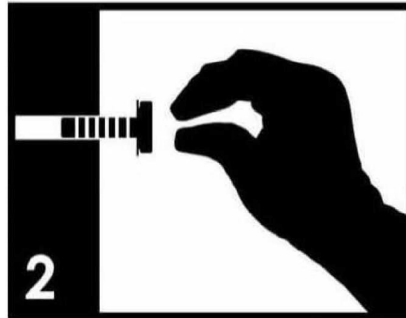
ASSEMBLY & CARE ADVICE

FOR YOUR FURNITURE TO LAST, CORRECT ASSEMBLY AND PROPER MAINTENANCE ARE NECESSARY. PLEASE FOLLOW THE INFORMATION PROVIDED BELOW TO FULLY ENJOY YOUR FURNITURE.

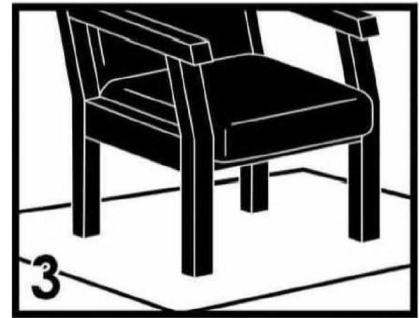
BASIC ASSEMBLY TECHNIQUES



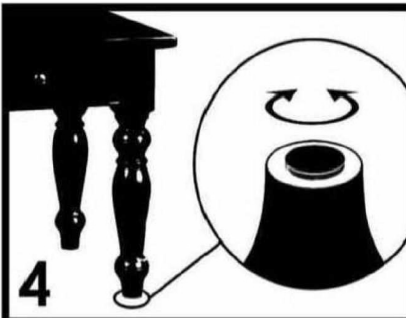
When lock or spring washer is used in an assembly, please make sure the lock or spring washer is placed between the larger flat washer and the head of the screw or bolt.



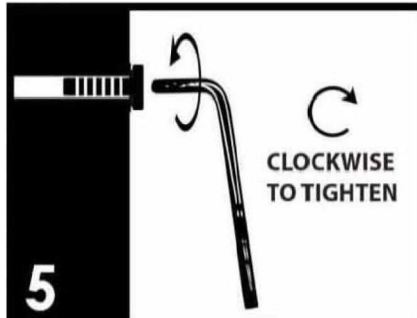
Position each part correctly and insert screws or bolts into their respective holes by hand tighten or using the proper hand tool. Only tighten when step is completed or when instructed to do so.



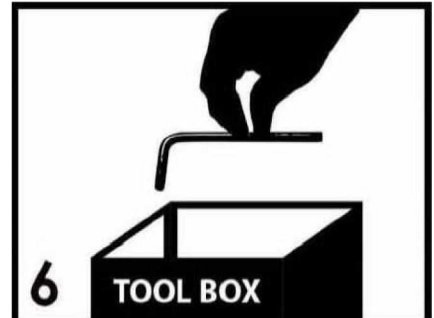
Use cardboard or carpet area when assembling furniture to prevent scratches. Make sure the furniture rests on a flat and level surface with each leg evenly touching the floor.



Some furniture comes with height adjustment knobs underneath each leg. To lower or to raise each leg, you need to turn clockwise or counterclockwise, respectively.



Make sure all parts are properly aligned, then use the appropriate hand tool to completely tighten the bolts or screws. Do not use power tools and do not overtighten.

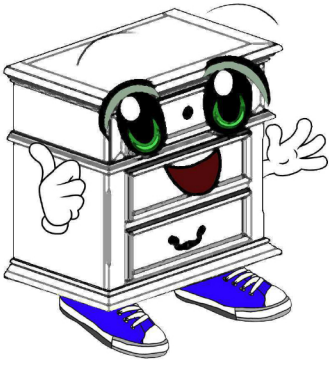


Save the instructions and store the Allen wrench or any supplied tool for later maintenance. After two weeks, check and tighten any loose hardware and repeat again every six months thereafter.

IT IS THE USER'S RESPONSIBILITY TO MAINTAIN THE FURNITURE. THE HARDWARE MAY LOOSEN OVER TIME AND MAY CAUSE THE FURNITURE TO BE WOBBLY AND UNABLE TO SUPPORT ITS INTENDED WEIGHT CAPACITY. THIS MAY LEAD TO COLLAPSE AND MAY CAUSE SERIOUS INJURY.



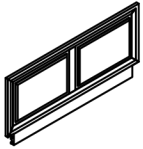
FAILURE TO FOLLOW THE GUIDELINES ABOVE MAY RESULT IN INJURY AND/OR PROPERTY DAMAGE.



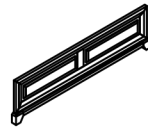
Before you begin, please read Page 2 of "Assembly and Care Advice".

And remember, do not tighten until each step is completed or instructed.

Parts List



#1 x 1pc
Headboard



#2 x 1pc
Footboard



#3 x 3pcs
Slat



#4 x 2pcs
Side Rail



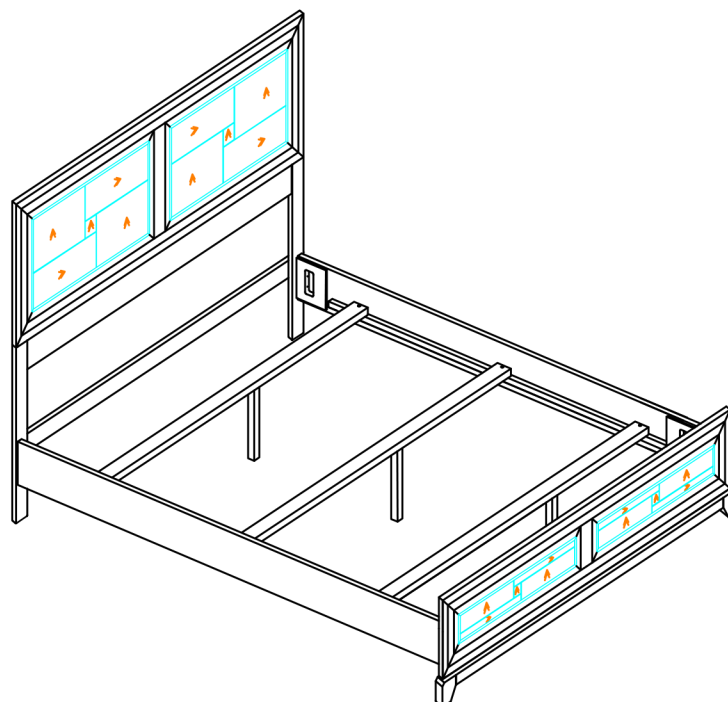
#5 x 3pcs
Slat Support Leg

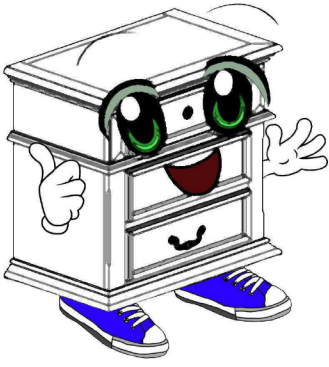


#6 x 1pc
Headboard bottom rail



#7 x 2pcs
Headboard Leg

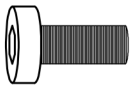




Before you begin, please read Page 2 of "Assembly and Care Advice".

And remember, do not tighten until each step is completed or instructed.

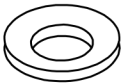
Hardware List



#A x 10pcs
Bolt 5/16"X1"



#B x 18pcs
Lock Washer



#C x 18pcs
Flat Washer



#D x 1pc
Allen Wrench



#E x 8pcs
Bolt 5/16"X3-1/2"



#F x 8pcs
Hex Nut



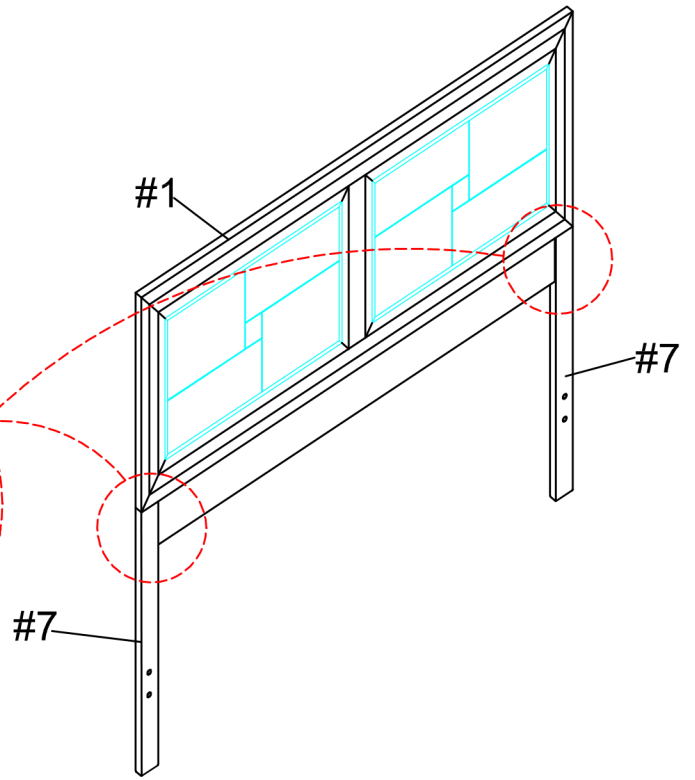
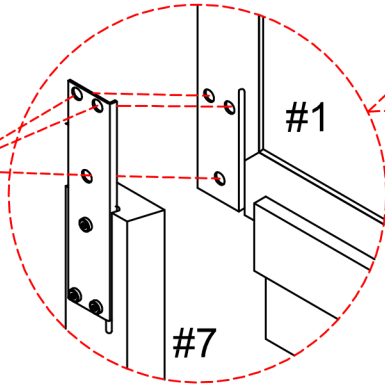
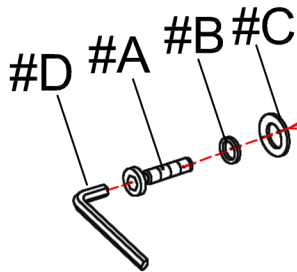
#G x 1pc
Wrench 12mm



#H x 6pcs
Screw



#A x 6pcs
 #B x 6pcs
 #C x 6pcs

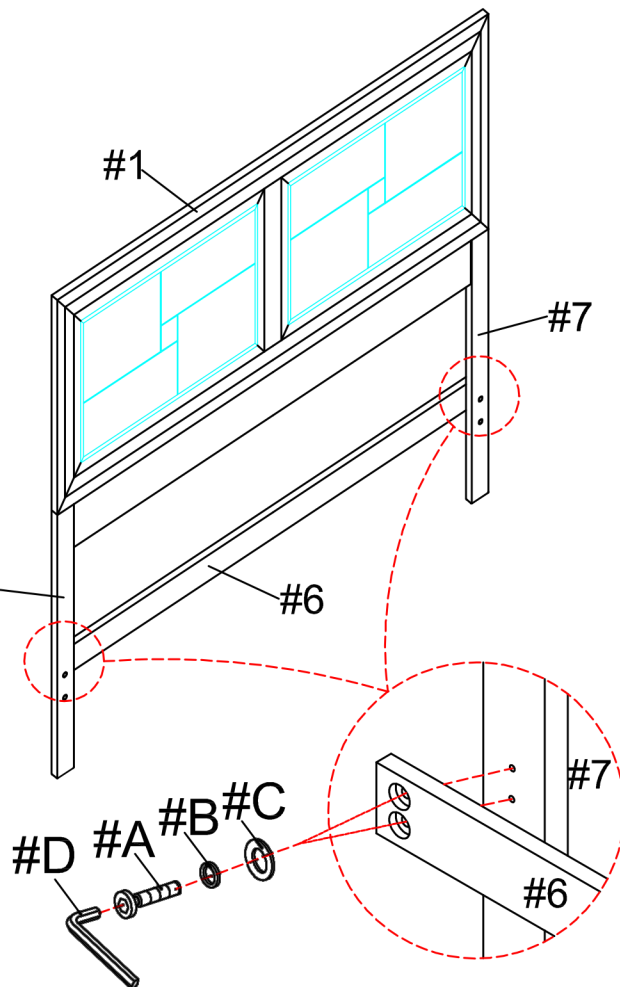


- I. Align the headboard legs (#7) with the pre-drilled holes of the headboard (#1).
- II. Prepare 6 bolt assemblies by inserting FIRST the lock washer (#B) onto the bolt (#A) and then the flat washer (#C) onto that SAME bolt (#A), in that order.
- III. Insert the bolt assemblies through the legs (#7) using the Allen wrench (#D) to lock them with the headboard (#1).



#A x 4pcs
 #B x 4pcs
 #C x 4pcs

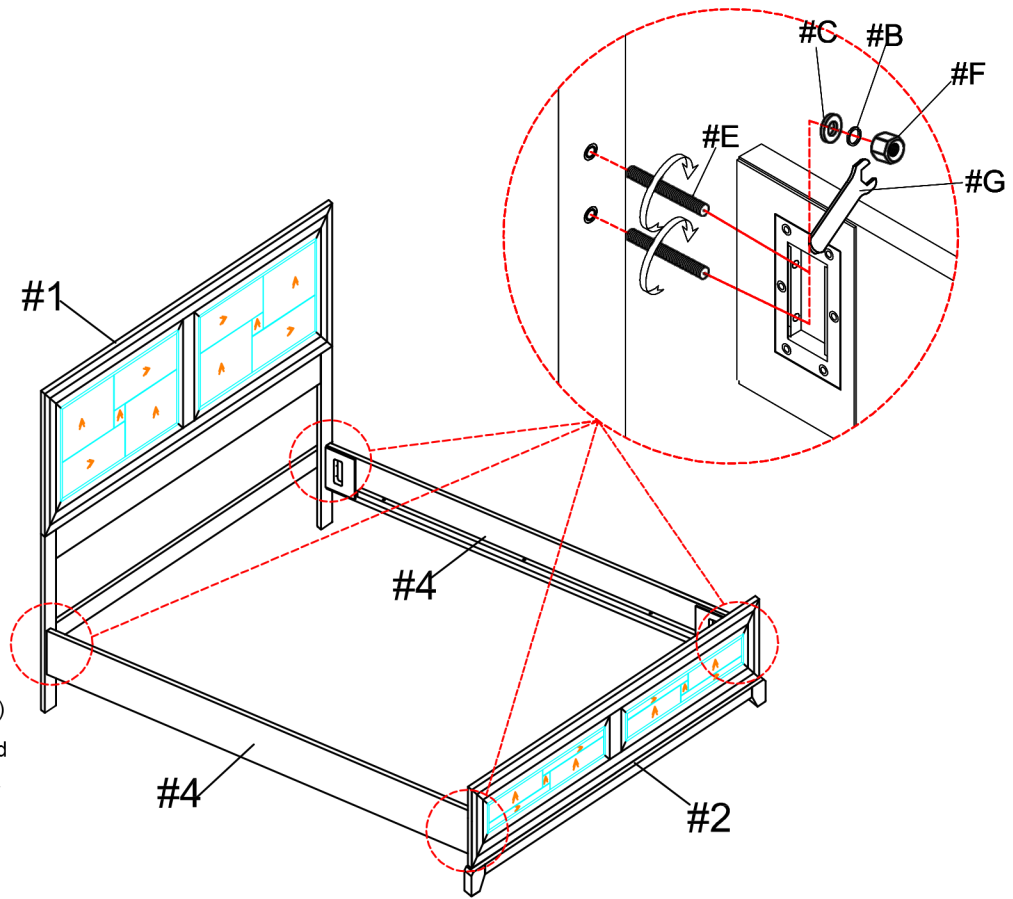
- I. Align the headboard bottom rail (#6) with the pre-drilled holes of the headboard (#1).
- II. Prepare 4 bolt assemblies by inserting FIRST the lock washer (#B) onto the bolt (#A) and then the flat washer (#C) onto that SAME bolt (#A), in that order. Secure using the Allen wrench (#D).



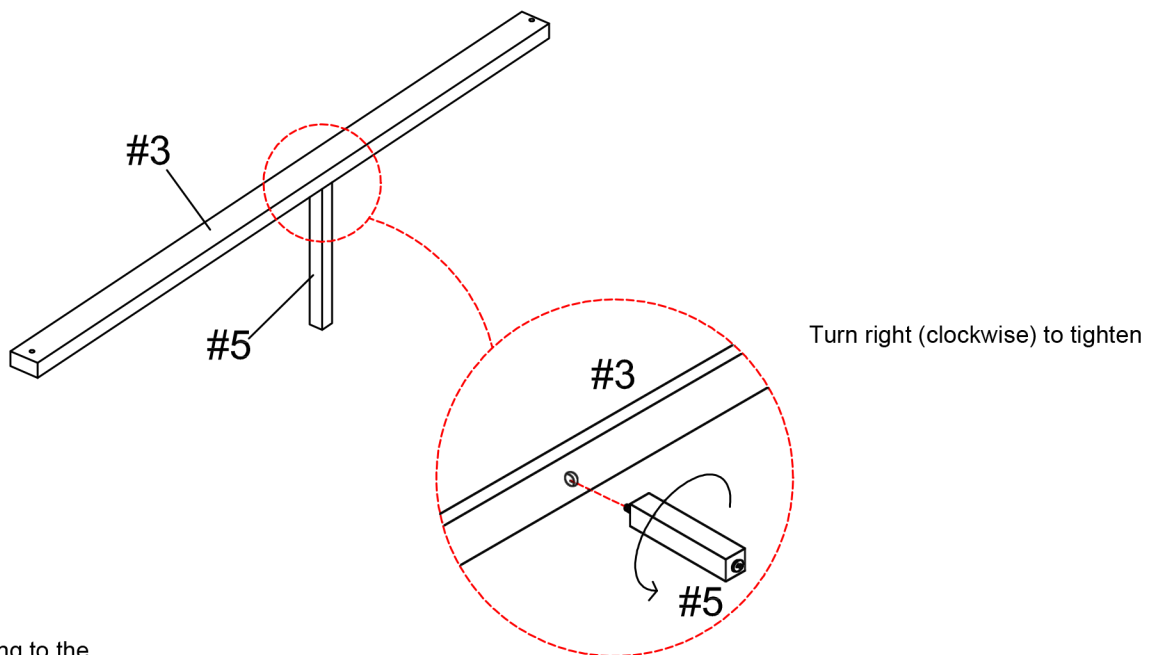


#C x 8pcs
 #B x 8pcs
 #E x 8pcs
 #F x 8pcs

- I. Insert 2 bolts (#E) into the pre-drilled holes located on the corners of the headboard and footboard. Twist to the right by hand.
- II. Insert the pre-drilled holes on the side rails (#4) onto the bolts (#E).
- III. Insert the the flat washer (#C) then the lock washer (#B) and the hex nut (#F), in that order onto the bolts (#E). Secure within the side rails (#4) by using the wrench (#G).



Align the threaded end of the slat support legs (#5) with the pre-drilled holes of the slats (#3) and tighten by hand until secured. Repeat the process for the remaining support legs (#5).



Adjust the leveler according to the ground level. To lower or to raise the slat support leg, you need to turn the leveler clockwise or counterclockwise, respectively.

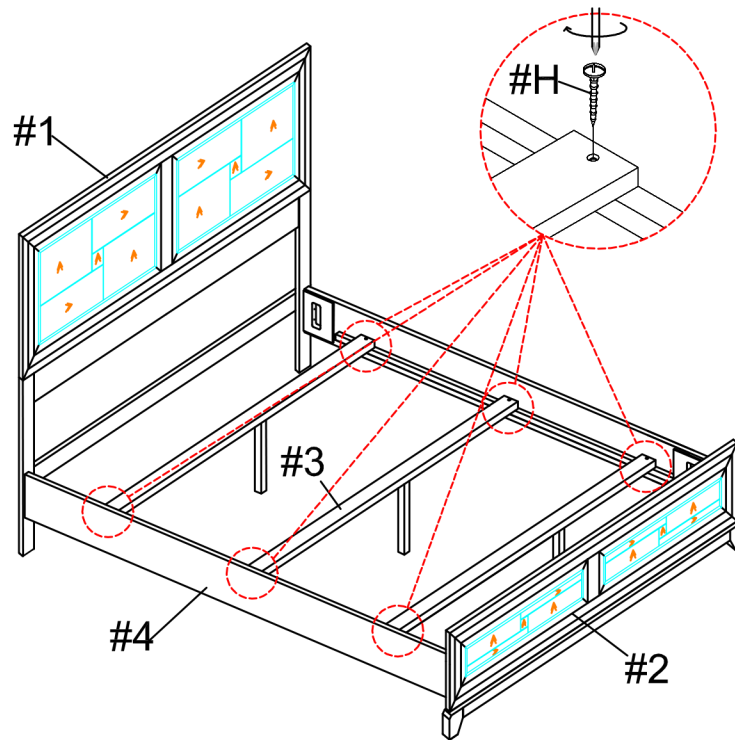
x 3



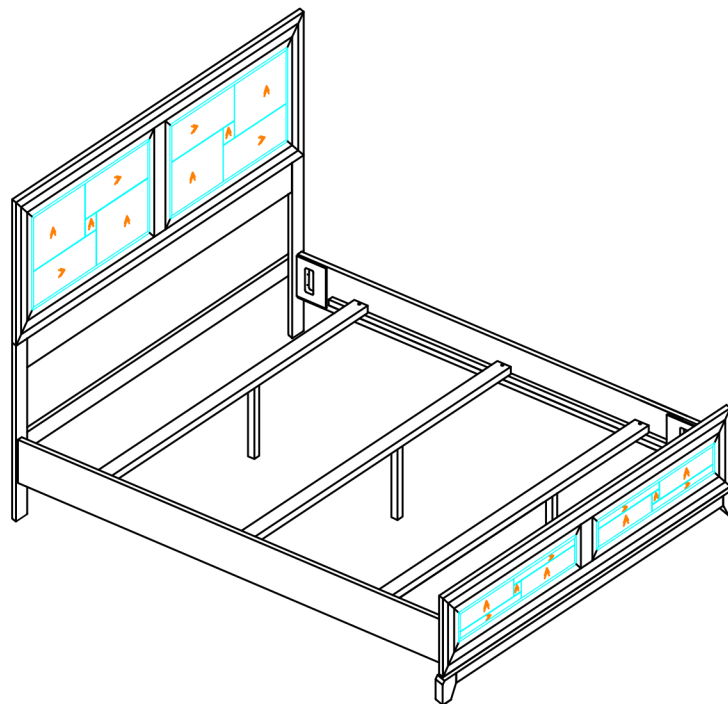
#5

Align the ends of the slats (#3) with the pre-drilled holes on each side of the side rails (#4).
Secure 8 screws (#H) onto each end of the slats (#3) by using a Phillips screwdriver.

#H x 6pcs

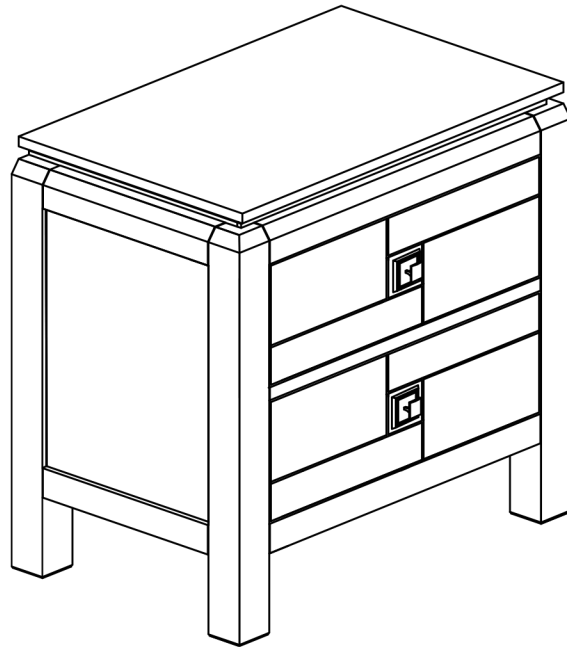


#6



ASSEMBLY IS COMPLETED

Assembly Instructions



ASSEMBLY RATING

The Assembly Rating is a 5-point system that shows the degree of effort needed in assembling a specific product (with 1 being easy and 5 being difficult). For some products, two persons are recommended.

EASY



DIFFICULT

Tools Required For Assembly:

Phillips Screwdriver



(Not Included)

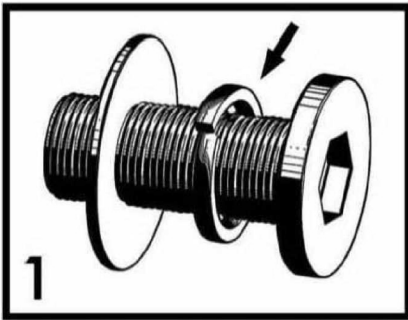


2 PERSONS RECOMMENDED

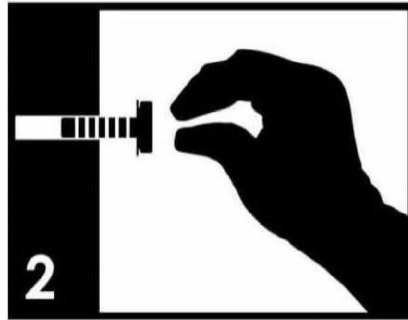
ASSEMBLY & CARE ADVICE

FOR YOUR FURNITURE TO LAST, CORRECT ASSEMBLY AND PROPER MAINTENANCE ARE NECESSARY. PLEASE FOLLOW THE INFORMATION PROVIDED BELOW TO FULLY ENJOY YOUR FURNITURE.

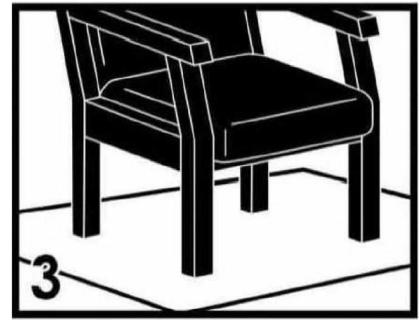
BASIC ASSEMBLY TECHNIQUES



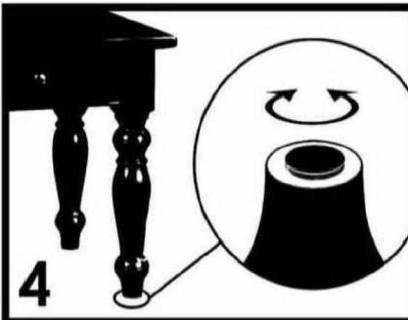
When lock or spring washer is used in an assembly, please make sure the lock or spring washer is placed between the larger flat washer and the head of the screw or bolt.



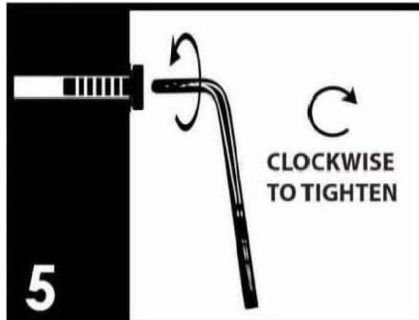
Position each part correctly and insert screws or bolts into their respective holes by hand tighten or using the proper hand tool. Only tighten when step is completed or when instructed to do so.



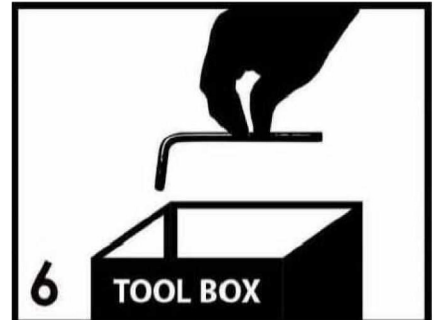
Use cardboard or carpet area when assembling furniture to prevent scratches. Make sure the furniture rests on a flat and level surface with each leg evenly touching the floor.



Some furniture comes with height adjustment knobs underneath each leg. To lower or to raise each leg, you need to turn clockwise or counterclockwise, respectively.



Make sure all parts are properly aligned, then use the appropriate hand tool to completely tighten the bolts or screws. Do not use power tools and do not overtighten.

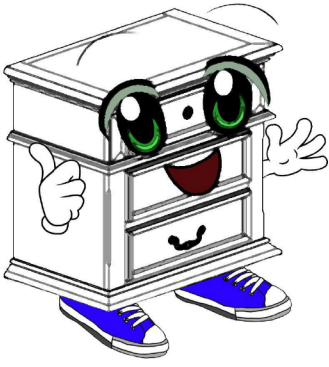


Save the instructions and store the Allen wrench or any supplied tool for later maintenance. After two weeks, check and tighten any loose hardware and repeat again every six months thereafter.

IT IS THE USER'S RESPONSIBILITY TO MAINTAIN THE FURNITURE. THE HARDWARE MAY LOOSEN OVER TIME AND MAY CAUSE THE FURNITURE TO BE WOBBLY AND UNABLE TO SUPPORT ITS INTENDED WEIGHT CAPACITY. THIS MAY LEAD TO COLLAPSE AND MAY CAUSE SERIOUS INJURY.



FAILURE TO FOLLOW THE GUIDELINES ABOVE MAY RESULT IN INJURY AND/OR PROPERTY DAMAGE.



Before you begin, please read Page 2 of "Assembly and Care Advice".

And remember, do not tighten until each step is completed or instructed.

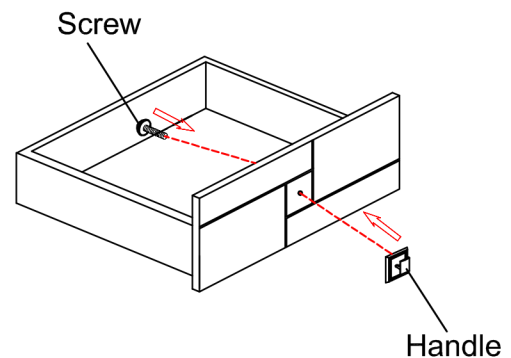
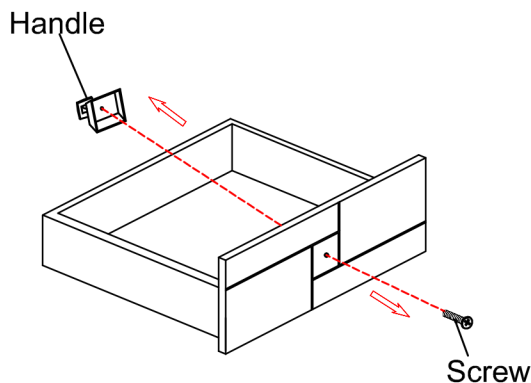
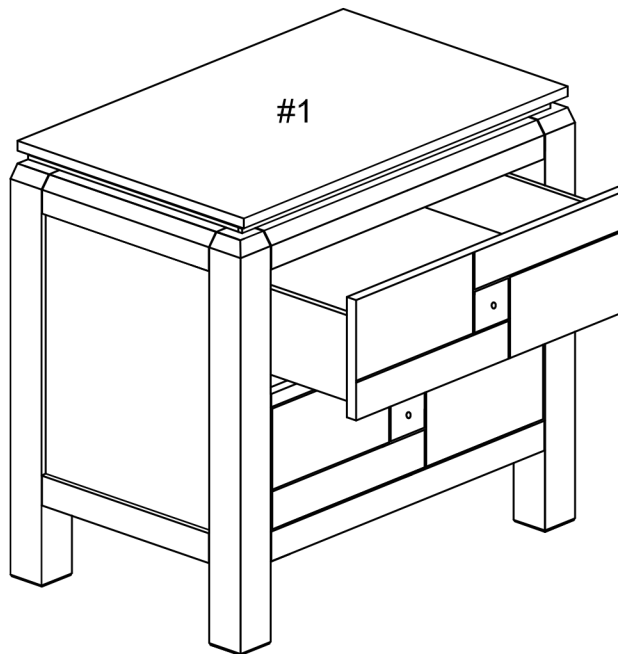
Parts List



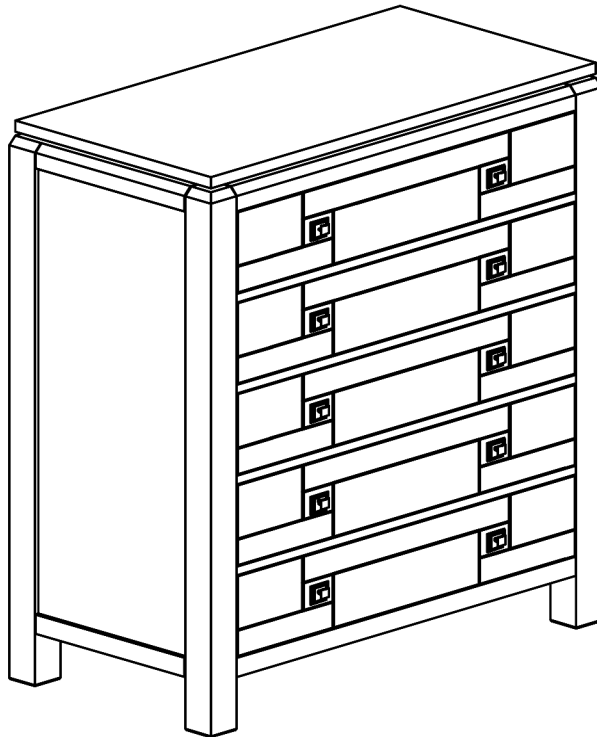
#1 x 1pc
Nightstand



- I. Take out drawers.
- II. Align the handle to the pre-drilled hole on the front of the drawer and insert the screw on the inner part of the drawer. Secure using the Phillips screwdriver.



Assembly Instructions

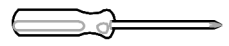


ASSEMBLY RATING

The Assembly Rating is a 5-point system that shows the degree of effort needed in assembling a specific product (with 1 being easy and 5 being difficult). For some products, two persons are recommended.

Tools Required For Assembly:

Phillips Screwdriver



(Not Included)

EASY



DIFFICULT

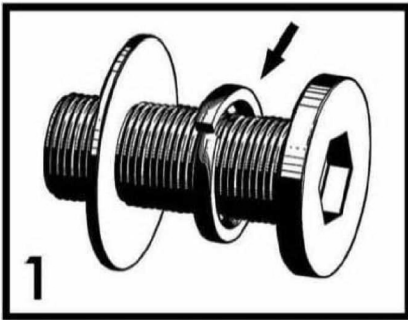


2 PERSONS RECOMMENDED

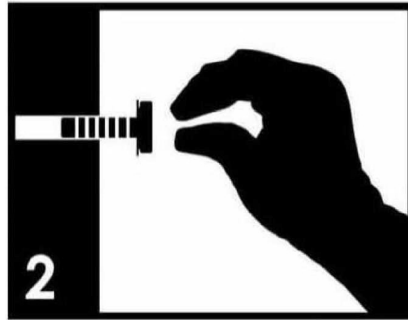
ASSEMBLY & CARE ADVICE

FOR YOUR FURNITURE TO LAST, CORRECT ASSEMBLY AND PROPER MAINTENANCE ARE NECESSARY. PLEASE FOLLOW THE INFORMATION PROVIDED BELOW TO FULLY ENJOY YOUR FURNITURE.

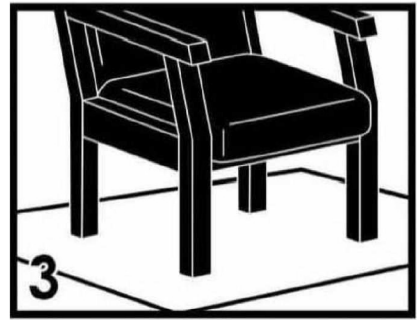
BASIC ASSEMBLY TECHNIQUES



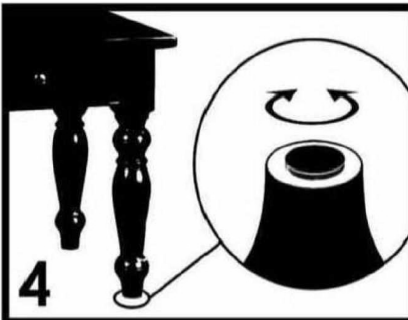
When lock or spring washer is used in an assembly, please make sure the lock or spring washer is placed between the larger flat washer and the head of the screw or bolt.



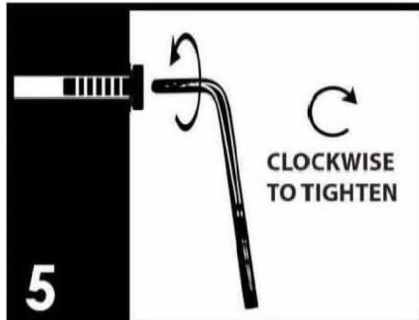
Position each part correctly and insert screws or bolts into their respective holes by hand tighten or using the proper hand tool. Only tighten when step is completed or when instructed to do so.



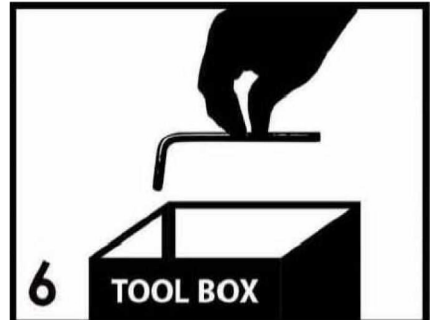
Use cardboard or carpet area when assembling furniture to prevent scratches. Make sure the furniture rests on a flat and level surface with each leg evenly touching the floor.



Some furniture comes with height adjustment knobs underneath each leg. To lower or to raise each leg, you need to turn clockwise or counterclockwise, respectively.



Make sure all parts are properly aligned, then use the appropriate hand tool to completely tighten the bolts or screws. Do not use power tools and do not overtighten.

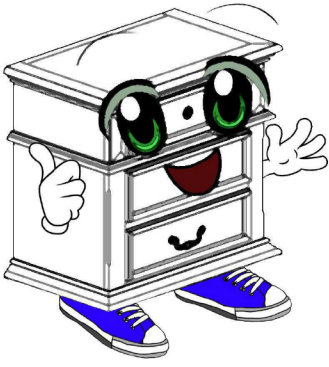


Save the instructions and store the Allen wrench or any supplied tool for later maintenance. After two weeks, check and tighten any loose hardware and repeat again every six months thereafter.

IT IS THE USER'S RESPONSIBILITY TO MAINTAIN THE FURNITURE. THE HARDWARE MAY LOOSEN OVER TIME AND MAY CAUSE THE FURNITURE TO BE WOBBLY AND UNABLE TO SUPPORT ITS INTENDED WEIGHT CAPACITY. THIS MAY LEAD TO COLLAPSE AND MAY CAUSE SERIOUS INJURY.



FAILURE TO FOLLOW THE GUIDELINES ABOVE MAY RESULT IN INJURY AND/OR PROPERTY DAMAGE.

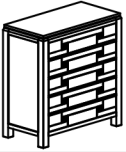


Before you begin, please read Page 2 of "Assembly and Care Advice".

And remember, do not tighten until each step is completed or instructed.

Parts List

Hardware List



#1 x 1pc
Chest of drawers



#A x 2pcs
L-Bracket



#B x 1pc
Cable Tie



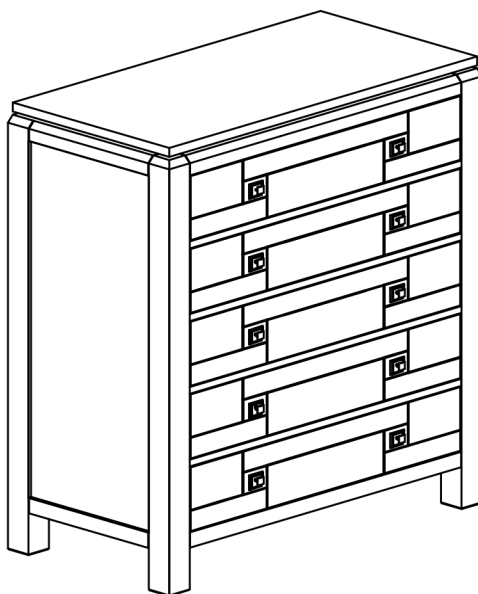
#C x 1pc
Long Screw



#D x 1pc
Short Screw

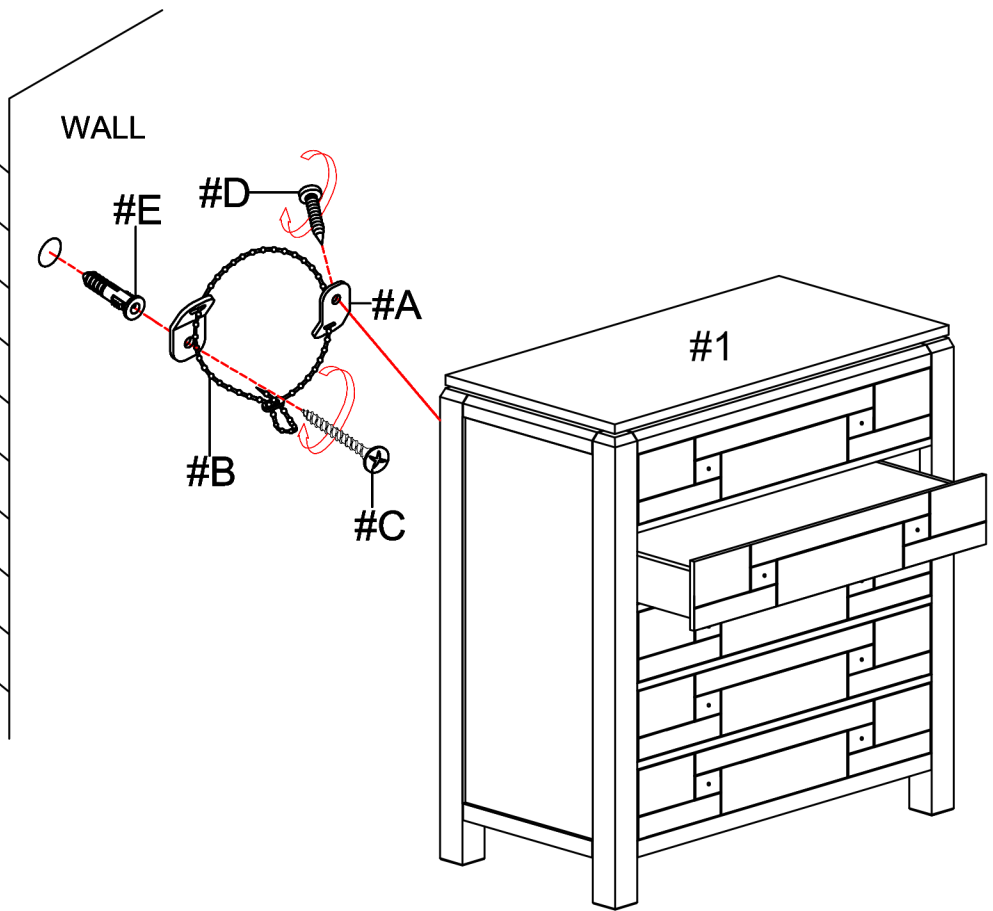


#E x 1pc
Plastic Anchor





- I. Determine exactly where you want to drill a hole and mark the spot(s). Be sure that you hold the drill perpendicular to the wall so that the anchor will sit parallel. You should drill a hole that is approximately the same size as the plastic anchor (#E) itself. Insert anchor.
- II. Insert the cable tie (#B) into the L-brackets (#A). Align one to the pre-drilled hole on the plastic anchor (#E) and the other one to the pre-drilled hole on the chest.
- III. Insert long screw (#C) into the anchor in the wall and secure using the Phillips screwdriver. Then insert the short screw (#D) into the L-bracket to lock it with the chest. Secure using the Phillips screwdriver.



Align the handle to the pre-drilled holes on the front of the drawers. Insert the screws on the inner part of the drawers and secure using the Phillips screwdriver.

