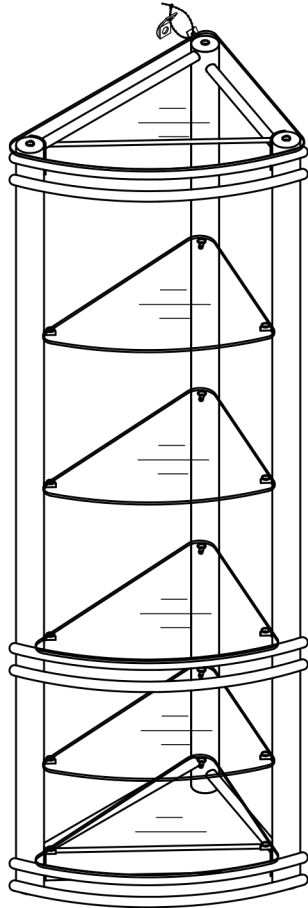
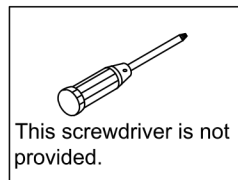


# Assembly Instructions

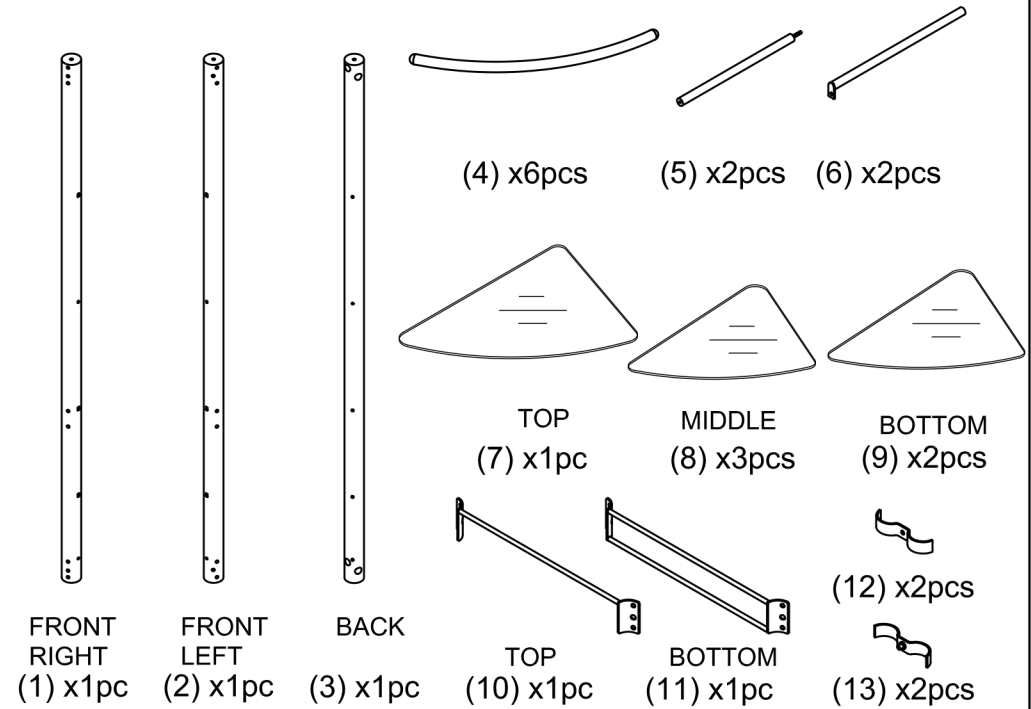
## LEFT PIER



**CAUTIONS:**  
**DO NOT FULLY TIGHTEN**  
**SCREWS UNTIL FULLY ASSEMBLED**



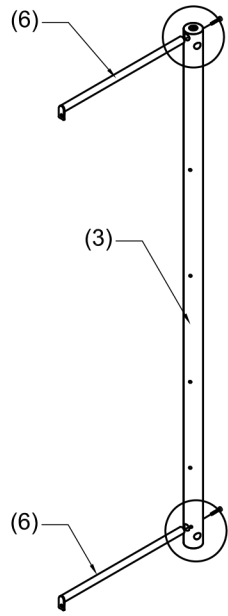
## PARTS IDENTIFICATION





## HARDWARE LIST

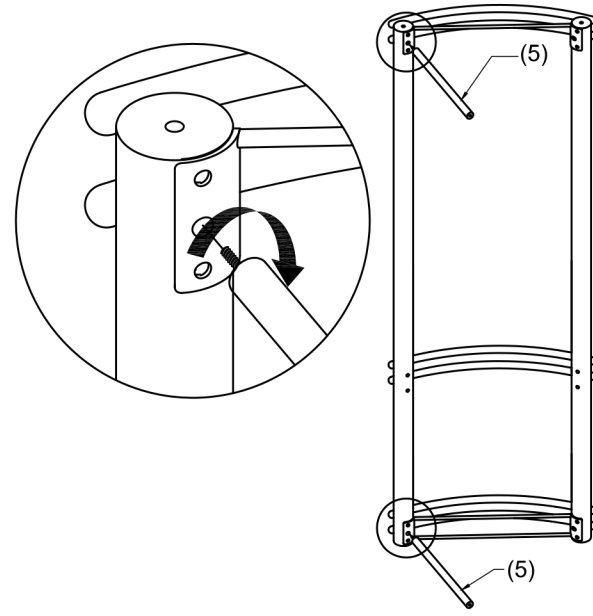
A		1/4"x2 1/2"	12pcs	G		2pcs
B		1/4"x7/8"	6pcs	H		1pc
C		1/4"x5/8"	2pcs	J		1pc
D			3pcs	K		M4x37mm 1pc
E			15pcs	L		4x4mm 1pc
F			15pcs			

STEP 1:

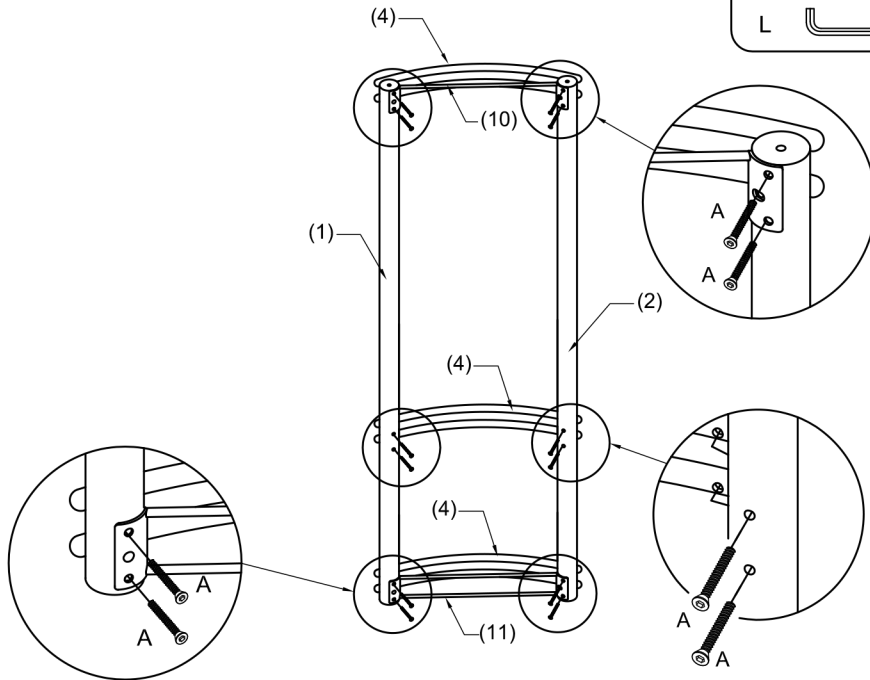




- B  2pcs
- L 

STEP 3:

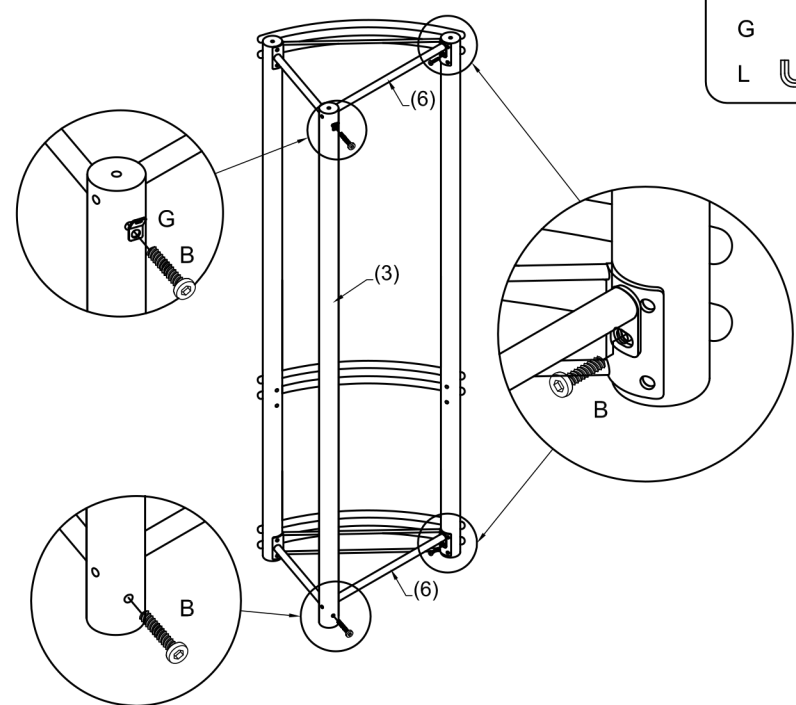





STEP 2:



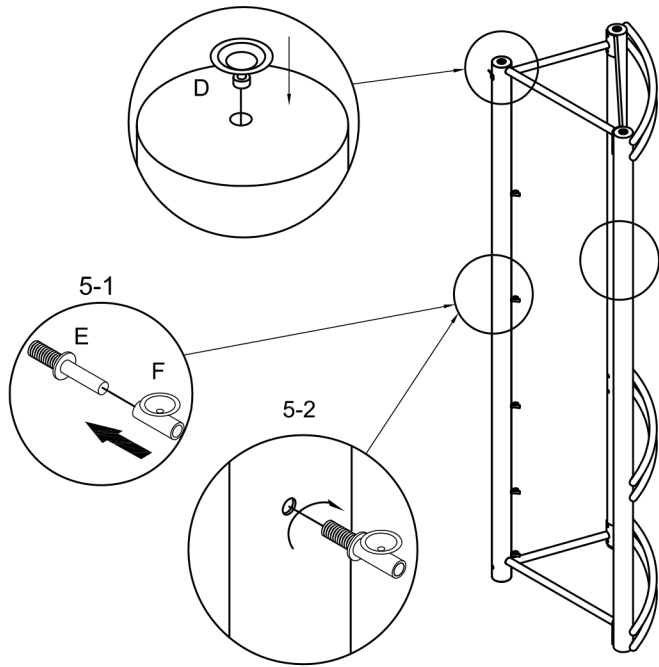
- A  12pcs
- L 




STEP 4:



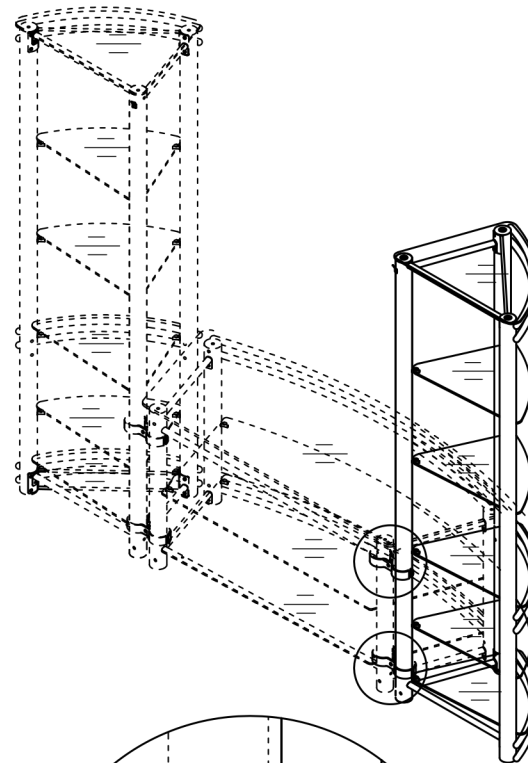
- B  4pcs
- G  1pc
- L 



STEP 5:



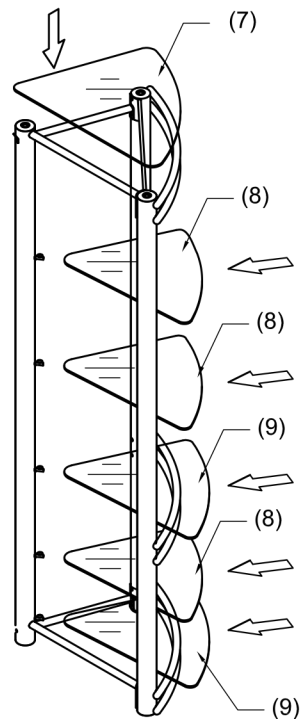
- D  3pcs
- E  15pcs
- F  15pcs

STEP 7:






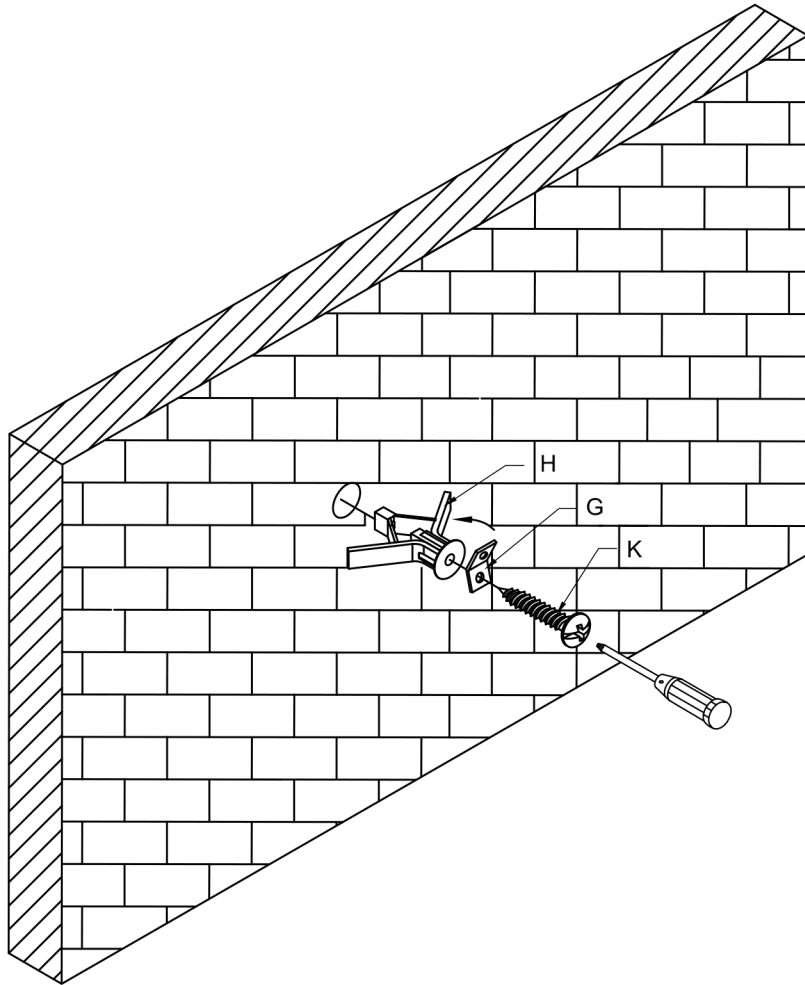
- C  2pcs
- L  2pcs

STEP 6:



STEP 9:

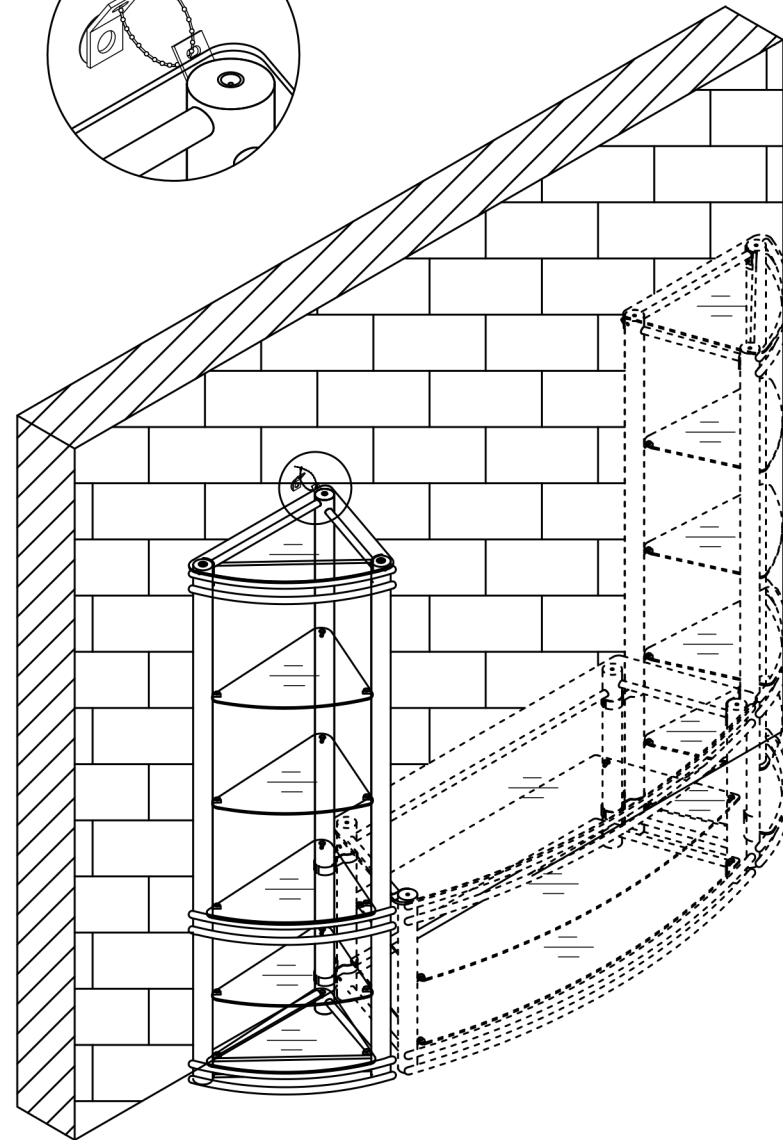
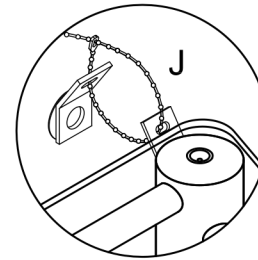
- |   |  |     |
|---|--|-----|
| G |    | 1PC |
| H |   | 1PC |
| K |  | 1PC |



STEP 10:

TO PREVENT TIP OVER  
PRODUCT MUST BE  
ATTACHED TO WALL

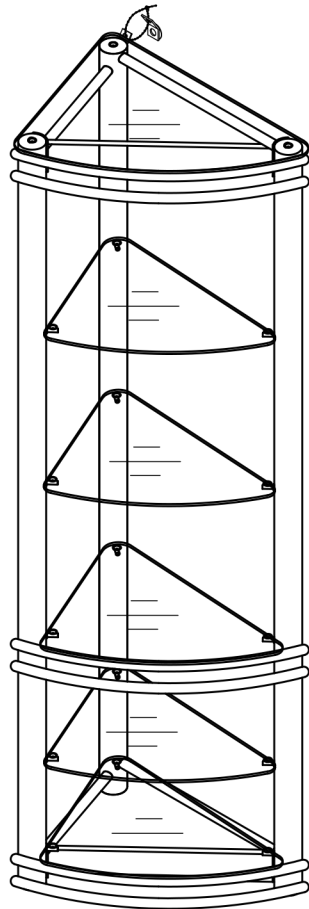
- |   |  |     |
|---|--|-----|
| J |  | 1pc |
|---|--|-----|



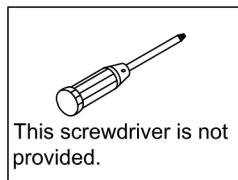
LEFT PIER

# ASSEMBLY INSTRUCTIONS

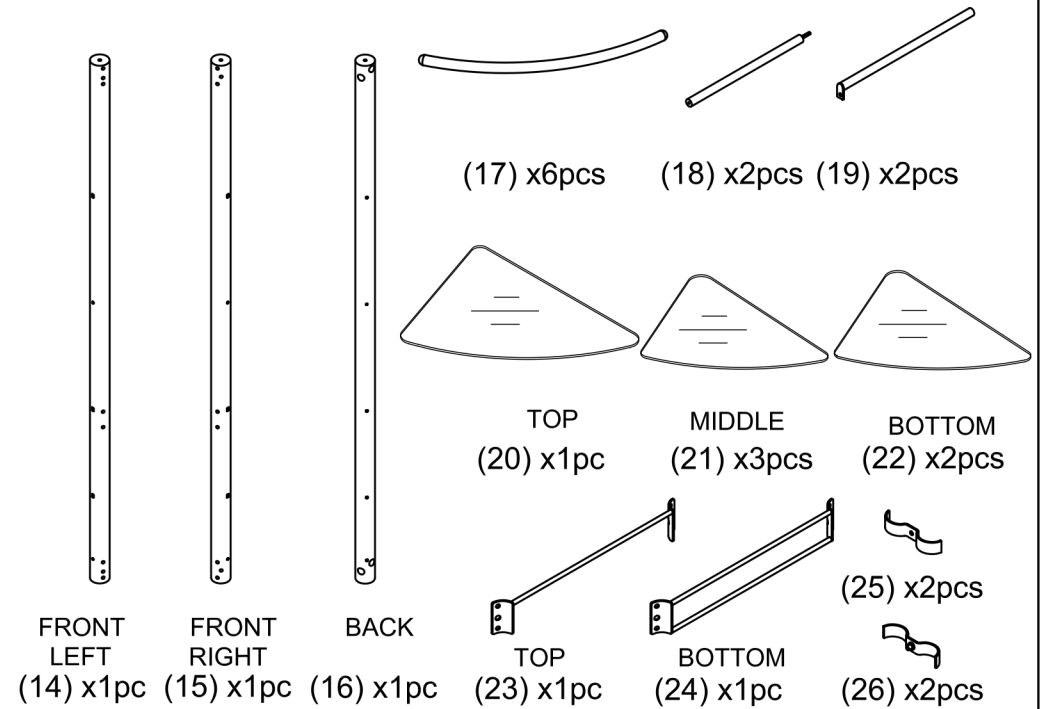
## RIGHT PIER



**CAUTIONS:**  
**DO NOT FULLY TIGHTEN**  
**SCREWS UNTIL FULLY ASSEMBLED**



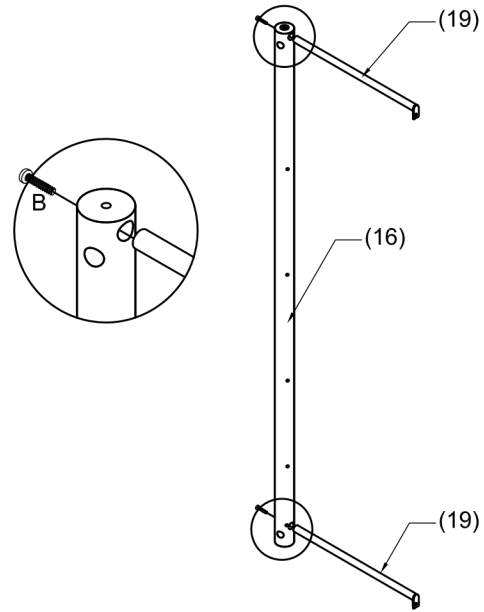
# PARTS IDENTIFICATION





# HARDWARE LIST

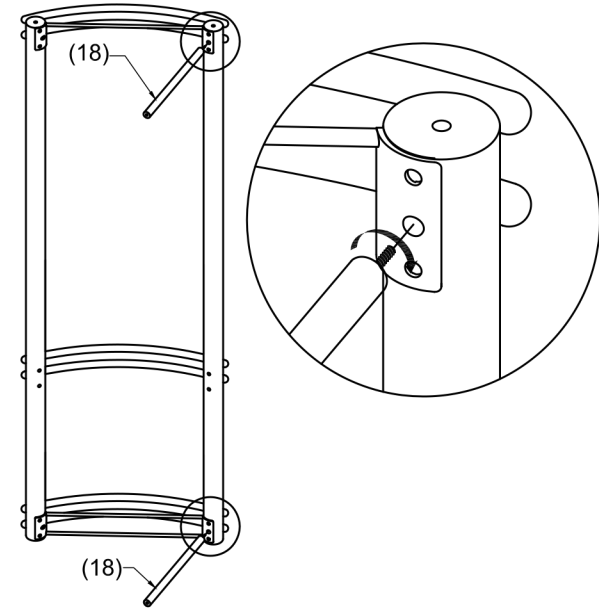
A		1/4"x2 1/2"	12pcs	G		2pcs
B		1/4"x7/8"	6pcs	H		1pc
C		1/4"x5/8"	2pcs	J		1pc
D			3pcs	K		M4x37mm 1pc
E			15pcs	L		4x4mm 1pc
F			15pcs			

STEP 1:

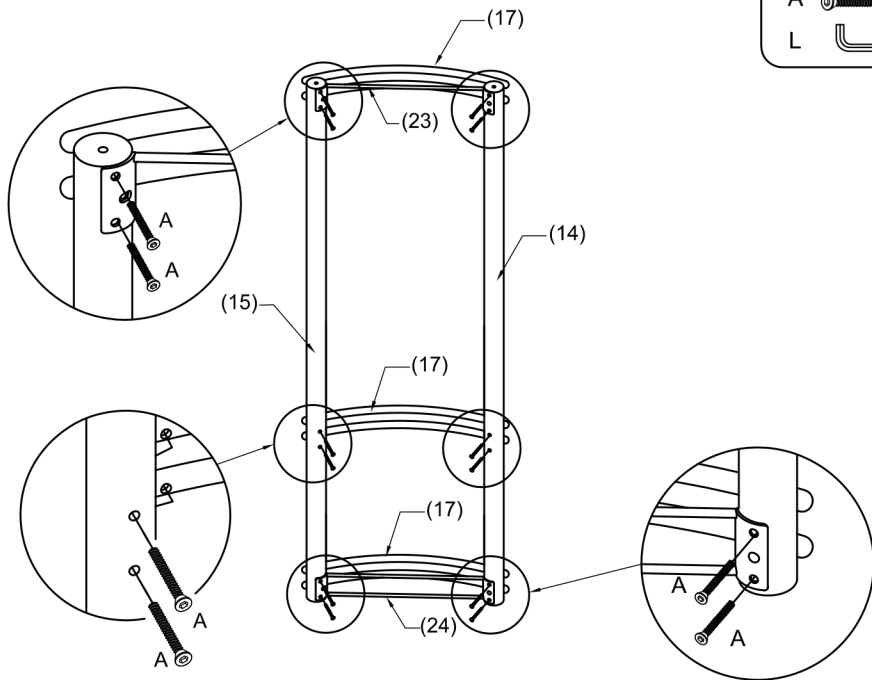




- B  2pcs
- L 

STEP 3:

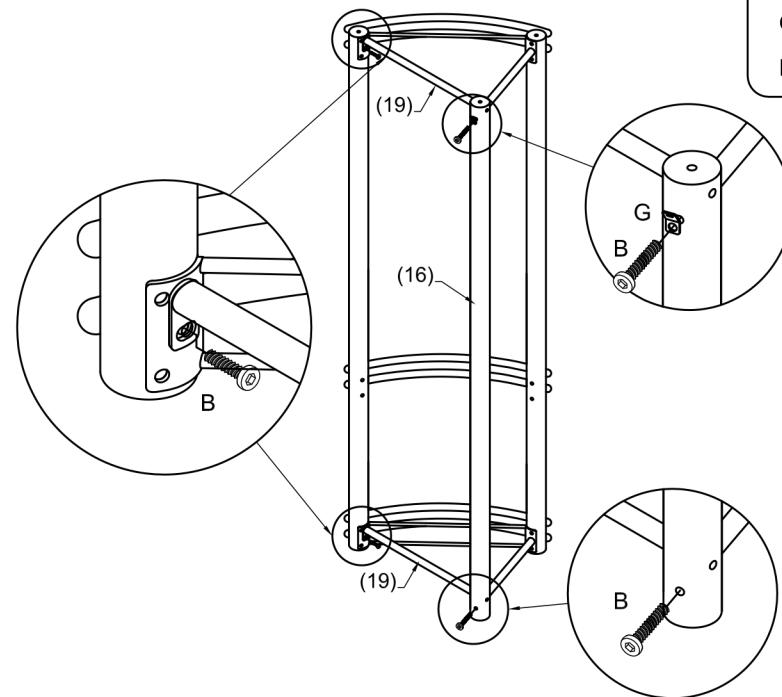





STEP 2:



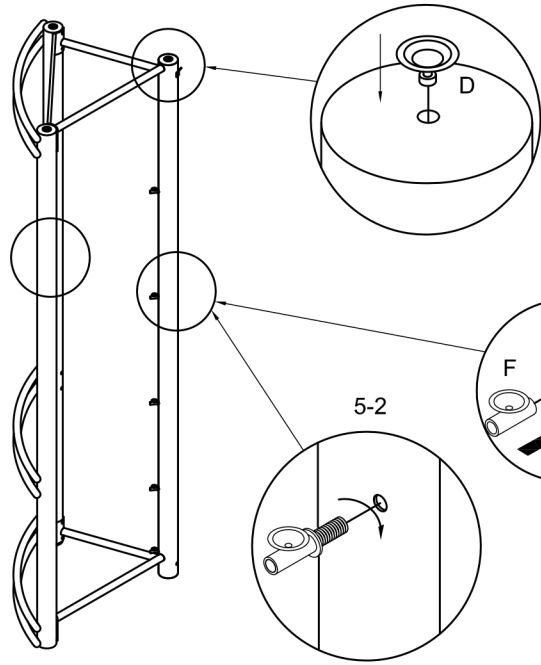
- A  12pcs
- L 




STEP 4:



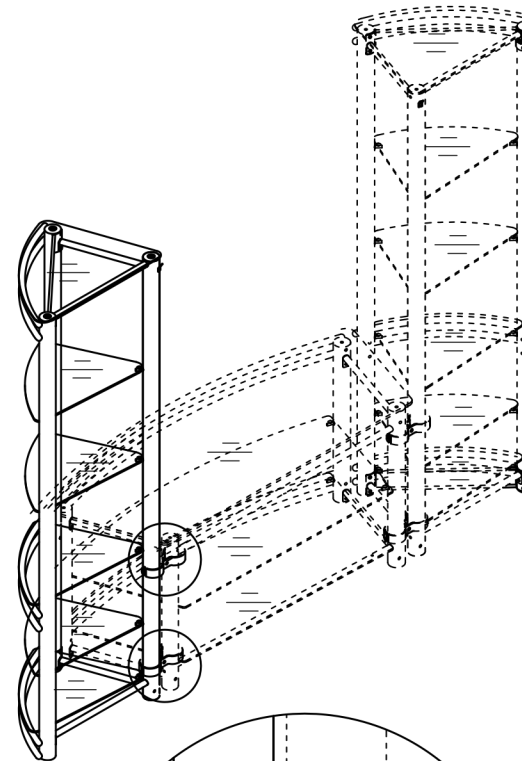
- B  4pcs
- G  1pc
- L 



STEP 5:



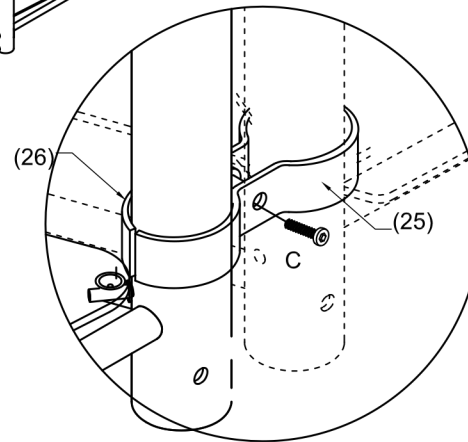
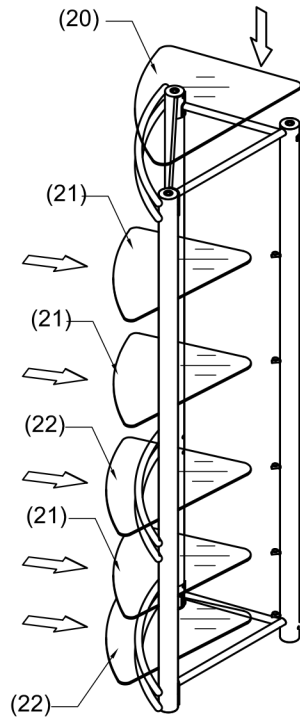
- D  3pcs
- E  15pcs
- F  15pcs

STEP 7:






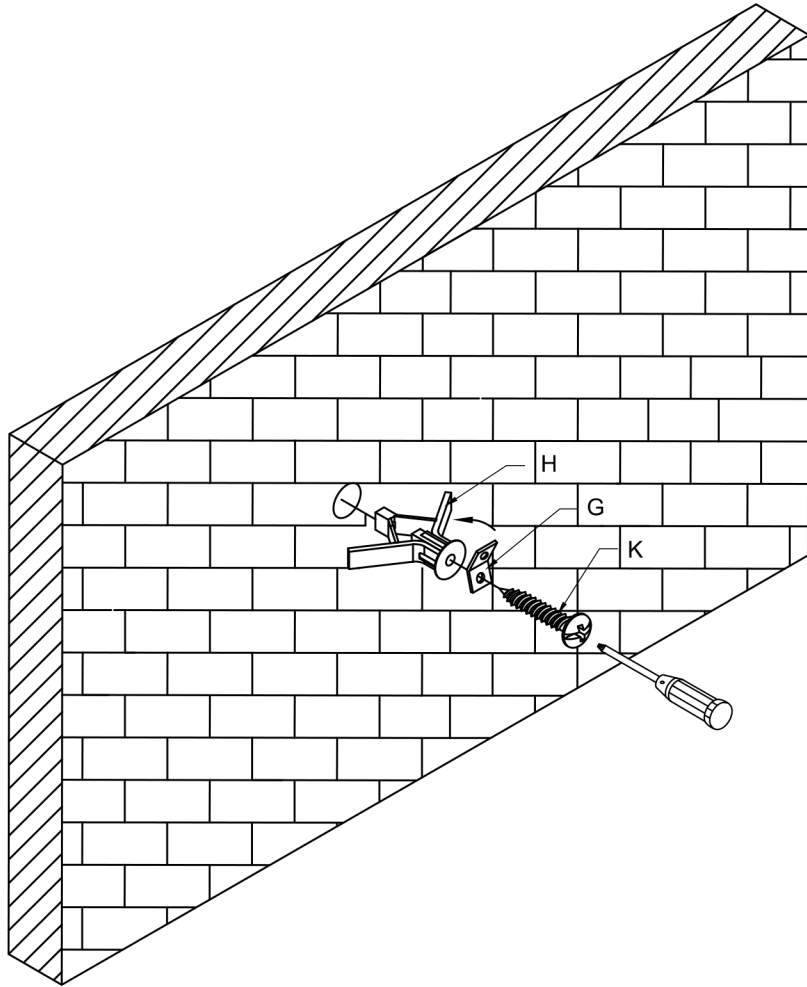
- C  2pcs
- L 

STEP 6:




STEP 9:

- |   |  |     |
|---|--|-----|
| G |    | 1PC |
| H |   | 1PC |
| K |  | 1PC |



STEP 10:

TO PREVENT TIP OVER  
PRODUCT MUST BE  
ATTACHED TO WALL

- |   |  |     |
|---|--|-----|
| J |  | 1pc |
|---|--|-----|

