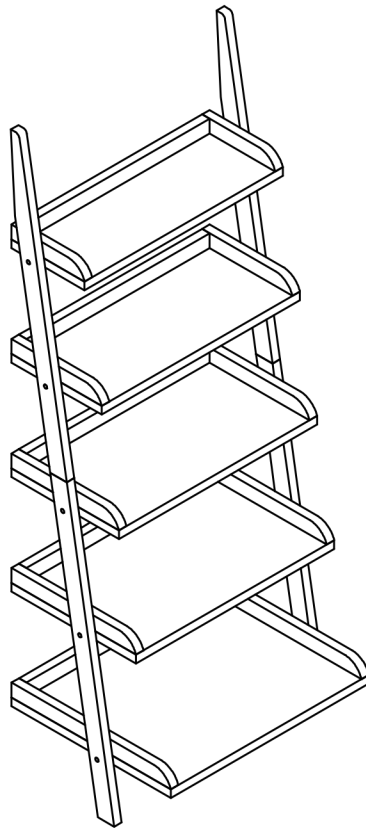



Assembly Instructions



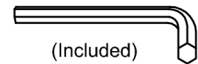
ASSEMBLY RATING

The Assembly Rating is a 5-point system that shows the degree of effort needed in assembling a specific product (with 1 being easy and 5 being difficult). For some products, two persons are recommended.

EASY  DIFFICULT

Tools Required For Assembly:

Allen Wrench

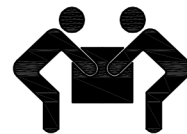


(Included)

Phillips Screwdriver



(Not Included)

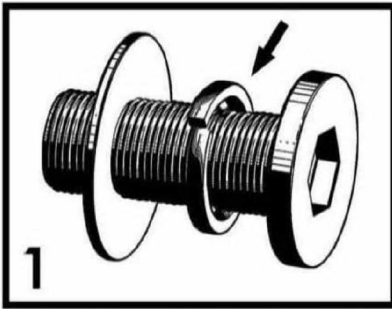


2 PERSONS RECOMMENDED

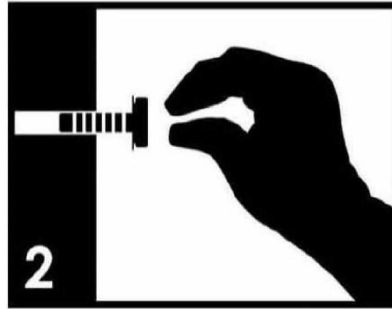
ASSEMBLY & CARE ADVICE

FOR YOUR FURNITURE TO LAST, CORRECT ASSEMBLY AND PROPER MAINTENANCE ARE NECESSARY. PLEASE FOLLOW THE INFORMATION PROVIDED BELOW TO FULLY ENJOY YOUR FURNITURE.

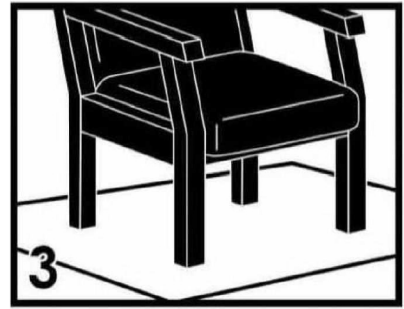
BASIC ASSEMBLY TECHNIQUES



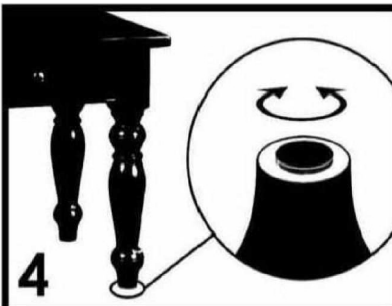
1
When lock or spring washer is used in an assembly, please make sure the lock or spring washer is placed between the larger flat washer and the head of the screw or bolt.



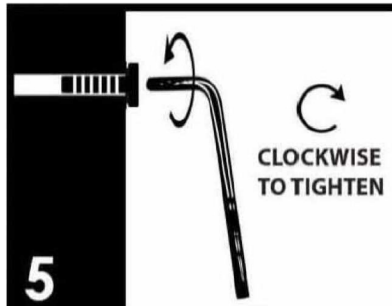
2
Position each part correctly and insert screws or bolts into their respective holes by hand tighten or using the proper hand tool. Only tighten when step is completed or when instructed to do so.



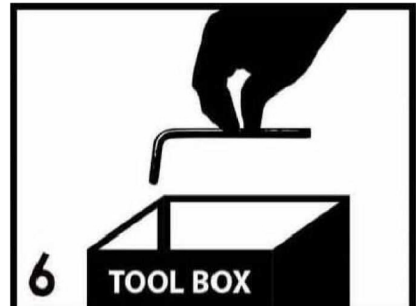
3
Use cardboard or carpet area when assembling furniture to prevent scratches. Make sure the furniture rests on a flat and level surface with each leg evenly touching the floor.



4
Some furniture comes with height adjustment knobs underneath each leg. To lower or to raise each leg, you need to turn clockwise or counterclockwise, respectively.



5
Make sure all parts are properly aligned, then use the appropriate hand tool to completely tighten the bolts or screws. Do not use power tools and do not overtighten.

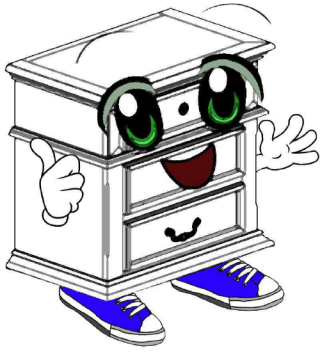


6
Save the instructions and store the Allen wrench or any supplied tool for later maintenance. After two weeks, check and tighten any loose hardware and repeat again every six months thereafter.

IT IS THE USER'S RESPONSIBILITY TO MAINTAIN THE FURNITURE. THE HARDWARE MAY LOOSEN OVER TIME AND MAY CAUSE THE FURNITURE TO BE WOBBLY AND UNABLE TO SUPPORT ITS INTENDED WEIGHT CAPACITY. THIS MAY LEAD TO COLLAPSE AND MAY CAUSE SERIOUS INJURY.



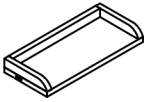
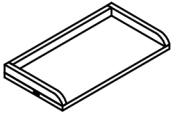
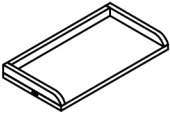
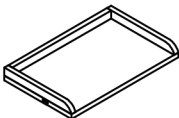
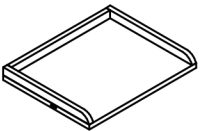
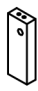
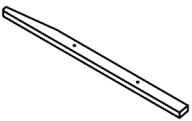
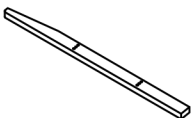
FAILURE TO FOLLOW THE GUIDELINES ABOVE MAY RESULT IN INJURY AND/OR PROPERTY DAMAGE.




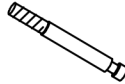






Before you begin, please read Page 2 of "Assembly and Care Advice".

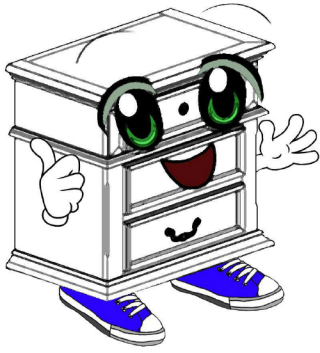
And remember, do not tighten until each step is completed or instructed.

Parts List

	#1 x 1pc Shelf
	#2 x 1pc Shelf
	#3 x 1pc Shelf
	#4 x 1pc Shelf
	#5 x 1pc Shelf
	#6 x 1pc Foot
	#7 x 1pc Top-Left Post
	#8 x 1pc Top-Right Post

Hardware List

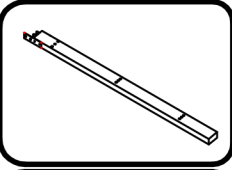
	#A x 1pc Cam Lock Ø14.5 x 1/2"
	#B x 1pc Cam Lock Screw Ø6 x 1-3/8"
	#C x 21pcs Wood Dowel Ø6 x 1-3/16"
	#D x 10pcs Barrel Nut Ø3/16 x 3/8"
	#E x 10pcs Philip Head Screw Ø3/16 x 1-3/4"
	#F x 4pcs Wood Screw Ø4 x 5/8"
	#G x 10pcs Wood Plug Ø13 x 3/8"
	#H x 1pc "L" Wrench M4 x 2-5/16"

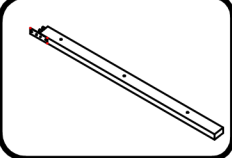


Before you begin, please read Page 2 of "Assembly and Care Advice".

And remember, do not tighten until each step is completed or instructed.

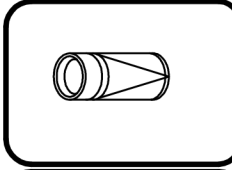
Parts List

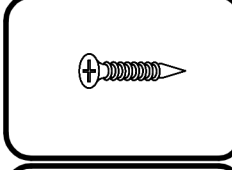
- 

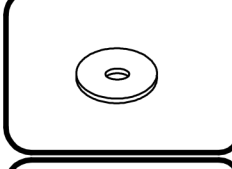
#9 x 1pc
Bottom-Left Post
- 

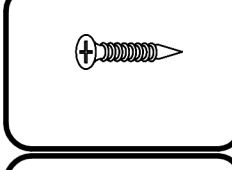
#10 x 1pc
Bottom-Right Post

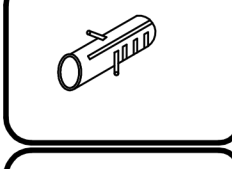
Hardware List

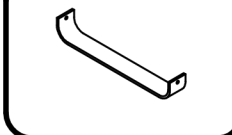
- 

#I x 1pc
Glue
- 

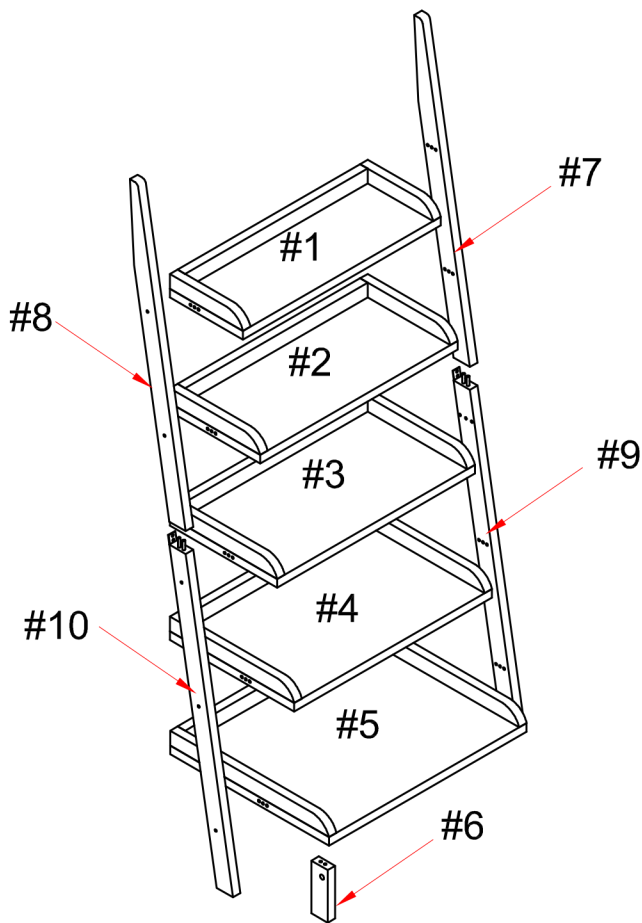
#J x 2pcs
Screw $\text{Ø}3 \times 5/8$ "
- 

#K x 4pcs
Flat Washer $\text{Ø}4 \times 3/8$ "
- 

#L x 2pcs
Screw $\text{Ø}3.5 \times 3/4$ "
- 

#M x 2pcs
Glue Plug
- 

#N x 2pcs
Metal Plate $3/4" \times 5-7/8$ "

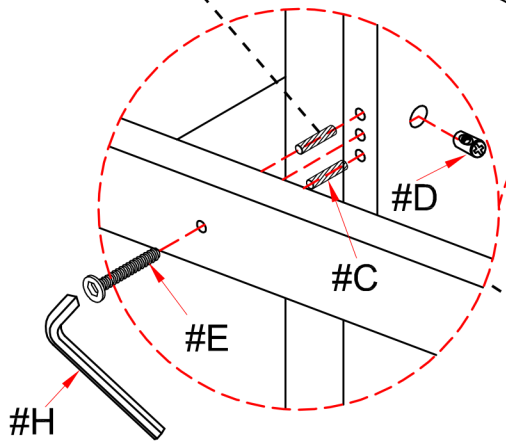
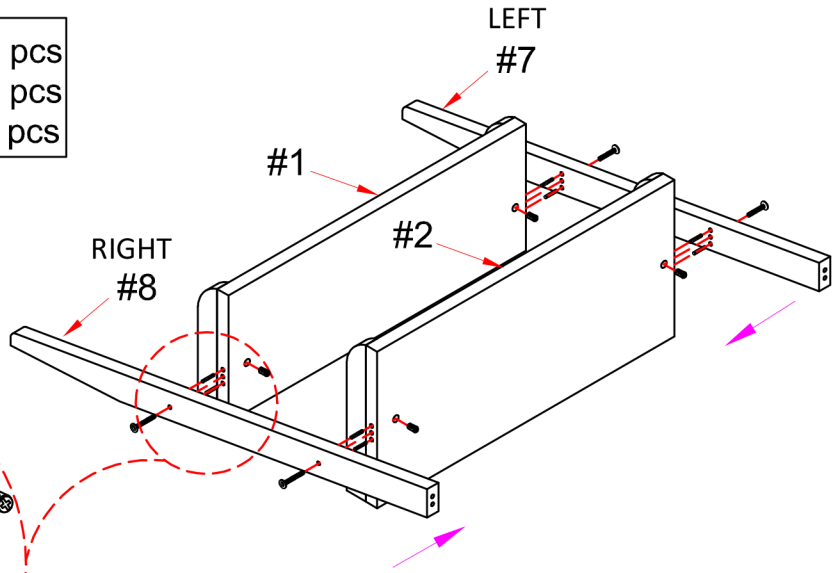




#1

#C x 8 pcs
#D x 4 pcs
#E x 4 pcs

1. Insert the wood dowels (#C) into the holes along the ends of the shelves (1,2), then insert the other ends of those dowels into the top posts (#7,8).



2. Insert a barrel nuts (#D) into the holes along the sides of the shelves (#1,2), make sure the opening faces the hole, then insert a bolt (#E) into each post into the nuts. Secure using the Allen wrench (#H).

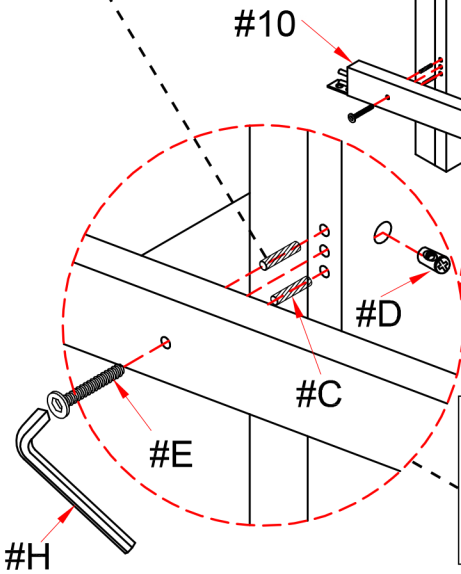
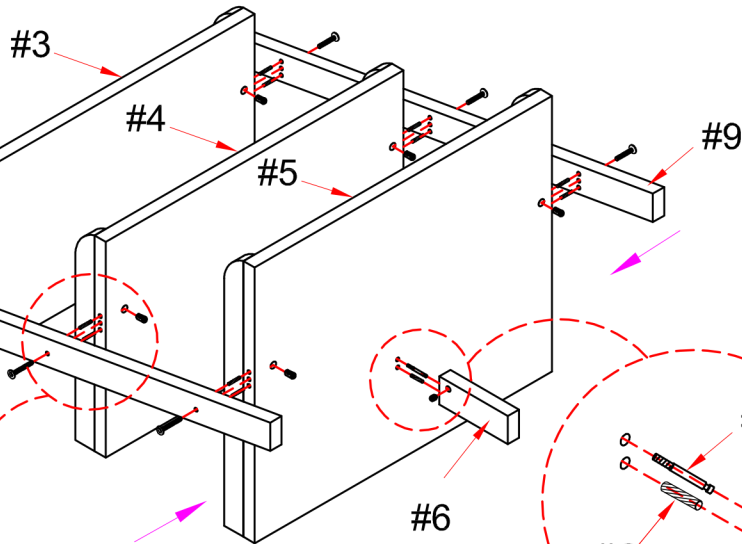


#2

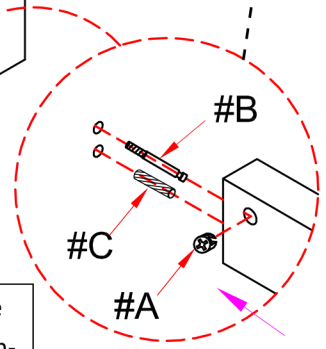
#A x 1 pc
#B x 1 pc
#C x 13 pcs
#D x 6 pcs
#E x 6 pcs

3. Insert a cam bolt (#B) into the hole along the shelf (#5), turn right to tighten. Insert a wood dowel (#C) and cam lock (#A) into the foot (#6). Insert the other end of the dowel into the shelf (#5) and make sure the cam bolt (#B) enters the cam lock (#A). Secure.

1. Insert the wood dowels (#C) into the holes along the ends of the shelves (3,4,5), then insert the other ends of those dowels into the bottom posts (#9,10).



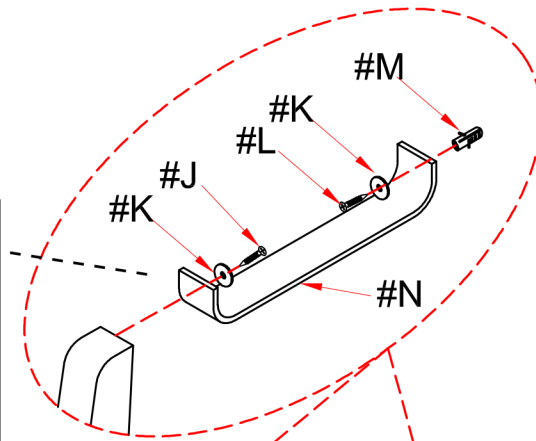
2. Insert a barrel nuts (#D) into the holes along the sides of the shelves (#3,4,5), make sure the opening faces the hole, then insert a bolt (#E) into each post into the nuts. Secure using the Allen wrench.



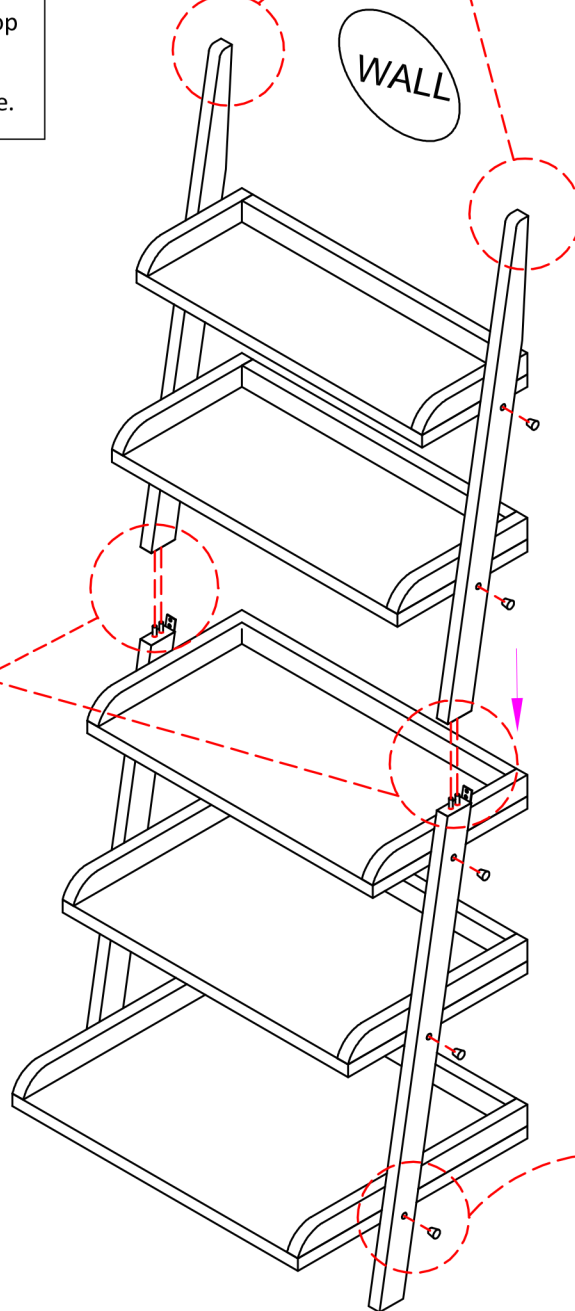
Do not tighten screws until completely assembled.



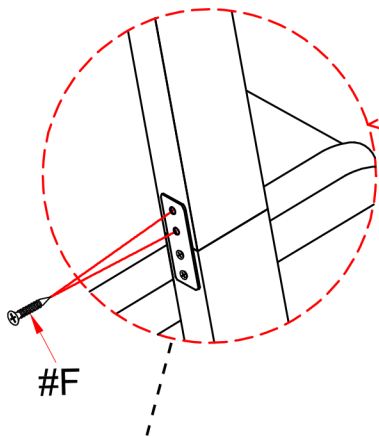
1. Drill a hole slightly smaller than the plug (#M), then insert the plug into the wall until fully secured.
2. Align one end of the metal plate (#N) to the plug and insert a screw (#L) with flat washer (#K). Secure.
3. Align the other end of the metal plate (#N) to the hole along the top of the posts, then insert a screw (#J) with a flat washer (#K). Secure.



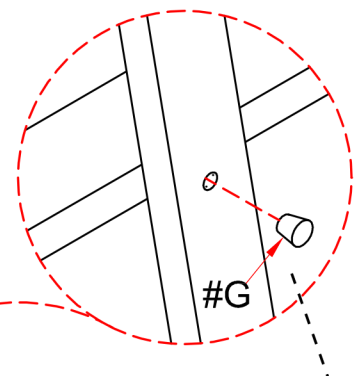
#F x 4 pcs
#G x 10 pcs
#J x 2 pcs
#K x 4 pcs
#L x 2 pcs
#M x 2 pcs
#N x 2 pcs
#O x 2 pcs



WALL



4. Place the top posts onto the bottom posts, then insert 2 wood screws (#F) into each end. Secure using a screwdriver.



5. Insert the wood plugs (#G).

Do not tighten screws until completely assembled.