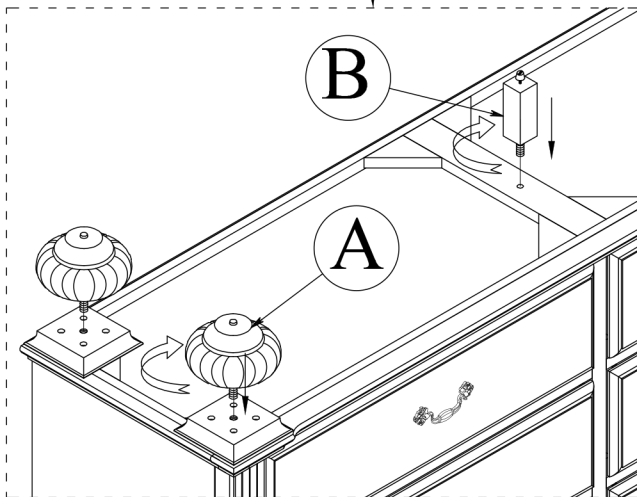
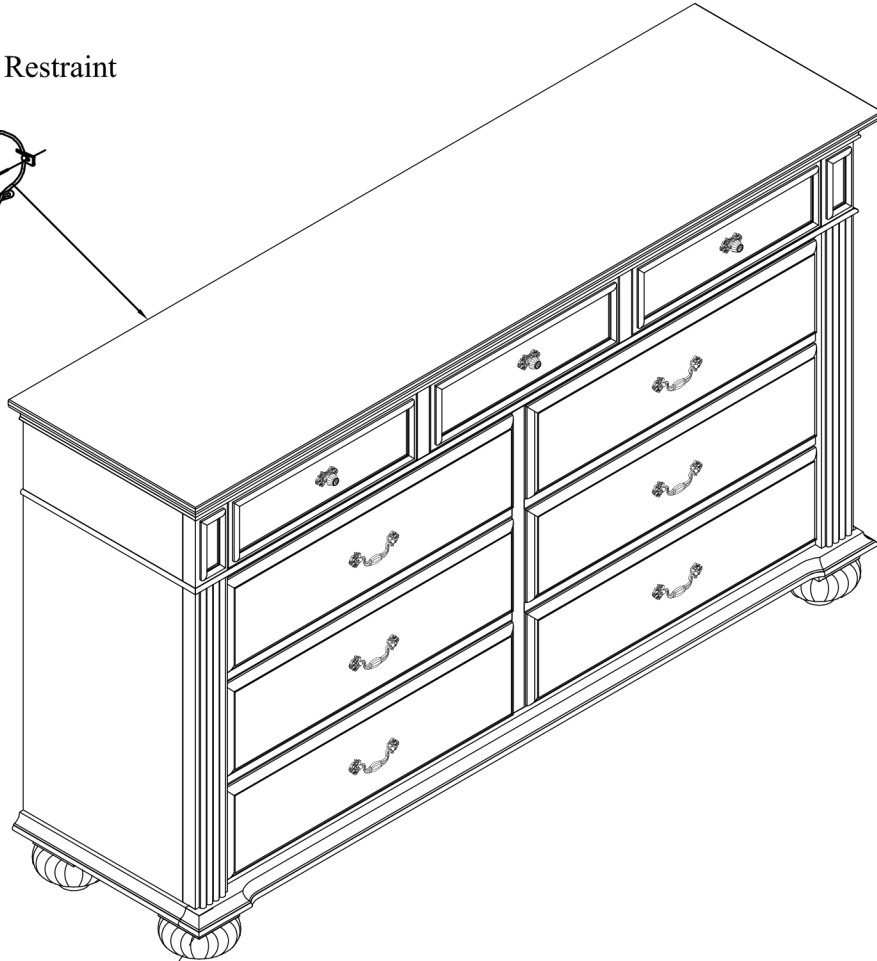
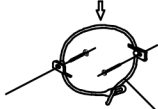


ASSEMBLY INSTRUCTION

Tipping Restraint



NO.	DESCRIPTION	QTY.
A	Bun foot	4
B	Center Support	1