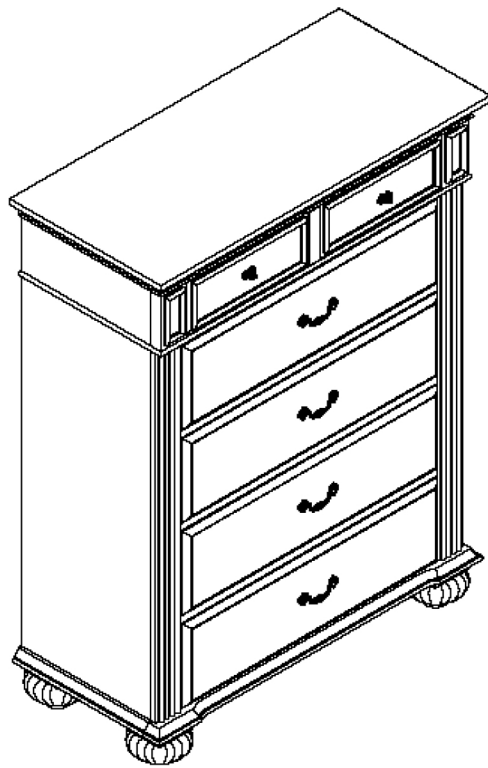


Assembly Instructions



ASSEMBLY RATING

The Assembly Rating is a 5-point system that shows the degree of effort needed in assembling a specific product (with 1 being easy and 5 being difficult). For some products, two persons are recommended.

EASY  DIFFICULT

No Tools Required for Assembly



2 PERSONS RECOMMENDED



Due to the size and/or weight of this product, it is highly recommended that the assembly should be done near the area of its intended location. Make sure you have enough space to move around during the assembly. ALWAYS have at least two people to help with transporting and assembling the product and to avoid any potential injury and/or damage.

MD

Parts List

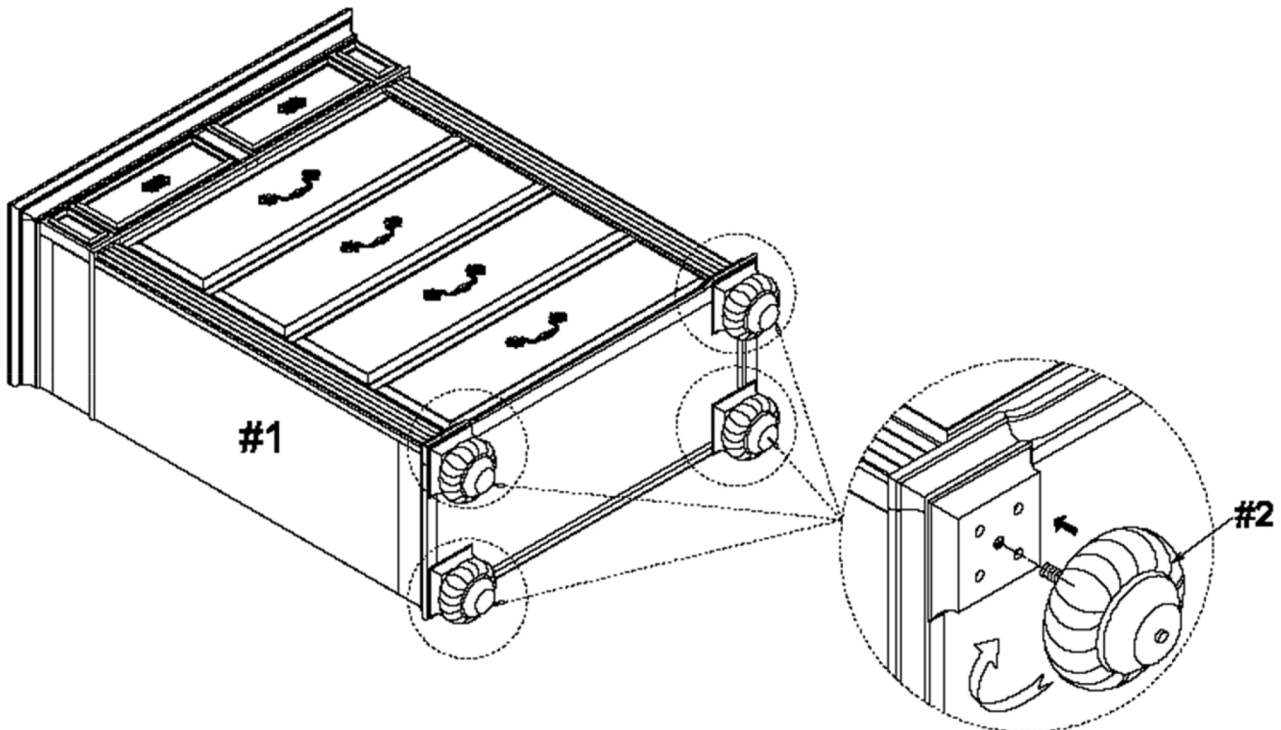


#1 x 1 pc
Chest



#2 x 4 pcs
Foot

Align the threaded ends of the 4 feet (#2) with the pre-drilled holes on the bottom of the chest (#1) and tighten by hand until secured.



Turn right (clockwise) to tighten

ASSEMBLY IS COMPLETED