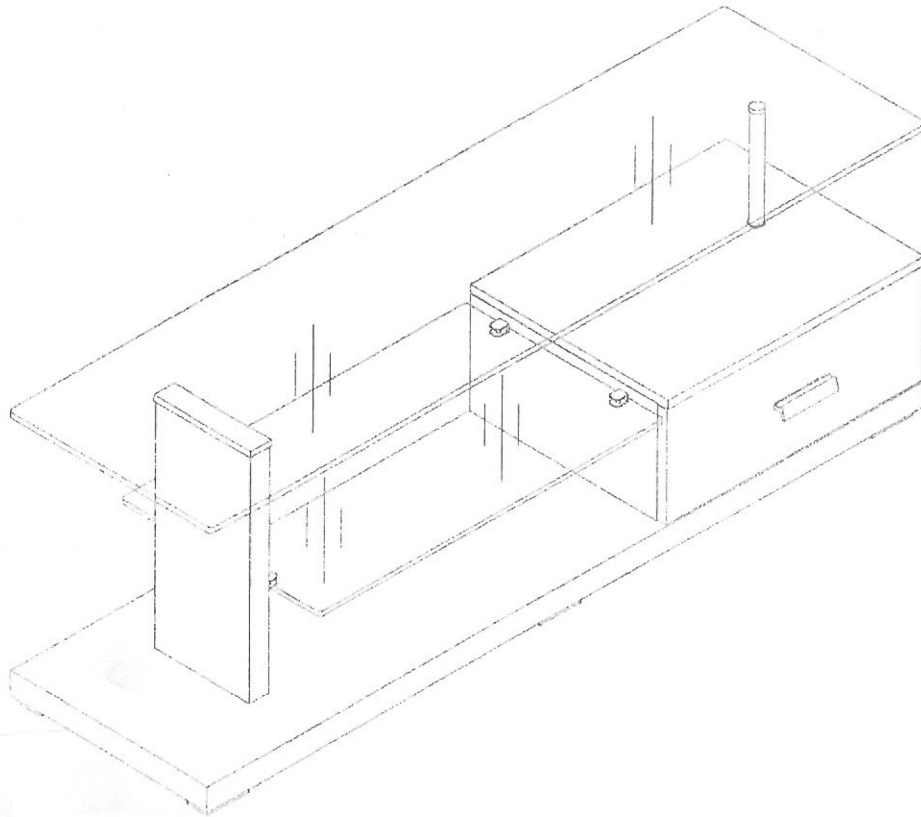


Assembly Instructions



Do not tighten screws until completely assembled.

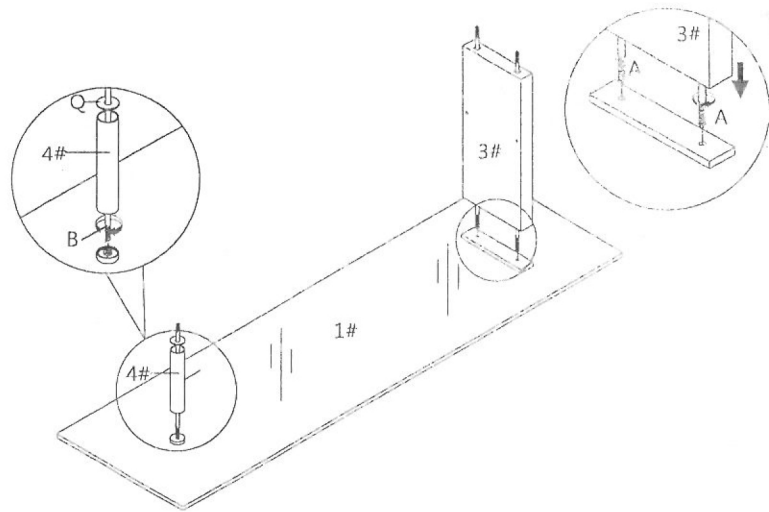
PARTS IDENTIFICATION

NO	Part	Sketch	Quantity	NO	Part	Sketch	Quantity
1#	Top glass		1pc	9#	Drawer left panel		1pc
2#	Shelf glass		1pc	10#	Drawer right panel		1pc
3#	pole		1pc	11#	Drawer back panel		1pc
4#	Shelf leg		1pc	12#	Drawer face Panel		1pc
5#	Top panel		1pc	13#	Drawer bottom panel		1pc
6#	Left Panel		1pc	14#	Bottom panel		1pc
7#	Right Panel		1pc	15#	Bottom cap		2pcs
8#	Back panel		1pc				

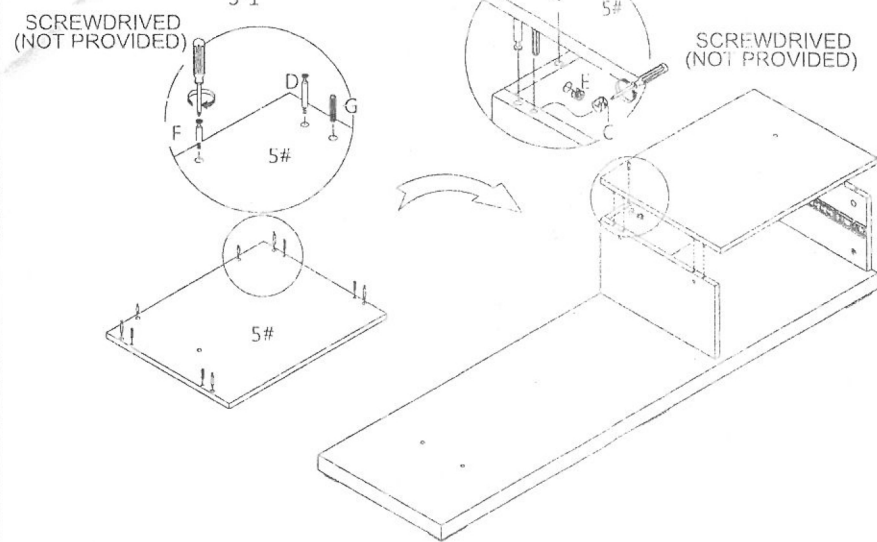
HARDWARE LIST

NO	Shape	Specification	Quantity	NO	Shape	Specification	Quantity
A		M8X450	2pcs	K		22x18x13	4pcs
B		M8X240	1pc	L		105X22	1pc
C		φ14.5	8pcs	M		M4X22	2pcs
D		M6X40	8pcs	N		35x350	2pcs
E		φ12.5	12pcs	O		M4X10	8pcs
F		M6X24	12pcs	P		M6X20	2pcs
G		φ6X30	10pcs	Q		φ47x4	1pc
H		M5x12	4pcs	R		M8	1pc
I		M8X6.5	3pcs	S		4x4	1pc
J		φ18Xφ8X1.0	3pcs				

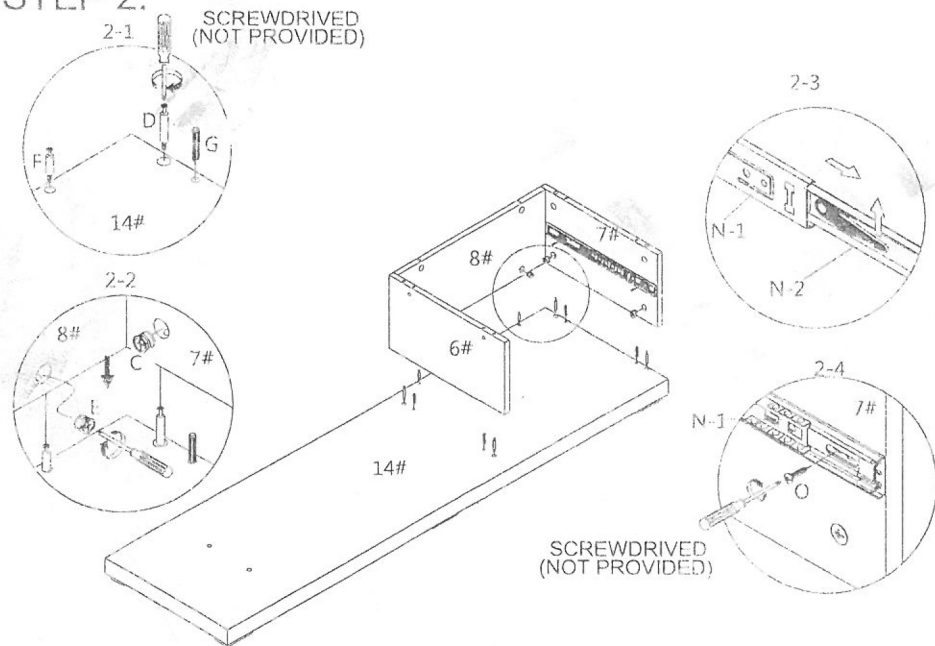
STEP 1.



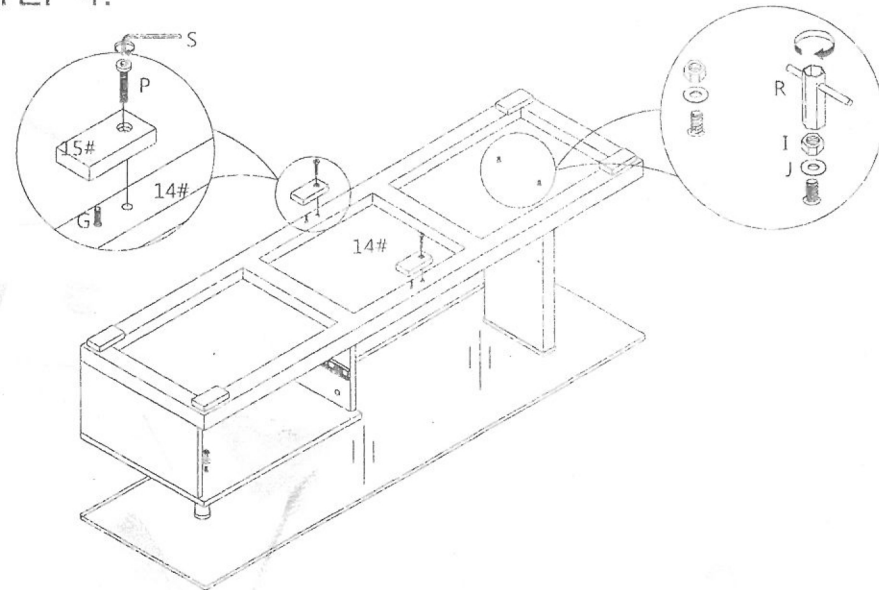
STEP 3.



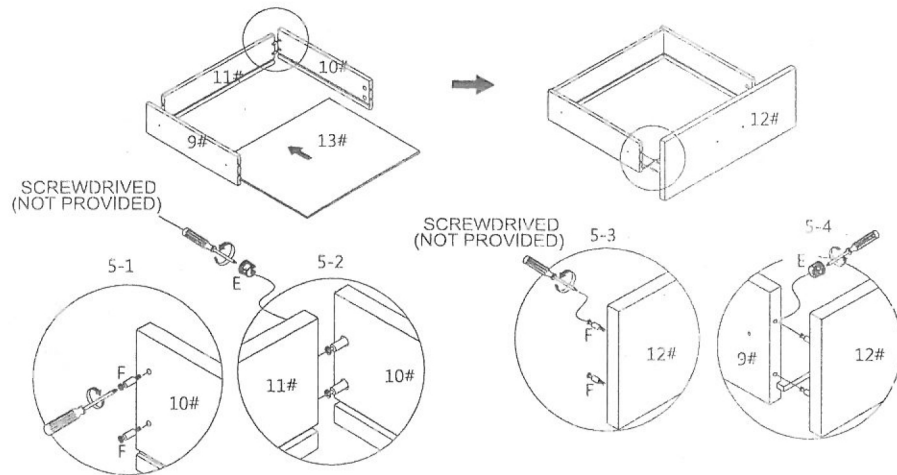
STEP 2.



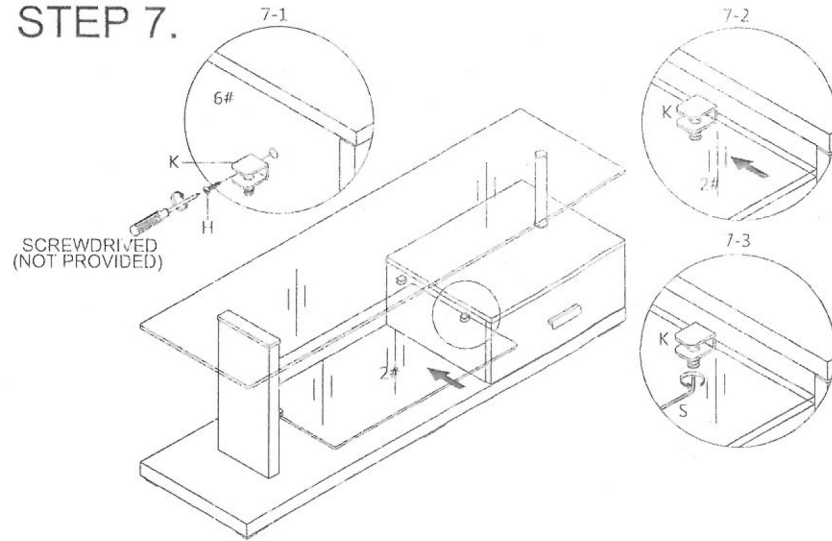
STEP 4.



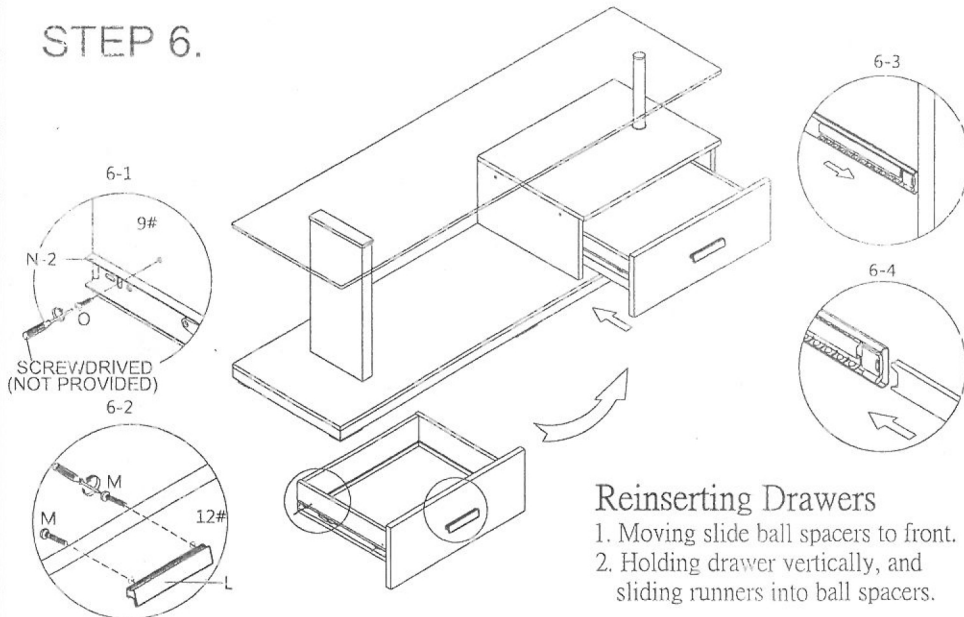
STEP 5.



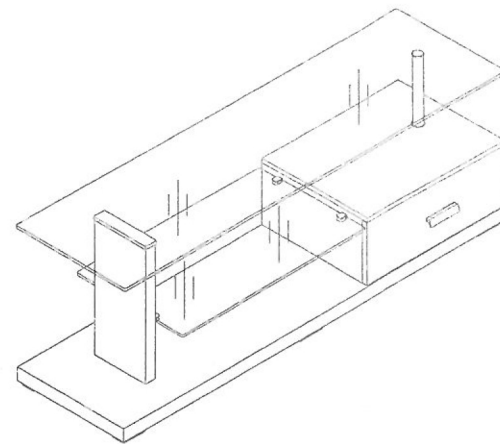
STEP 7.



STEP 6.



STEP 8.



Do not tighten screws until completely assembled.

Do not tighten screws until completely assembled.