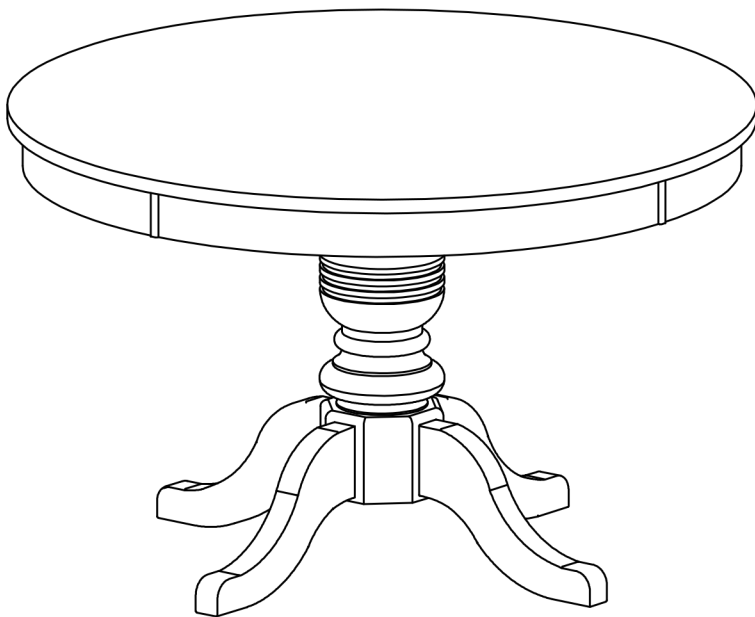


# ASSEMBLY INSTRUCTIONS

---



## TOOLS REQUIRED



Allen Wrench  
(Included)



2 - Persons  
Recommended

## ASSEMBLY RATING



EASY ————— DIFFICULT

The Assembly Rating is a 5-point system showing the level of effort needed to assemble a specific product.



## **CHECK BEFORE STARTING**

### **Are you missing anything?**

Double-check all parts, hardware and accessories listed on Page 6 are accounted for.

### **Check out our Quick Tips!**

We recommend reviewing the pre-assembly handouts. Even experts need a refresher now and then!

### **Should we send any replacements?**

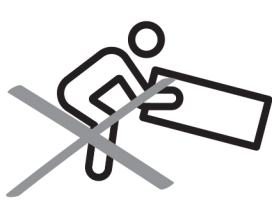
Are there any irregularities or flaws in the parts? We can send replacements!

### **Prep Time!**

Please review the assembly instructions and all diagrams prior to assembling. Arrange parts as recommended on Page 7 and group identical hardware together to make assembling easier.

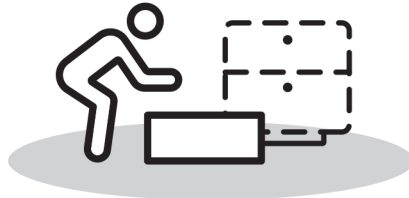
# PRE ASSEMBLY INTRODUCTION

We understand building ready-to-assemble furniture can be a challenging experience for some. To help avoid confusion, we have provided some helpful tips that may speed up the process.



## Teamwork

ALWAYS have at least two people to help with transporting and assembling the product to avoid potential injury and/or damage.



## Suitable Location

Assembling near the area of the intended location is highly recommended.



## Sufficient Space

Make sure you have enough space to move around during the assembly.



## Avoid Scratches

Use cardboard, blankets or a carpeted area while assembling furniture to prevent scratches.



## Flat Surface

Make sure the furniture rests on a flat and level surface with each leg evenly touching the floor.

# ASSEMBLY AND CARE ADVICE



**FAILURE TO FOLLOW THE GUIDELINES BELOW MAY RESULT IN INJURY AND/OR PROPERTY DAMAGE.**



Position each part correctly and insert screws or bolts into their respective holes.



Turn clockwise to tighten and only tighten when step is completed or when instructed to do so.



Use the appropriate hand tools or power tools for assembly. Select steps, such as tightening screws and/or bolts, may require hand tools to avoid causing damage during assembly.



Save the instructions and store any supplied tools for later maintenance.



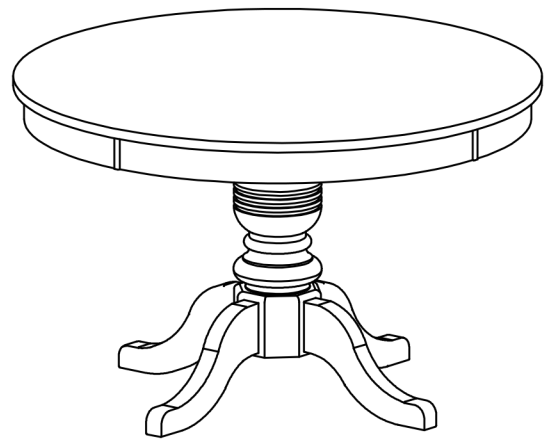
After two weeks, check and tighten any loose hardware and repeat again every six months thereafter.

**IT IS THE USER'S RESPONSIBILITY TO MAINTAIN THE FURNITURE. THE HARDWARE MAY LOOSEN OVER TIME AND MAY CAUSE THE FURNITURE TO BE WOBBLY AND UNABLE TO SUPPORT ITS INTENDED WEIGHT CAPACITY. THIS MAY LEAD TO COLLAPSE AND MAY CAUSE SERIOUS INJURY.**

# DINING TABLE



- Please keep instructions for future reference.
- Check the quantity and irregularity of parts and hardware before you start.



## PARTS

#1 1pc



Table Top

#2 4pcs



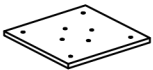
Legs

#3 1pc



Pedestal

#4 1pc



Mounting Plate

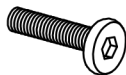
## HARDWARE

#A 8pcs



Hex Nut Ø5/16"

#B 8pcs



Bolt Ø1/4" x 1-1/2"

#C 8pcs



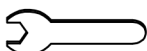
Lock Washer Ø5/16"

#D 8pcs



Flat Washer Ø5/16"

#E 1pc



Wrench 12mm

#F 1pc



Allen Wrench M4

#G 8pcs

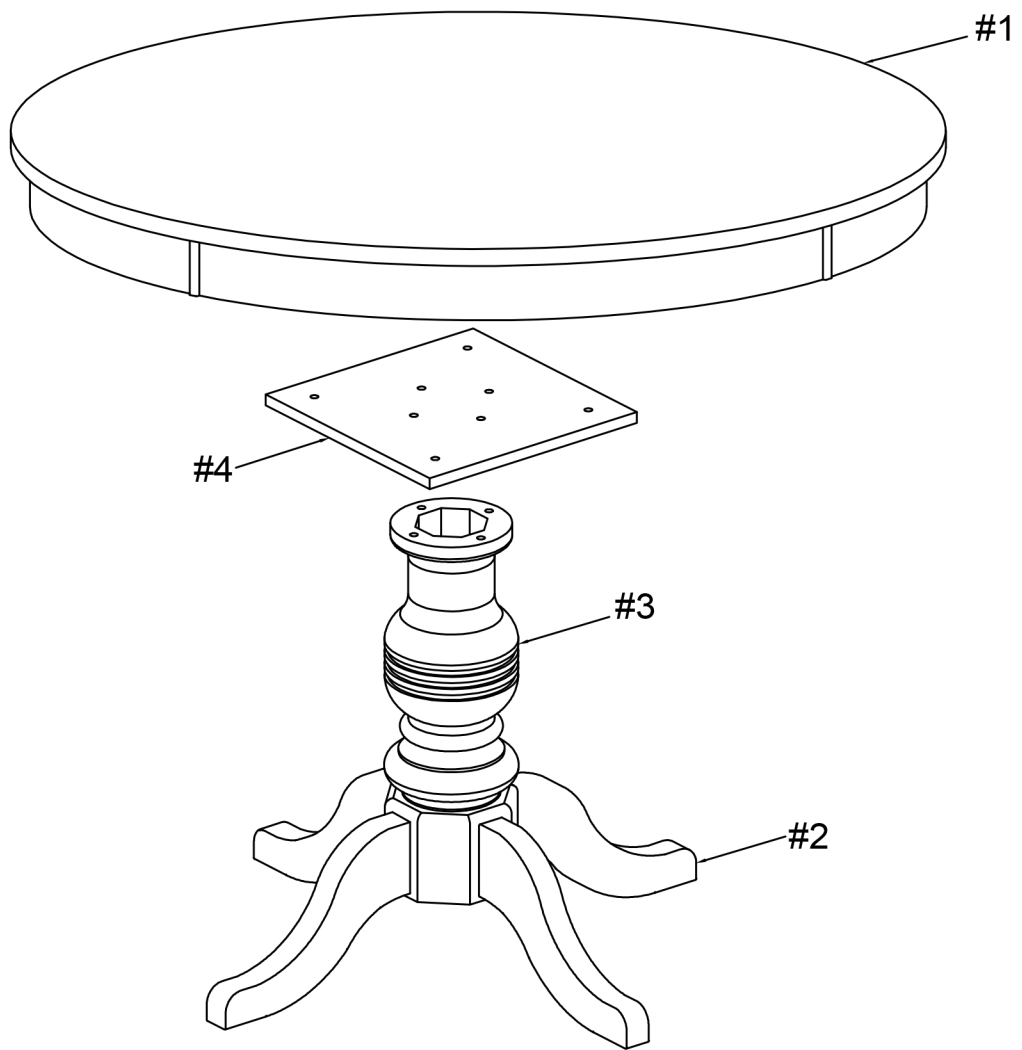


Lock Washer Ø1/4"

#H 8pcs



Flat Washer Ø1/4"

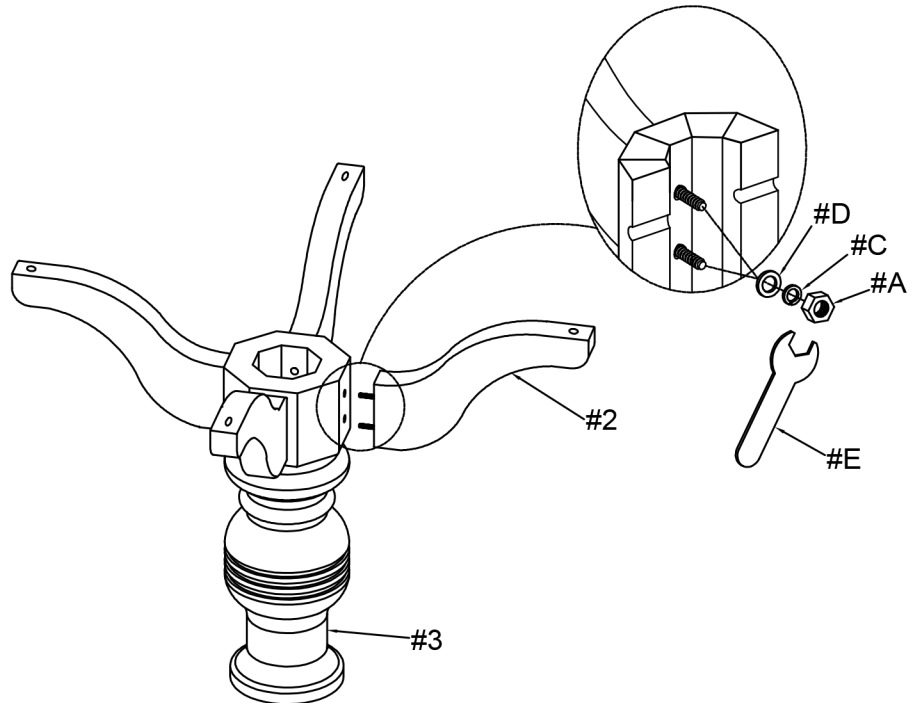


# ASSEMBLY INSTRUCTIONS

## 1

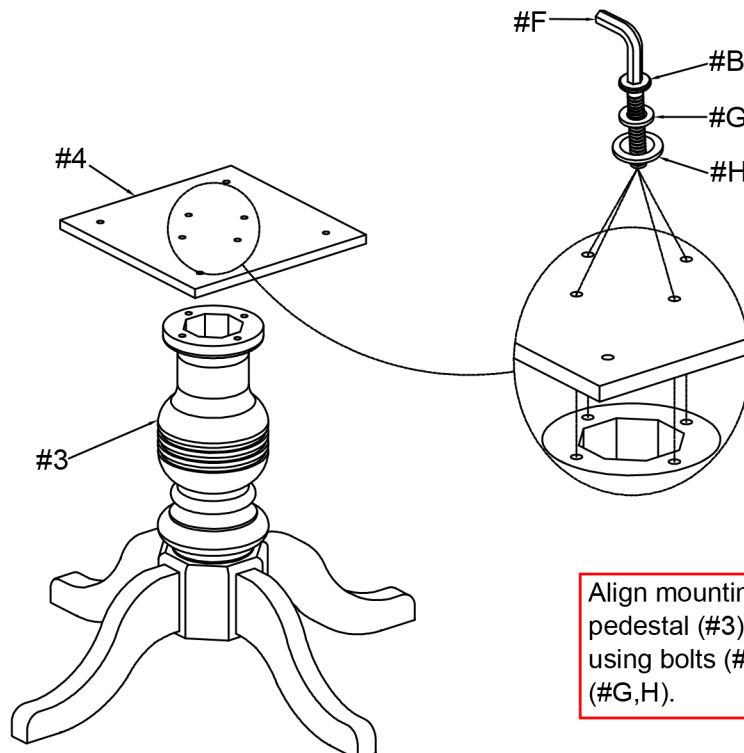
- Part #2 x4pcs
- Part #3 x1pc
- Hardware #A x8pcs
- Hardware #C x8pcs
- Hardware #D x8pcs

Align legs (#2) to the pedestal (#3), then secure by using hex nut (#A) with washers (#C,D).



## 2

- Part #4 x1pc
- Hardware #B x4pcs
- Hardware #G x4pcs
- Hardware #H x4pcs



Align mounting plate (#4) to the pedestal (#3), then secure by using bolts (#B) with washers (#G,H).

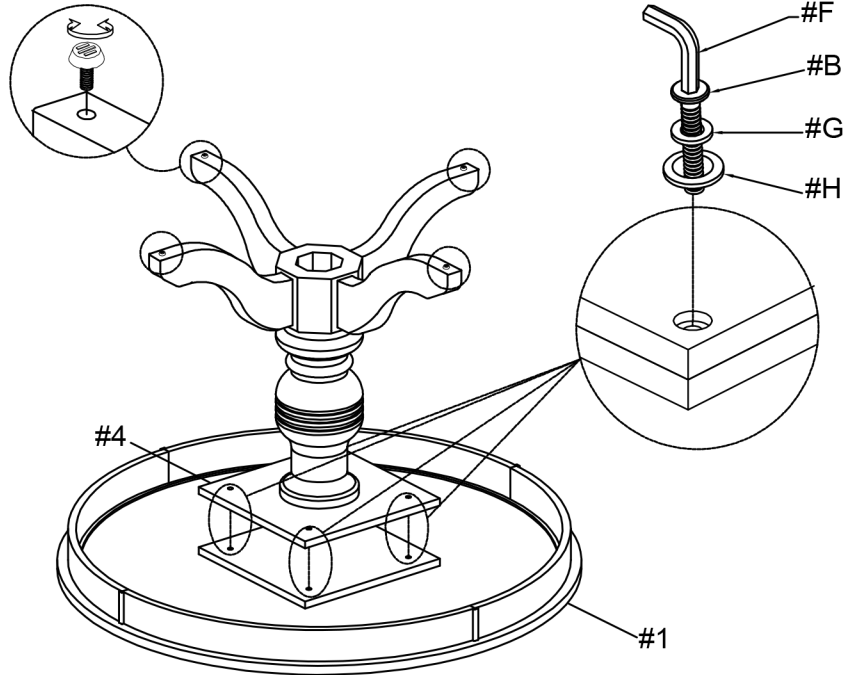
# ASSEMBLY INSTRUCTIONS

Align mounting plate (#4) to the table top (#1), then secure by using bolts (#B) with washers (#G,H).

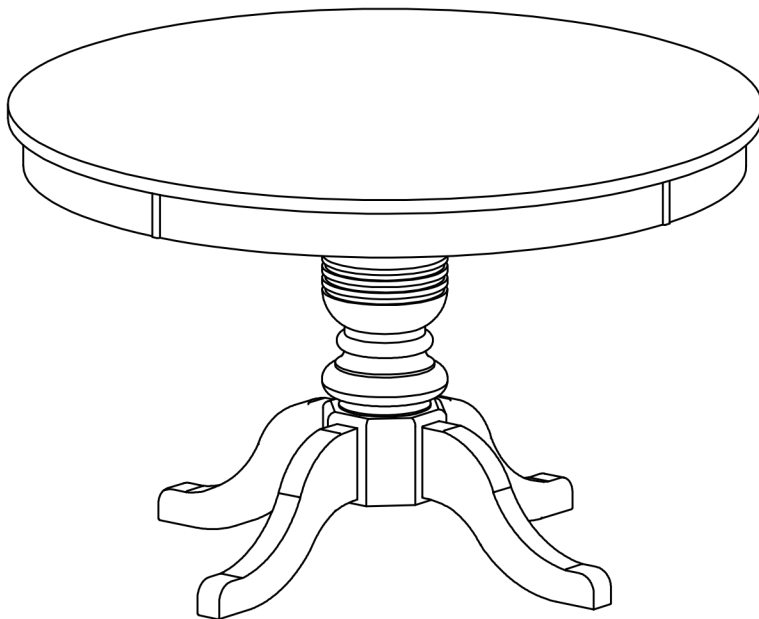
## 3

Adjust Leveler

- Part #1 x1pc
- Hardware #B x4pcs
- Hardware #G x4pcs
- Hardware #H x4pcs



## 4



### ASSEMBLY COMPLETED



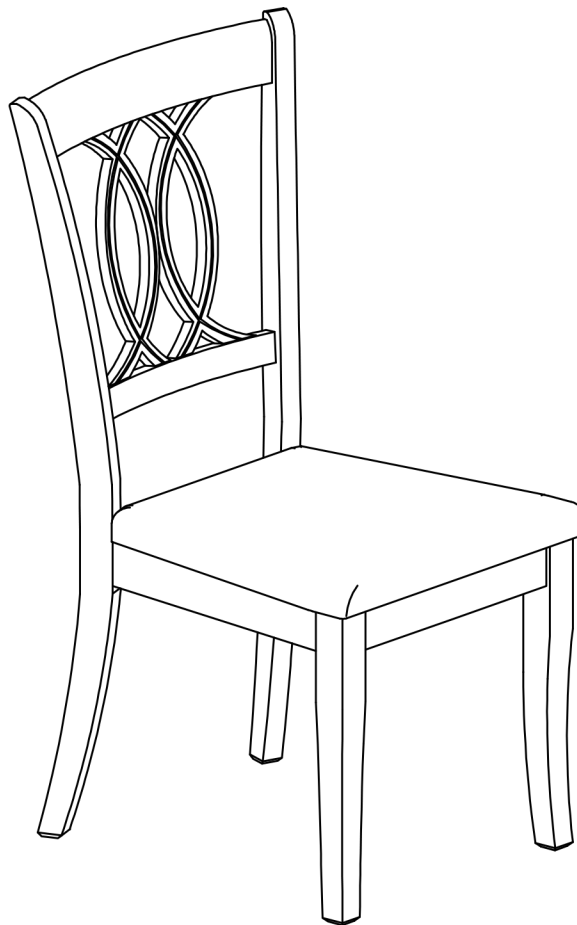
Please ensure the furniture rests on an even and flat surface. If the product wobbles or feels loose, double-check all bolts and/or screws are properly tightened and secured.



#### Keep this handy!

Please retain this instruction manual and any order-related information for future reference.

# Assembly Instructions

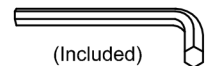


## ASSEMBLY RATING

The Assembly Rating is a 5-point system that shows the degree of effort needed in assembling a specific product (with 1 being easy and 5 being difficult). For some products, two persons are recommended.

Tools Required For Assembly:

Allen Wrench



(Included)

EASY

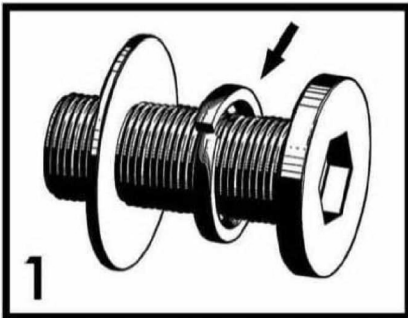


DIFFICULT

# ASSEMBLY & CARE ADVICE

FOR YOUR FURNITURE TO LAST, CORRECT ASSEMBLY AND PROPER MAINTENANCE ARE NECESSARY. PLEASE FOLLOW THE INFORMATION PROVIDED BELOW TO FULLY ENJOY YOUR FURNITURE.

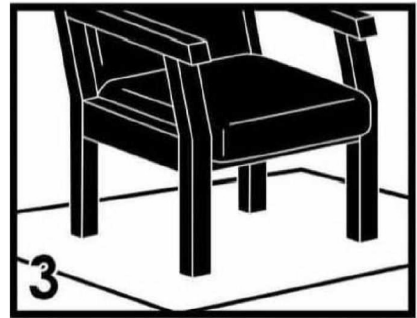
## BASIC ASSEMBLY TECHNIQUES



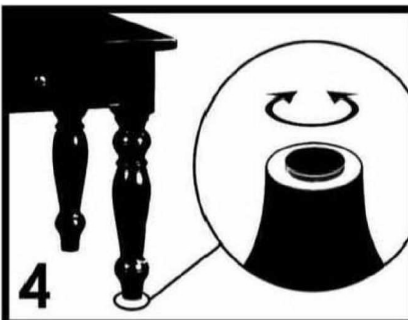
When lock or spring washer is used in an assembly, please make sure the lock or spring washer is placed between the larger flat washer and the head of the screw or bolt.



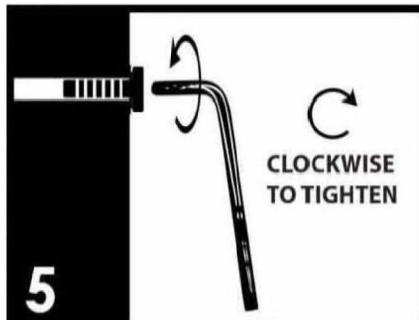
Position each part correctly and insert screws or bolts into their respective holes by hand tighten or using the proper hand tool. Only tighten when step is completed or when instructed to do so.



Use cardboard or carpet area when assembling furniture to prevent scratches. Make sure the furniture rests on a flat and level surface with each leg evenly touching the floor.



Some furniture comes with height adjustment knobs underneath each leg. To lower or to raise each leg, you need to turn clockwise or counterclockwise, respectively.



Make sure all parts are properly aligned, then use the appropriate hand tool to completely tighten the bolts or screws. Do not use power tools and do not overtighten.

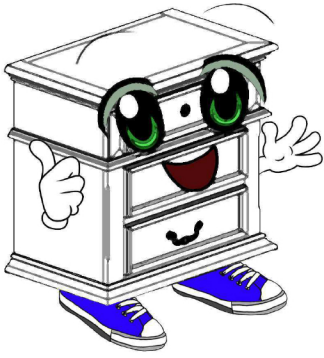


Save the instructions and store the Allen wrench or any supplied tool for later maintenance. After two weeks, check and tighten any loose hardware and repeat again every six months thereafter.

IT IS THE USER'S RESPONSIBILITY TO MAINTAIN THE FURNITURE. THE HARDWARE MAY LOOSEN OVER TIME AND MAY CAUSE THE FURNITURE TO BE WOBBLY AND UNABLE TO SUPPORT ITS INTENDED WEIGHT CAPACITY. THIS MAY LEAD TO COLLAPSE AND MAY CAUSE SERIOUS INJURY.



**FAILURE TO FOLLOW THE GUIDELINES ABOVE MAY RESULT IN INJURY AND/OR PROPERTY DAMAGE.**

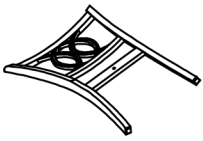


Before you begin, please read Page 2 of "Assembly and Care Advice".

And remember, do not tighten until each step is completed or instructed.

### Parts List

### Hardware List



#1 x 1pc x 2  
Backrest w/Legs



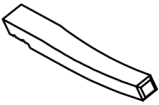
#A x 4pcs x 2  
Bolt Ø1/4" x 3"



#2 x 1pc x 2  
Seat Cushion



#B x 4pcs x 2  
Bolt Ø1/4" x 2-3/8"



#3 x 2pcs x 2  
Front Leg (L&R)



#C x 1pc x 2  
Bolt Ø1/4" x 1-1/2"



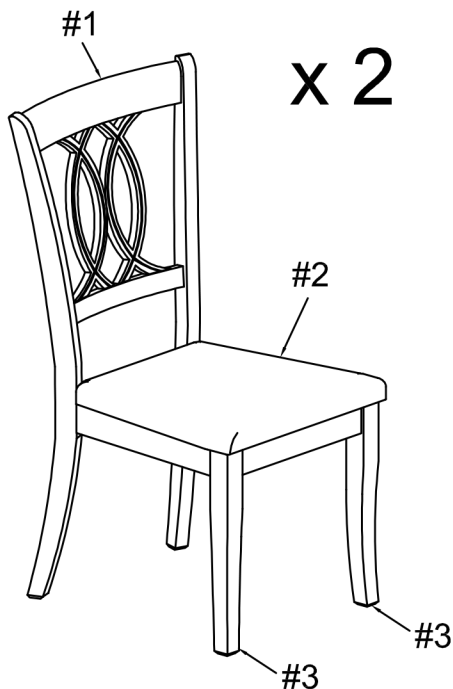
#D x 9pcs x 2  
Lock Washer Ø1/4"



#E x 9pcs x 2  
Flat Washer Ø1/4"



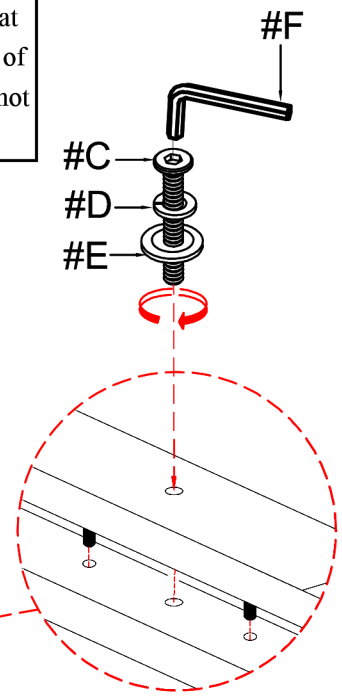
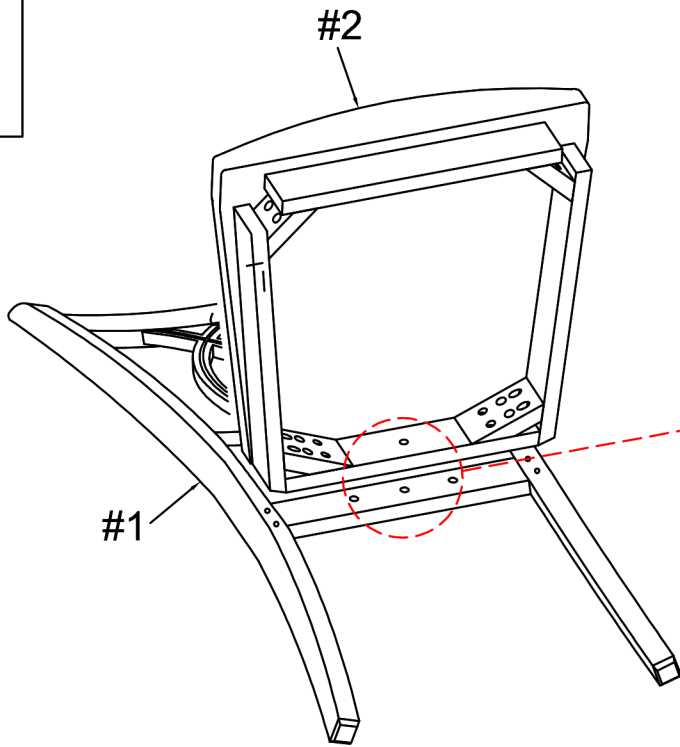
#F x 1pc x 2  
Allen Wrench 4mm





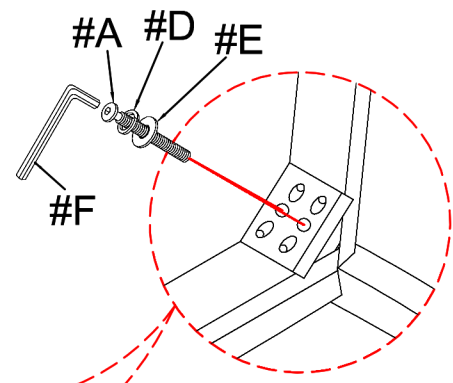
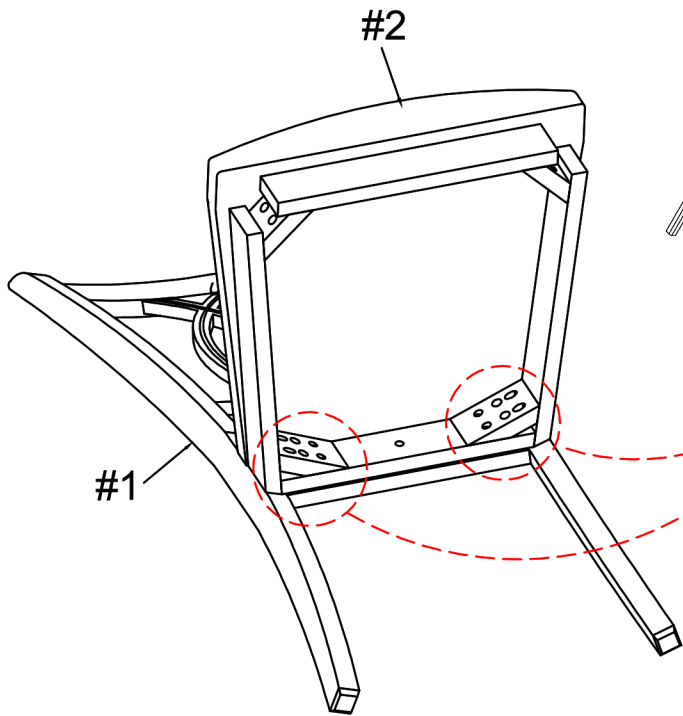
Prepare 1 bolt assembly by inserting lock washer (#D), then flat washer (#E) onto bolts (#C). Align chair seat (#2) to the holes of the chairback (#1). Secure center hole with bolts (#C), but do not fully tighten.

- #C x 1pc
- #D x 1pc
- #E x 1pc



Prepare 4 bolts assembly by inserting lock washer (#D), then flat washer (#E) onto bolts (#A). Secure corner holes with bolts (#A) and fully tighten all bolts.

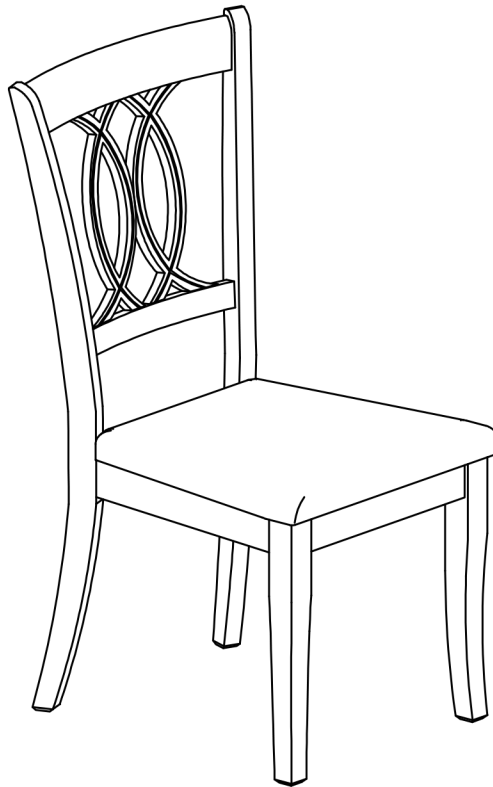
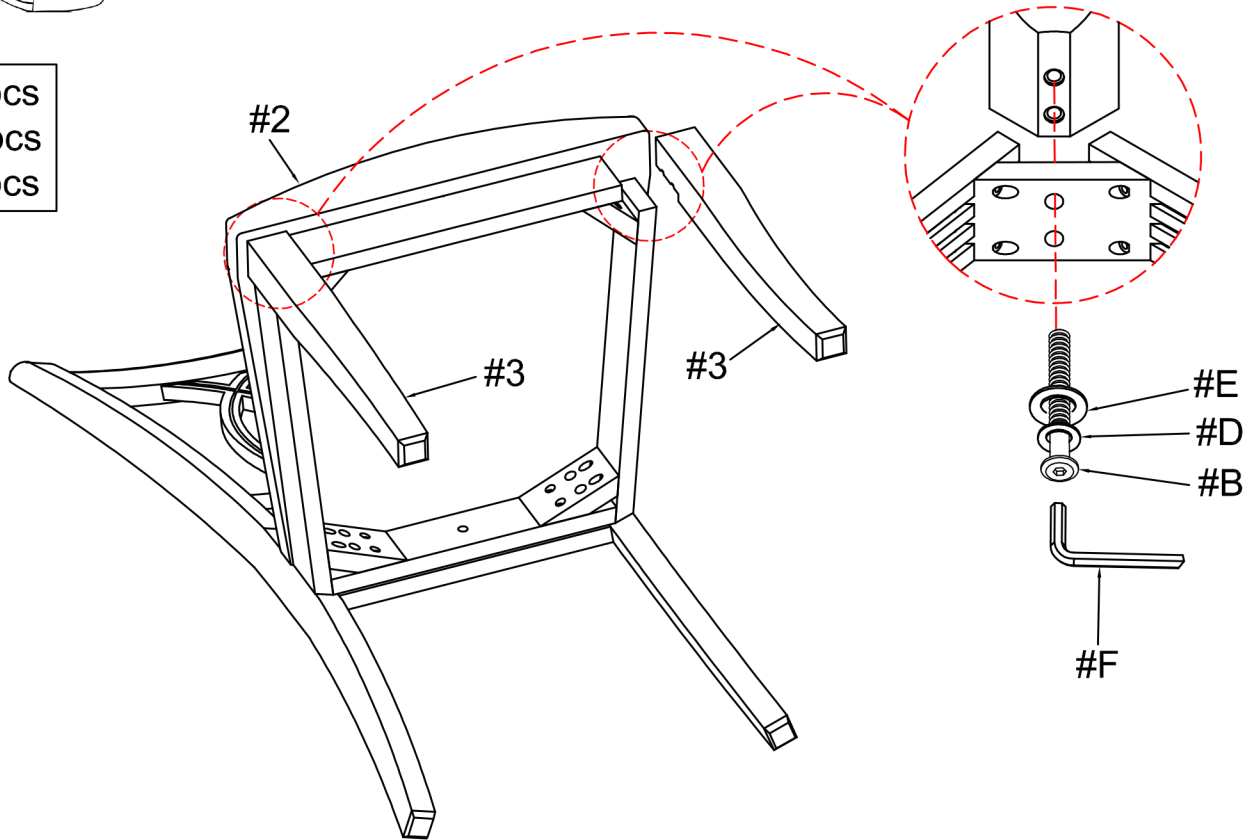
- #A x 4pcs
- #D x 4pcs
- #E x 4pcs





Prepare 4 bolts assembly by inserting lock washer (#D), then flat washer (#E) onto bolts (#B). Align and secure legs (#3) onto chair seat (#2) by using bolts (#B). Fully tighten bolts.

#B x 4pcs  
#D x 4pcs  
#E x 4pcs



ASSEMBLY IS COMPLETED