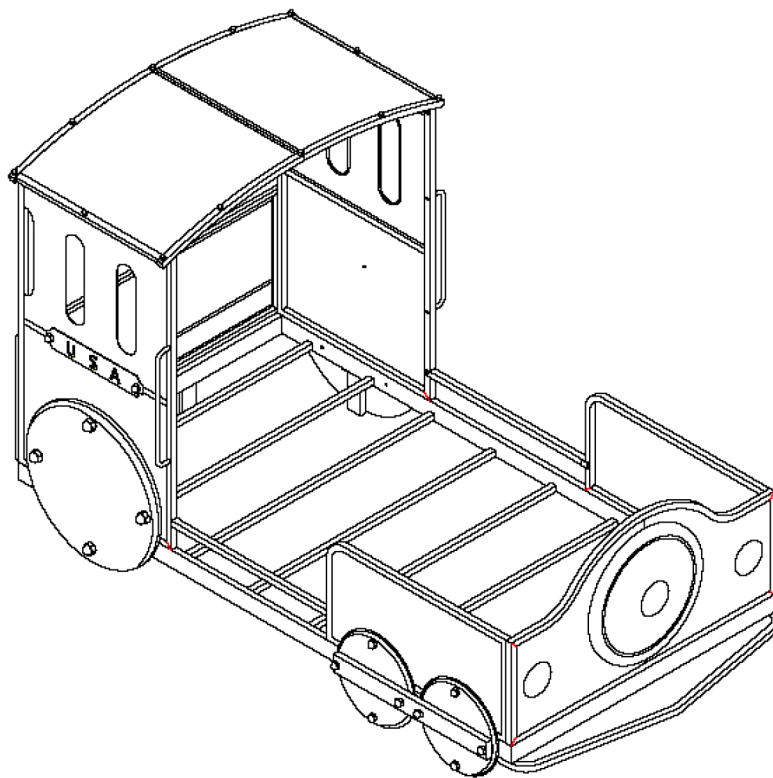


Assembly Instructions



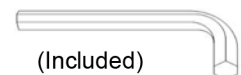
ASSEMBLY RATING

The Assembly Rating is a 5-point system that shows the degree of effort needed in assembling a specific product (with 1 being easy and 5 being difficult). For some products, two persons are recommended.

EASY  DIFFICULT

Tools Required for Assembly:

Allen Wrench



2 PERSONS RECOMMENDED

90-DAY LIMITED REPLACEMENT PARTS WARRANTY

This item comes with a 90-day limited replacement parts warranty to the original purchaser of new products against defects in materials and workmanship for a period of ninety (90) days from the date of receipt. This warranty is not transferrable. If a Product covered by this warranty is determined to be defective or missing an essential item within the warranty period, the manufacturer will, unless otherwise required by applicable law, either replace the Product or send the missing part at its sole option and discretion.

Exclusions

This limited warranty provides coverage to the original retail purchase and does not apply to rented, business, commercial, institutional, or other non-residential uses. This limited warranty does not apply to (i) merchandise that was, at any time, used as a floor sample or display model, (ii) any merchandise purchased "as is" or second-hand, (iii) any merchandise purchased at a distress sale or a going-out-of-business sale, or (iv) any merchandise purchased from a liquidator. All warranties, whether express or implied, cover only normal household usage. No warranty, express or implied, applies to any condition resulting from misuse, abuse, delivery or transportation damage, nor any condition resulting from incorrect or inadequate maintenance, cleaning or care. This warranty does not cover, for example: abuse, accident, protective coatings, cosmetic damage (e.g. scratches, dents, cracks), damage caused by use with other products (e.g. accessories, housing), damages from shipping, improper assembly or operation, lack of reasonable use, misuse, modifications or alterations, normal wear and tear or aging.

Shipping

This limited warranty does not cover shipping charges incurred by any means. Retailer or customer must arrange for shipping under all circumstances.

Chemical Treatments

This limited warranty does not cover damages caused by use of chemical treatments or protective coatings on the finish, leather, or upholstered fabric. Any such chemical treatments or protective coatings voids all warranty.

Upholstered Fabric and Finishes

This limited warranty does not cover (i) damages resulting from excessive soiling, improper or unapproved cleaning methods, (ii) fading or other damages resulting from exposure to sunlight, (iii) damages resulting from household humidity, or (iv) damages resulting from any liquid, including but not limited to alcohol and water. Any use of improper or unapproved cleaning methods voids all warranties.

CLAIM PROCEDURE

If a problem should arise which you feel is covered by our limited warranty, contact the authorized retailer from whom you purchased your furniture. Please make sure any claim for warranty service is accompanied by the necessary information to satisfy the warranty requirements. If necessary, the retailer will contact manufacturer to establish service. Manufacturer reserves the right to require defective parts be returned upon request or proper proof (e.g. images, video) be provided for claim. Manufacturer is not responsible for scheduling or the cost of transporting your furniture or its replacement parts from your home to the retailer or from the retailer to your home. You must make those arrangements with the retailer.

DISCLAIMER

No other express warranty has been made or will be made on behalf of manufacturer with respect to the furniture and its parts, or the operation, repair, or replacement of the furniture and its parts. Furthermore, no representative of manufacturer or its distributors or retailers is authorized to make any changes or modifications to these limited warranties.

Some retailers offer extended or additional warranties either from the retailer or through a third-party. Manufacturer shall not be liable under any extended or additional warranties offered by any retailer or through a third-party. In no event shall manufacturer be responsible for consequential or incidental damages, such as loss of use, inconvenience, loss or damage to personal property, whether indirect or direct, and whether arising in contract or tort. In no event shall manufacturer's responsibility exceed the purchase price of the product or its replacement.

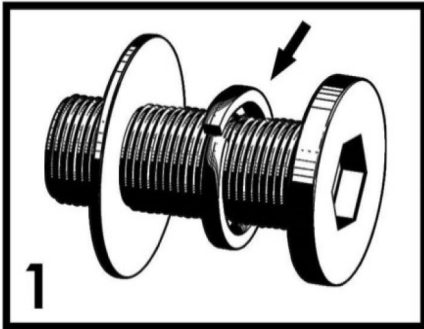
Legal Rights

This warranty gives the owner specific legal rights and you may have other rights, which may vary from state to state.

ASSEMBLY & CARE ADVICE

FOR YOUR FURNITURE TO LAST, CORRECT ASSEMBLY AND PROPER MAINTENANCE ARE NECESSARY. PLEASE FOLLOW THE INFORMATION PROVIDED BELOW TO FULLY ENJOY YOUR FURNITURE.

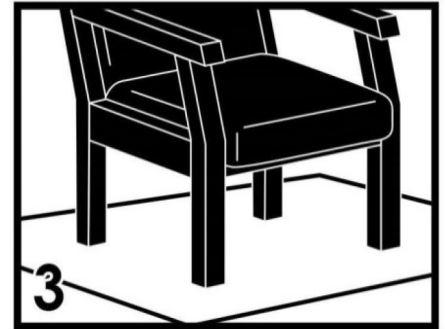
BASIC ASSEMBLY TECHNIQUES



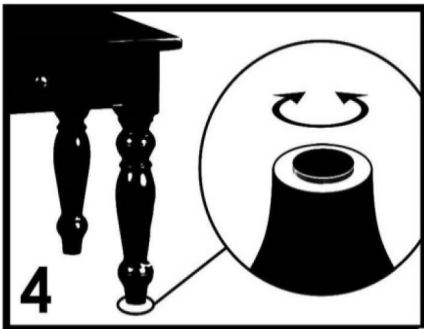
1 When lock or spring washer is used in an assembly, please make sure the lock or spring washer is placed between the larger flat washer and the head of the screw or bolt.



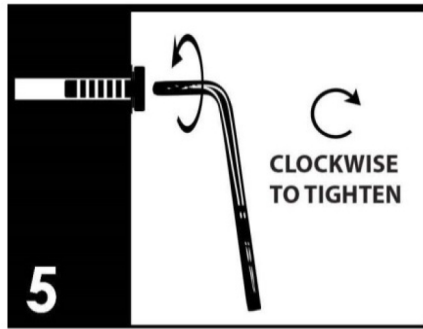
2 Position each part correctly and insert screws or bolts into their respective holes by hand tighten or using the proper hand tool. Only tighten when step is completed or when instructed to do so.



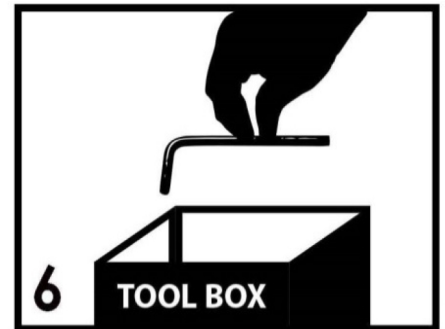
3 Use cardboard or carpet area when assembling furniture to prevent scratches. Make sure the furniture rests on a flat and level surface with each leg evenly touching the floor.



4 Some furniture comes with height adjustment knobs underneath each leg. To lower or to raise each leg, you need to turn clockwise or counterclockwise, respectively.



5 Make sure all parts are properly aligned, then use the appropriate hand tool to completely tighten the bolts or screws. Do not use power tools and do not overtighten.



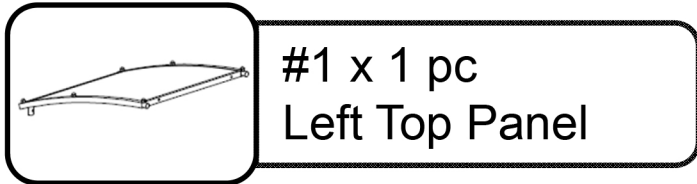
6 Save the instructions and store the Allen wrench or any supplied tool for later maintenance. After two weeks, check and tighten any loose hardware and repeat again every six months thereafter.

IT IS THE USER'S RESPONSIBILITY TO MAINTAIN THE FURNITURE. THE HARDWARE MAY LOOSEN OVER TIME AND MAY CAUSE THE FURNITURE TO BE WOBBLY AND UNABLE TO SUPPORT ITS INTENDED WEIGHT CAPACITY. THIS MAY LEAD TO COLLAPSE AND MAY CAUSE SERIOUS INJURY.

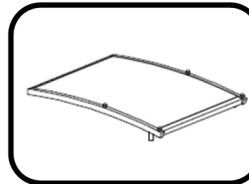


FAILURE TO FOLLOW THE GUIDELINES ABOVE MAY RESULT IN INJURY AND/OR PROPERTY DAMAGE.

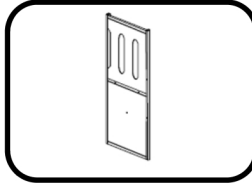
Parts List



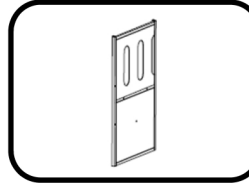
#1 x 1 pc
Left Top Panel



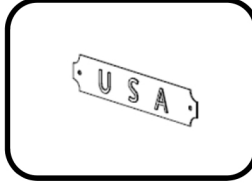
#2 x 1 pc
Right Top Panel



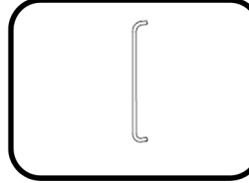
#3 x 1 pc
Left H/Board Side



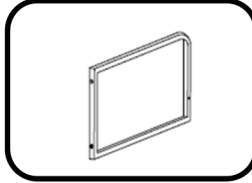
#4 x 1 pc
Right H/Board Side



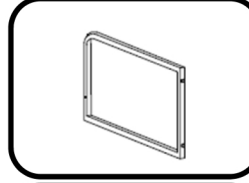
#5 x 2 pcs
Sign



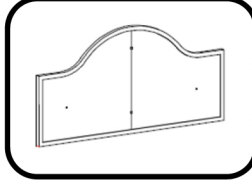
#6 x 2 pcs
Handle



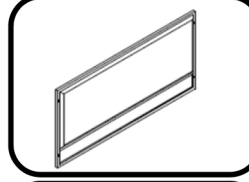
#7 x 1 pc
Left F/Board Side



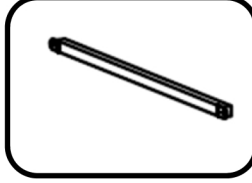
#8 x 1 pc
Right F/Board Side



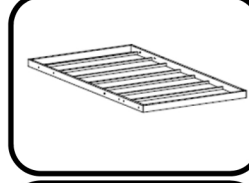
#9 x 1 pc
Footboard



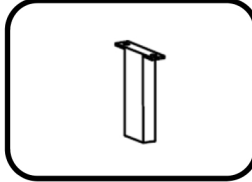
#10 x 1 pc
Headboard



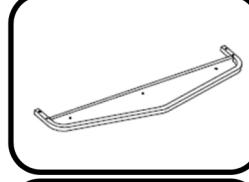
#11 x 2 pcs
Side Rail



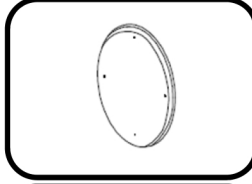
#12 x 1 pc
Bed Frame



#13 x 5 pcs
Leg



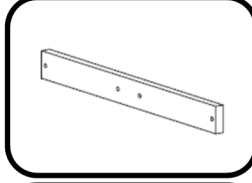
#14 x 1 pc
Bottom Front Panel



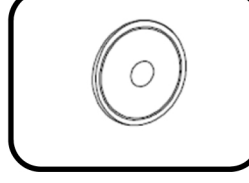
#15 x 2 pcs
Rear Wheel



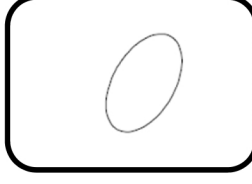
#16 x 4 pcs
Front Wheel



#17 x 2 pcs
Side Rod

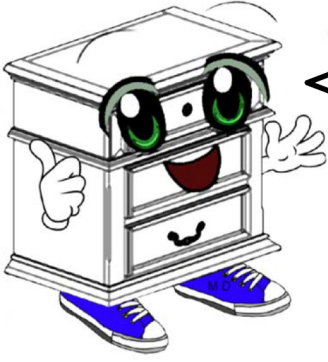


#18 x 1 pc
Front Round Panel



#19 x 2 pcs
Headlight

Note: Right and left are determined by facing the FRONT of the fully-assembled bed.



Before you begin, please read Page 3 of “Assembly and Care Advice”.

And remember, do not tighten until each step is completed or instructed.

Hardware List



#A x 18 pcs
Bolt M6x10



#B x 16 pcs
Bolt M6x15



#C x 14 pcs
Bolt M6x25



#D x 6 pcs
Bolt M6x30



#E x 10 pcs
Bolt M6x60



#F x 2 pcs
Bolt M6x8



#G x 1 pc
Bolt M6x75



#H x 8 pcs
Cap Nut M6



#I x 20 pcs
Cap Nut M6



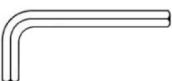
#J x 4 pcs
Threaded Stud



#K x 8 pcs
Threaded Stud



#L x 2 pcs
Barrel Nut



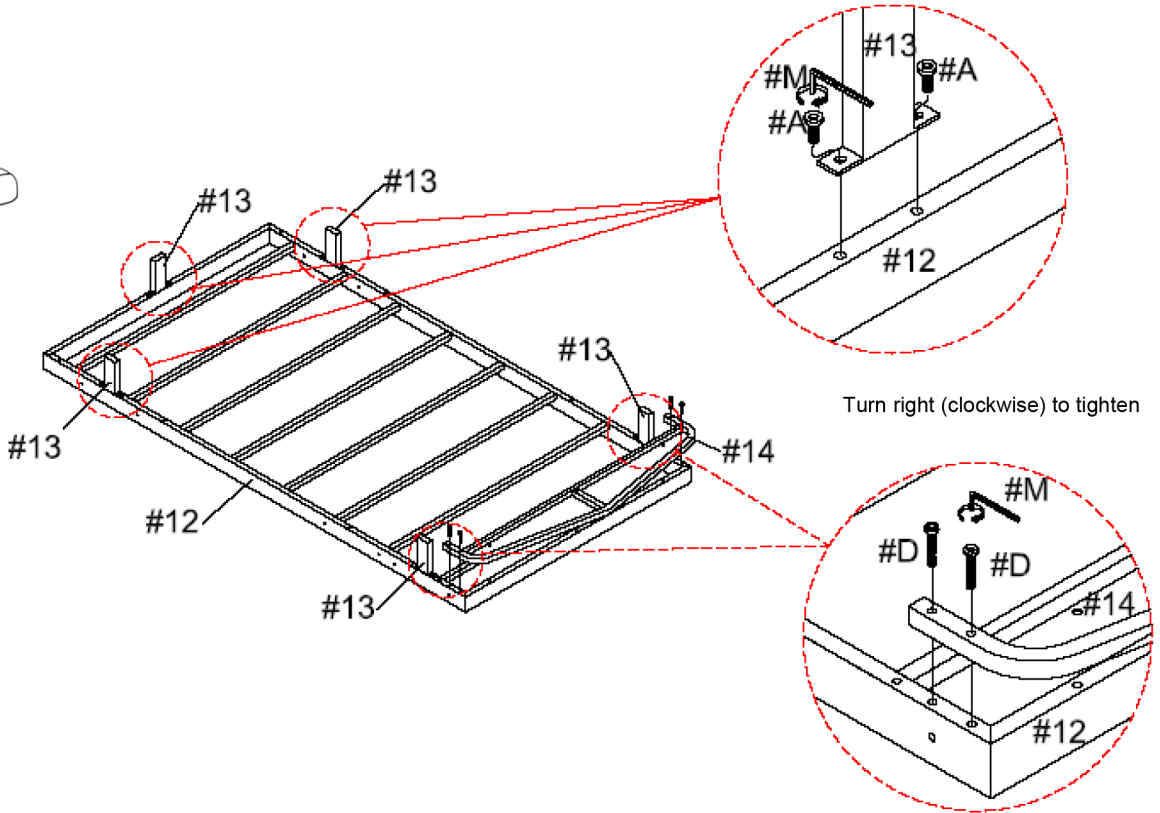
#M x 2 pcs
Allen Wrench



Due to the size and/or weight of this product, it is highly recommended that the assembly should be done near the area of its intended location. Make sure you have enough space to move around during the assembly. ALWAYS have at least two people to help with transporting and assembling the product to avoid any potential injury and/or damage.



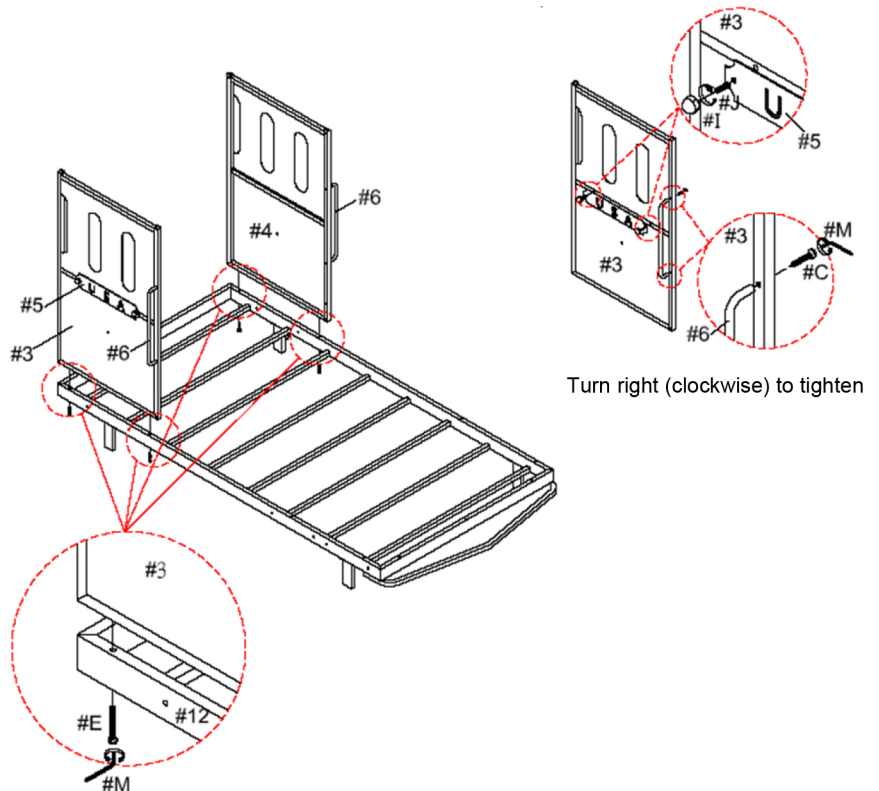
#A x 10 pcs
#D x 4 pcs



Turn right (clockwise) to tighten



#C x 4 pcs
#E x 4 pcs
#I x 4 pcs
#J x 4 pcs

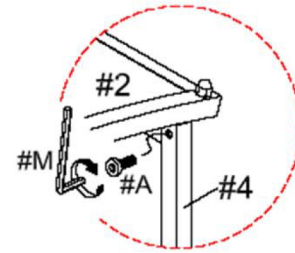
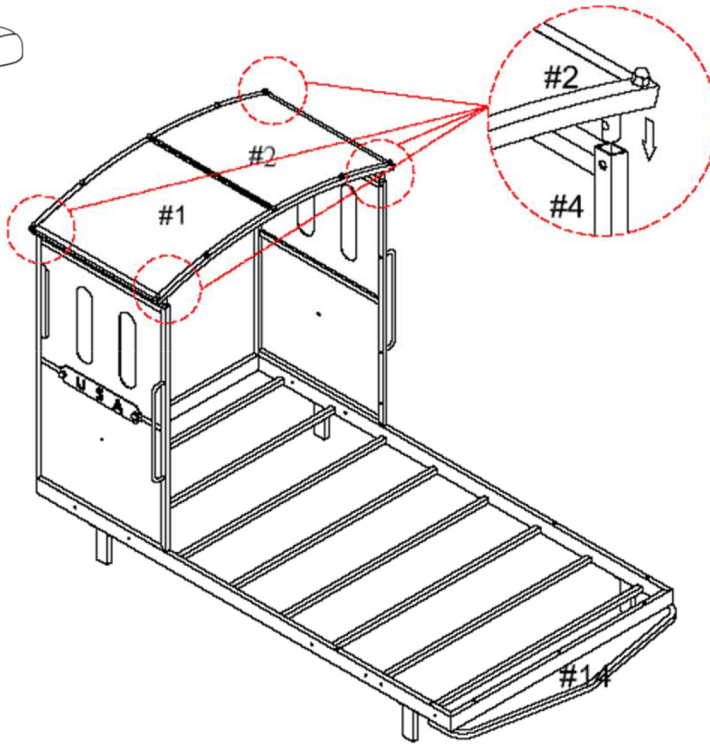


Turn right (clockwise) to tighten

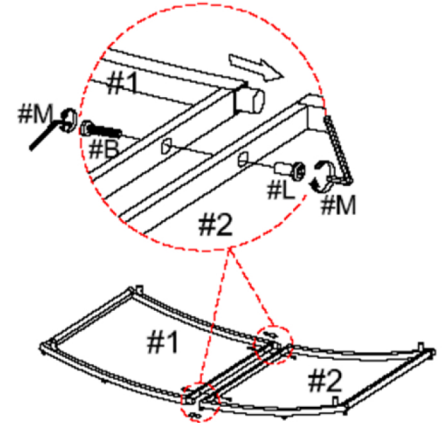


#3

- #A x 4 pcs
- #B x 2 pcs
- #L x 2 pcs

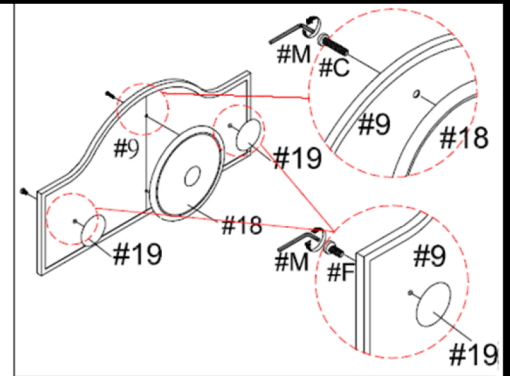
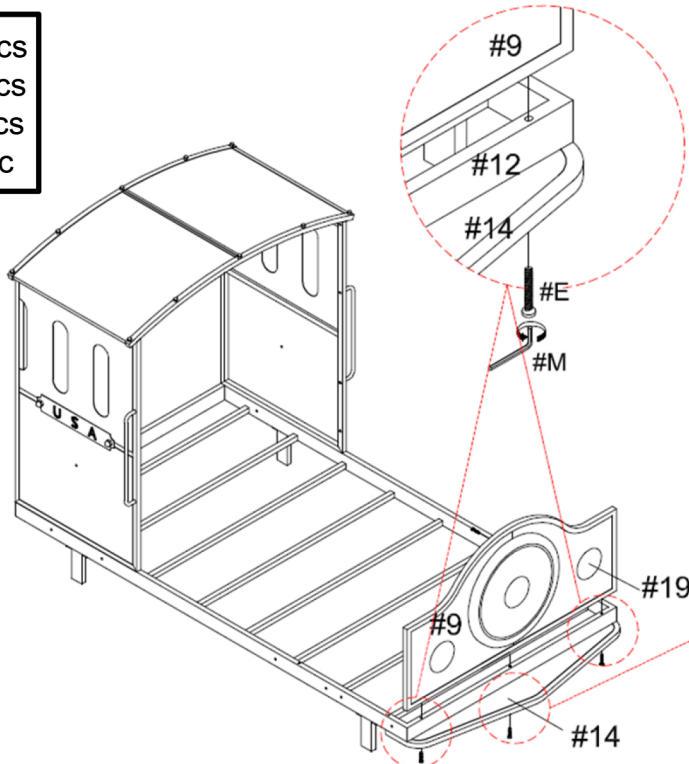


Turn right (clockwise) to tighten

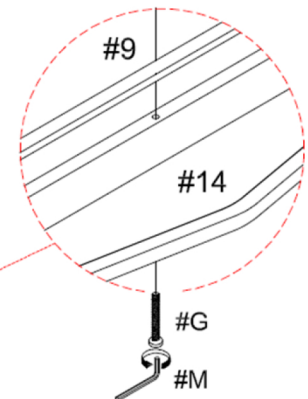


#4

- #C x 2 pcs
- #E x 2 pcs
- #F x 2 pcs
- #G x 1 pc



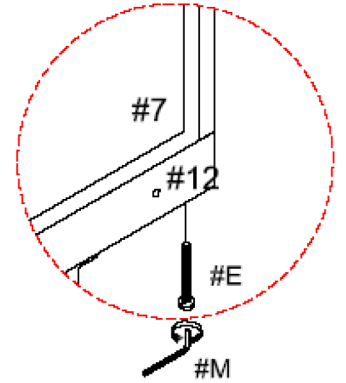
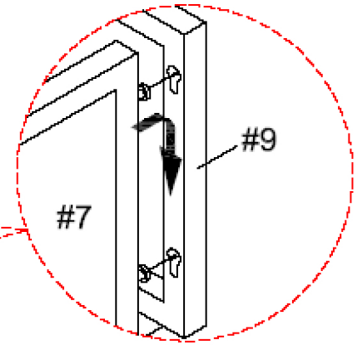
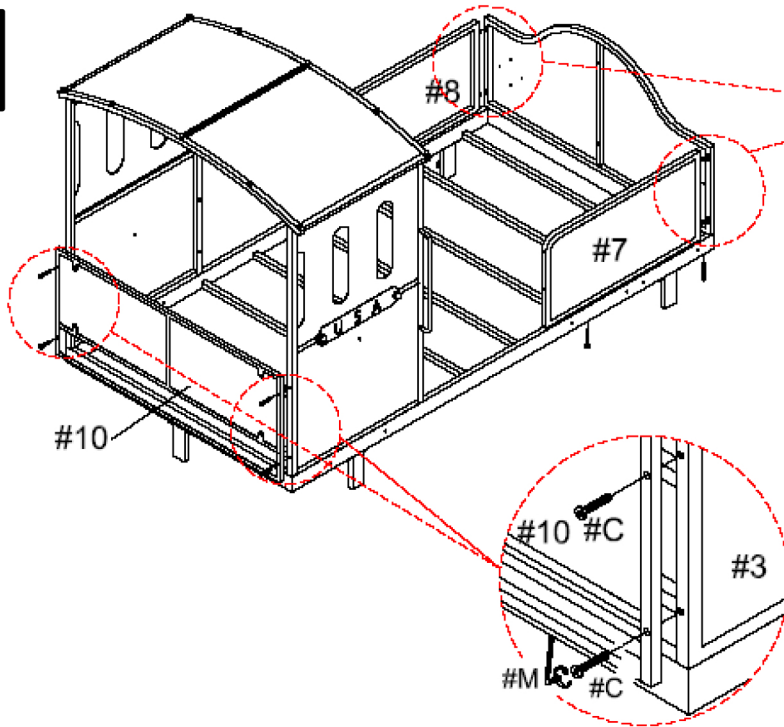
Turn right (clockwise) to tighten





#5

#C x 4 pcs
#E x 4 pcs

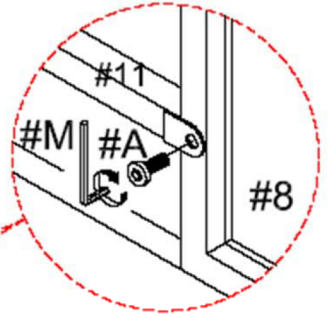
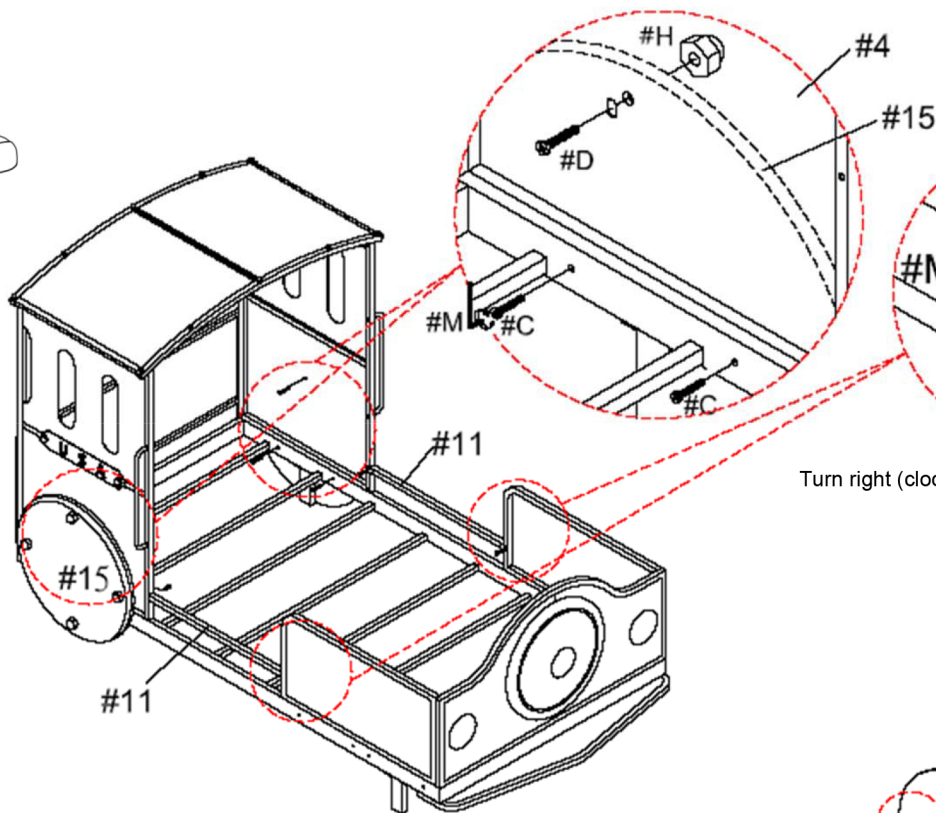


Turn right (clockwise) to tighten

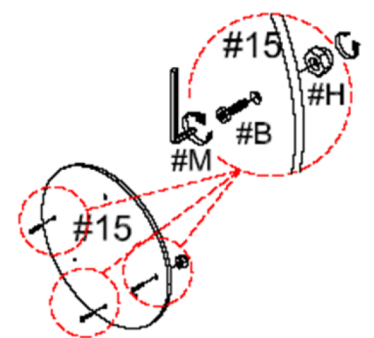


#6

#A x 4 pcs
#B x 6 pcs
#C x 4 pcs
#D x 2 pcs
#H x 8 pcs

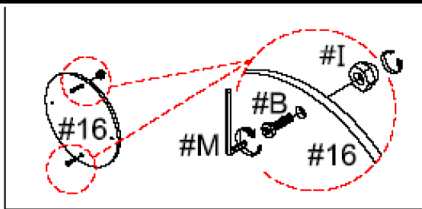
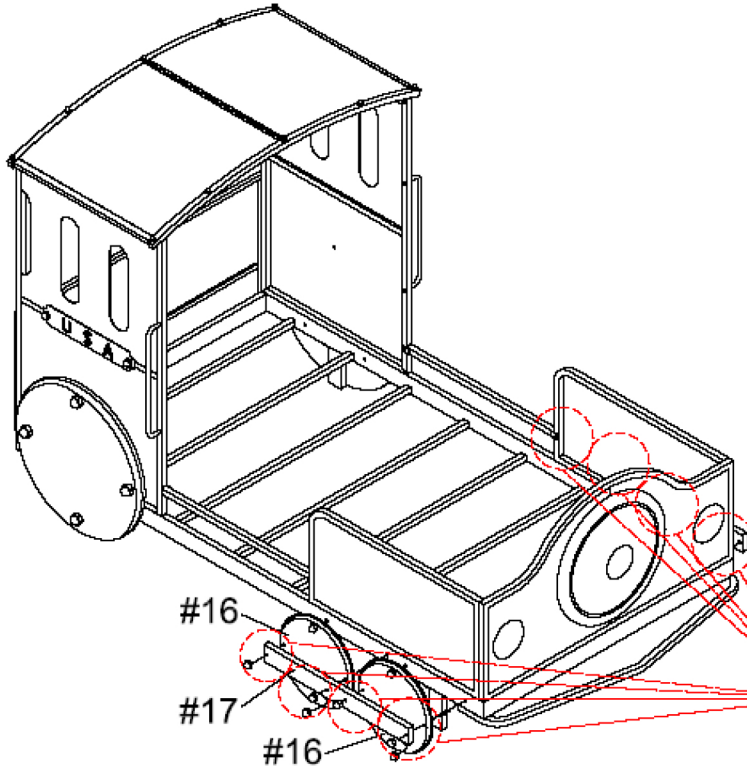


Turn right (clockwise) to tighten

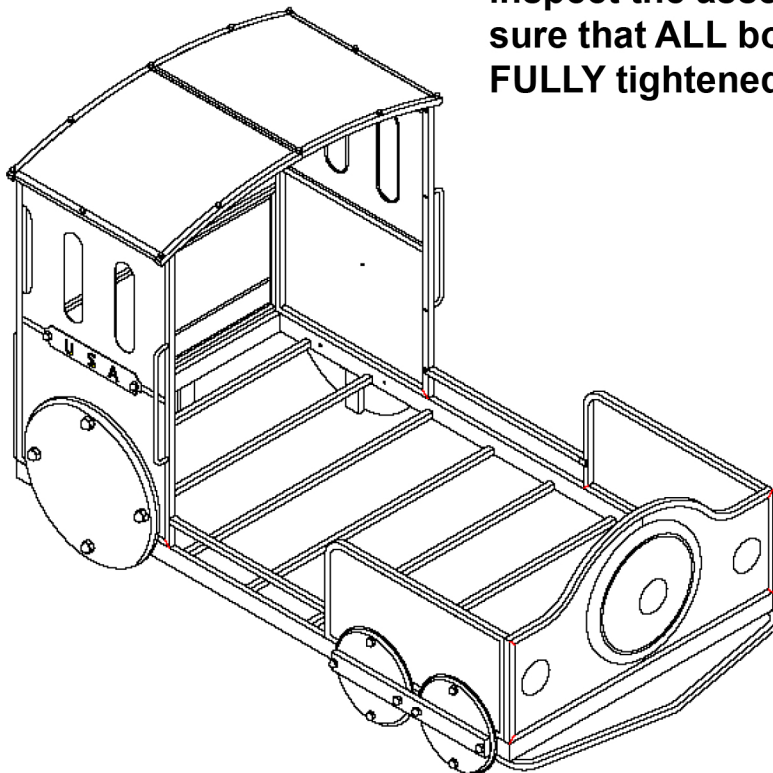
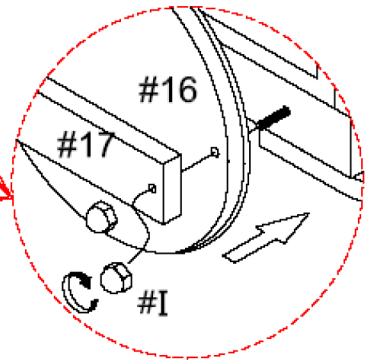
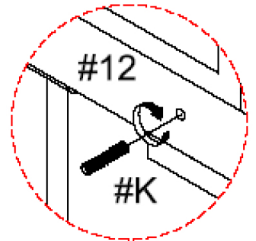




#B x 8 pcs
 #I x 16 pcs
 #K x 8 pcs



Turn right (clockwise) to tighten



Safety is ALWAYS the main priority.
 For extra safety measure and before using the bed, please take the time to inspect the assembly again and make sure that ALL bolts and screws are FULLY tightened.

ASSEMBLY IS COMPLETED