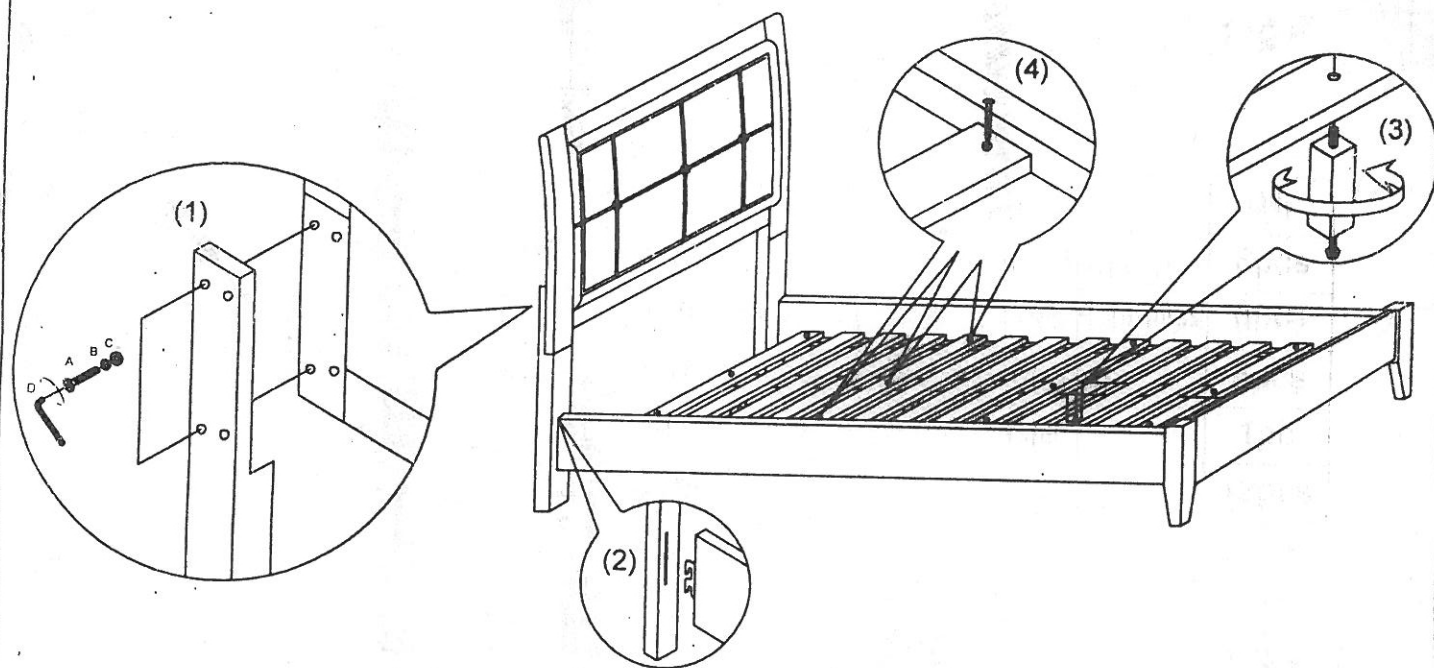




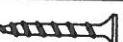


ASSEMBLY INSTRUCTIONS QUEEN/FULL/C KING/E KING FOR BED



No.		Hardware list/hardware list	Q'ty
A		5/16" *1-3/8" JCBC Bolt / Boulons	8pcs
B		5/16" Spring washer / Bondir des Rondelles	8pcs
C		5/16" Flat washer / Bondir des	8pcs
D		1/4" Allen Key / L'Allen Clé	1pc
E		#4*30 Screws / Vis	12pcs