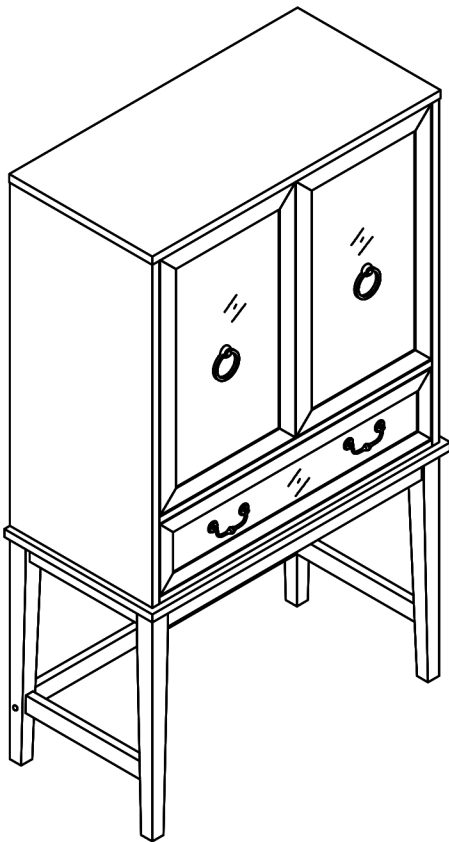


Assembly Instructions

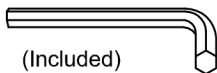


ASSEMBLY RATING

The Assembly Rating is a 5-point system that shows the degree of effort needed in assembling a specific product (with 1 being easy and 5 being difficult). For some products, two persons are recommended.

Tools Required For Assembly:

Allen Wrench



(Included)

Phillips Screwdriver



(Not Included)

EASY



DIFFICULT

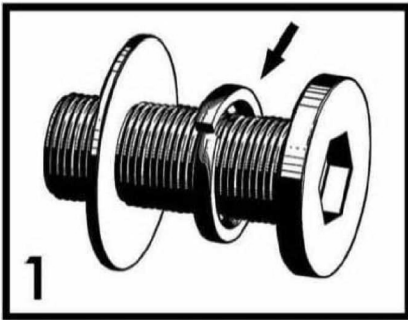


2 PERSONS RECOMMENDED

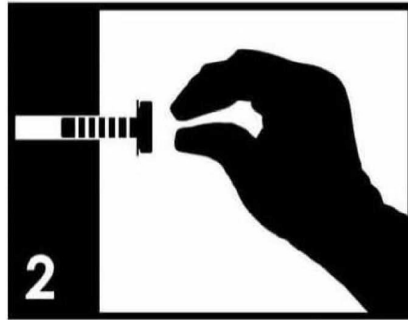
ASSEMBLY & CARE ADVICE

FOR YOUR FURNITURE TO LAST, CORRECT ASSEMBLY AND PROPER MAINTENANCE ARE NECESSARY. PLEASE FOLLOW THE INFORMATION PROVIDED BELOW TO FULLY ENJOY YOUR FURNITURE.

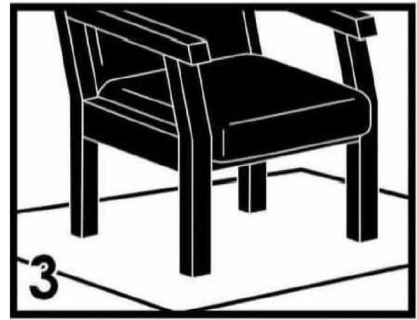
BASIC ASSEMBLY TECHNIQUES



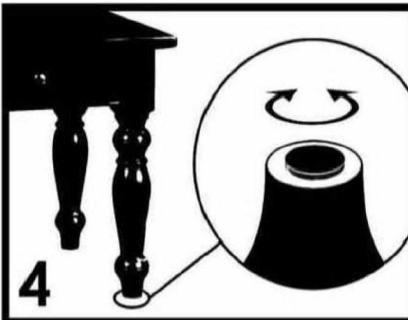
When lock or spring washer is used in an assembly, please make sure the lock or spring washer is placed between the larger flat washer and the head of the screw or bolt.



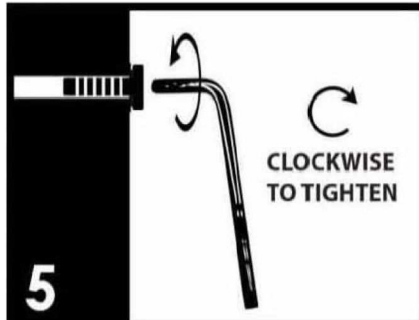
Position each part correctly and insert screws or bolts into their respective holes by hand tighten or using the proper hand tool. Only tighten when step is completed or when instructed to do so.



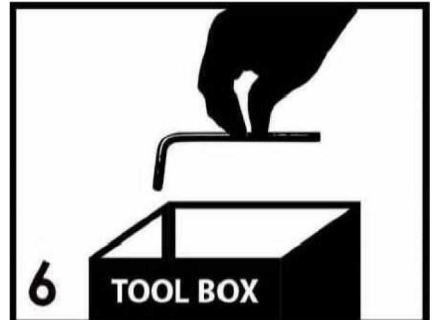
Use cardboard or carpet area when assembling furniture to prevent scratches. Make sure the furniture rests on a flat and level surface with each leg evenly touching the floor.



Some furniture comes with height adjustment knobs underneath each leg. To lower or to raise each leg, you need to turn clockwise or counterclockwise, respectively.

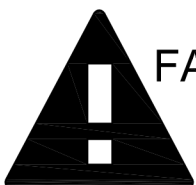


Make sure all parts are properly aligned, then use the appropriate hand tool to completely tighten the bolts or screws. Do not use power tools and do not overtighten.



Save the instructions and store the Allen wrench or any supplied tool for later maintenance. After two weeks, check and tighten any loose hardware and repeat again every six months thereafter.

IT IS THE USER'S RESPONSIBILITY TO MAINTAIN THE FURNITURE. THE HARDWARE MAY LOOSEN OVER TIME AND MAY CAUSE THE FURNITURE TO BE WOBBLY AND UNABLE TO SUPPORT ITS INTENDED WEIGHT CAPACITY. THIS MAY LEAD TO COLLAPSE AND MAY CAUSE SERIOUS INJURY.



FAILURE TO FOLLOW THE GUIDELINES ABOVE MAY RESULT IN INJURY AND/OR PROPERTY DAMAGE.

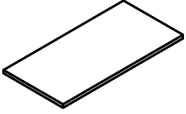
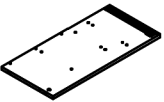
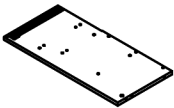
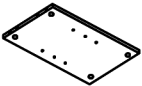
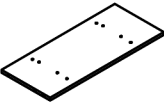

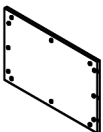
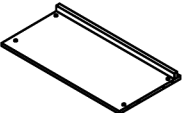


Before you begin, please read Page 2 of "Assembly and Care Advice".

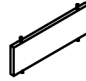
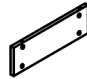
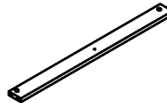
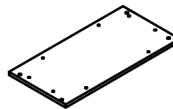
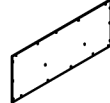


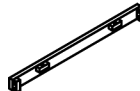
And remember, do not tighten until each step is completed or instructed.

MD

Parts List

-  #1 x 1pc
Top Panel
-  #2 x 1pc
Left Side Panel
-  #3 x 1pc
Right Side Panel
-  #4 x 2pcs
Middle Panel
-  #5 x 1pc
UP Shelf Panel
-  #6 x 2pcs
Side Shelf Panel
-  #7 x 1pc
Back Panel
-  #8 x 1pc
Down Shelf Panel

Parts List

-  #9 x 4pcs
Small Middle Panel
-  #10 x 2pcs
Side Small Middle Panel
-  #11 x 1pc
Cross Panel
-  #12 x 1pc
Bottom Panel
-  #13 x 1pc
Down Back Panel
-  #14 x 1pc
Left Side Frame
-  #15 x 1pc
Right Side Frame
-  #16 x 2pcs
Front Cross Panel




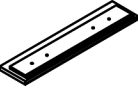
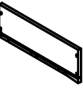
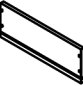




Before you begin, please read Page 2 of "Assembly and Care Advice".

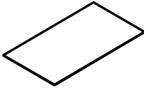
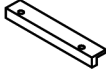

And remember, do not tighten until each step is completed or instructed.

MD

Parts List

-  #17 x 1pc
Down Cross Panel
-  #18 x 1pc
Left Door
-  #19 x 1pc
Right Door
-  #20 x 1pc
Drawer Face Panel
-  #21 x 1pc
Left Drawer Side Panel
-  #22 x 1pc
Right Drawer Side Panel
-  #23 x 1pc
Drawer Back Panel
-  #24 x 1pc
Drawer Cross Panel

Parts List

-  #25 x 1pc
Drawer Bottom Panel
-  #26 x 8pcs
Article Wine Rack
-  #27 x 1pc
Shelf Glass



Before you begin, please read Page 2 of "Assembly and Care Advice".

And remember, do not tighten until each step is completed or instructed.

MD

Parts List



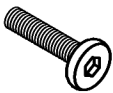
#A x 30pcs
Cam bolts



#B x 30pcs
Cam lock



#C x 50pcs
Wood Dowel



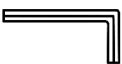
#D x 20pcs
Bolt ($\phi 1/4$ "X1-1/4")



#E x 16pcs
Lock Washer



#F x 16pcs
Flat Washer($\phi 1/4$ "X19)



#G x 1pc
Allen Wrench M4



#H x 26pcs
Screw ($\phi 5/32$ " x 25)

Hardware List



#I x 18pcs
Screw ($\phi 1/8$ " x 12)



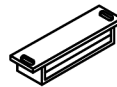
#J x 4pcs
Hinge



#K x 28pcs
Screw ($\phi 1/8$ " x 15)



#L x 2pcs
Magnet Plate



#M x 1pc
Magnet



#N x 2pcs
Screw ($\phi 1/8$ " x 12)



#O x 2pcs
Knob



#P x 2pcs
Gasket



Before you begin, please read Page 2 of "Assembly and Care Advice".

And remember, do not tighten until each step is completed or instructed.

MD

Hardware List



#Q x 2pcs
Bolt 5/32"x3/4"



#R x 2pcs
Knob



#S x 4pcs
Bolt 5/32"x1-1/8"



#T x 4pcs
Shelf Pin



#U x 2pcs
Bolt 1/4"x1-3/4"



#V x 9pcs
Cam Bolt



#W x 9pcs
Cam lock



#X x 2pcs
Wood Plug

Hardware List



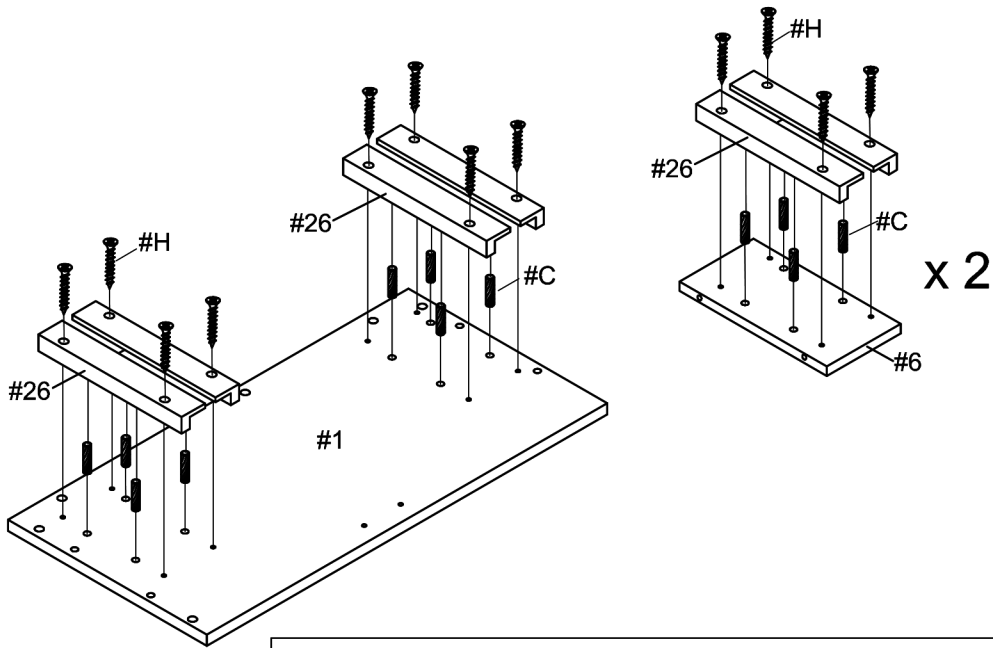
#Y x 18pcs
Adhesive Pad



#Z x 2pcs
Tilting Prevent Screw



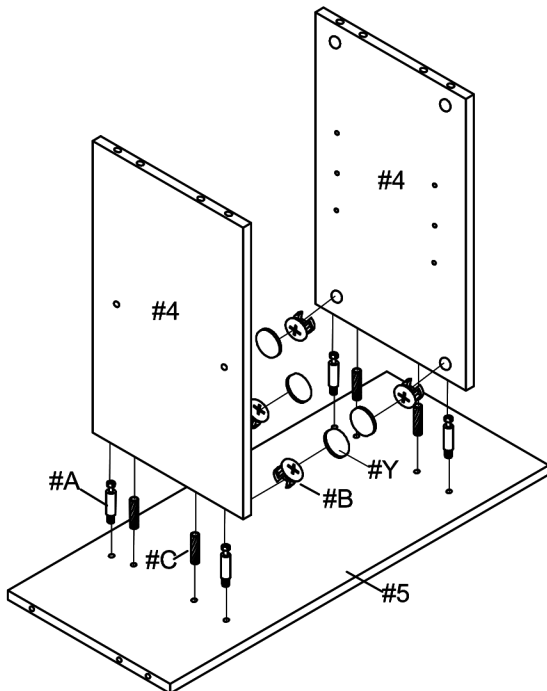
#C x 16pcs
#H x 16pcs



Insert wood dowels (#C) into the holes along the top panel (#1) and shelf panels (#6), then place the article wine racks (#26) onto those dowels (#C). Insert 4 screws (#H) into each and secure using a screwdriver.

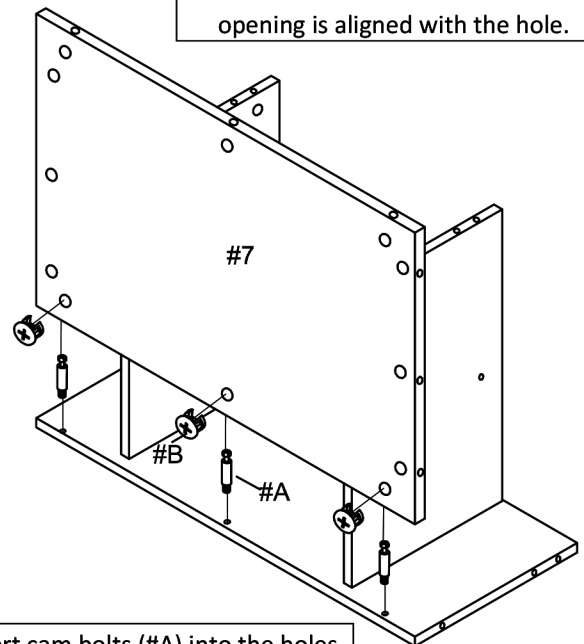


#A x 4pcs
#B x 4pcs
#C x 4pcs
#Y x 4pcs



#A x 3pcs
#B x 3pcs

1. Insert the cam bolts (#A) into the holes indicated, turn right to tighten.
2. Insert the cam locks (#B) into the holes indicated. Make sure the cam lock opening is aligned with the hole.

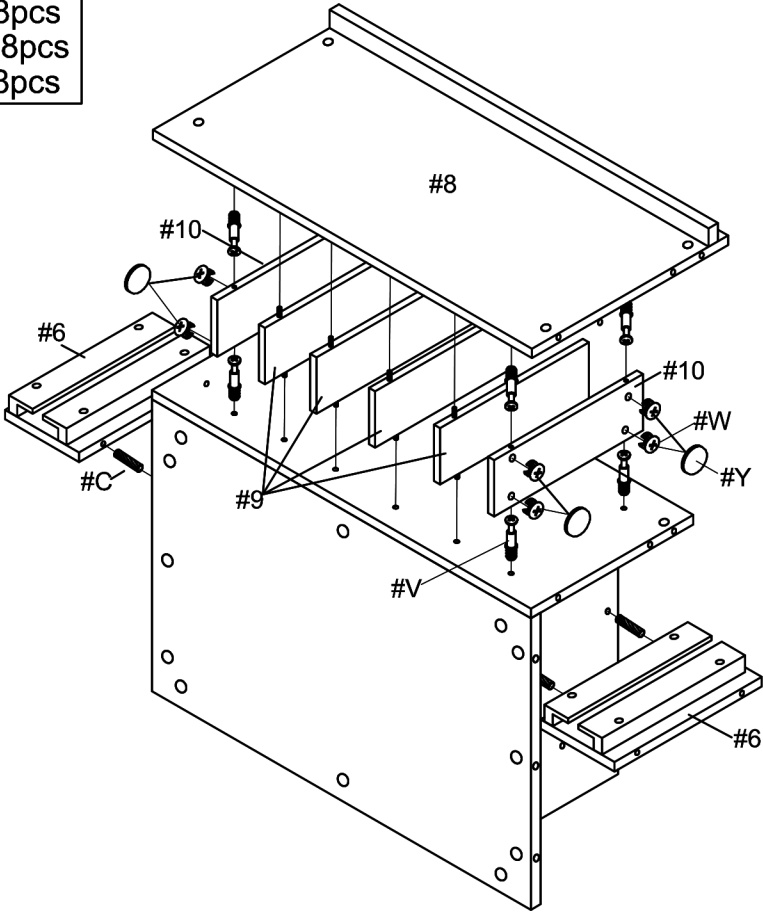


3. Insert cam bolts (#A) into the holes and into the cam locks (#E). Secure the cam locks using a screwdriver.



- #C x 4pcs
- #V x 8pcs
- #W x 8pcs
- #Y x 8pcs

1. Insert the cam bolts (#V) into the holes indicated, turn right to tighten.
2. Insert the cam locks (#W) into the holes indicated. Make sure the cam lock opening is aligned with the hole.
3. Insert cam bolts (#V) into the holes and into the cam locks (#W). Secure the cam locks using a screwdriver.

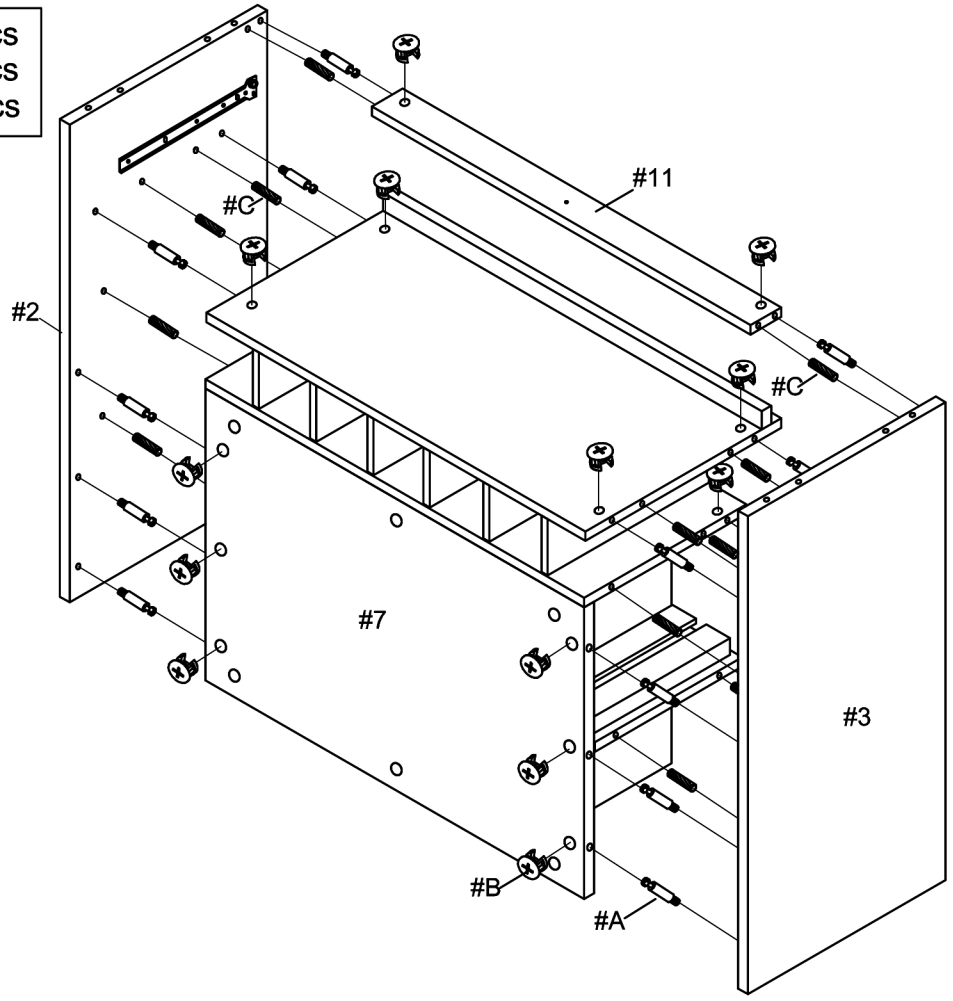


4. Place adhesive pads.



- #A x 14pcs
- #B x 14pcs
- #C x 12pcs

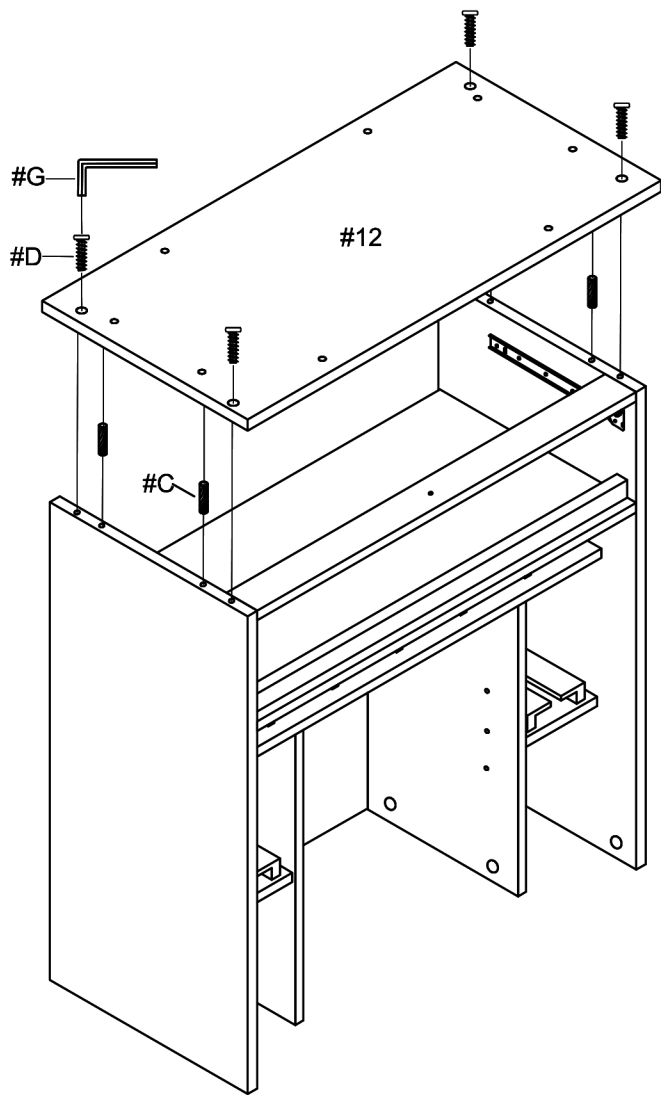
1. Insert the wood dowels (#C) into the holes indicated. Insert the cam bolts (#A) the holes indicated, turn right to tighten.
2. Insert the cam locks (#B) into the holes indicated. Make sure the cam lock opening is aligned with the hole.
3. Insert the dowels (#C) and cam bolts (#A) into the holes and into the cam locks (#B). Secure the cam locks using a screwdriver.



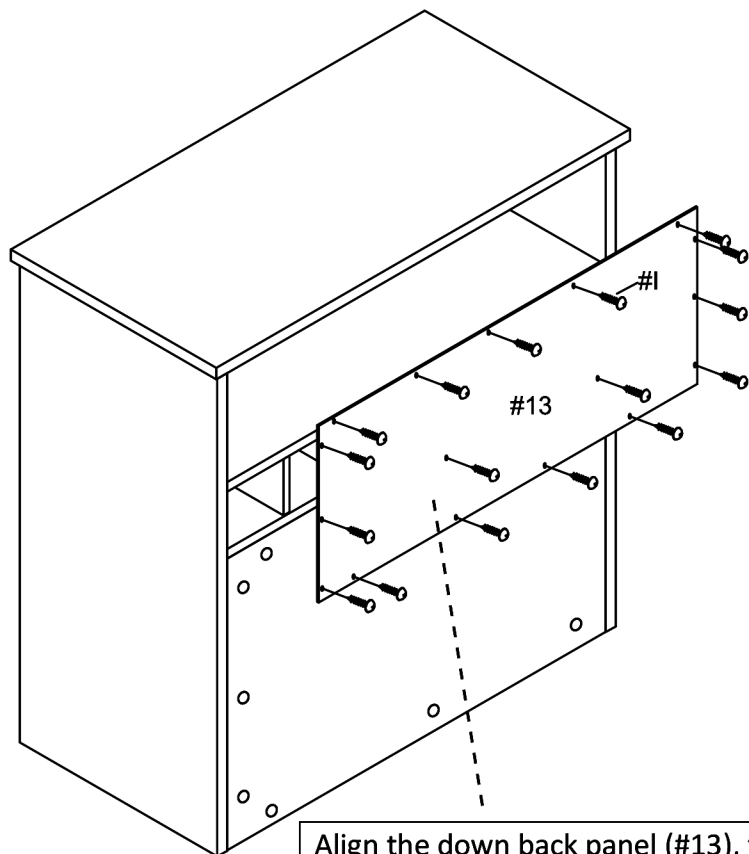


#C x 4pcs
#D x 4pcs
#G x 1pc

Insert the dowels (#C) into the inner holes, then place the bottom panel (#12) onto those dowels. Insert a bolt (#D) into each corner and secure using the Allen wrench (#G).



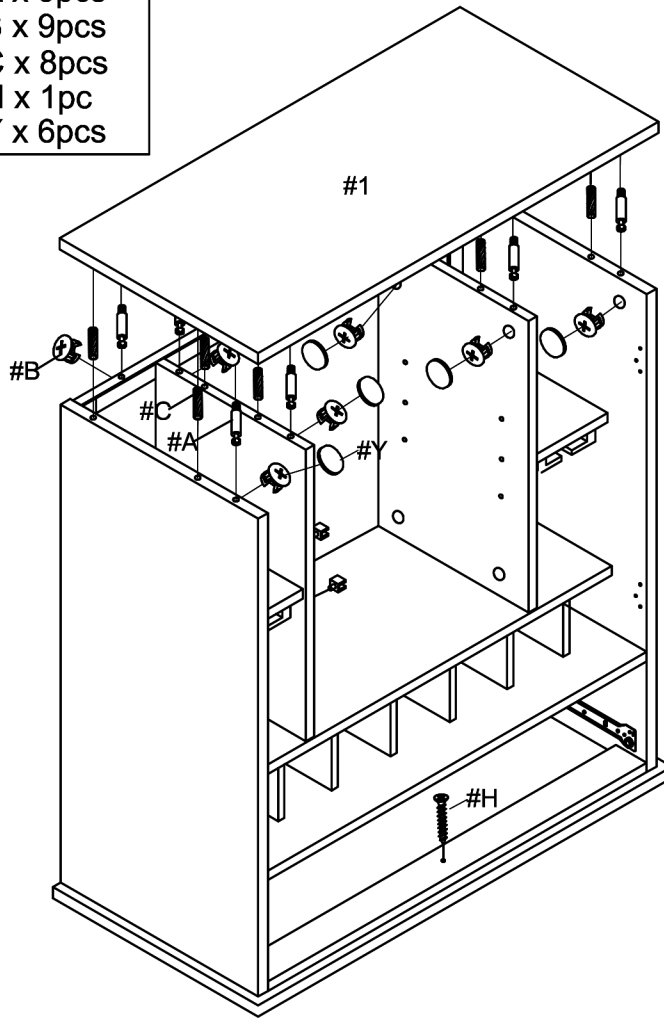
#I x 16pcs



Align the down back panel (#13), then insert the screws (#I). Secure using a screwdriver.



- #A x 9pcs
- #B x 9pcs
- #C x 8pcs
- #H x 1pc
- #Y x 6pcs

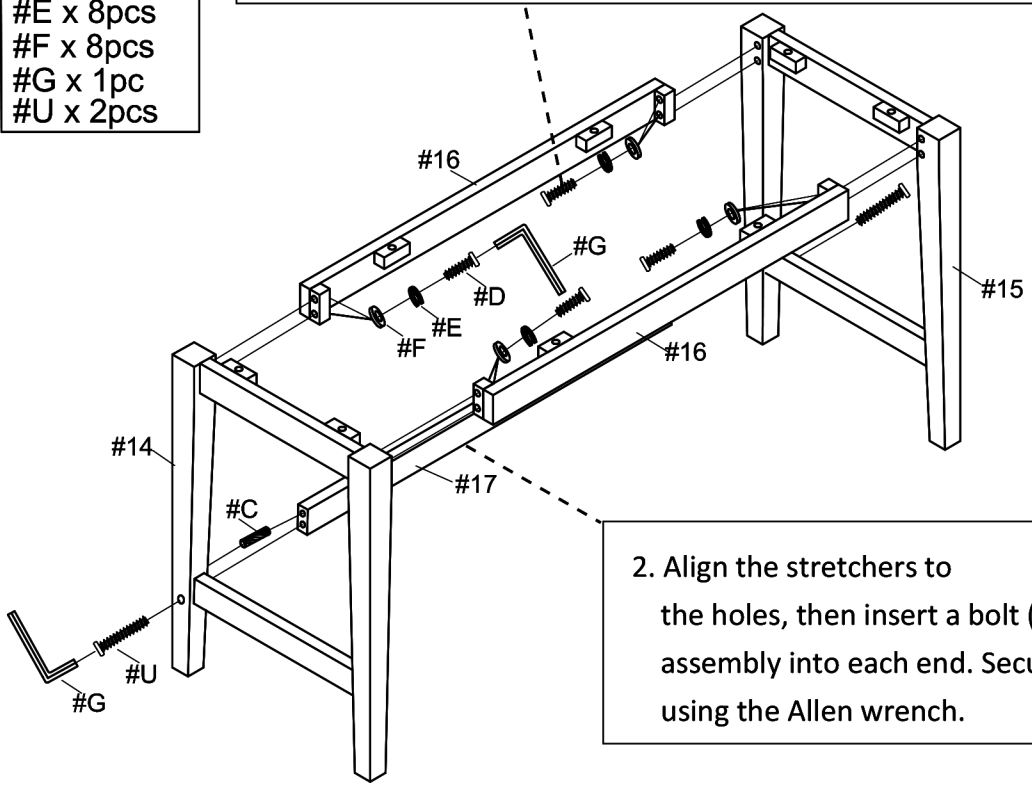


1. Insert the wood dowels (#C) into the holes indicated. Insert the cam bolts (#A) the holes indicated, turn right to tighten.
2. Insert the cam locks (#B) into the holes indicated. Make sure the cam lock opening is aligned with the hole.
3. Insert the dowels (#C) and cam bolts (#A) into the holes and into the cam locks (#B). Secure the cam locks using a screwdriver.



- #C x 2pcs
- #D x 8pcs
- #E x 8pcs
- #F x 8pcs
- #G x 1pc
- #U x 2pcs

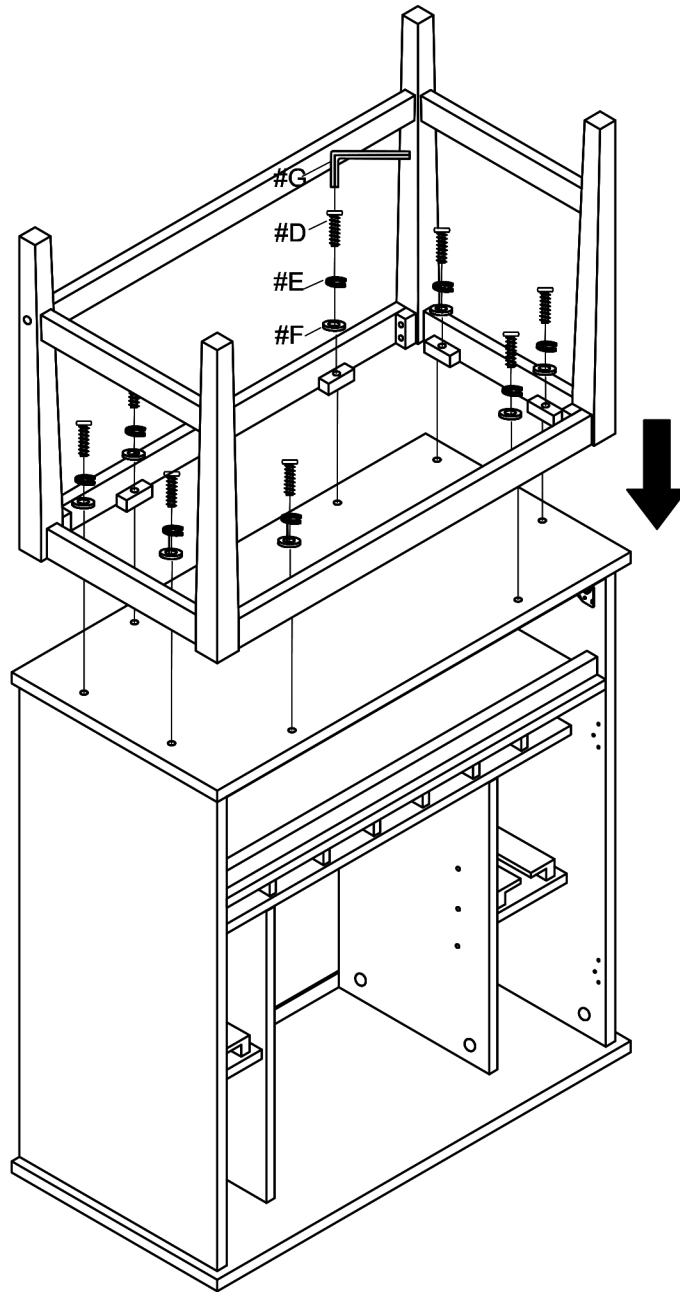
1. Prepare 8 bolt assemblies by first inserting a lock washer (#E) on to the bolt (#D) then a flat washer (#F) onto that same bolt (#D).



2. Align the stretchers to the holes, then insert a bolt (#U) assembly into each end. Secure using the Allen wrench.



#D x 8pcs
#E x 8pcs
#F x 8pcs
#G x 1pc

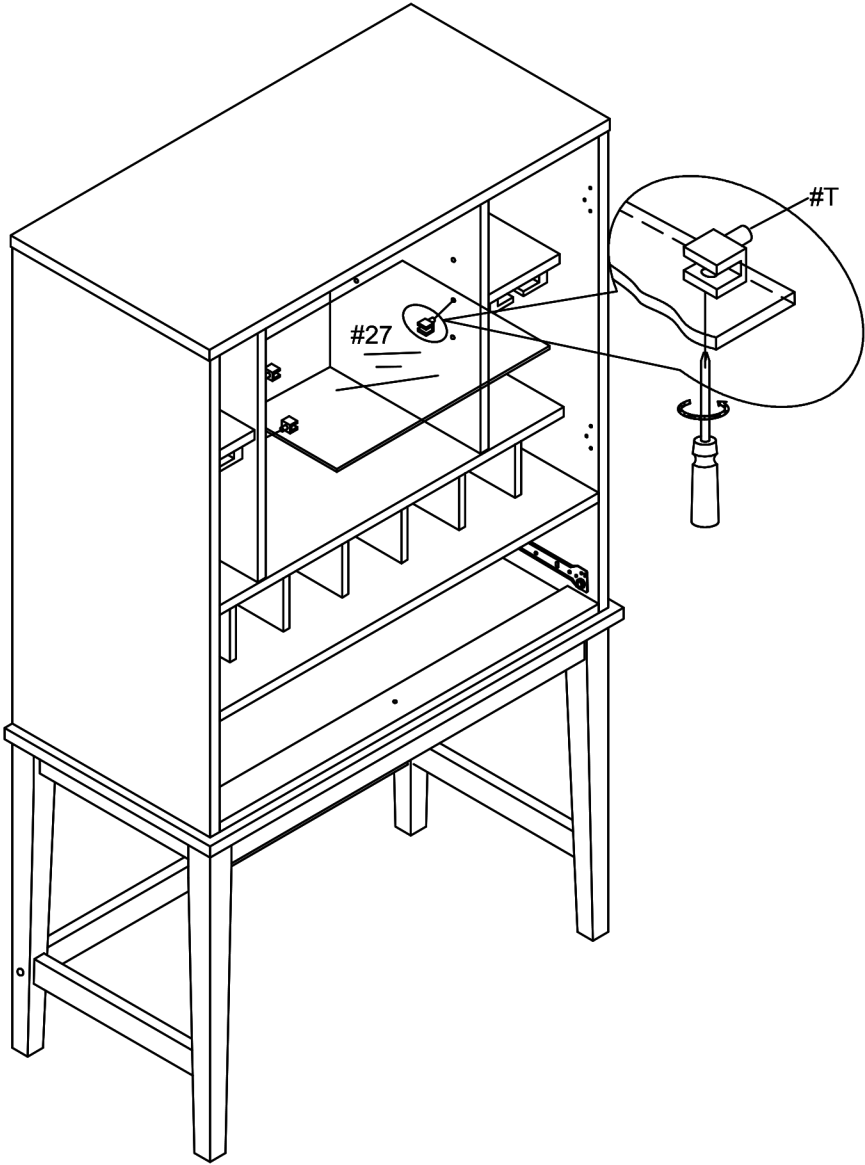


Align the holes then prepare 8 bolt assemblies by first inserting a lock washer (#E) onto the bolt (#D) then a flat washer (#F) onto that same bolt (#D). Insert a bolt assembly into each hole. Secure using the Allen wrench (#G).



#T x 4pcs

Insert pins (#T) into desired shelf position.





#I x 2pcs	#N x 2pcs
#J x 4pcs	#O x 2pcs
#K x 28pcs	#P x 2pcs
#L x 2pcs	#Q x 2pcs
#M x 2pcs	#X x 2pcs

3. Align the magnets (#M) to the holes, then insert 2 screws (#I) into each. Secure using a screwdriver.

4. Insert a bolt (#Q) from within each door, then apply a gasket (#P) onto the other end. Apply the knob (#O) and secure using a screwdriver.

2. Align the magnet plates (#L) to the top corner holes along the doors. Insert a screw (#N) and secure using a screwdriver.

1. Align the hinges (#J) to the holes along the left and right doors, insert screws (#K) into each and secure.

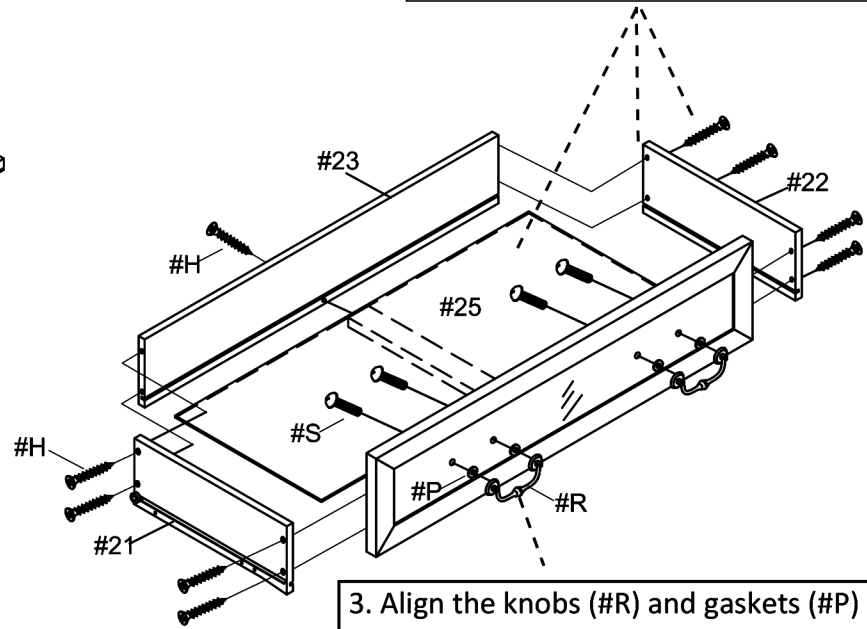
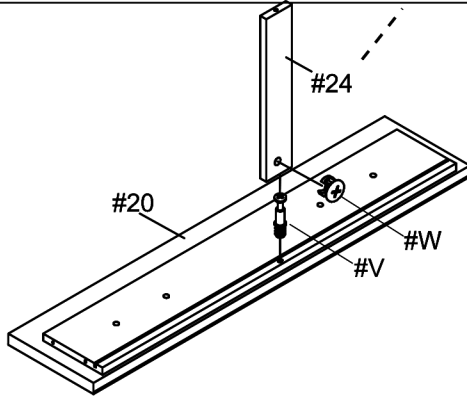
Adjust according to ground level.



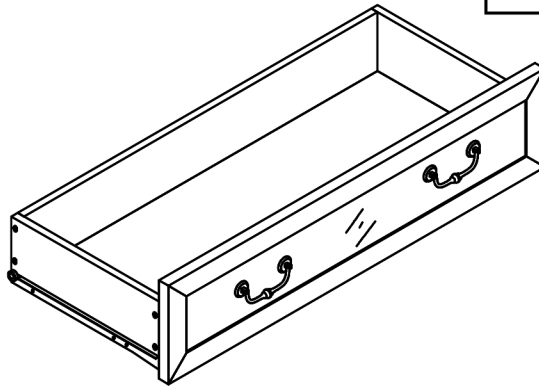
#H x 9pcs
#P x 4pcs
#R x 2pcs
#S x 4pcs
#V x 1pc
#W x 1pc

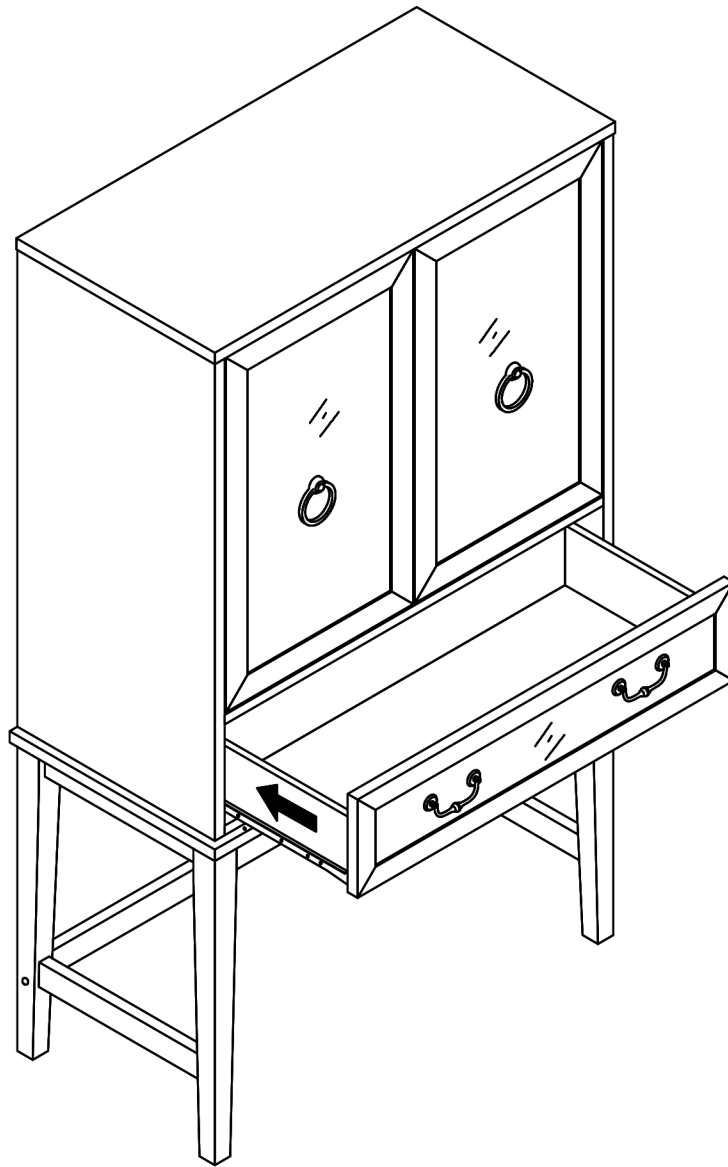
1. Insert cam bolt (#V), turn right to tighten. Insert cam lock (#W) into the drawer cross panel (#24). Then insert (#24) onto the cam bolt, lock the cam lock using a screwdriver.

2. Align the drawer panels and insert the screws (#H) into each end. Make sure to place the drawer bottom panel (#25) into the ridges as you assemble.



3. Align the knobs (#R) and gaskets (#P) to the front panel, then insert the bolts (#S) from within. Secure using a screwdriver.

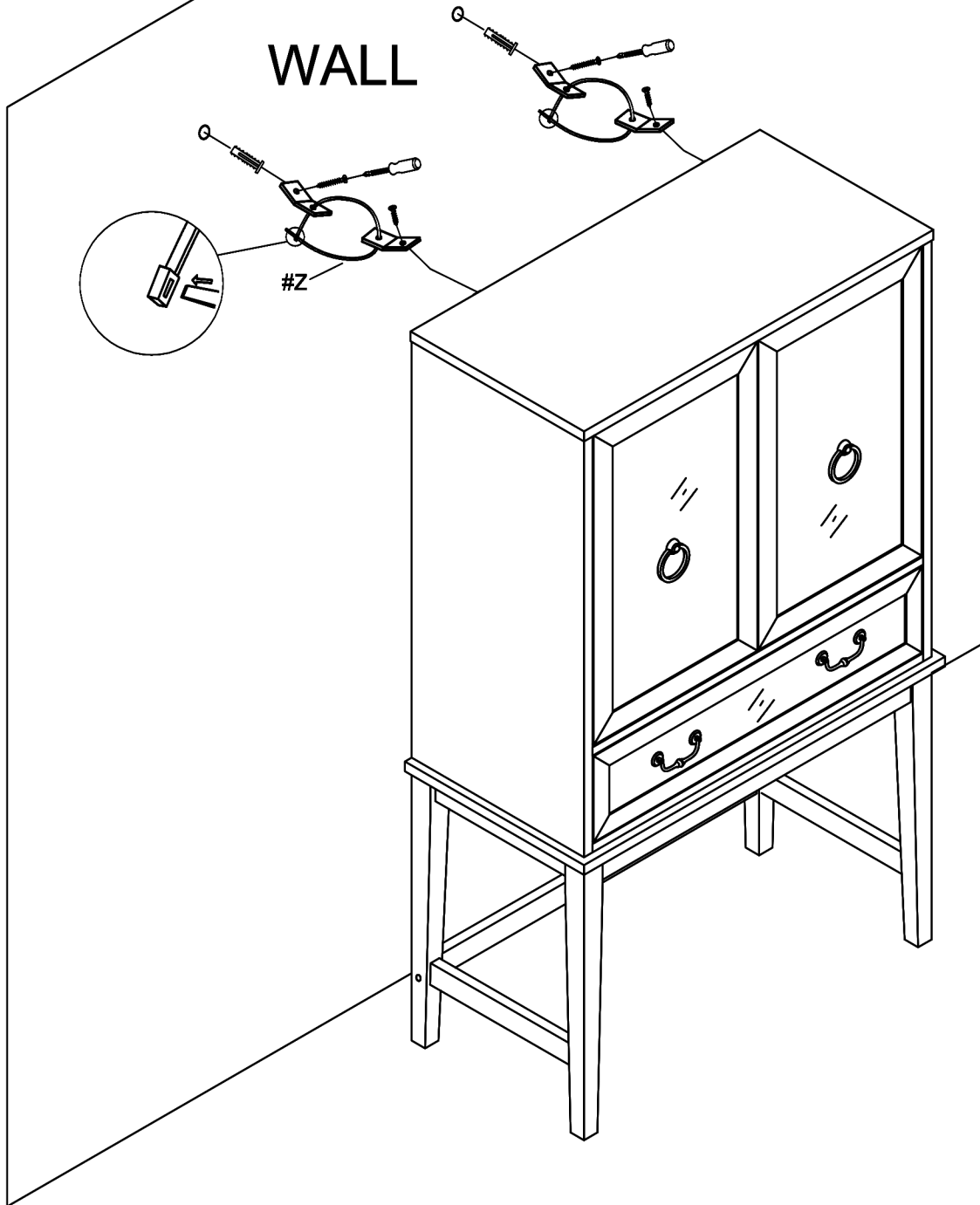




Insert drawer.



#Z x 2pcs



1. Drill a hole along the wall slightly smaller than the plug, then insert the plug until fully secured.
2. Align a bracket to the plug, then insert a long screw and secure. After that align the other bracket to the back of the assembly and insert a small screw. Secure using a screwdriver.
3. Secure the strap accordingly.