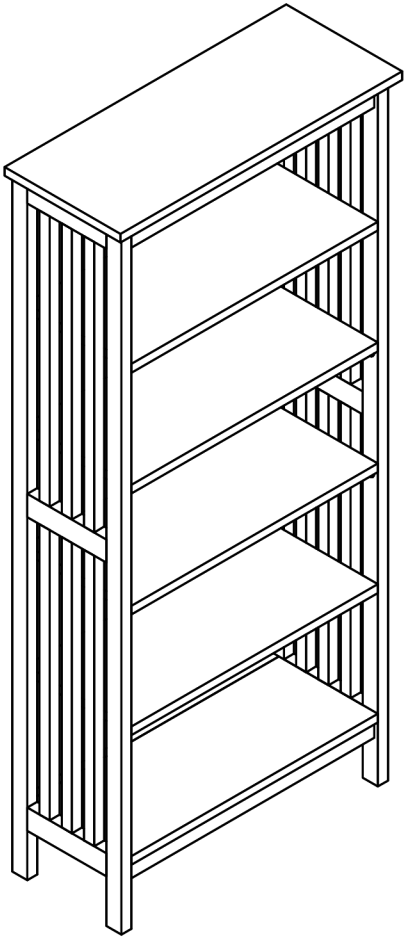


Assembly Instructions

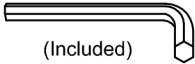


ASSEMBLY RATING

The Assembly Rating is a 5-point system that shows the degree of effort needed in assembling a specific product (with 1 being easy and 5 being difficult). For some products, two persons are recommended.

Tools Required For Assembly:

Allen Wrench



(Included)

Phillips Screwdriver



(Not Included)

EASY



DIFFICULT



2 PERSONS RECOMMENDED

ASSEMBLY & CARE ADVICE

FOR YOUR FURNITURE TO LAST, CORRECT ASSEMBLY AND PROPER MAINTENANCE ARE NECESSARY. PLEASE FOLLOW THE INFORMATION PROVIDED BELOW TO FULLY ENJOY YOUR FURNITURE.

BASIC ASSEMBLY TECHNIQUES



When lock or spring washer is used in an assembly, please make sure the lock or spring washer is placed between the larger flat washer and the head of the screw or bolt.



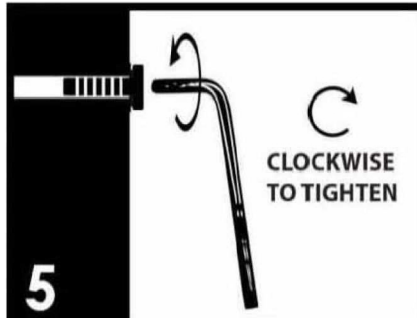
Position each part correctly and insert screws or bolts into their respective holes by hand tighten or using the proper hand tool. Only tighten when step is completed or when instructed to do so.



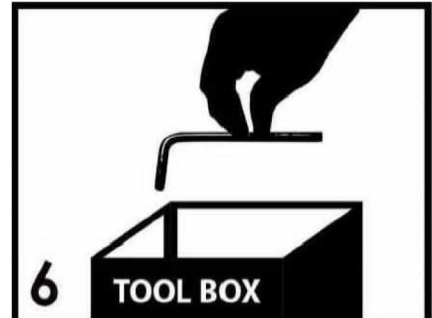
Use cardboard or carpet area when assembling furniture to prevent scratches. Make sure the furniture rests on a flat and level surface with each leg evenly touching the floor. No dragging of products/parts.



Some furniture comes with height adjustment knobs underneath each leg. To lower or to raise each leg, you need to turn clockwise or counterclockwise, respectively.



Make sure all parts are properly aligned, then use the appropriate hand tool to completely tighten the bolts or screws. Do not use power tools and do not overtighten.



Save the instructions and store the Allen wrench or any supplied tool for later maintenance. After two weeks, check and tighten any loose hardware and repeat again every six months thereafter.

IT IS THE USER'S RESPONSIBILITY TO MAINTAIN THE FURNITURE. THE HARDWARE MAY LOOSEN OVER TIME AND MAY CAUSE THE FURNITURE TO BE WOBBLY AND UNABLE TO SUPPORT ITS INTENDED WEIGHT CAPACITY. THIS MAY LEAD TO COLLAPSE AND MAY CAUSE SERIOUS INJURY.



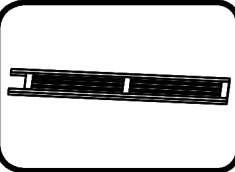
FAILURE TO FOLLOW THE GUIDELINES ABOVE MAY RESULT IN INJURY AND/OR PROPERTY DAMAGE.



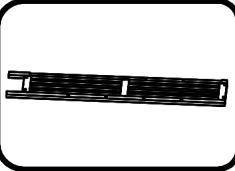
Before you begin, please read Page 2 of "Assembly and Care Advice".

And remember, do not tighten until each step is completed or instructed.

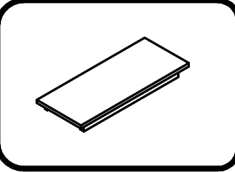
Parts List



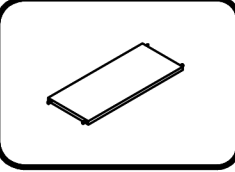
#1 x 1pc
Left side frame



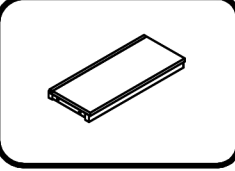
#2 x 1pc
Right side frame



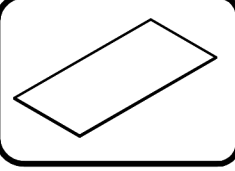
#3 x 1pc
Top



#4 x 4pcs
Support shelf

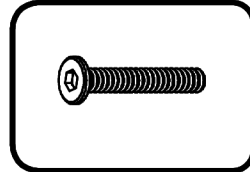


#5 x 1pc
Bottom shelf

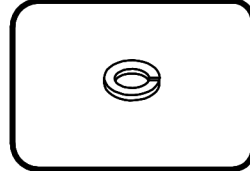


#6 x 1pc
Back panel

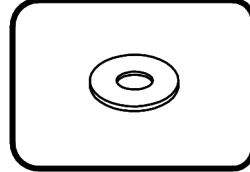
Hardware List



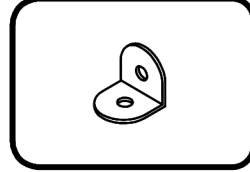
#A x 8pcs
Bolt 1/4"x1-3/8"



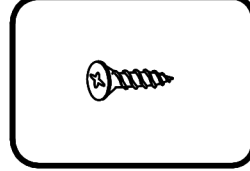
#B x 8pcs
Lock Washer 1/4"x25/64"



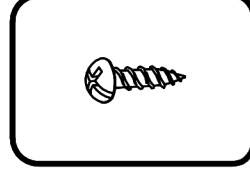
#C x 8pcs
Flat Washer 1/4"x3/4"



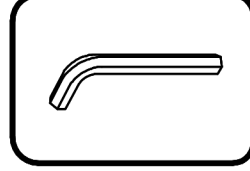
#D x 8pcs
L Bracket 19/32"x19/32"



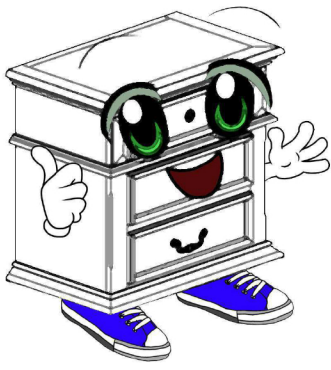
#E x 16pcs
Screw 5/32"x15/32"



#F x 20pcs
Screw 5/32"x19/32"

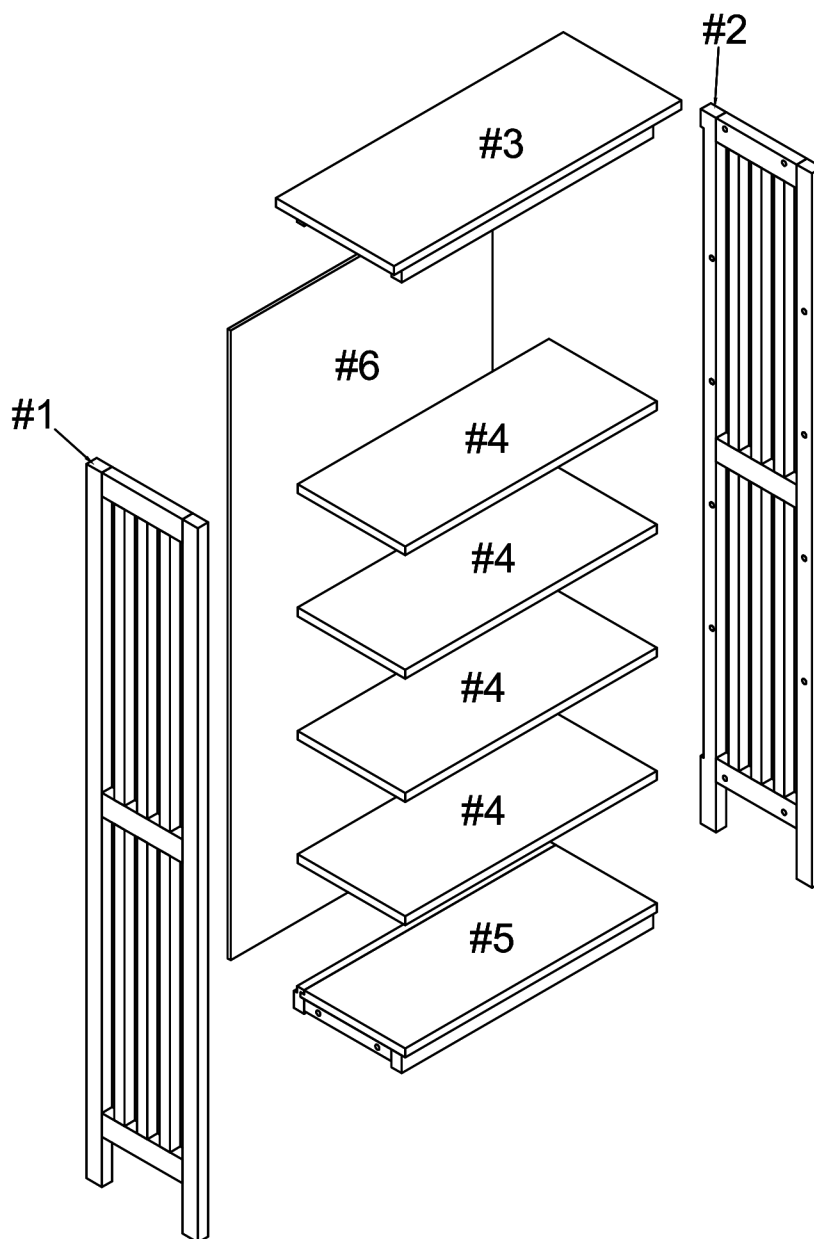


#G x 1pc
Allen Wrench 5/32"



Before you begin, please read Page 2 of "Assembly and Care Advice".

And remember, do not tighten until each step is completed or instructed.

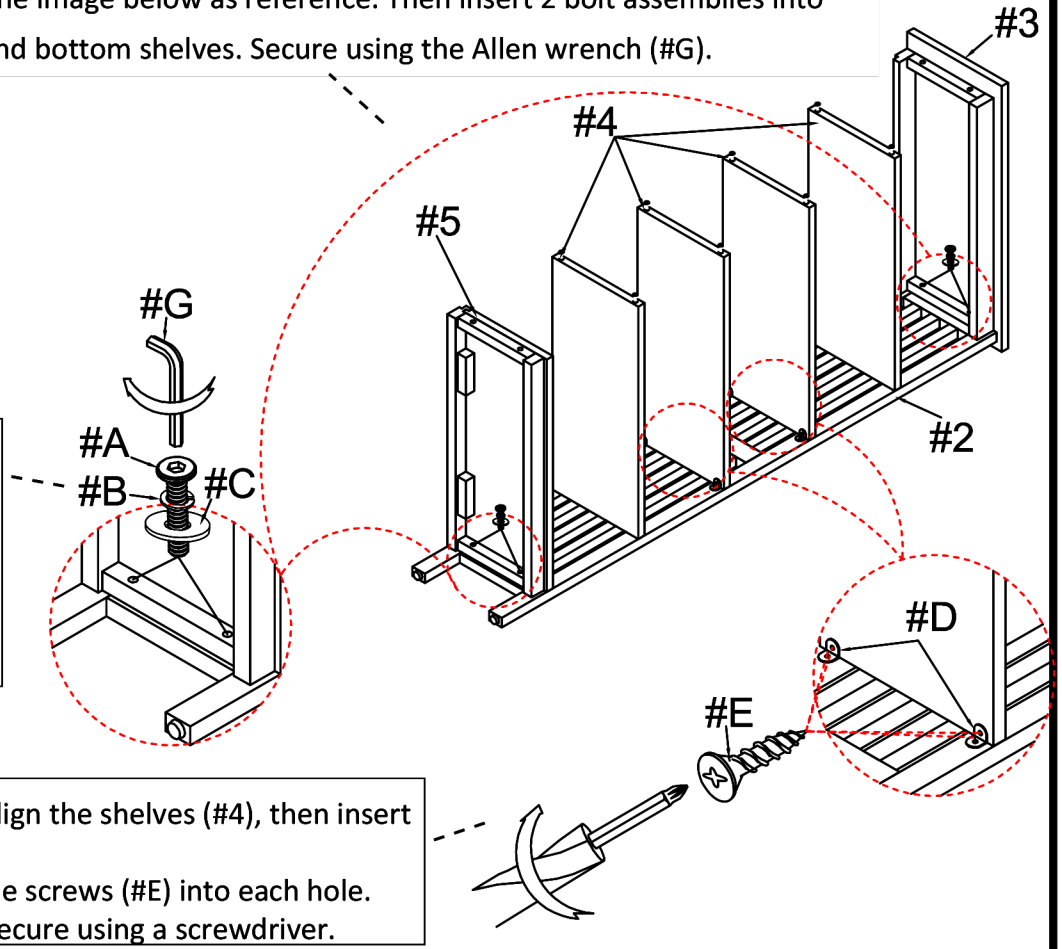




2. Align the top/bottom shelves (#3,5) to the holes along the right frame (#2).
Look at the image below as reference. Then insert 2 bolt assemblies into the top and bottom shelves. Secure using the Allen wrench (#G).

- #A x 4pcs
- #B x 4pcs
- #C x 4pcs
- #D x 4pcs
- #E x 8pcs

1. Prepare 4 bolt assemblies by first inserting a lock washer (#B) onto the bolt (#A) then a flat washer (#C) onto that same bolt (#A).



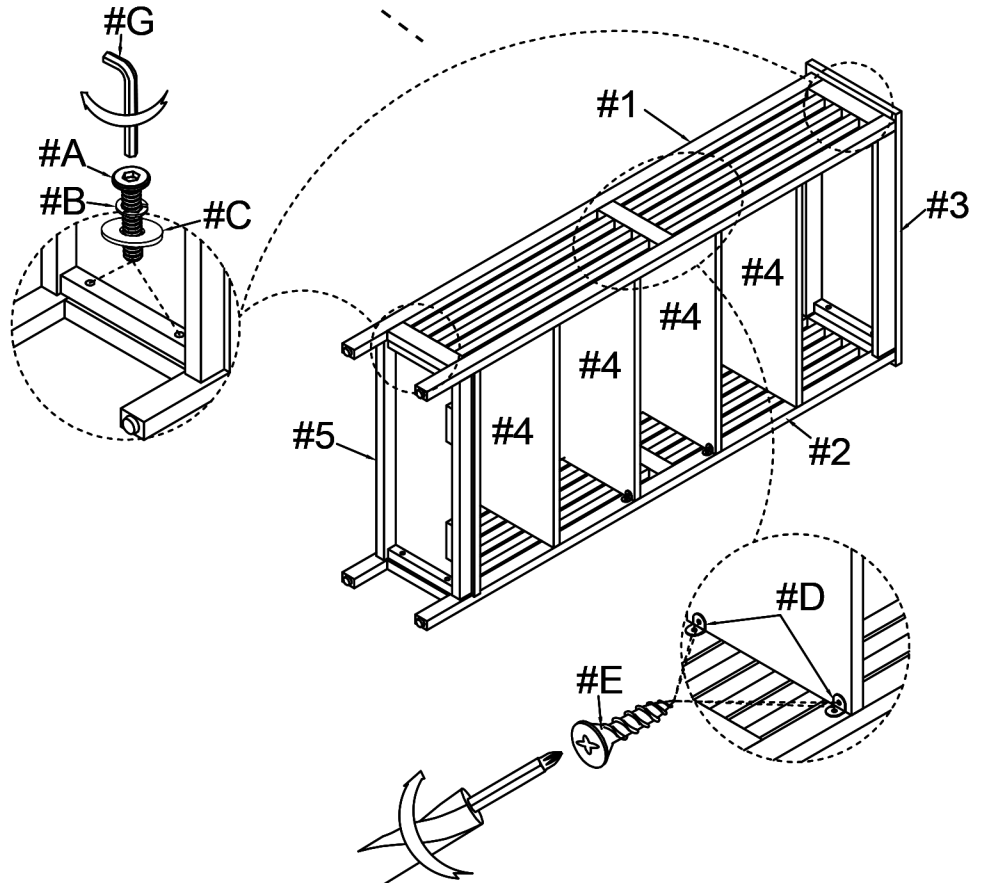
3. Align the shelves (#4), then insert the screws (#E) into each hole. Secure using a screwdriver.



1. Align the other end of the shelves to the holes along the left frame (#1).

- #A x 4pcs
- #B x 4pcs
- #C x 4pcs
- #D x 4pcs
- #E x 8pcs

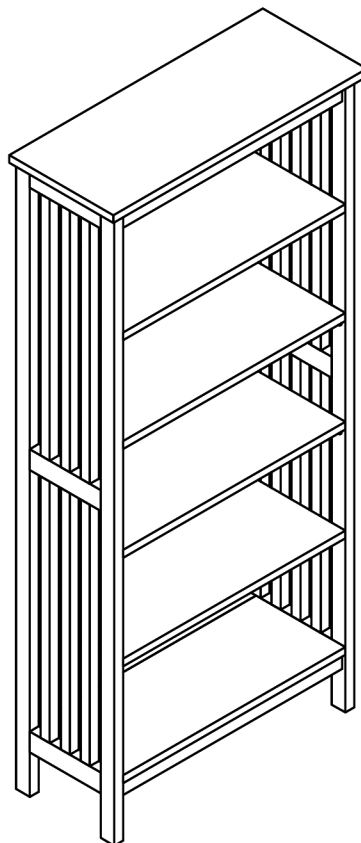
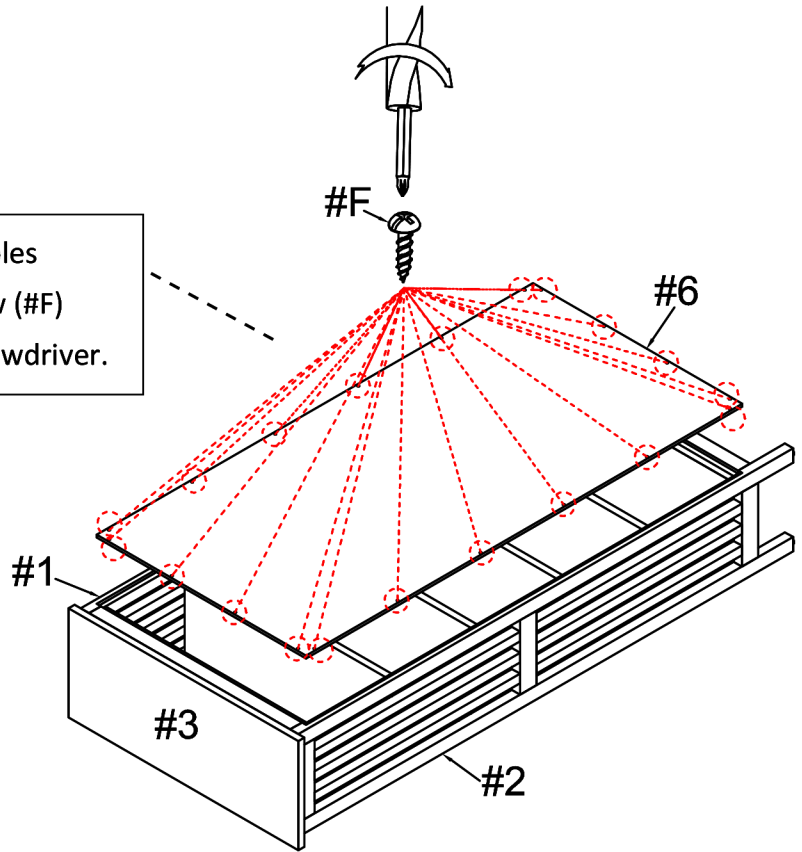
2. Repeat bolt and screw instructions from step #1.





#F x 20pcs

Align the back panel (#6) to the holes along the back, then insert a screw (#F) into each hole. Secure using a screwdriver.



ASSEMBLY IS COMPLETED