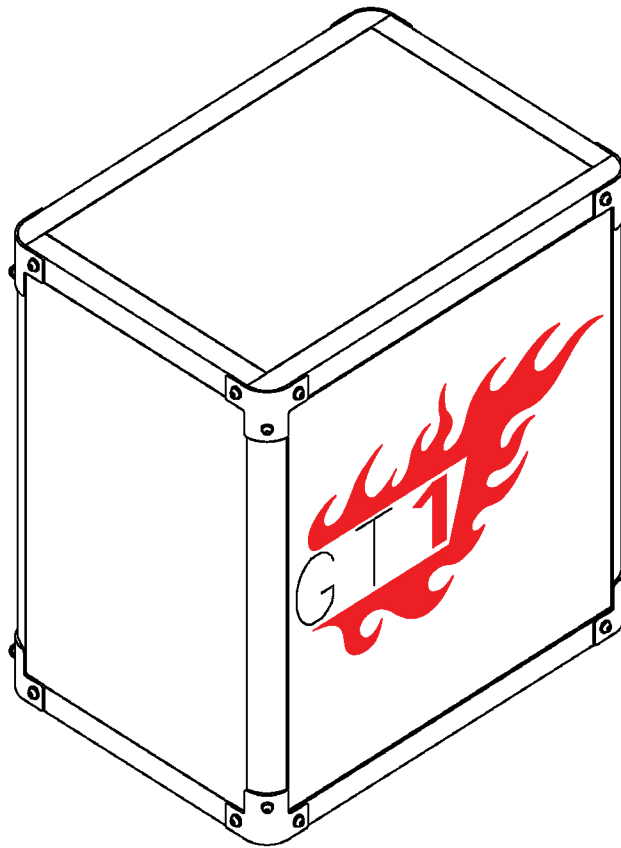


# Assembly Instructions



## ASSEMBLY RATING

The Assembly Rating is a 5-point system that shows the degree of effort needed in assembling a specific product (with 1 being easy and 5 being difficult). For some products, two persons are recommended.

EASY  DIFFICULT

## Tools Required For Assembly:

Allen Wrench



(Included)

Phillips Screwdriver



(Not Included)

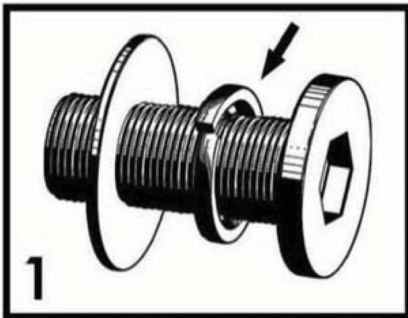


**2 PERSONS RECOMMENDED**

# ASSEMBLY & CARE ADVICE

FOR YOUR FURNITURE TO LAST, CORRECT ASSEMBLY AND PROPER MAINTENANCE ARE NECESSARY. PLEASE FOLLOW THE INFORMATION PROVIDED BELOW TO FULLY ENJOY YOUR FURNITURE.

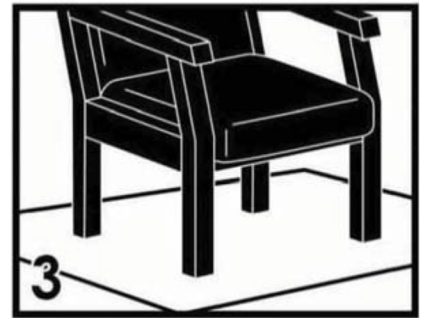
## BASIC ASSEMBLY TECHNIQUES



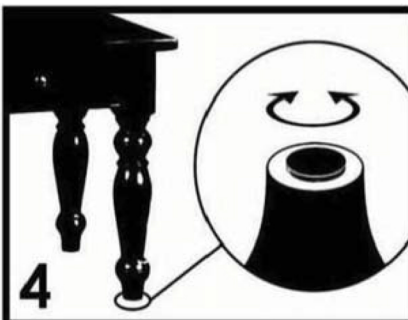
When lock or spring washer is used in an assembly, please make sure the lock or spring washer is placed between the larger flat washer and the head of the screw or bolt.



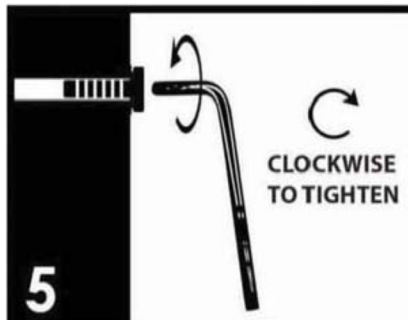
Position each part correctly and insert screws or bolts into their respective holes by hand tighten or using the proper hand tool. Only tighten when step is completed or when instructed to do so.



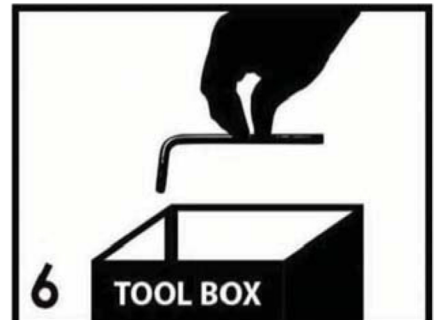
Use cardboard or carpet area when assembling furniture to prevent scratches. Make sure the furniture rests on a flat and level surface with each leg evenly touching the floor.



Some furniture comes with height adjustment knobs underneath each leg. To lower or to raise each leg, you need to turn clockwise or counterclockwise, respectively.



Make sure all parts are properly aligned, then use the appropriate hand tool to completely tighten the bolts or screws. Do not use power tools and do not overtighten.

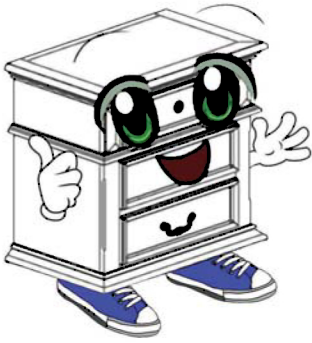


Save the instructions and store the Allen wrench or any supplied tool for later maintenance. After two weeks, check and tighten any loose hardware and repeat again every six months thereafter.

IT IS THE USER'S RESPONSIBILITY TO MAINTAIN THE FURNITURE. THE HARDWARE MAY LOOSEN OVER TIME AND MAY CAUSE THE FURNITURE TO BE WOBBLY AND UNABLE TO SUPPORT ITS INTENDED WEIGHT CAPACITY. THIS MAY LEAD TO COLLAPSE AND MAY CAUSE SERIOUS INJURY.




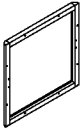
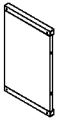
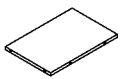
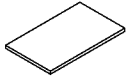

**FAILURE TO FOLLOW THE GUIDELINES ABOVE MAY RESULT IN INJURY AND/OR PROPERTY DAMAGE.**








Before you begin, please read Page 2 of "Assembly and Care Advice".

And remember, do not tighten until each step is completed or instructed.

### Parts List

-  #1 x 1pc  
Door
-  #2 x 1pc  
Rear Panel
-  #3 x 2pcs  
Side Panel
-  #4 x 2pcs  
Top / Bottom Panel
-  #5 x 1pc  
Shelf
-  #6 x 8pcs  
Corner protection

### Hardware List

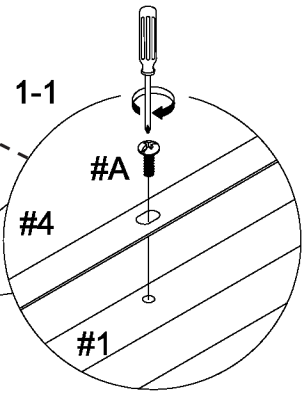
-  #A x 24pcs  
Screw M5x10MM
-  #B x 24pcs  
Bolt 1/4" X 1/2"
-  #C x 4pcs  
Shelf Support
-  #D x 4pcs  
Adjust
-  #E x 1pc  
Allen Wrench



#1

#A x 4pcs  
#C x 2pcs

1. Place the door (#1) face down onto a protected surface, then align the top/bottom panels (#4) to the holes along the sides. Insert a screw (#A) into each hole and secure using a Phillips screwdriver.

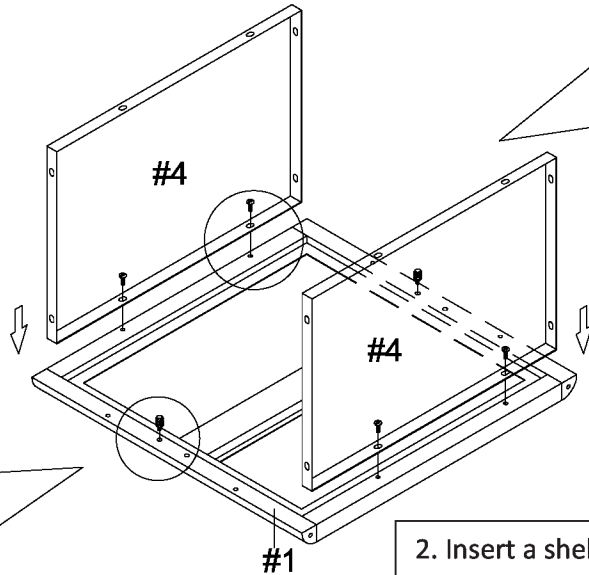


1-1

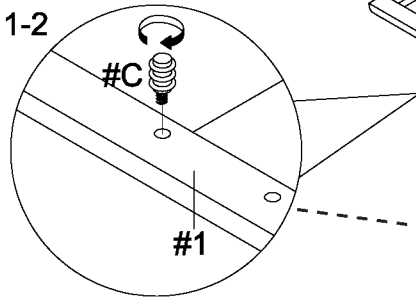
#A

#4

#1



1-2



#C

#1

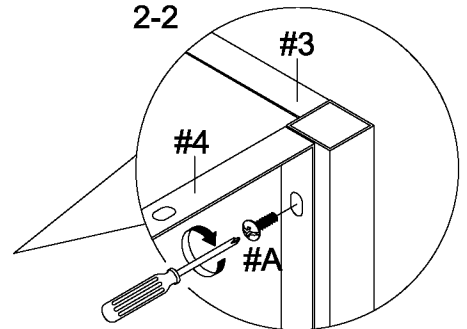
2. Insert a shelf support (#C) into the top and bottom center holes along the door (#1)



#2

#A x 12pcs

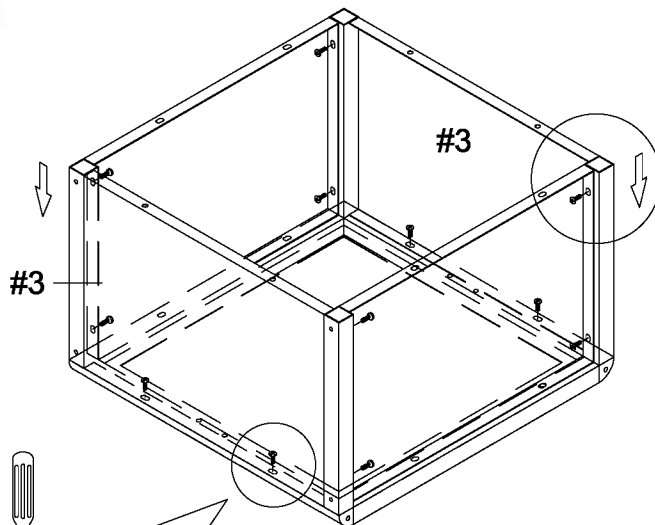
2-2



#3

#4

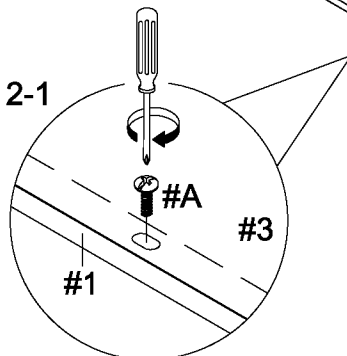
#A



#3

#3

2-1



#A

#3

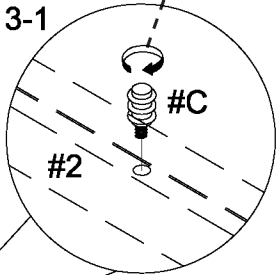
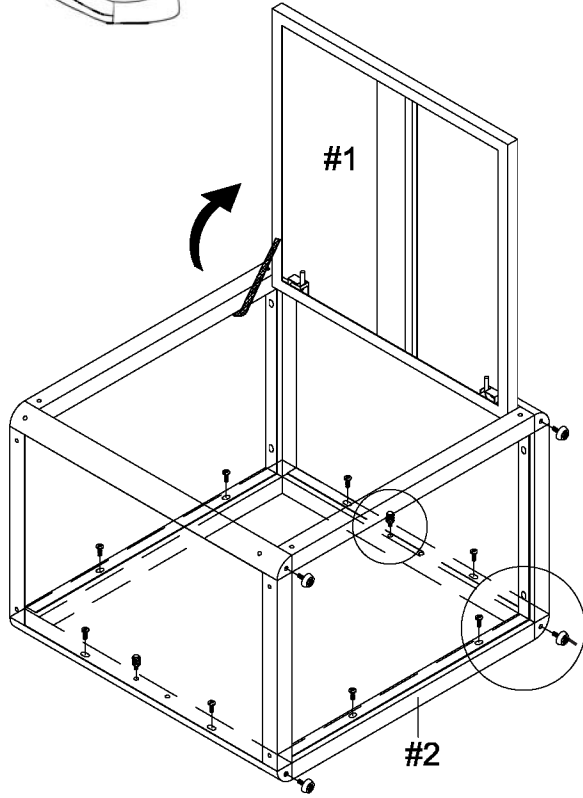
#1

Align the side panels (#3) to the holes along the sides of the panels (#4). Insert a screw (#A) into each hole and secure using a Phillips screwdriver.

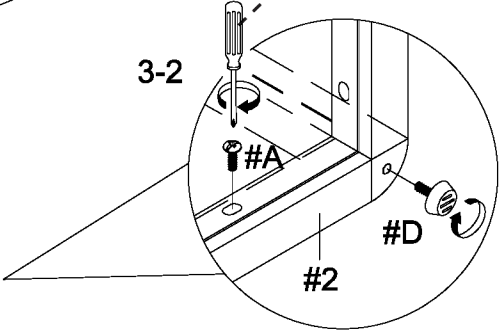


#A x 8pcs  
#C x 2pcs  
#D x 4pcs

1. Turn the night stand face up, then open the door (#1) and insert 2 shelf supports (#C) into the center holes along the sides.



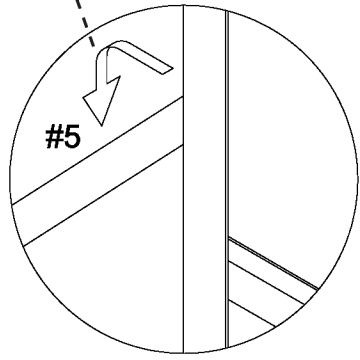
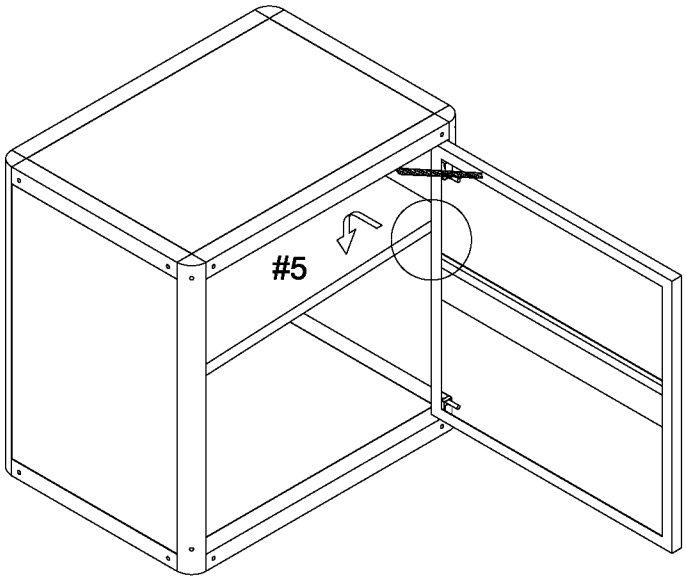
2. Insert the screws (#A) into the holes within the night stand. Secure using a screwdriver.



3. Insert the threaded ends of the adjusters (#D) into the holes located at the bottom of the night stand, then turn right to tighten.



Turn the night stand upright, then place the shelf (#5) onto the shelf supports.

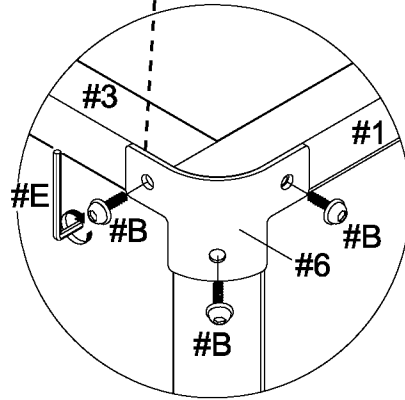
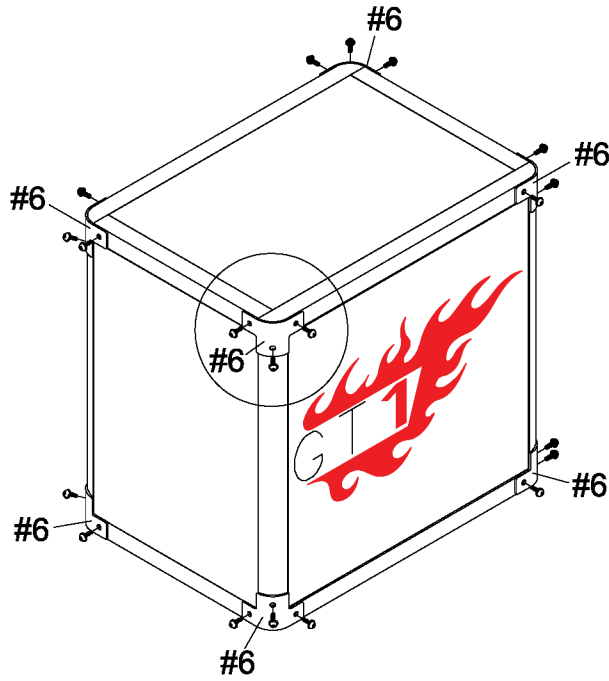




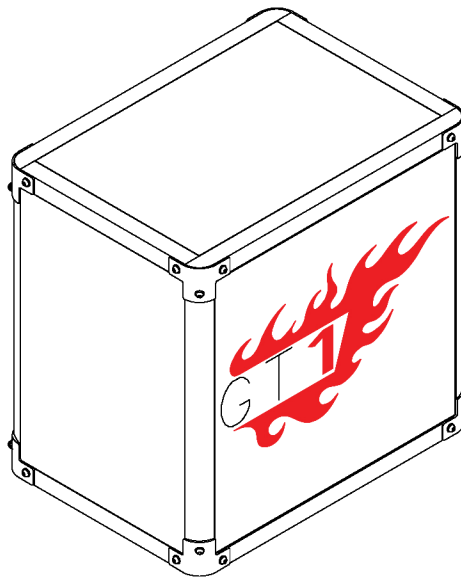
#5

Align a corner protections (#6) to each corner, then insert 3 bolts (#B) into each corner and secure using the Allen wrench (#E).

#B x 24pcs



#6



ASSEMBLY IS COMPLETED