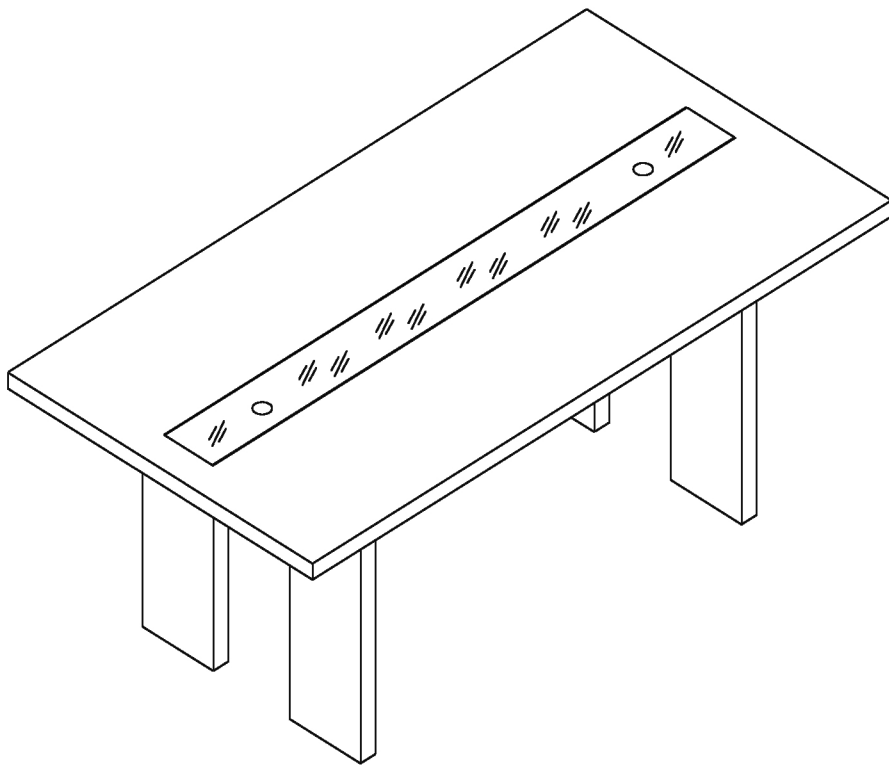


ASSEMBLY INSTRUCTIONS



TOOLS REQUIRED



Allen Wrench

(Included)



**Phillips
Screwdriver**

(Not Included)



**2 - Persons
Recommended**

ASSEMBLY RATING



EASY —————> DIFFICULT

The Assembly Rating is a 5-point system showing the level of effort needed to assemble a specific product.



CHECK BEFORE STARTING

Are you missing anything?

Double-check all parts, hardware and accessories listed on Page 6 are accounted for.

Check out our Quick Tips!

We recommend reviewing the pre-assembly handouts. Even experts need a refresher now and then!

Should we send any replacements?

Are there any irregularities or flaws in the parts? We can send replacements!

Prep Time!

Please review the assembly instructions and all diagrams prior to assembling. Set up your workspace by laying the parts and hardware out separately, then begin!

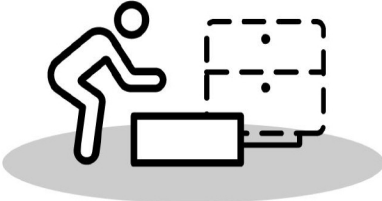
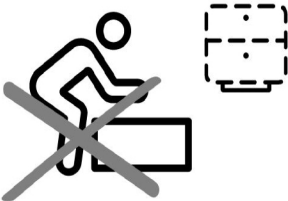
PRE ASSEMBLY INTRODUCTION

We understand building ready-to-assemble furniture can be a challenging experience for some. To help avoid confusion, we have provided some helpful tips that may speed up the process.



Teamwork

ALWAYS have at least two people to help with transporting and assembling the product to avoid potential injury and/or damage.



Suitable Location

Assembling near the area of the intended location is highly recommended.



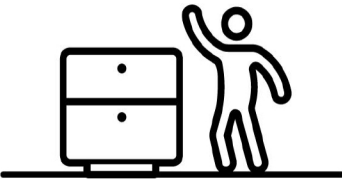
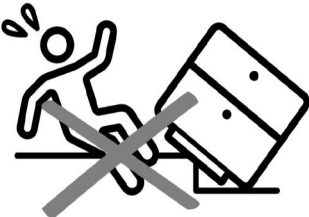
Sufficient Space

Make sure you have enough space to move around during the assembly.



Avoid Scratches

Use cardboard, blankets or a carpeted area while assembling furniture to prevent scratches.



Flat Surface

Make sure the furniture rests on a flat and level surface with each leg evenly touching the floor.

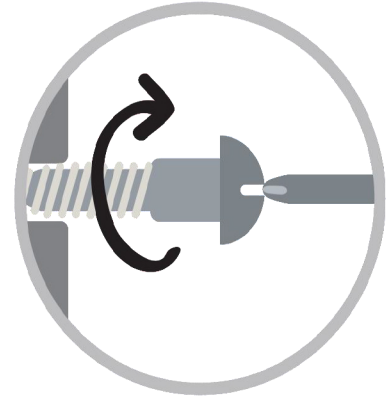
ASSEMBLY AND CARE ADVICE



FAILURE TO FOLLOW THE GUIDELINES BELOW MAY RESULT IN INJURY AND/OR PROPERTY DAMAGE.



Position each part correctly and insert screws or bolts into their respective holes.



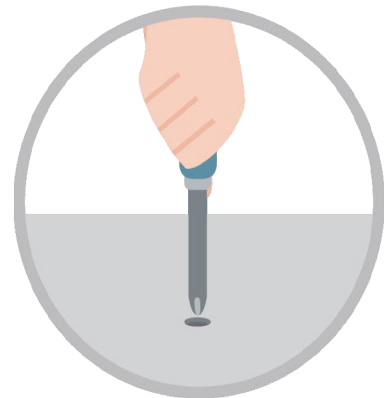
Turn clockwise to tighten and only tighten when step is completed or when instructed to do so.



Use the appropriate hand tools or power tools for assembly. Select steps, such as tightening screws and/or bolts, may require hand tools to avoid causing damage during assembly.



Save the instructions and store any supplied tools for later maintenance.



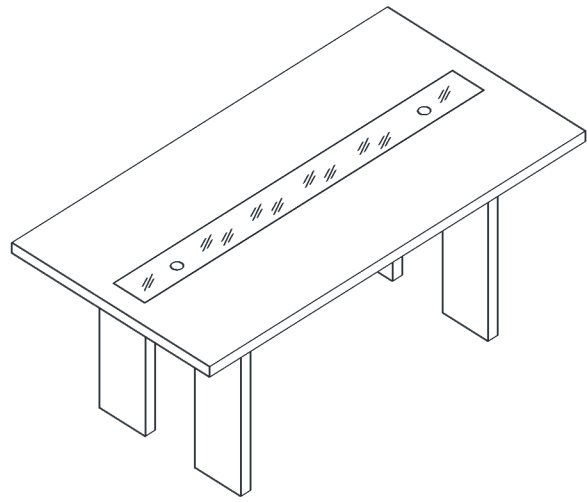
After two weeks, check and tighten any loose hardware and repeat again every six months thereafter.

IT IS THE USER'S RESPONSIBILITY TO MAINTAIN THE FURNITURE. THE HARDWARE MAY LOOSEN OVER TIME AND MAY CAUSE THE FURNITURE TO BE WOBBLY AND UNABLE TO SUPPORT ITS INTENDED WEIGHT CAPACITY. THIS MAY LEAD TO COLLAPSE AND MAY CAUSE SERIOUS INJURY.

DINING TABLE



- Please keep instructions for future reference.
- Check the quantity and irregularity of parts and hardware before you start.



PARTS

#1 1pc

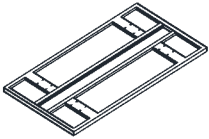
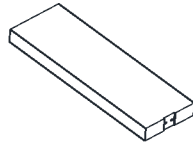


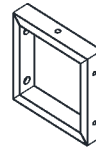
Table Top

#2 4pcs



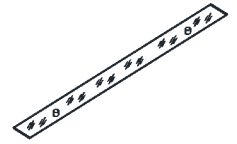
Leg

#3 2pcs



Leg Support Frame

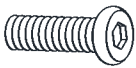
#4 1pc



Glass Strip

HARDWARE

#A 16pcs



Bolt \varnothing 5/16" x 7/8"

#B 16pcs



Bolt \varnothing 5/16" x 7/8"

#C 10pcs



Bolt \varnothing 5/16" x 1-1/4"

#D 16pcs



Flat Washer \varnothing 5/16" x19mm

#E 10pcs



Flat Washer \varnothing 5/16" x16mm

#F 26pcs



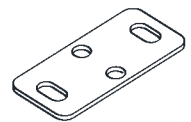
Lock Washer \varnothing 5/16"

#G 1pc



Allen Wrench

#H 8pcs



Bracket

#I 8pcs



Cover

ASSEMBLY INSTRUCTIONS

1

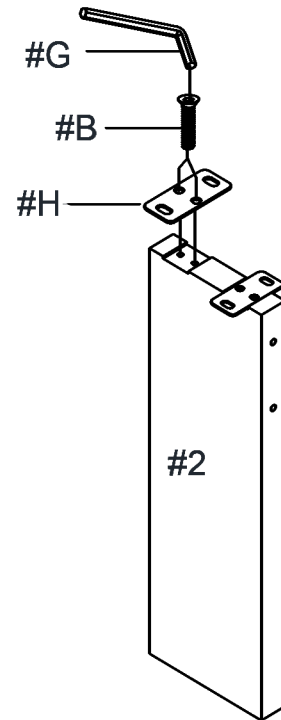
Part #2 x4pcs

Hardware #B x16pcs

Hardware #H x8pcs

Turn right (clockwise) to tighten

- I. Align the two brackets (#H) with the pre-drilled holes of the leg (#2).
- II. Secure the brackets (#H) using the Allen wrench (#G) to tighten the 4 bolts (#B) to lock them with the leg (#2).
- III. Repeat the process above for the remaining 3 legs.



X 4

2

Part #1 x1pc

Part #2 x2pcs

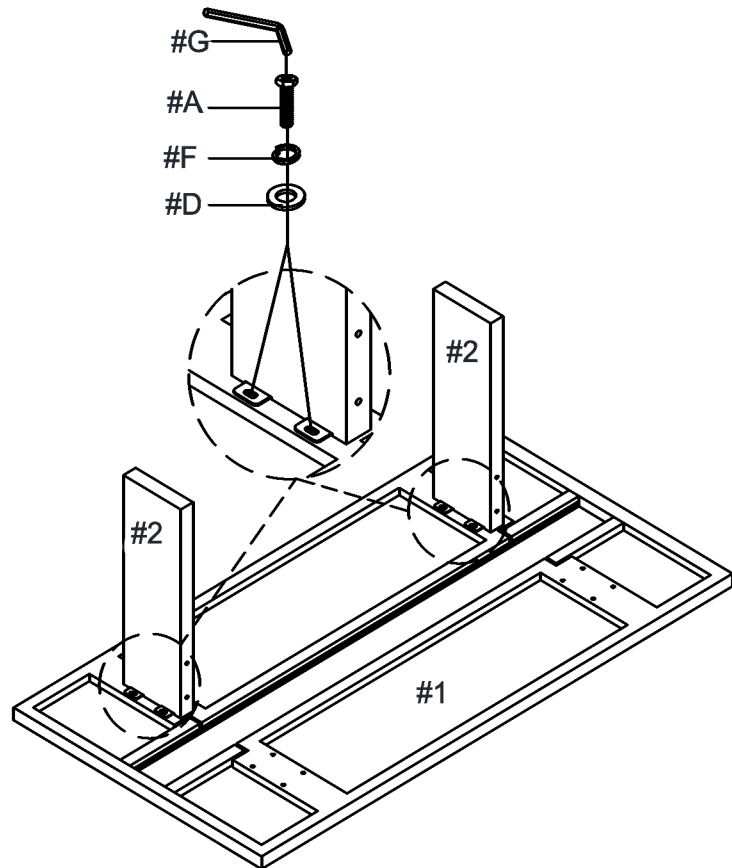
Hardware #A x8pcs

Hardware #D x8pcs

Hardware #F x8pcs

Turn right (clockwise) to tighten

- I. With the help of another person, carefully place the table top (#1) facing down on a protective surface. Align the brackets (#H) assembled onto the two legs (#2) with the pre-drilled holes on the table top (#1).
- II. Prepare 8 bolt assemblies by inserting FIRST the lock washer (#F) onto the bolt (#A) and then the flat washer (#D) onto the SAME bolt (#A), in that order.
- III. Insert the bolt assemblies through the holes of the brackets (#H) and secure those bolts using the Allen wrench (#G) to lock them with the table top (#1).

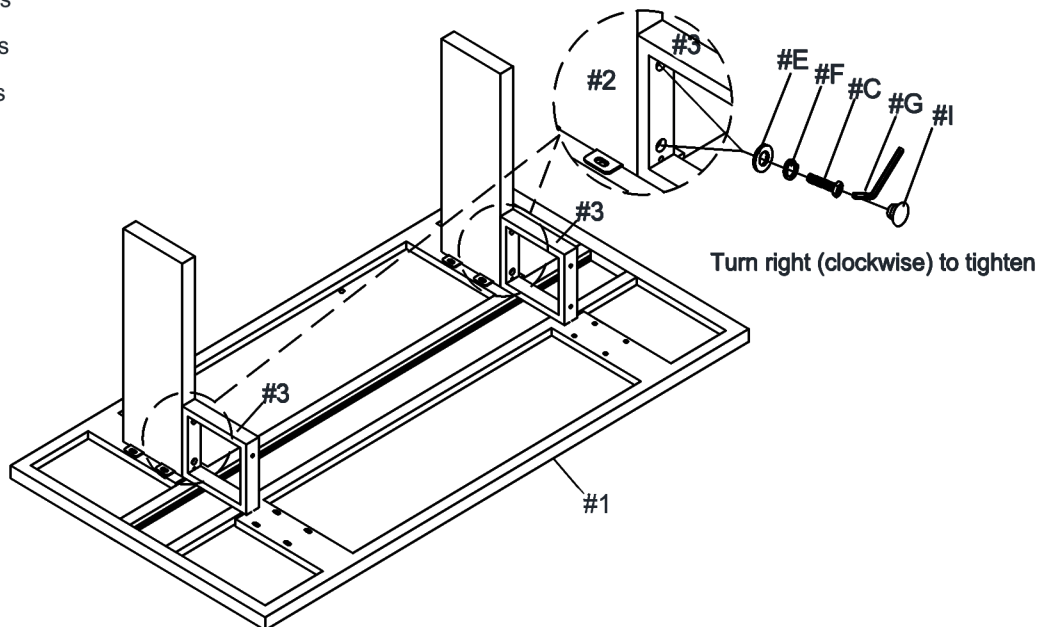


ASSEMBLY INSTRUCTIONS

3

- Part #3 x2pcs
- Hardware #C x4pcs
- Hardware #E x4pcs
- Hardware #F x4pcs
- Hardware #I x4pcs

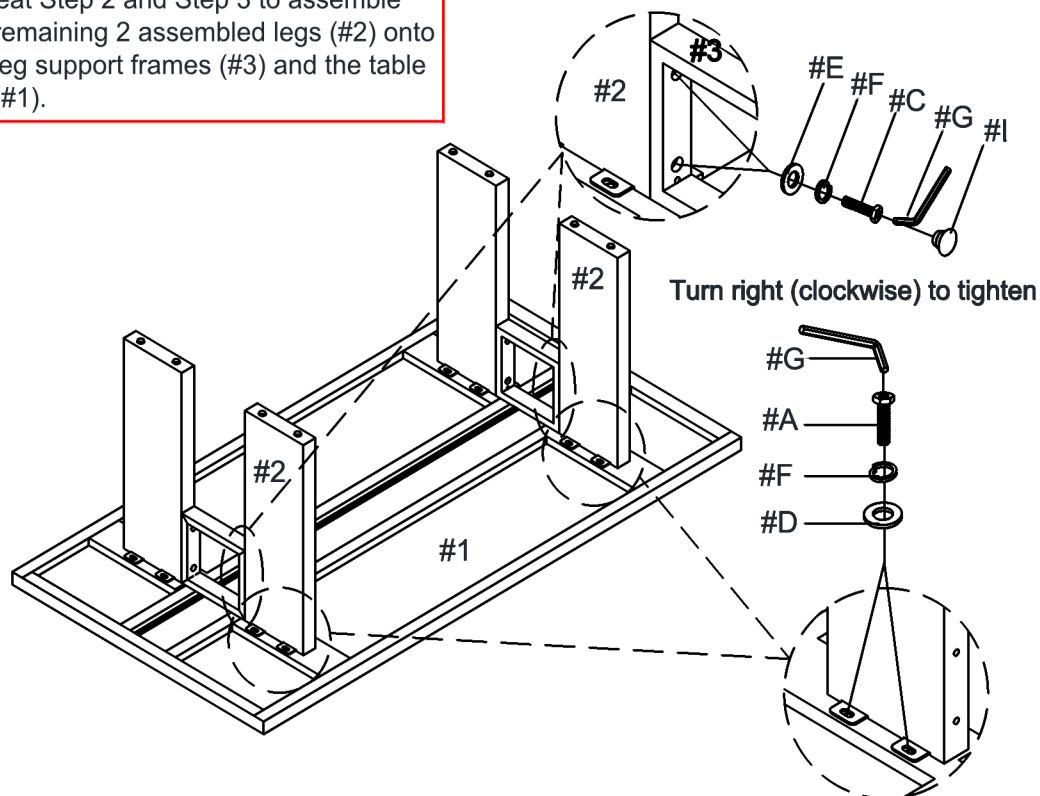
- I. Align the two leg support frames (#3) with the two pre-drilled holes of the two legs (#2).
- II. Prepare 4 bolt assemblies by inserting FIRST the lock washer (#F) onto the bolt (#C) and then the flat washer (#E) onto the SAME bolt (#C), in that order.
- III. Insert the bolt assemblies through the pre-drilled holes of the leg support frames (#3) and secure those bolt using the Allen wrench (#G) to lock them with the two legs (#2). Once tighten, place the covers (#I) over the bolts (#C).



4

- Part #2 x2pcs
- Hardware #A x8pcs
- Hardware #C x4pcs
- Hardware #D x8pcs
- Hardware #E x4pcs
- Hardware #F x12pcs
- Hardware #I x4pcs

Repeat Step 2 and Step 3 to assemble the remaining 2 assembled legs (#2) onto the leg support frames (#3) and the table top (#1).



ASSEMBLY INSTRUCTIONS

5

Part #4 x1pc

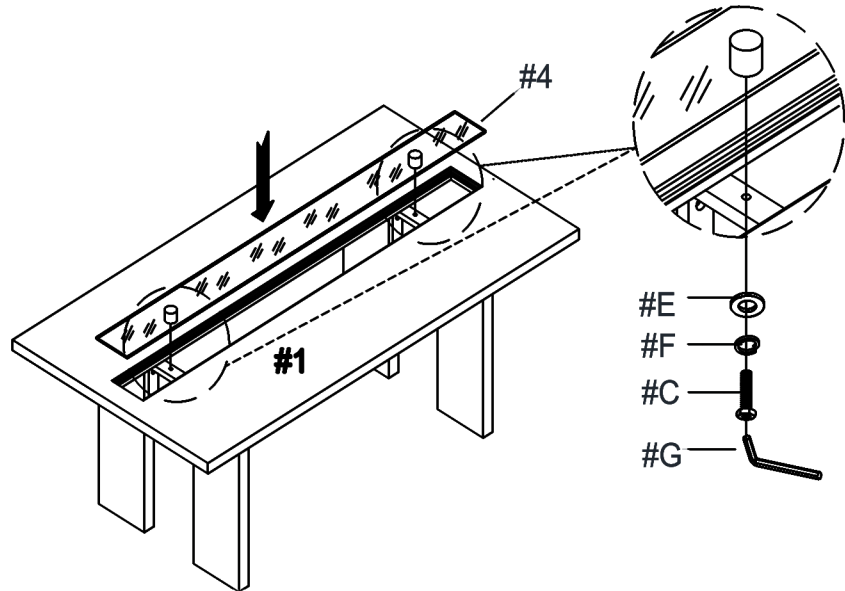
Hardware #C x2pcs

Hardware #E x2pcs

Hardware #F x2pcs

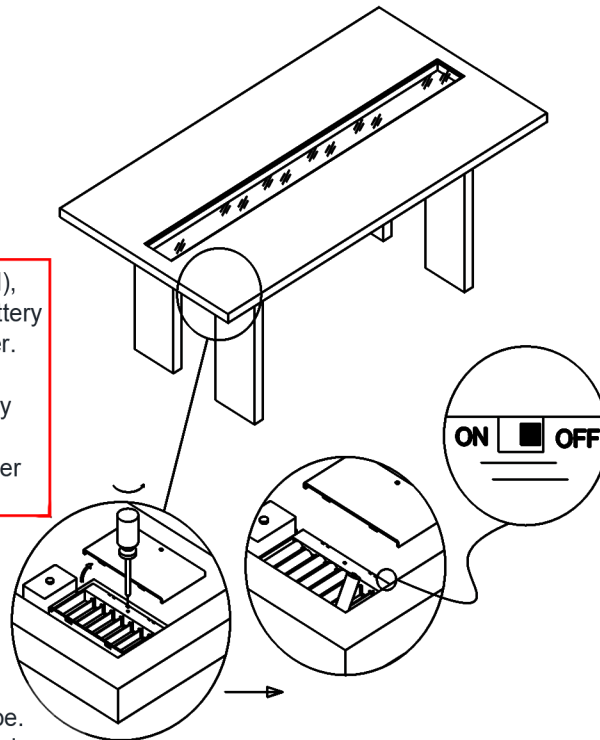
- I. With the help of another person, carefully place the table upright.
- II. Align the glass strip (#4) with the pre-drilled holes of the table top (#1).
- III. Prepare two bolt assemblies by inserting FIRST the lock washer (#F) onto the bolt (#C) and then the flat washer (#E) onto the SAME bolt (#C), in that order.
- IV. Insert the bolt assemblies through the pre-drilled holes under the table top (#1) and secure those bolt using the Allen wrench (#G) to lock them with the glass strip (#4).

Make sure the table is rested on a flat surface and does not feel loose or wobbly. If it does, double check that the bolts/screws are secured and properly tightened.



6

To install the batteries (not included), remove the screw that holds the battery cover by using a Phillips screwdriver. Install new AA-size 1.5-volt alkaline batteries with correct polarity (+, -) by following the illustration inside the battery cover. Close the battery cover and tighten back the screw.



Caution:

- * Use batteries of the same type.
- * Do not mix old and new batteries.
- * Do not mix alkaline, standard (carbon-zinc), or rechargeable (nickel-cadmium) batteries.
- * Do not use rechargeable batteries.
- * Do not try to recharge non-rechargeable batteries.
- * Remove exhausted or corroded batteries.
- * If light is not used for more than a week, remove the batteries to prevent depletion and corrosion.

ASSEMBLY COMPLETED

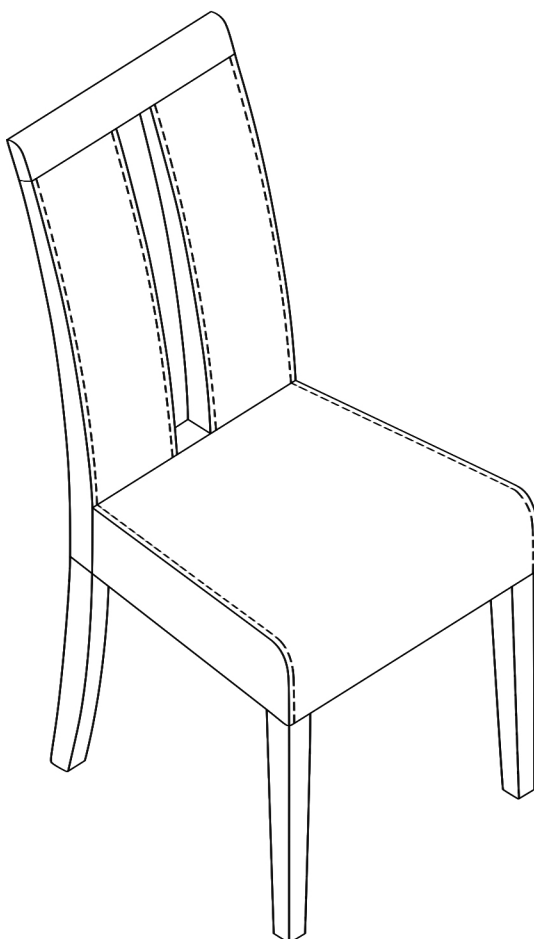
Please ensure the furniture rests on an even and flat surface. If the product wobbles or feels loose, double-check all bolts and/or screws are properly tightened and secured.



Keep this handy!

Please retain this instruction manual and any order-related information for future reference.

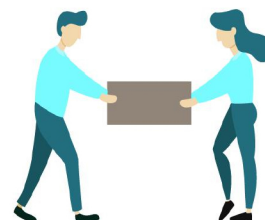
ASSEMBLY INSTRUCTIONS



TOOLS REQUIRED



Allen Wrench
(Included)



**2 - Persons
Recommended**

ASSEMBLY RATING



EASY —————> DIFFICULT

The Assembly Rating is a 5-point system showing the level of effort needed to assemble a specific product.



CHECK BEFORE STARTING

Are you missing anything?

Double-check all parts, hardware and accessories listed on Page 6 are accounted for.

Check out our Quick Tips!

We recommend reviewing the pre-assembly handouts. Even experts need a refresher now and then!

Should we send any replacements?

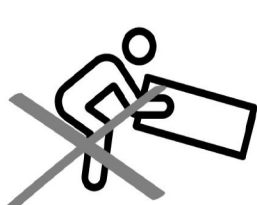
Are there any irregularities or flaws in the parts? We can send replacements!

Prep Time!

Please review the assembly instructions and all diagrams prior to assembling. Set up your workspace by laying the parts and hardware out separately, then begin!

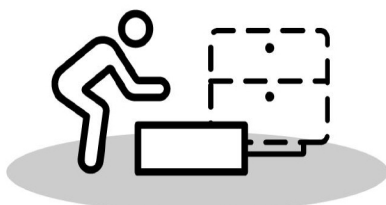
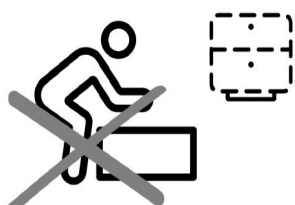
PRE ASSEMBLY INTRODUCTION

We understand building ready-to-assemble furniture can be a challenging experience for some. To help avoid confusion, we have provided some helpful tips that may speed up the process.



Teamwork

ALWAYS have at least two people to help with transporting and assembling the product to avoid potential injury and/or damage.



Suitable Location

Assembling near the area of the intended location is highly recommended.



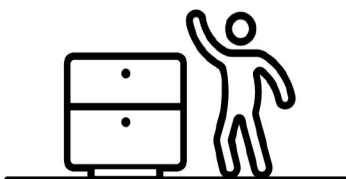
Sufficient Space

Make sure you have enough space to move around during the assembly.



Avoid Scratches

Use cardboard, blankets or a carpeted area while assembling furniture to prevent scratches.



Flat Surface

Make sure the furniture rests on a flat and level surface with each leg evenly touching the floor.

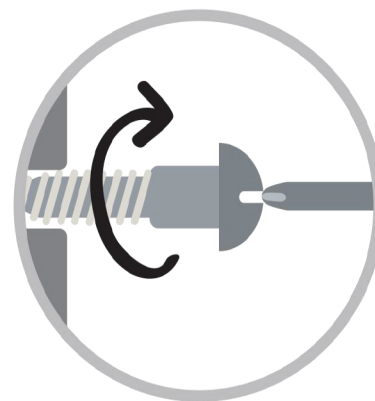
ASSEMBLY AND CARE ADVICE



FAILURE TO FOLLOW THE GUIDELINES BELOW MAY RESULT IN INJURY AND/OR PROPERTY DAMAGE.



Position each part correctly and insert screws or bolts into their respective holes.



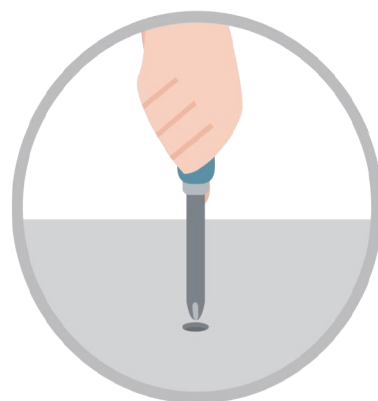
Turn clockwise to tighten and only tighten when step is completed or when instructed to do so.



Use the appropriate hand tools or power tools for assembly. Select steps, such as tightening screws and/or bolts, may require hand tools to avoid causing damage during assembly.



Save the instructions and store any supplied tools for later maintenance.



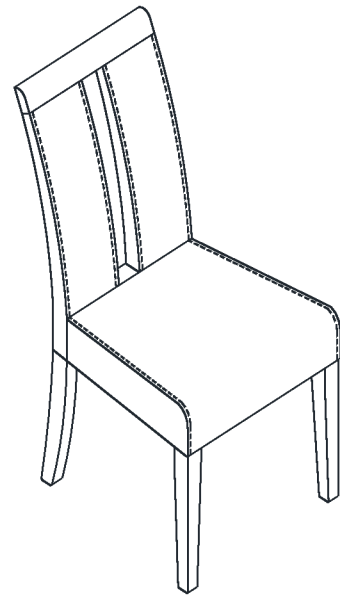
After two weeks, check and tighten any loose hardware and repeat again every six months thereafter.

IT IS THE USER'S RESPONSIBILITY TO MAINTAIN THE FURNITURE. THE HARDWARE MAY LOOSEN OVER TIME AND MAY CAUSE THE FURNITURE TO BE WOBBLY AND UNABLE TO SUPPORT ITS INTENDED WEIGHT CAPACITY. THIS MAY LEAD TO COLLAPSE AND MAY CAUSE SERIOUS INJURY.

SIDE CHAIR



- Please keep instructions for future reference.
- Check the quantity and irregularity of parts and hardware before you start.



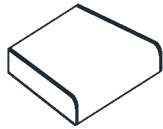
PARTS

#1 1pc



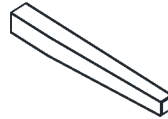
Back Rest w/Legs

#2 1pc



Seat Cushion

#3 2pcs



Leg

HARDWARE

#A 1pc



Allen Wrench

#B 4pcs



Bolt ϕ 5/16" x 3-1/2"

#C 2pcs



Bolt ϕ 5/16" x 2"

#D 4pcs



Bolt ϕ 5/16" x 2-1/4"

#D 10pcs



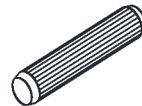
Lock Washer ϕ 5/16"

#E 10pcs



Flat Washer ϕ 5/16"

#G 1pc

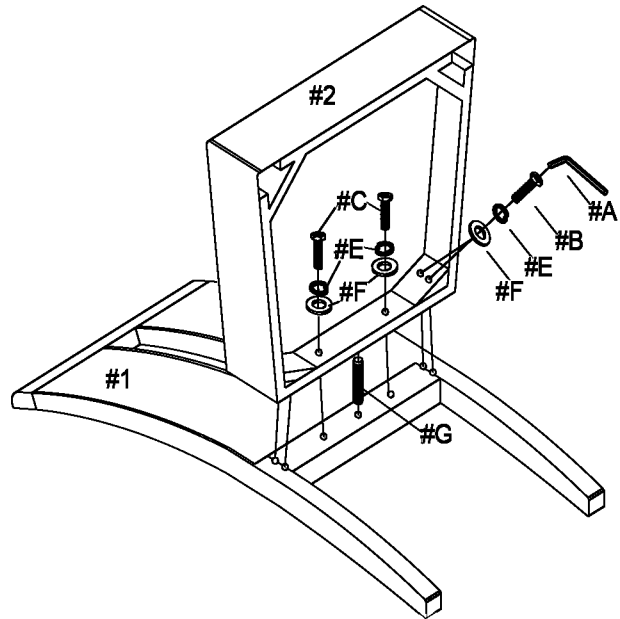


Wood Dowel

ASSEMBLY INSTRUCTIONS

- 1**
- Part #1 x1pc
 - Part #2 x1pc
 - Hardware #B x4pcs
 - Hardware #C x2pcs
 - Hardware #E x6pcs
 - Hardware #F x6pcs
 - Hardware #G x1pc

- I. Place the back rest with legs (#1) on a protected surface. Insert the wood dowel (#G) to the center hole of the back rest with legs (#1).
- II. Align the seat cushion (#2) with the wood dowel (#G) and the pre-drilled holes of the back rest with legs (#1).
- III. Prepare 2 bolt assemblies by inserting FIRST the spring washer (#E) onto the bolt (#C) and then the flat washer (#F) onto the SAME bolt (#C), in that order.
- IV. Insert the bolt assembly through the hole between the wood dowel (#G) and the edge of the seat cushion (#2) and secure that bolt using the Allen wrench (#A) to lock it in with the back rest with legs(#1). Repeat for the other side.
- V. Prepare 4 bolt assemblies by inserting FIRST the spring washer (#E) onto the bolt (#B) and then the flat washer (#F) onto the SAME bolt (#B), in that order.
- VI. Insert 2 bolt assemblies through the two pre-drilled holes in the corner of the seat cushion (#2) and secure those bolts using the Allen wrench (#A) to lock it in with the back rest with legs (#1). Repeat for the other side.

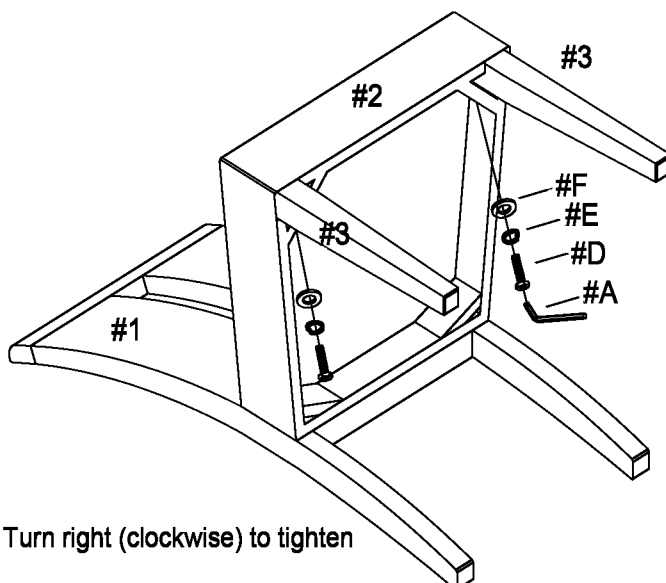


Turn right (clockwise) to tighten

2

- Part #3 x2pcs
- Hardware #D x4pcs
- Hardware #E x4pcs
- Hardware #F x4pcs

- I. Insert the 2 legs (#3) to align with the pre-drilled holes of the seat cushion (#2).
- II. Prepare 4 bolt assemblies by inserting FIRST the spring washer (#E) onto the bolt (#D) and then the flat washer (#F) onto the SAME bolt (#D), in that order.
- III. Insert 2 bolt assemblies through the two pre-drilled holes in the corner of the seat cushion (#2) and secure those bolts using the Allen wrench (#A) to lock it in with the leg (#3). Repeat for the other side.
- IV. Carefully turn the completed chair upright. Make sure the chair is rested on a flat surface and it does not feel loose or wobbly. If it does, double check that the bolts are secured and properly tightened.



Turn right (clockwise) to tighten

ASSEMBLY COMPLETED



Please ensure the furniture rests on an even and flat surface. If the product wobbles or feels loose, double-check all bolts and/or screws are properly tightened and secured.



Keep this handy!

Please retain this instruction manual and any order-related information for future reference.