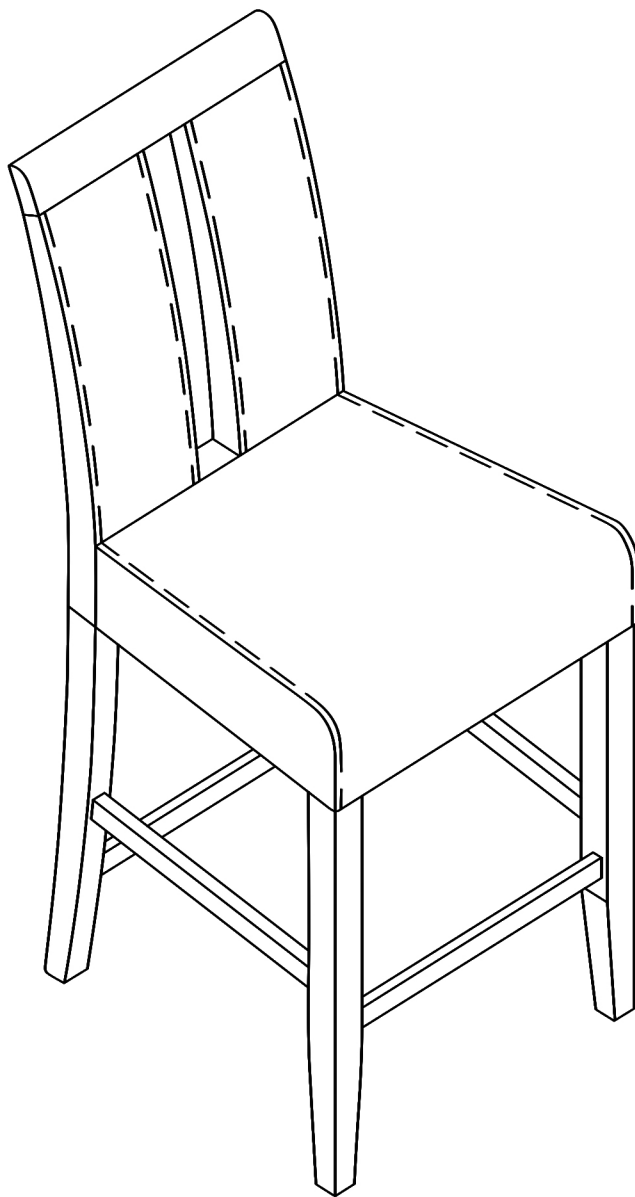


# ASSEMBLY INSTRUCTIONS

---



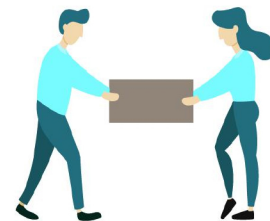
## TOOLS REQUIRED



**Allen Wrench**  
(Included)



**Phillips  
Screwdriver**  
(Not Included)



**2 - Persons  
Recommended**

## ASSEMBLY RATING



EASY —————> DIFFICULT

The Assembly Rating is a 5-point system showing the level of effort needed to assemble a specific product.



## **CHECK BEFORE STARTING**

### **Are you missing anything?**

Double-check all parts, hardware and accessories listed on Page 6 are accounted for.

### **Check out our Quick Tips!**

We recommend reviewing the pre-assembly handouts. Even experts need a refresher now and then!

### **Should we send any replacements?**

Are there any irregularities or flaws in the parts? We can send replacements!

### **Prep Time!**

Please review the assembly instructions and all diagrams prior to assembling. Set up your workspace by laying the parts and hardware out separately, then begin!

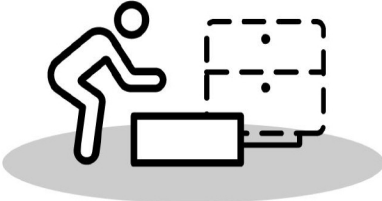
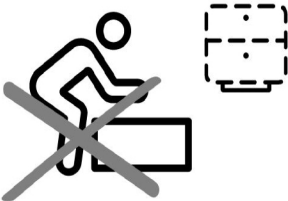
# PRE ASSEMBLY INTRODUCTION

We understand building ready-to-assemble furniture can be a challenging experience for some. To help avoid confusion, we have provided some helpful tips that may speed up the process.



### Teamwork

ALWAYS have at least two people to help with transporting and assembling the product to avoid potential injury and/or damage.



### Suitable Location

Assembling near the area of the intended location is highly recommended.



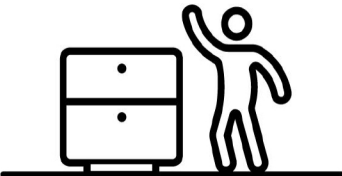
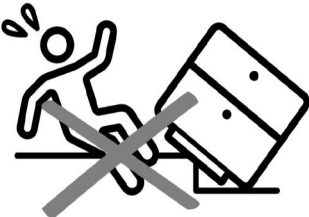
### Sufficient Space

Make sure you have enough space to move around during the assembly.



### Avoid Scratches

Use cardboard, blankets or a carpeted area while assembling furniture to prevent scratches.



### Flat Surface

Make sure the furniture rests on a flat and level surface with each leg evenly touching the floor.

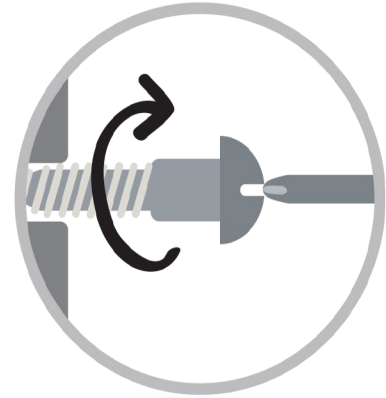
# ASSEMBLY AND CARE ADVICE



**FAILURE TO FOLLOW THE GUIDELINES BELOW MAY RESULT IN INJURY AND/OR PROPERTY DAMAGE.**



Position each part correctly and insert screws or bolts into their respective holes.



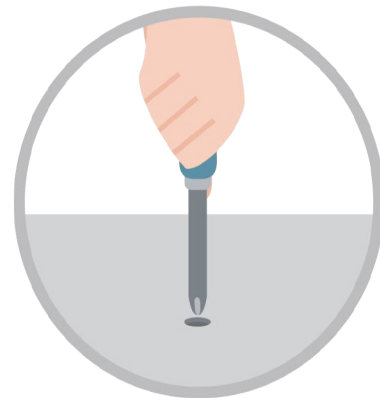
Turn clockwise to tighten and only tighten when step is completed or when instructed to do so.



Use the appropriate hand tools or power tools for assembly. Select steps, such as tightening screws and/or bolts, may require hand tools to avoid causing damage during assembly.



Save the instructions and store any supplied tools for later maintenance.



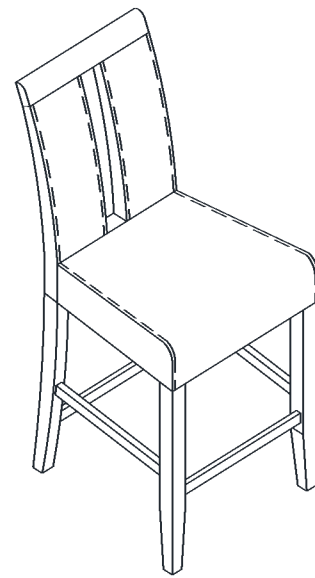
After two weeks, check and tighten any loose hardware and repeat again every six months thereafter.

**IT IS THE USER'S RESPONSIBILITY TO MAINTAIN THE FURNITURE. THE HARDWARE MAY LOOSEN OVER TIME AND MAY CAUSE THE FURNITURE TO BE WOBBLY AND UNABLE TO SUPPORT ITS INTENDED WEIGHT CAPACITY. THIS MAY LEAD TO COLLAPSE AND MAY CAUSE SERIOUS INJURY.**

# COUNTER HEIGHT CHAIR

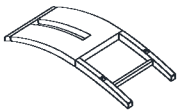


- Please keep instructions for future reference.
- Check the quantity and irregularity of parts and hardware before you start.



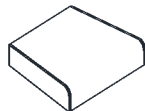
## PARTS

#1 1pc



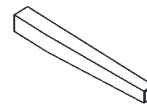
Backrest w/Legs

#2 1pc



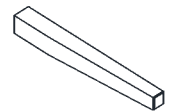
Seat

#3 1pc



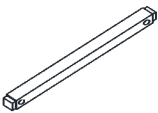
Right Front Leg

#4 1pc



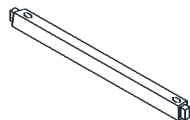
Left Front Leg

#5 1pc



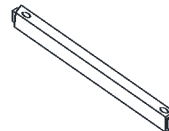
Front Leg Support

#6 1pc



Right Leg Support

#7 1pc



Left Leg Support

## HARDWARE

#A 2pcs



Bolt  $\varnothing$  5/16" x 1-3/4"

#B 4pcs



Bolt  $\varnothing$  5/16" x 2"

#C 4pcs



Bolt  $\varnothing$  5/16" x 3-1/4"

#D 10pcs



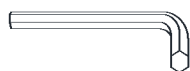
Flat Washer  $\varnothing$  5/16"

#E 10pcs



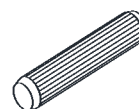
Lock Washer  $\varnothing$  5/16"

#F 1pc



Allen Wrench

#G 1pc



Wood Dowel

#H 6pcs



Wood Screw

# ASSEMBLY INSTRUCTIONS

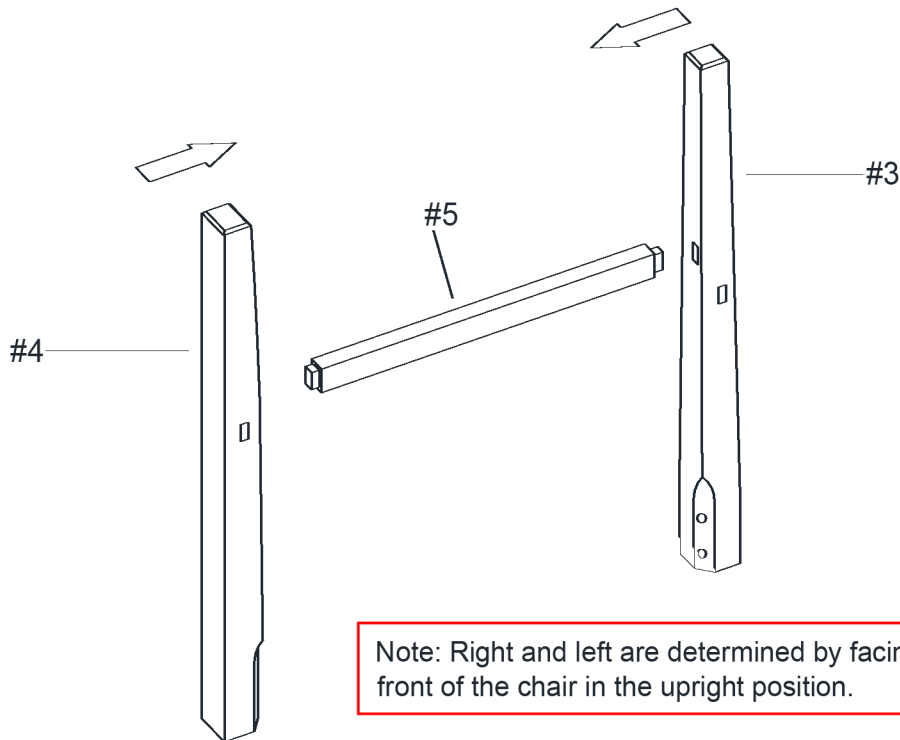
## 1

Insert the front leg support (#5) into the right front leg (#3) and the left front leg (#4).

Part (#3) x1pc

Part (#4) x1pc

Part (#5) x1pc



## 2

Part (#2) x1pc

Part (#3) x1pc

Part (#4) x1pc

Part (#5) x1pc

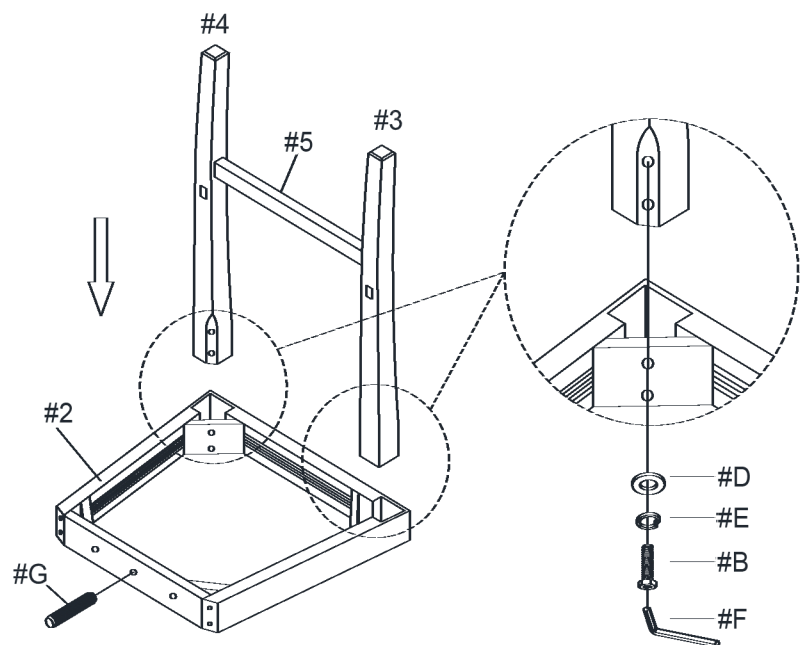
Hardware (#B) x4pcs

Hardware (#D) x4pcs

Hardware (#E) x4pcs

Hardware (#G) x1pc

- I. Place the seat (#2) facing down on a protected surface. Insert a wood dowel (#G) into the center hole of the seat (#2).
- II. Align the assembled front legs with the pre-drilled holes of the seat (#2).
- III. Prepare 4 bolt assemblies by inserting FIRST the lock washer (#E) onto the bolt (#B) and then the flat washer (#D) onto the SAME bolt (#B), in that order.
- IV. Insert the bolt assembly through the corner holes of the seat (#2) and secure those bolts using the Allen wrench (#F) to lock them with the right front leg (#3) and the left front leg (#4).



Turn right (clockwise) to tighten

# ASSEMBLY INSTRUCTIONS

## 3

Part #1 x1pc

Part #6 x1pc

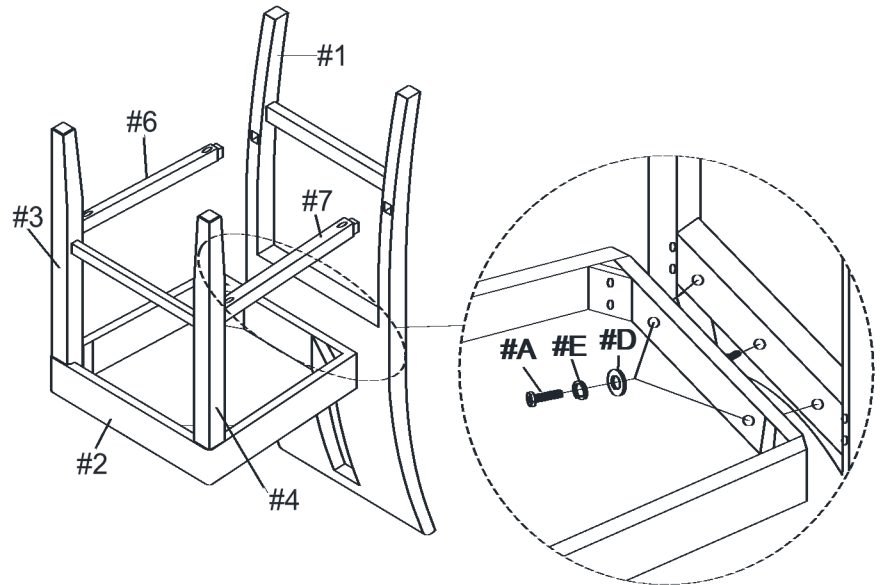
Part #7 x1pc

Hardware #A x2pcs

Hardware #D x2pcs

Hardware #E x2pcs

- I. Insert the right leg support (#6) into the right front leg (#3) and insert the left leg support (#7) into the left front leg (#4).
- II. Align the backrest with legs (#1) with the wood dowel (#G) and the other ends of the leg supports.
- III. Prepare 2 bolt assemblies by inserting FIRST the lock washer (#E) onto the bolt (#A) and then the flat washer (#D) onto the SAME bolt (#A), in that order.
- IV. Insert the bolt assemblies through the holes near the wood dowel (#G) of the seat (#2) and secure those bolts using the Allen wrench (#F) to lock them with the backrest with legs (#1).



Turn right (clockwise) to tighten

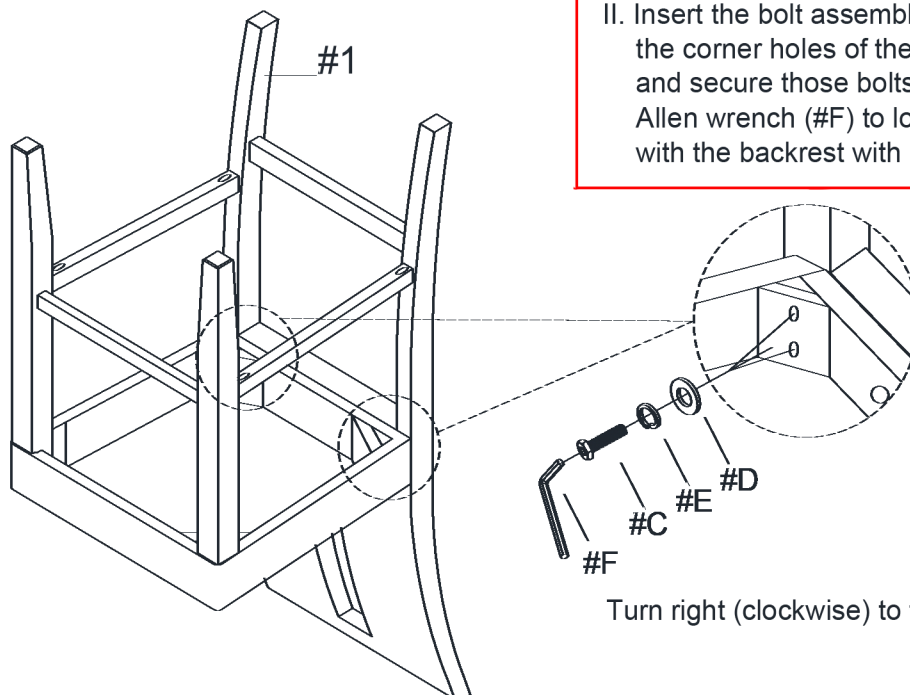
## 4

Hardware #C x4pcs

Hardware #D x4pcs

Hardware #E x4pcs

- I. Prepare 4 bolt assemblies by inserting FIRST the lock washer (#E) onto the bolt (#C) and then the flat washer (#D) onto the SAME bolt (#C), in that order.
- II. Insert the bolt assemblies through the corner holes of the seat (#2) and secure those bolts using the Allen wrench (#F) to lock them with the backrest with legs (#1).



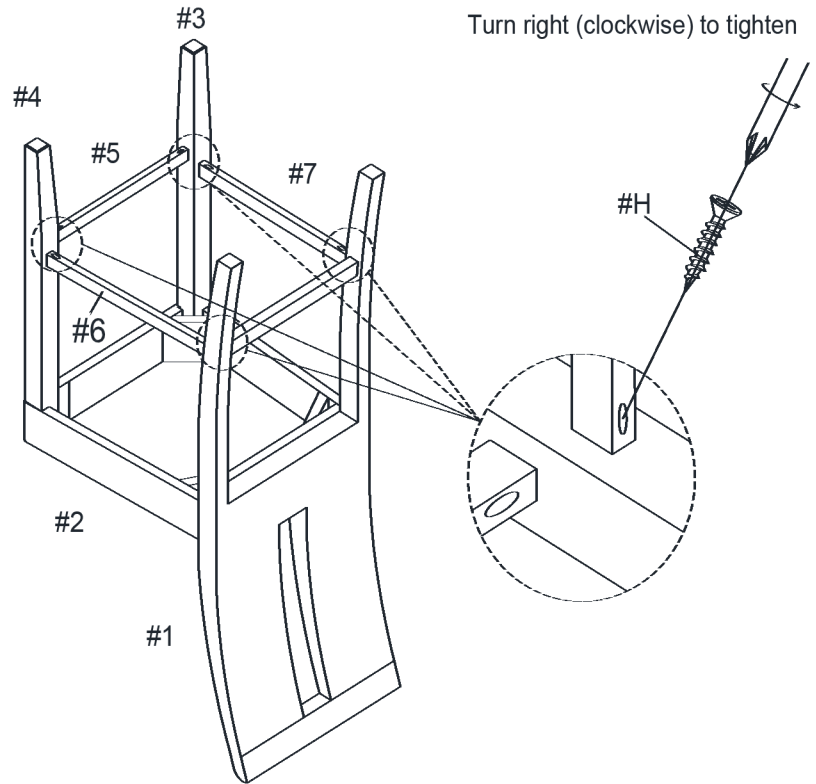
Turn right (clockwise) to tighten

# ASSEMBLY INSTRUCTIONS

## 5

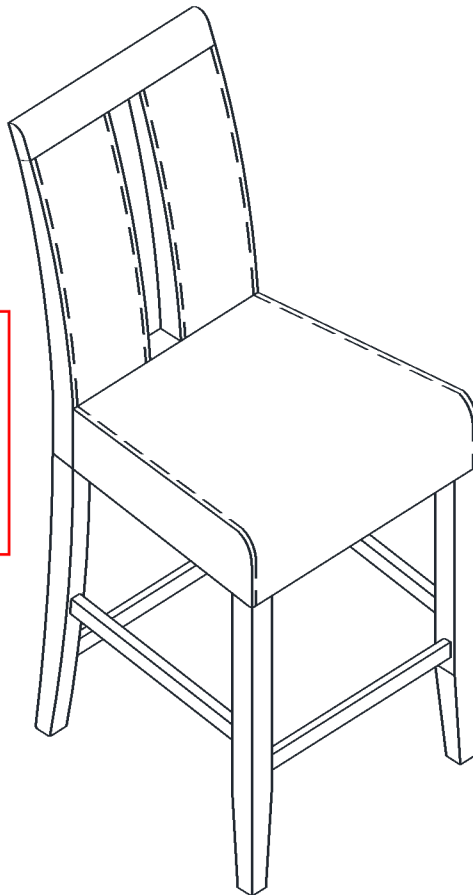
Hardware (#H) x6pcs

Secure all the leg supports with 6 wood screws (#H) using a Phillips screwdriver to lock them with the backrest with legs (#1), the right front leg (#3) and the left front leg (#4).



## 6

Carefully place the completed chair in the upright position. Make sure the chair is rested on a flat surface and does not feel loose or wobbly. If it does, double check that the bolts/screws are secured and properly tightened.



### ASSEMBLY COMPLETED



Please ensure the furniture rests on an even and flat surface. If the product wobbles or feels loose, double-check all bolts and/or screws are properly tightened and secured.



**Keep this handy!**

Please retain this instruction manual and any order-related information for future reference.