

ASSEMBLY INSTRUCTION

DESCRIPTION: DINING TABLE

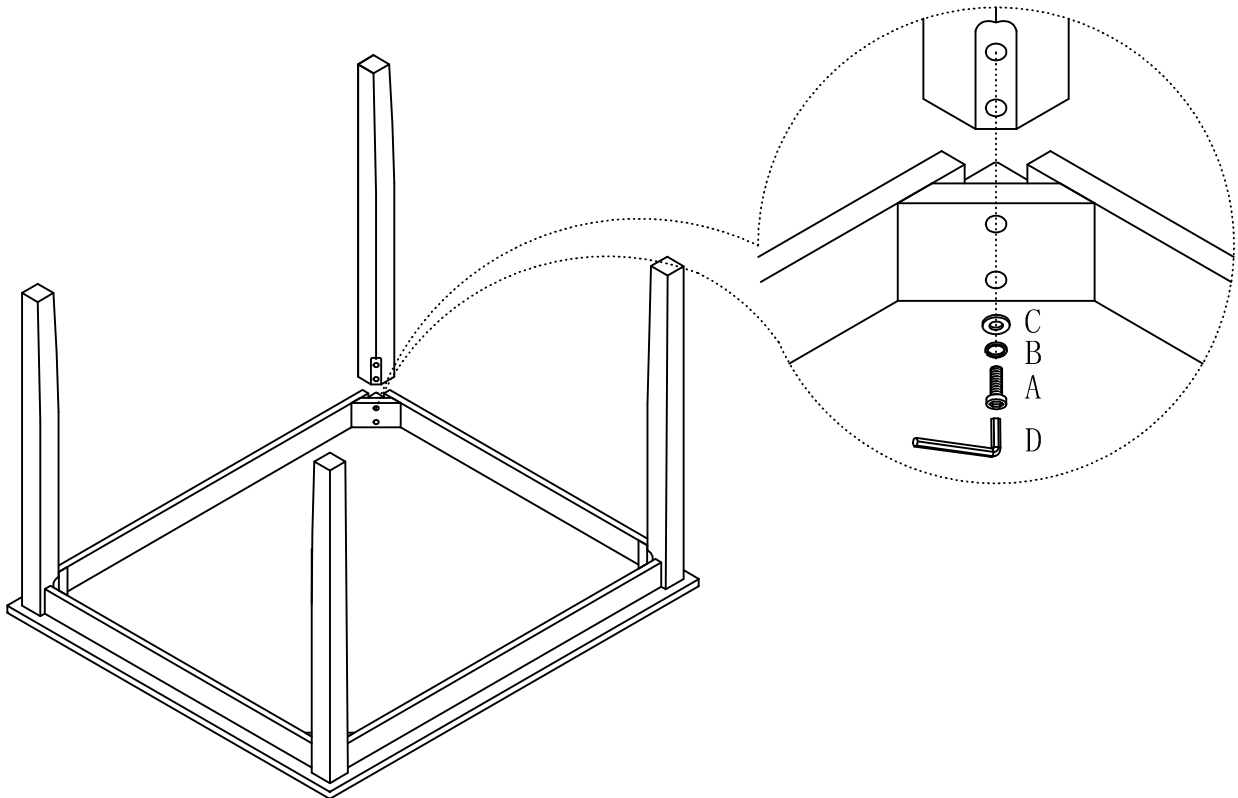
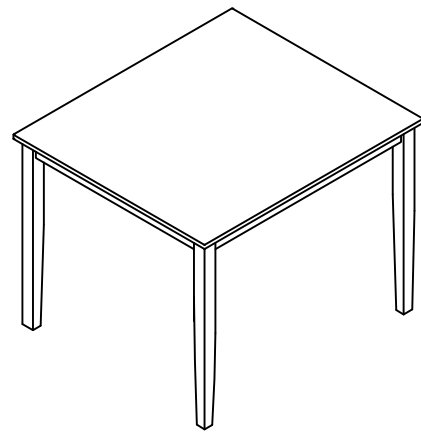
Read instruction carefully prior to assembly .

Thank you for purchasing this quality product. Check carefully for small parts which may have come loose during shipment.

Remove all components from pack and place table top upside down on soft surface such as carpet or cloth to prevent scratching the finish. Identify and count all parts as specified below.

Do not tighten bolts until assembly is complete

HARDWARE LIST			
NO.	PART	DESCRIPTION	Q' TY
A		BOLT (4x16mm)	8 PCS
B		LOCK WASHER (1/16")	8 PCS
C		WASHER (1/16" * 9mm)	8 PCS
D		ALLEN WRENCH (4mm)	1 PC



ASSEMBLY INSTRUCTION

DESCRIPTION: DINING CHAIR

Read instruction carefully prior to assembly .

Thank you for purchasing this quality product. Check carefully for small parts which may have come loose during shipment.

Remove all components from pack and place table top upside down on soft surface such as carpet or cloth to prevent scratching the finish. Identify and count all parts as specified below.

Do not tighten bolts until assembly is complete

HARDWARE LIST			
NO.	PART	DESCRIPTION	Q' TY
A		BOLT (𠄎𠄎𠄎𠄎mmL)	4 PCS
B		BOLT (𠄎𠄎𠄎𠄎mmL)	4 PCS
C		BOLT (𠄎𠄎𠄎𠄎mmL)	2 PCS
D		LOCK WASHER (𠄎/4")	10 PCS
E		WASHER (𠄎/4")	10 PCS
F		ALLEN WRENCH (4mm)	1 PC

