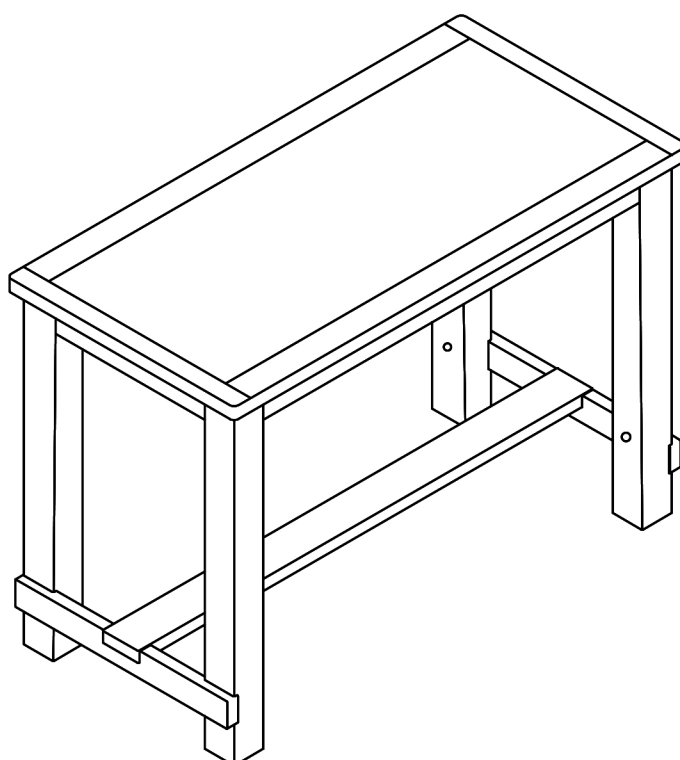


Assembly Instructions



ASSEMBLY RATING

The Assembly Rating is a 5-point system that shows the degree of effort needed in assembling a specific product (with 1 being easy and 5 being difficult). For some products, two persons are recommended.

EASY  DIFFICULT

Tools Required For Assembly:

Allen Wrench

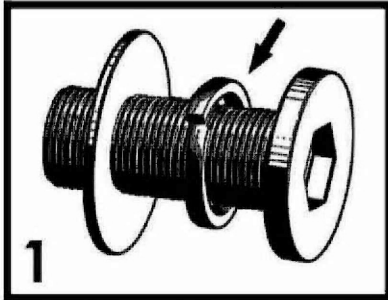


2 PERSONS RECOMMENDED

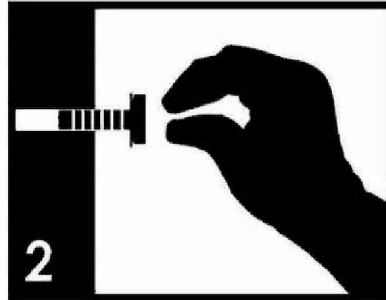
ASSEMBLY & CARE ADVICE

FOR YOUR FURNITURE TO LAST, CORRECT ASSEMBLY AND PROPER MAINTENANCE ARE NECESSARY. PLEASE FOLLOW THE INFORMATION PROVIDED BELOW TO FULLY ENJOY YOUR FURNITURE.

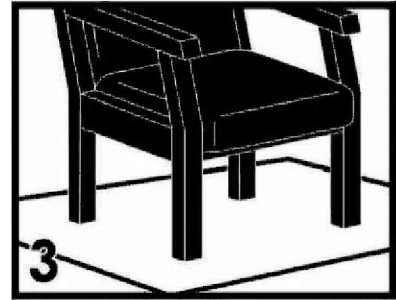
BASIC ASSEMBLY TECHNIQUES



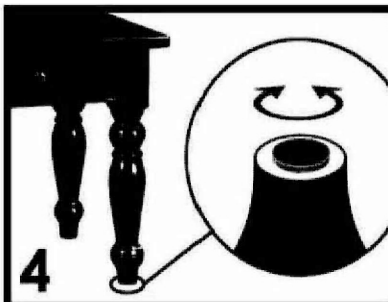
1
When lock or spring washer is used in an assembly, please make sure the lock or spring washer is placed between the larger flat washer and the head of the screw or bolt.



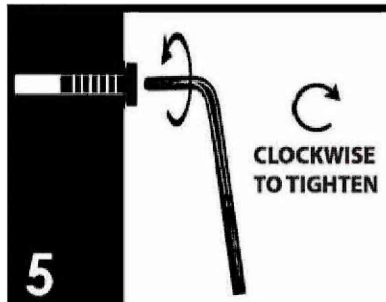
2
Position each part correctly and insert screws or bolts into their respective holes by hand tighten or using the proper hand tool. Only tighten when step is completed or when instructed to do so.



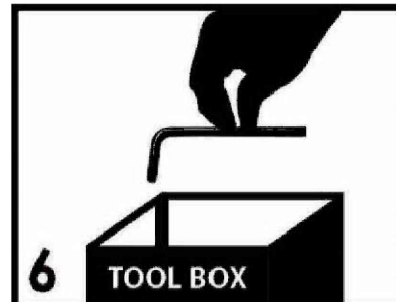
3
Use cardboard or carpet area when assembling furniture to prevent scratches. Make sure the furniture rests on a flat and level surface with each leg evenly touching the floor. No dragging of products/parts.



4
Some furniture comes with height adjustment knobs underneath each leg. To lower or to raise each leg, you need to turn clockwise or counterclockwise, respectively.



5
Make sure all parts are properly aligned, then use the appropriate hand tool to completely tighten the bolts or screws. Do not use power tools and do not overtighten.

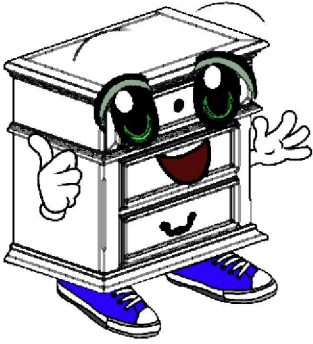


6
Save the instructions and store the Allen wrench or any supplied tool for later maintenance. After two weeks, check and tighten any loose hardware and repeat again every six months thereafter.

IT IS THE USER'S RESPONSIBILITY TO MAINTAIN THE FURNITURE. THE HARDWARE MAY LOOSEN OVER TIME AND MAY CAUSE THE FURNITURE TO BE WOBBLY AND UNABLE TO SUPPORT ITS INTENDED WEIGHT CAPACITY. THIS MAY LEAD TO COLLAPSE AND MAY CAUSE SERIOUS INJURY.



FAILURE TO FOLLOW THE GUIDELINES ABOVE MAY RESULT IN INJURY AND/OR PROPERTY DAMAGE.

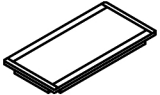







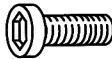
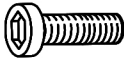


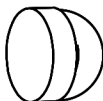

Before you begin, please read Page 2 of "Assembly and Care Advice".

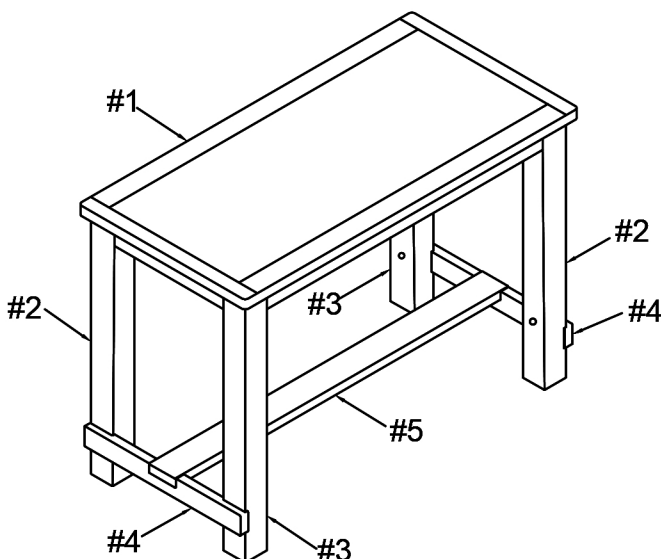
And remember, do not tighten until each step is completed or instructed.

Parts List

Hardware List

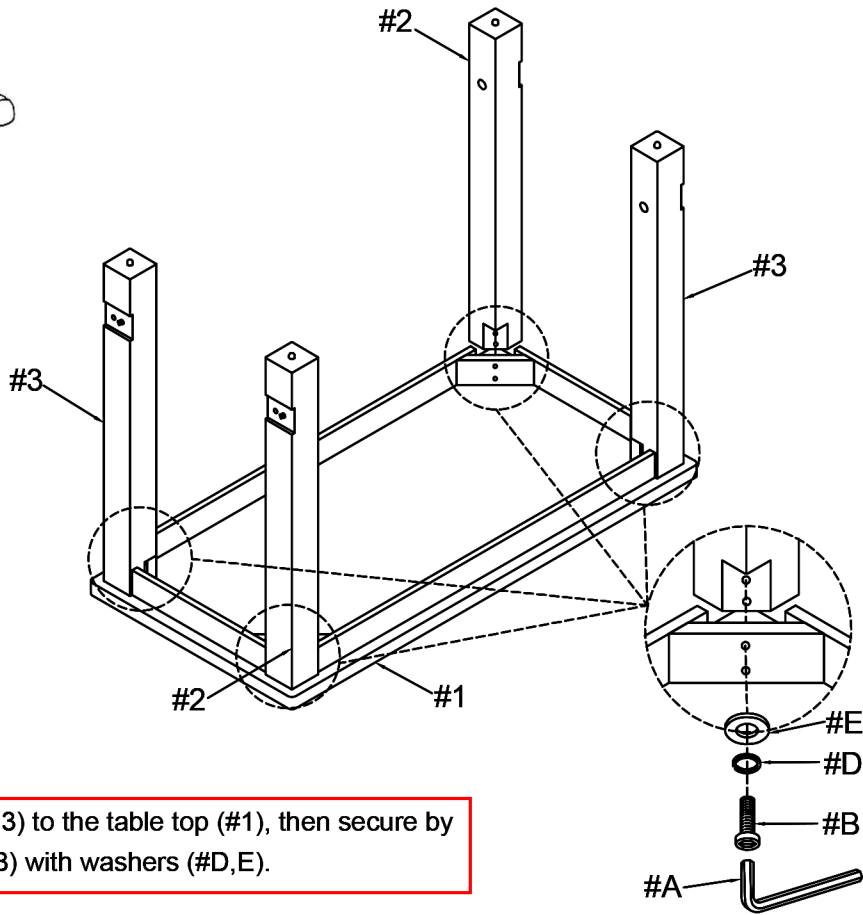
- 
#1 x 1pc
Table Top
- 
#2 x 2pcs
Left Leg
- 
#3 x 2pcs
Right Leg
- 
#4 x 2pcs
Side Panel
- 
#5 x 1pc
Side Panel Support

- 
#A x 1pc
Allen Wrench M5
- 
#B x 10pcs
Bolt Ø5/16" x 2-1/2"
- 
#C x 4pcs
Bolt Ø5/16" x 3"
- 
#D x 14pcs
Lock Washer Ø5/16"
- 
#E x 14pcs
Flat Washer Ø5/16"
- 
#F x 4pcs
Wooden Plug
- 
#G x 4pcs
Dowel Ø10 x 40mm





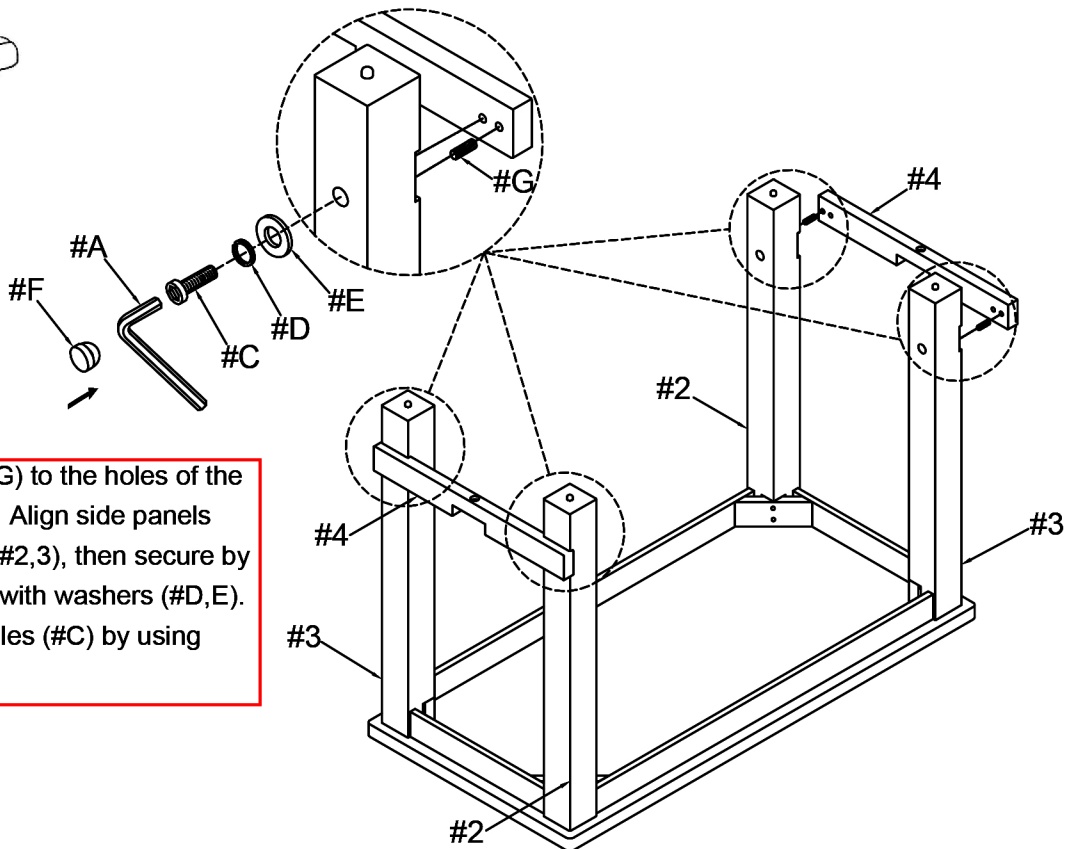
#B x 8pcs
 #D x 8pcs
 #E x 8pcs



Align legs (#2,3) to the table top (#1), then secure by using bolts (#B) with washers (#D,E).



#C x 4pcs
 #D x 4pcs
 #E x 4pcs
 #F x 4pcs
 #G x 4pcs



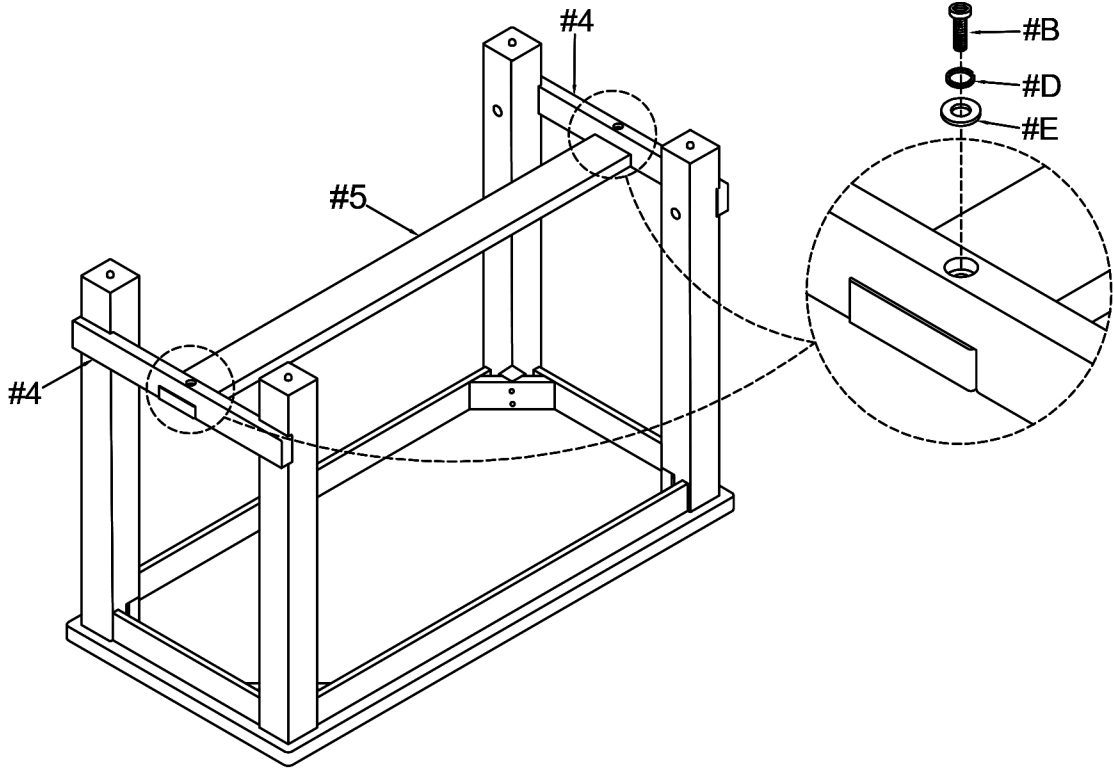
Insert dowels (#G) to the holes of the side panels (#4). Align side panels (#4) to the legs (#2,3), then secure by using bolts (#C) with washers (#D,E). Cover up bolt holes (#C) by using plugs (#F).



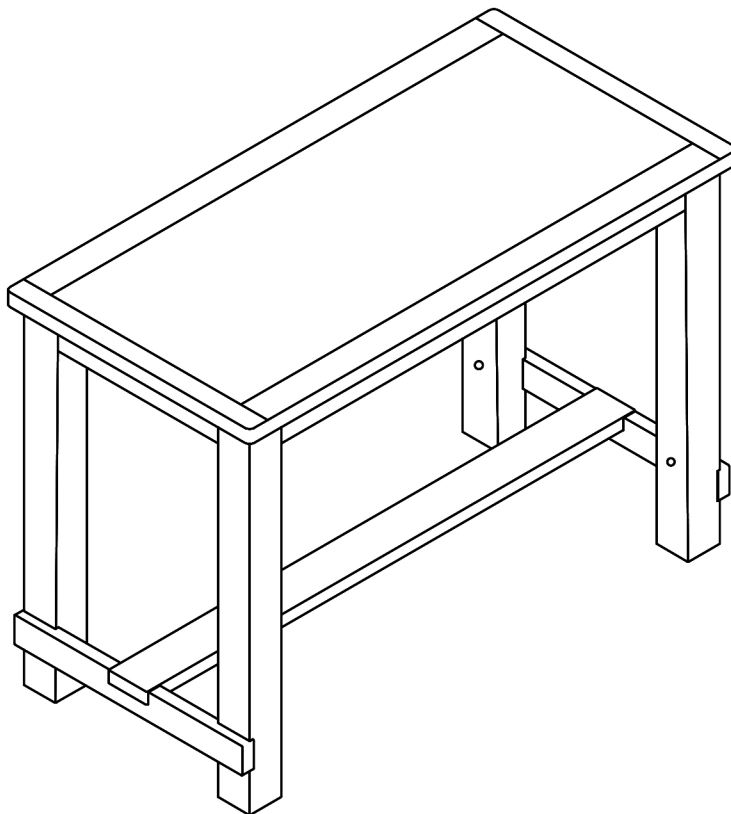
#3

Align side panel support (#5) to the side panels (#4), then secure by using bolts (#B) with washers (#D,E).

#B x 2pcs
#D x 2pcs
#E x 2pcs

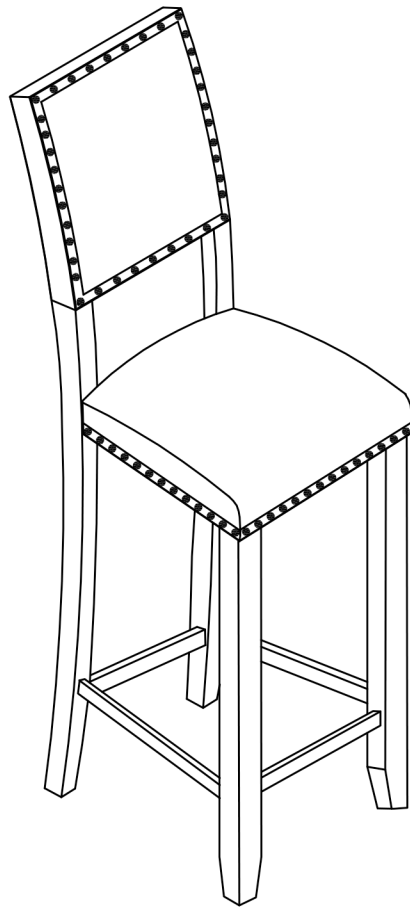


#4



ASSEMBLY IS COMPLETED

Assembly Instructions



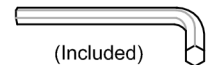
ASSEMBLY RATING

The Assembly Rating is a 5-point system that shows the degree of effort needed in assembling a specific product (with 1 being easy and 5 being difficult). For some products, two persons are recommended.

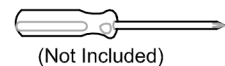
EASY  DIFFICULT

Tools Required For Assembly:

Allen Wrench



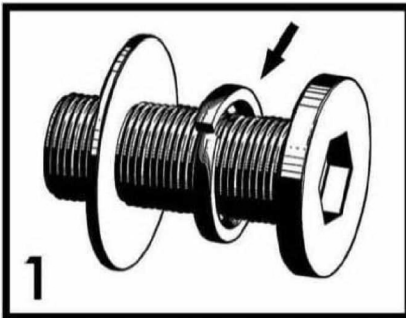
Phillips Screwdriver



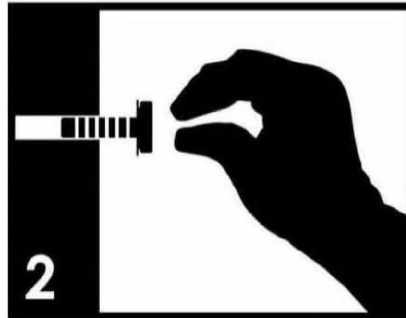
ASSEMBLY & CARE ADVICE

FOR YOUR FURNITURE TO LAST, CORRECT ASSEMBLY AND PROPER MAINTENANCE ARE NECESSARY. PLEASE FOLLOW THE INFORMATION PROVIDED BELOW TO FULLY ENJOY YOUR FURNITURE.

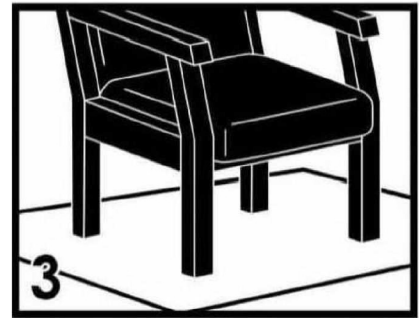
BASIC ASSEMBLY TECHNIQUES



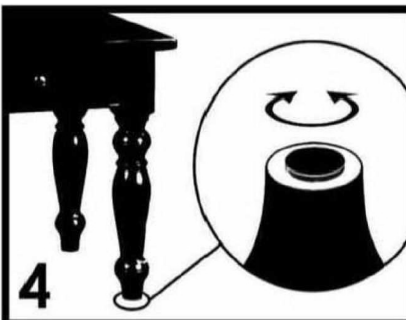
When lock or spring washer is used in an assembly, please make sure the lock or spring washer is placed between the larger flat washer and the head of the screw or bolt.



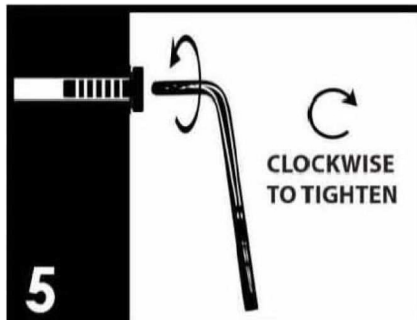
Position each part correctly and insert screws or bolts into their respective holes by hand tighten or using the proper hand tool. Only tighten when step is completed or when instructed to do so.



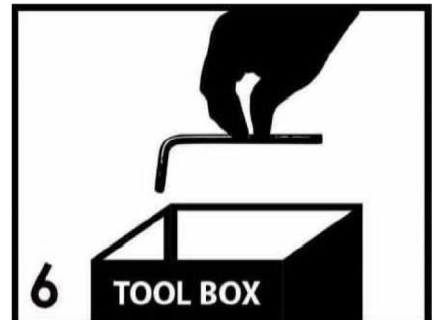
Use cardboard or carpet area when assembling furniture to prevent scratches. Make sure the furniture rests on a flat and level surface with each leg evenly touching the floor.



Some furniture comes with height adjustment knobs underneath each leg. To lower or to raise each leg, you need to turn clockwise or counterclockwise, respectively.



Make sure all parts are properly aligned, then use the appropriate hand tool to completely tighten the bolts or screws. Do not use power tools and do not overtighten.

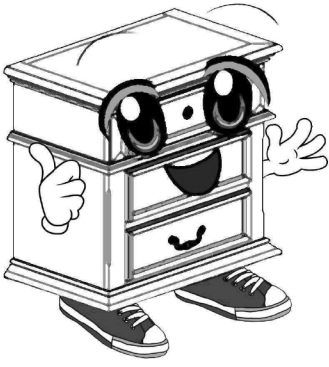


Save the instructions and store the Allen wrench or any supplied tool for later maintenance. After two weeks, check and tighten any loose hardware and repeat again every six months thereafter.

IT IS THE USER'S RESPONSIBILITY TO MAINTAIN THE FURNITURE. THE HARDWARE MAY LOOSEN OVER TIME AND MAY CAUSE THE FURNITURE TO BE WOBBLY AND UNABLE TO SUPPORT ITS INTENDED WEIGHT CAPACITY. THIS MAY LEAD TO COLLAPSE AND MAY CAUSE SERIOUS INJURY.



FAILURE TO FOLLOW THE GUIDELINES ABOVE MAY RESULT IN INJURY AND/OR PROPERTY DAMAGE.



Before you begin, please read Page 2 of "Assembly and Care Advice".

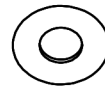
And remember, do not tighten until each step is completed or instructed.

Parts List

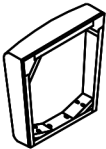
Hardware List



#1 x 1pc x 2
Backrest W/Legs



#A x 10pcs x 2
Flat Washer



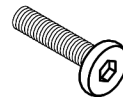
#2 x 1pc x 2
Seat



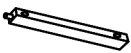
#B x 10pcs x 2
Lock Washer



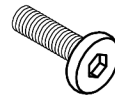
#3 x 2pcs x 2
Front Leg (L & R)



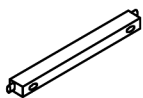
#C x 4pcs x 2
Bolt 5/16"X3-1/4"



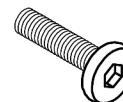
#4 x 2pcs x 2
Leg Support (L & R)



#D x 2pcs x 2
Bolt 5/16X1-1/2"



#5 x 1pc x 2
Front Leg Support



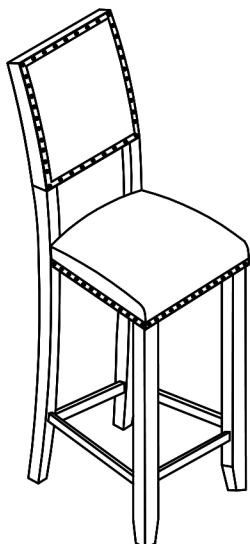
#E x 4pcs x 2
Bolt 5/16X2-1/4"



#F x 1pc x 2
Allen Wrench



#G x 6pcs x 2
Wood Screw Ø8*1-3/4"

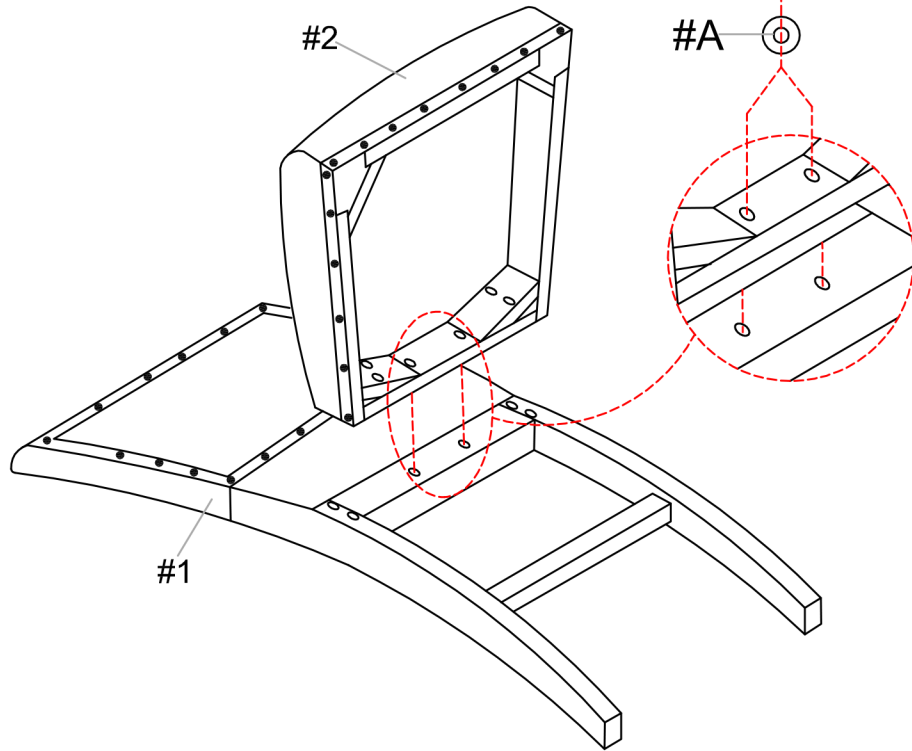


x 2



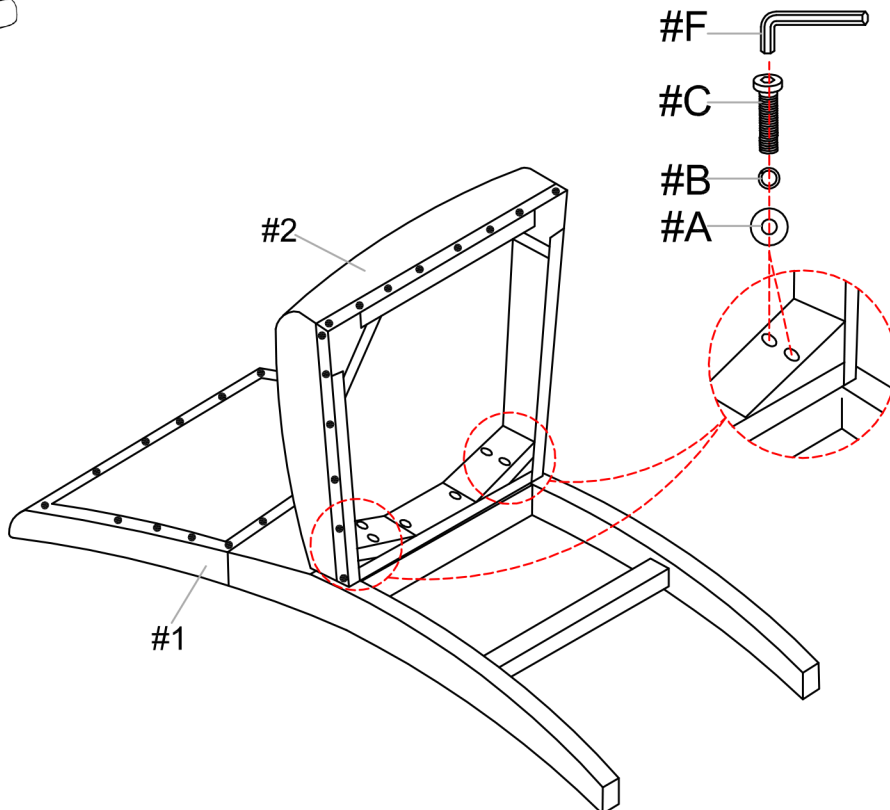
#A x 2pcs
 #B x 2pcs
 #D x 2pcs

- I. Align the seat (#2) to the backrest with legs (#1).
- II. Prepare 2 bolt assemblies by FIRST inserting the lock washer (#B) onto the bolt (#D) then the flat washer (#A) onto that SAME bolt (#D). Secure using the Allen wrench (#F).



#A x 4pcs
 #B x 4pcs
 #C x 4pcs

Prepare 4 bolt assemblies by FIRST inserting the lock washer (#B) into the bolt (#C) then the flat washer (#A) onto that SAME bolt (#C). Insert bolt assemblies into the corners of the seat (#2) and secure using the Allen wrench (#F).

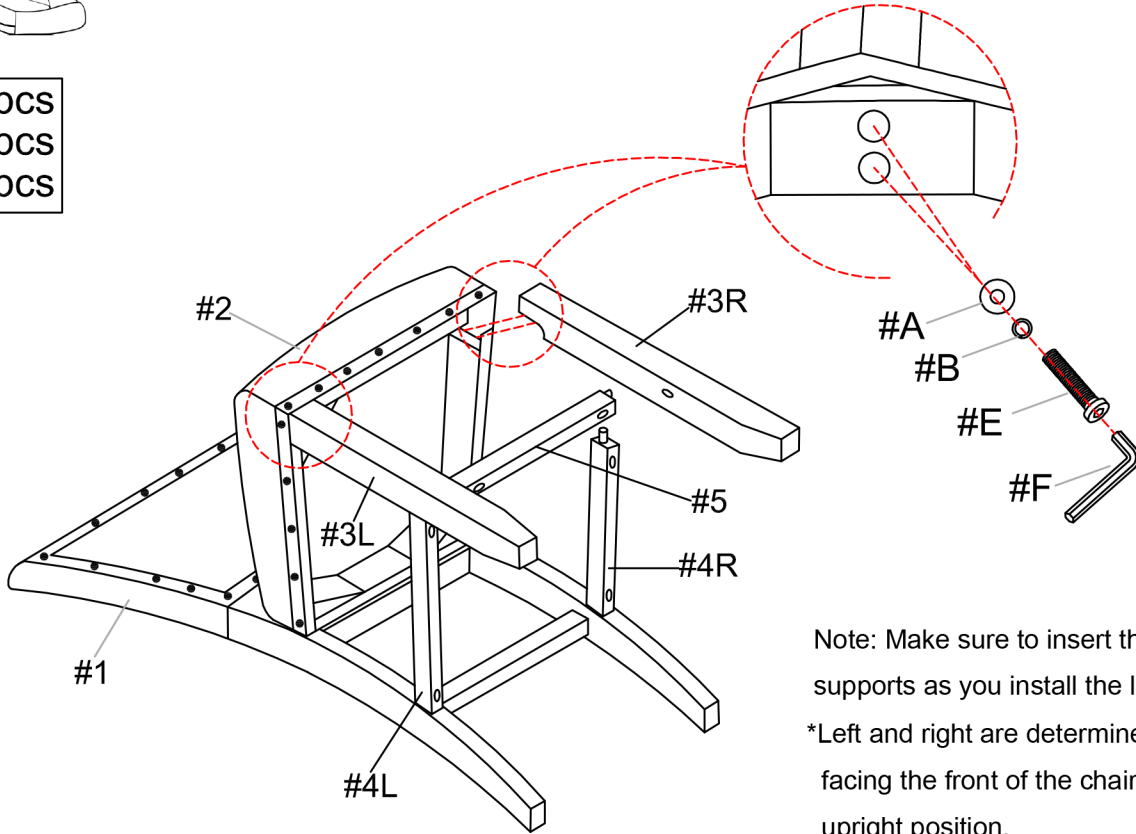




#3

- I. Insert the front legs (#3) into the front corners of the seat (#2).
- II. Prepare 4 bolt assemblies by FIRST inserting the lock washer (#B) onto the bolt (#E) then the flat washer (#A) onto that SAME bolt (#E). Secure using the Allen wrench (#F).

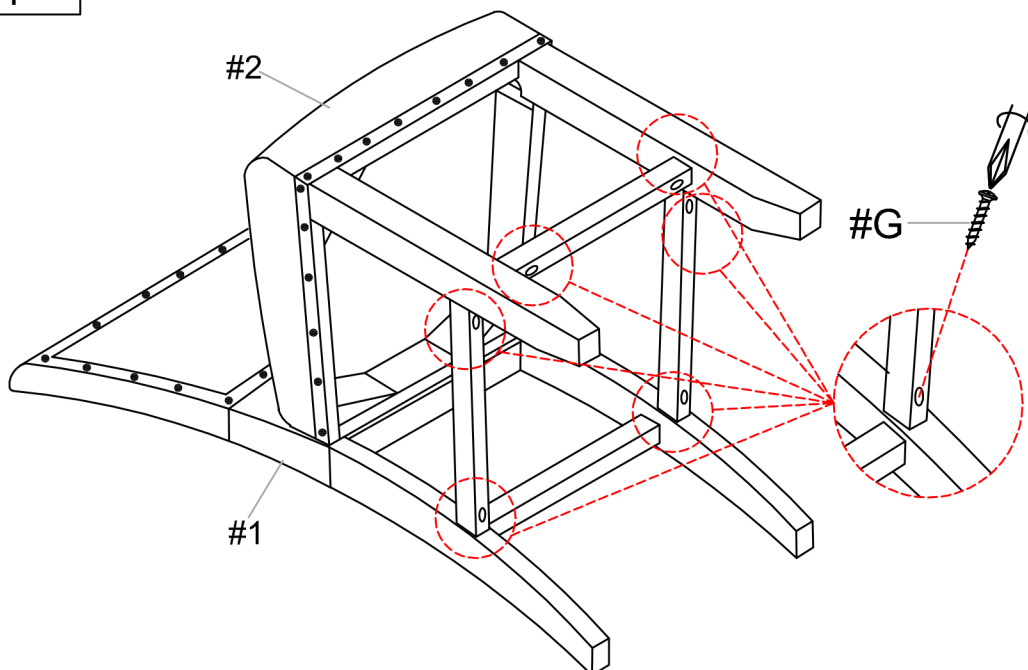
#A x 4pcs
 #B x 4pcs
 #E x 4pcs



#4

Insert a wood screw (#G) into each pre-drilled hole on the leg supports and secure using the Phillips screwdriver.

#G x 6pcs



ASSEMBLY IS COMPLETED