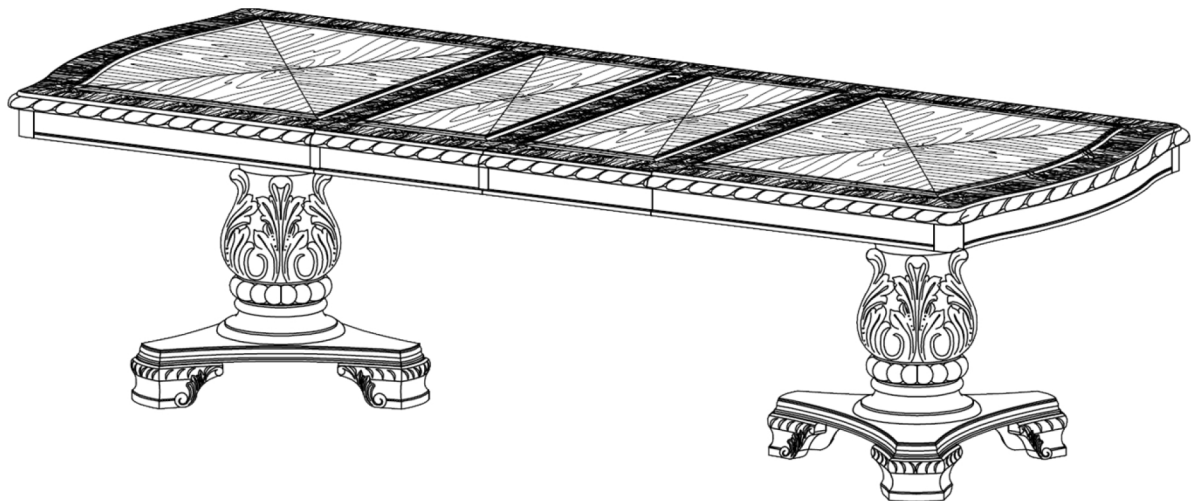


Assembly Instructions



ASSEMBLY RATING

The Assembly Rating is a 5-point system that shows the degree of effort needed in assembling a specific product (with 1 being easy and 5 being difficult). For some products, two persons are recommended.

EASY  DIFFICULT

Tools Required for Assembly:

Allen Wrench



(Included)

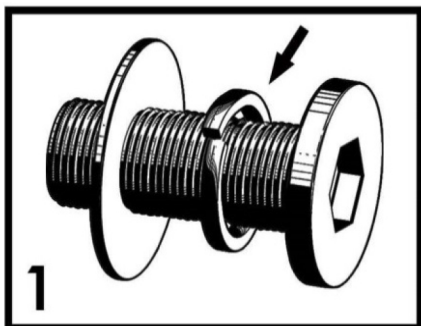


2 PERSONS RECOMMENDED

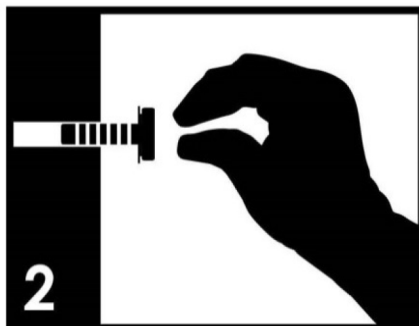
ASSEMBLY & CARE ADVICE

FOR YOUR FURNITURE TO LAST, CORRECT ASSEMBLY AND PROPER MAINTENANCE ARE NECESSARY. PLEASE FOLLOW THE INFORMATION PROVIDED BELOW TO FULLY ENJOY YOUR FURNITURE.

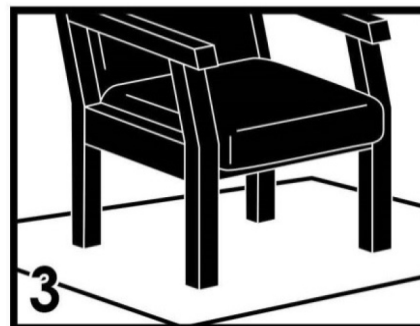
BASIC ASSEMBLY TECHNIQUES



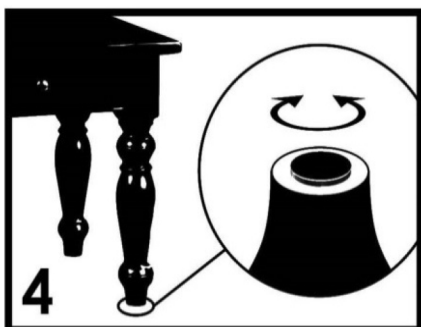
1
When lock or spring washer is used in an assembly, please make sure the lock or spring washer is placed between the larger flat washer and the head of the screw or bolt.



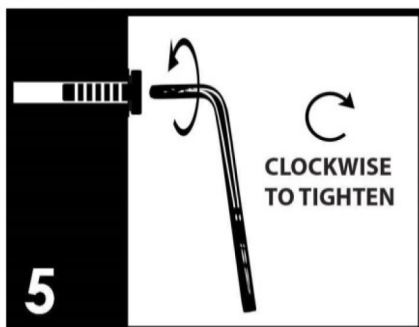
2
Position each part correctly and insert screws or bolts into their respective holes by hand tighten or using the proper hand tool. Only tighten when step is completed or when instructed to do so.



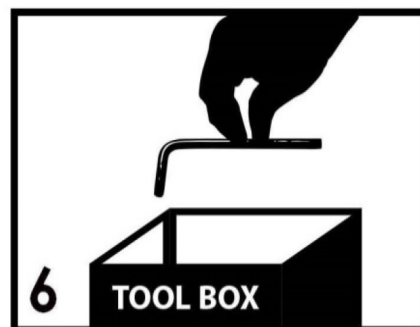
3
Use cardboard or carpet area when assembling furniture to prevent scratches. Make sure the furniture rests on a flat and level surface with each leg evenly touching the floor.



4
Some furniture comes with height adjustment knobs underneath each leg. To lower or to raise each leg, you need to turn clockwise or counterclockwise, respectively.



5
Make sure all parts are properly aligned, then use the appropriate hand tool to completely tighten the bolts or screws. Do not use power tools and do not overtighten.

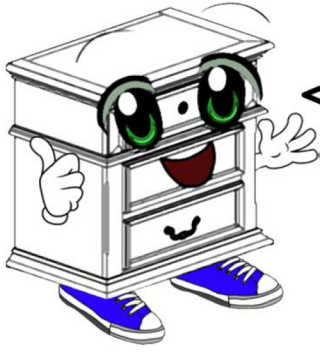


6
Save the instructions and store the Allen wrench or any supplied tool for later maintenance. After two weeks, check and tighten any loose hardware and repeat again every six months thereafter.

IT IS THE USER'S RESPONSIBILITY TO MAINTAIN THE FURNITURE. THE HARDWARE MAY LOOSEN OVER TIME AND MAY CAUSE THE FURNITURE TO BE WOBBLY AND UNABLE TO SUPPORT ITS INTENDED WEIGHT CAPACITY. THIS MAY LEAD TO COLLAPSE AND MAY CAUSE SERIOUS INJURY.



FAILURE TO FOLLOW THE GUIDELINES ABOVE MAY RESULT IN INJURY AND/OR PROPERTY DAMAGE.

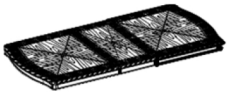


Before you begin, please read Page 2 of "Assembly and Care Advice".

And remember, do not tighten until each step is completed or instructed.

MD

Parts List



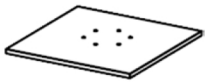
#1 x 1 pc
Table Top



#2 x 2 pcs
Leaf



#3 x 2 pcs
Table Stand



#4 x 2 pcs
Table Base



#5 x 2 pcs
Stand Base



#6 x 6 pcs
Foot

Hardware List



#A x 36 pcs
Bolt 5/16"x2-1/2"



#B x 8 pcs
Bolt 5/16"x1-3/8"



#C x 44 pcs
Lock Washer



#D x 44 pcs
Flat Washer



#E x 1 pc
Allen Wrench

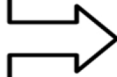


Due to the size and/or weight of this product, it is highly recommended that the assembly should be done near the area of its intended location. Make sure you have enough space to move around during the assembly. ALWAYS have at least two people to help with transporting and assembling the product to avoid any potential injury and/or damage.

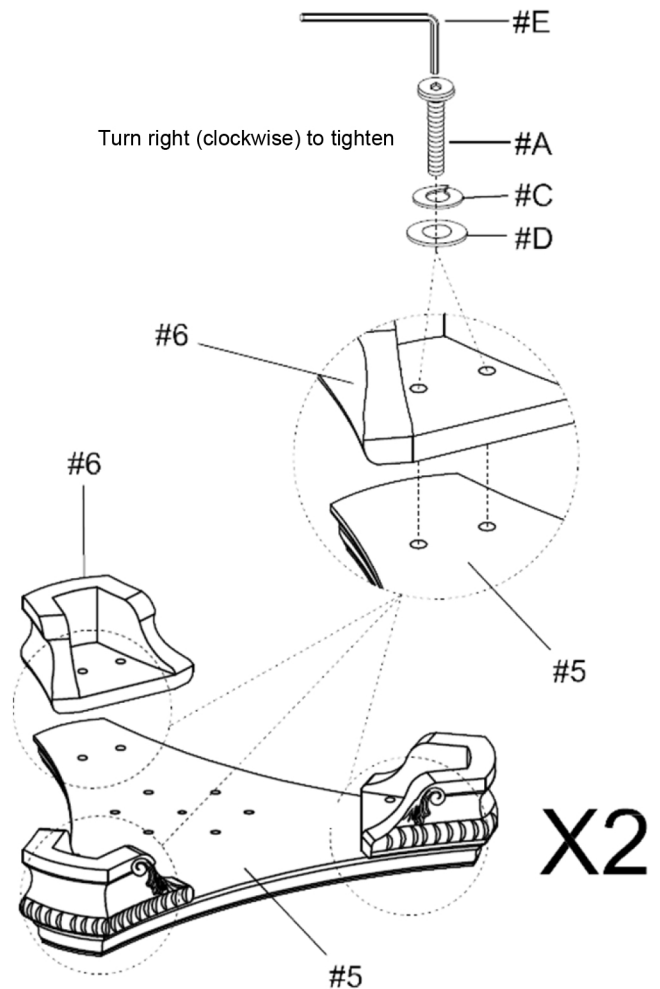


#1

#A x 12 pcs
#C x 12 pcs
#D x 12 pcs

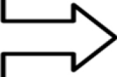


- I. Align the feet (#6) with the pre-drilled holes of the stand base (#5).
- II. Prepare 6 bolt assemblies by inserting FIRST the lock washer (#C) onto the bolt (#A) and then the flat washer (#D) onto the SAME bolt (#A), in that order.
- III. Insert the bolt assemblies through the pre-drilled holes on the feet (#6) and secure those bolts using the Allen wrench (#E) to lock them in with the stand base (#5).
- IV. Repeat the process above to assemble the remaining feet (#6) onto the other stand base (#5).

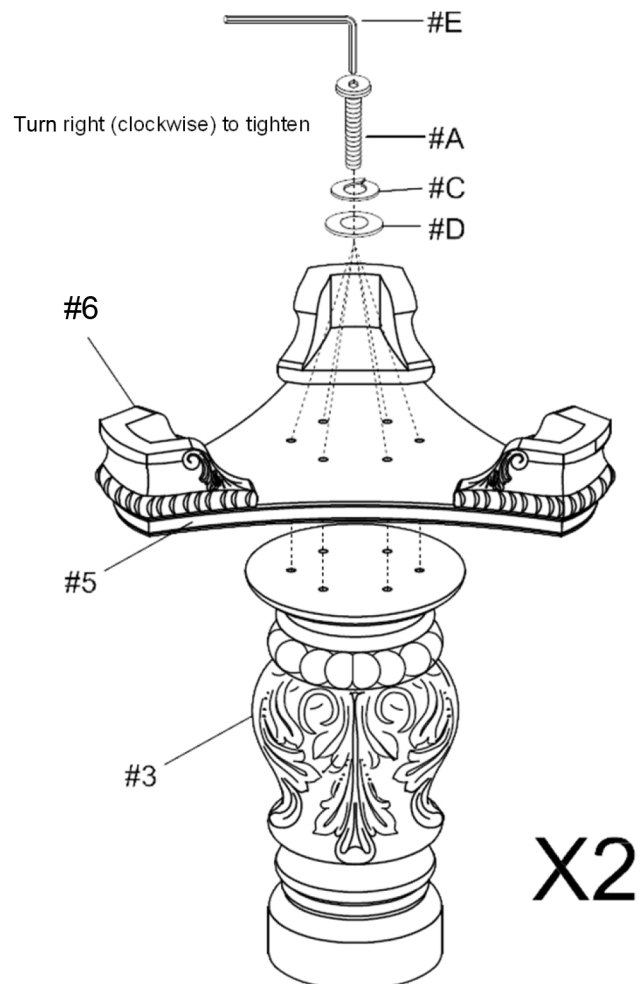


#2

#A x 12 pcs
#C x 12 pcs
#D x 12 pcs



- I. Align the assembled stand base (#5) with the pre-drilled holes of the table stand (#3).
- II. Prepare 6 bolt assemblies by inserting FIRST the lock washer (#C) onto the bolt (#A) and then the flat washer (#D) onto the SAME bolt (#A), in that order.
- III. Insert the bolt assemblies through the pre-drilled holes on the stand base (#5) and secure those bolts using the Allen wrench (#E) to lock them in with the table stand (#3).
- IV. Repeat the process above to assemble the other assembled stand base (#5) onto the other table stand (#3).

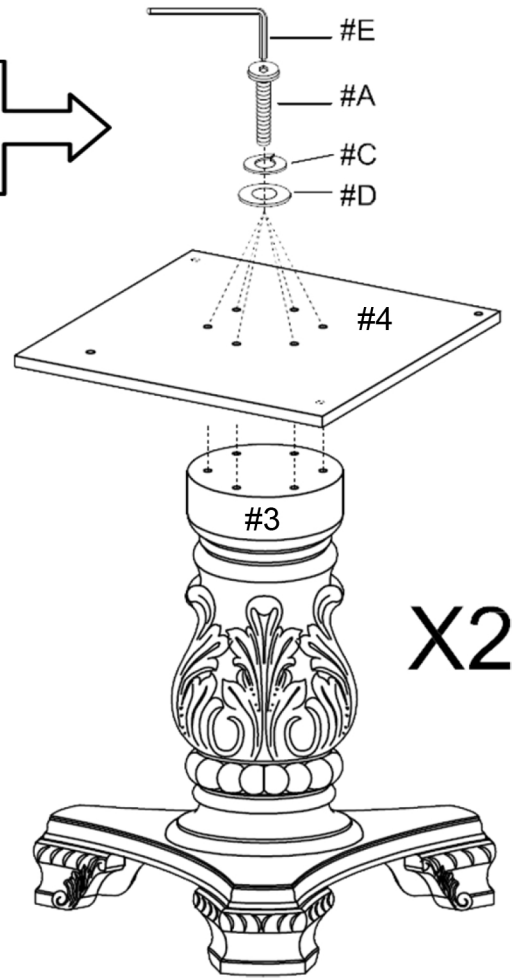




- I. Align the table base (#4) with the pre-drilled holes on top of the table stand (#3).
- II. Prepare 6 bolt assemblies by inserting FIRST the lock washer (#C) onto the bolt (#A) and then the flat washer (#D) onto the SAME bolt (#A), in that order.
- III. Insert the bolt assemblies through the pre-drilled holes on the table base (#4) and secure those bolts using the Allen wrench (#E) to lock them in with the table stand (#3).
- IV. Repeat the process above to assemble the other table base (#4) onto the table stand (#3)

#A x 12 pcs
#C x 12 pcs
#D x 12 pcs

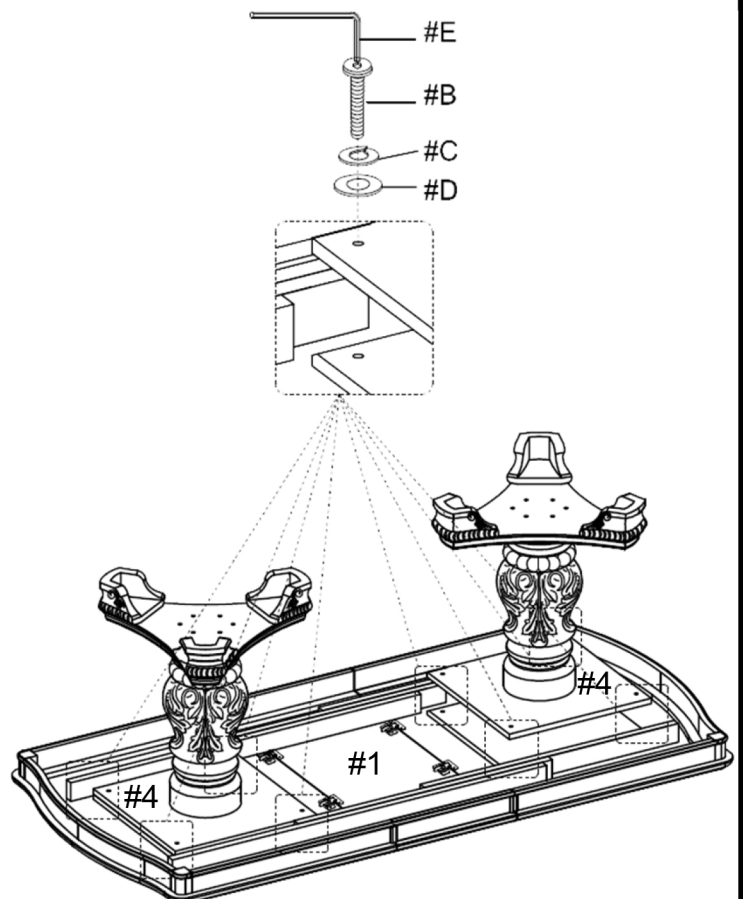
Turn right (clockwise) to tighten



#B x 8 pcs
#C x 8 pcs
#D x 8 pcs

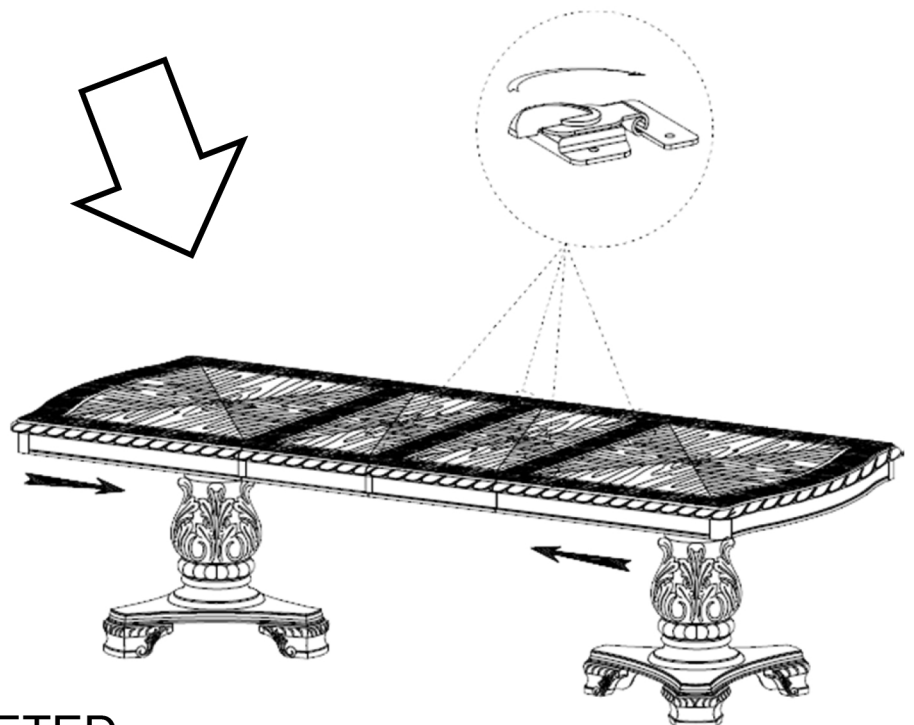
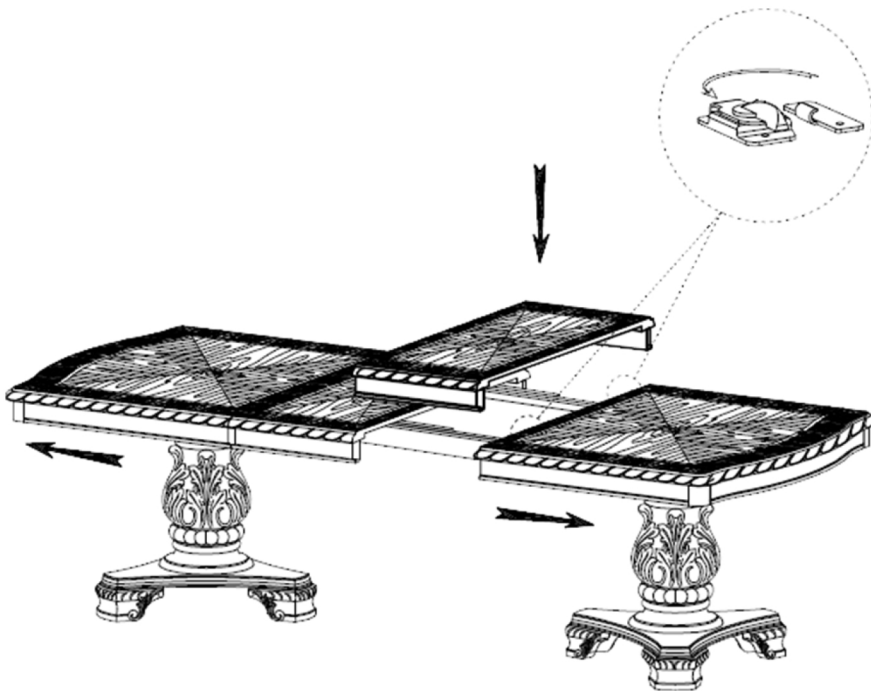
- I. With the help of another person, carefully place the table top (#1) facing down on a protected surface.
- II. Align the assembled table base (#4) in Step 3 with the pre-drilled holes on the bottom of the table top (#1)
- III. Prepare 4 bolt assemblies by inserting FIRST the lock washer (#C) onto the bolt (#B) and then the flat washer (#D) onto the SAME bolt (#B), in that order.
- IV. Insert the bolt assemblies through the pre-drilled holes of the table base (#4) and secure those bolts using the Allen wrench (#E) to lock them in with the table top (#1).
- V. Repeat the process above to assemble the other assembled table base (#4) onto the table top (#1).

Turn right (clockwise) to tighten





- I. Carefully turn the completed table upright. Make sure the table is rested on a flat surface and it does not feel loose or wobbly. If it does, double check that the bolts are secured and properly tighten.
- II. To insert the table leaf (#2) unlock the latches located under the table top (#1).
- III. Once unlocked, slide outward on both ends of the outer-piece table until there is sufficient opening to place the table leaf (#2). Then slide inward on both ends of the outer-piece table until they are touching and sitting flush with the table leaf (#2).
- IV. Secure the parts together by locking the latches located under the table top (#1).



ASSEMBLY IS COMPLETED