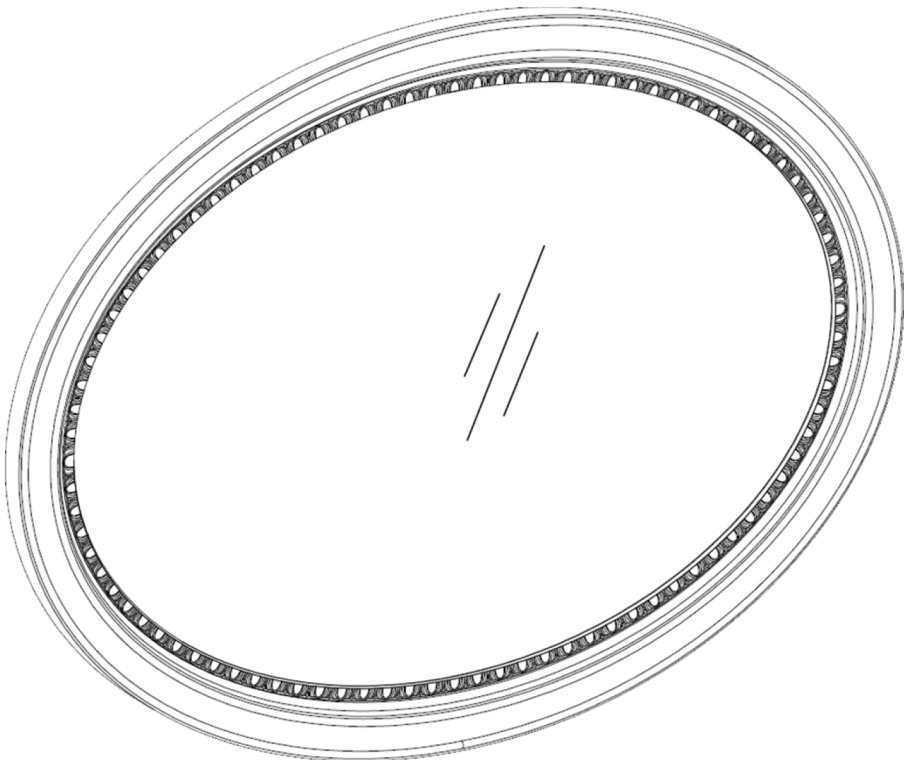


Assembly Instructions



ASSEMBLY RATING

The Assembly Rating is a 5-point system that shows the degree of effort needed in assembling a specific product (with 1 being easy and 5 being difficult). For some products, two persons are recommended.

Tools Required for Assembly:

Phillips Screwdriver



(Not Included)



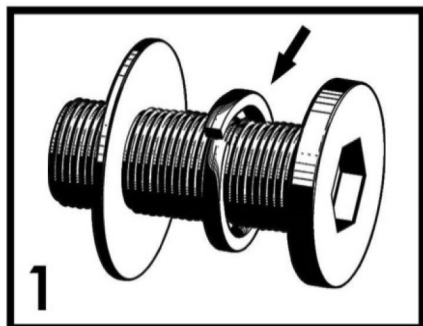
2 PERSONS RECOMMENDED

EASY  DIFFICULT

ASSEMBLY & CARE ADVICE

FOR YOUR FURNITURE TO LAST, CORRECT ASSEMBLY AND PROPER MAINTENANCE ARE NECESSARY. PLEASE FOLLOW THE INFORMATION PROVIDED BELOW TO FULLY ENJOY YOUR FURNITURE.

BASIC ASSEMBLY TECHNIQUES



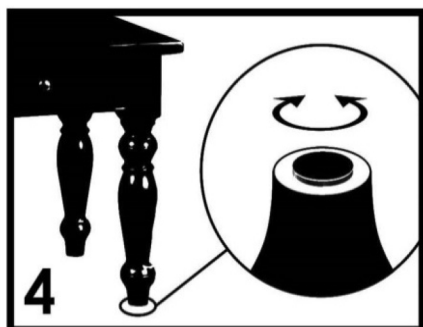
1 When lock or spring washer is used in an assembly, please make sure the lock or spring washer is placed between the larger flat washer and the head of the screw or bolt.



2 Position each part correctly and insert screws or bolts into their respective holes by hand tighten or using the proper hand tool. Only tighten when step is completed or when instructed to do so.



3 Use cardboard or carpet area when assembling furniture to prevent scratches. Make sure the furniture rests on a flat and level surface with each leg evenly touching the floor.



4 Some furniture comes with height adjustment knobs underneath each leg. To lower or to raise each leg, you need to turn clockwise or counterclockwise, respectively.



5 Make sure all parts are properly aligned, then use the appropriate hand tool to completely tighten the bolts or screws. Do not use power tools and do not overtighten.

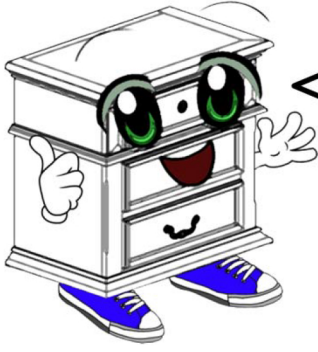


6 Save the instructions and store the Allen wrench or any supplied tool for later maintenance. After two weeks, check and tighten any loose hardware and repeat again every six months thereafter.

IT IS THE USER'S RESPONSIBILITY TO MAINTAIN THE FURNITURE. THE HARDWARE MAY LOOSEN OVER TIME AND MAY CAUSE THE FURNITURE TO BE WOBBLY AND UNABLE TO SUPPORT ITS INTENDED WEIGHT CAPACITY. THIS MAY LEAD TO COLLAPSE AND MAY CAUSE SERIOUS INJURY.



FAILURE TO FOLLOW THE GUIDELINES ABOVE MAY RESULT IN INJURY AND/OR PROPERTY DAMAGE.



Before you begin, please read Page 2 of "Assembly and Care Advice".

And remember, do not tighten until each step is completed or instructed.

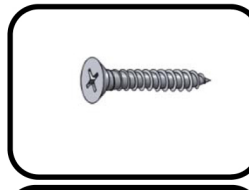
MD

Parts List

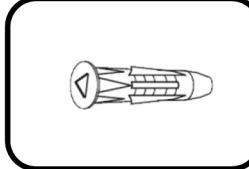


#1 x 1 pc
Mirror

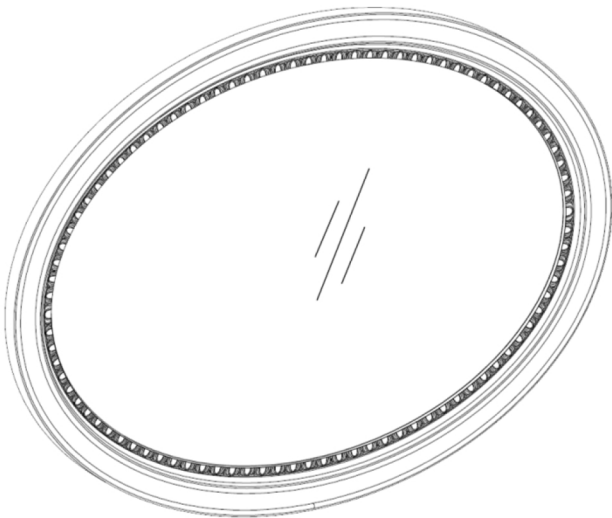
Hardware List



#A x 4 pcs
Screw



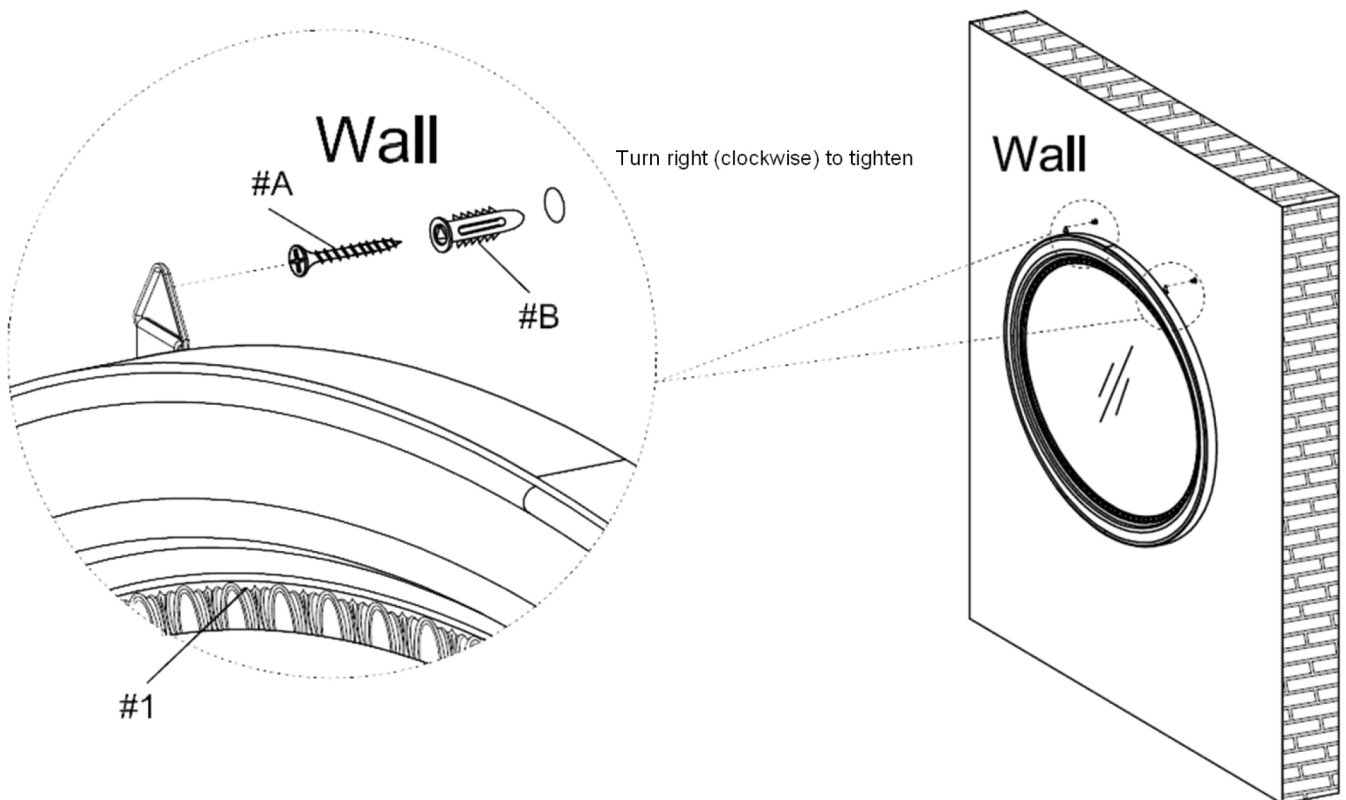
#B x 1 pc
Wall Anchor



Due to the size and/or weight of this product, it is highly recommended that the assembly should be done near the area of its intended location. Make sure you have enough space to move around during the assembly.

ALWAYS have at least two people to help with transporting and assembling the product to avoid any potential injury and/or damage.

- I. Wall Mount to Drywall: Select a location where you want the mirror to be mounted. Mark on the wall the two locations where the wall anchors (#B) will be placed. Drill a hole for each wall anchor (#B) slightly smaller than the size of the screw. Push the wall anchor (#B) as far as it will go with your finger. Tap gently with a hammer until the wall anchor (#B) is flush with the wall surface. Insert the screws (#A) into the wall anchors (#B) and tighten those screws using a Phillips screwdriver until secured but leaving enough room to hang the mirror. **Note:** Due to the weight of the mirror, it is highly recommended to secure the mirror to the wood stud.
- II. Wall Mount to Wood Stud (Highly Recommended): Locate the wood stud behind the drywall. Repeat the process above using only the screws (#A). For securing onto the wood stud, wall anchor is not needed.



ASSEMBLY IS COMPLETED