



Before you begin, please read Page 2 of "Assembly and Care Advice".

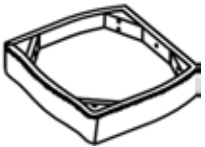
And remember, do not tighten until each step is completed or instructed.

MD

Parts List



#1 x 1 pc x 2
Backrest w/Legs



#2 x 1 pc x 2
Seat



#3 x 2 pcs x 2
Front Leg



X 2

Hardware List



#A x 4 pcs x 2
Bolt 5/16"x3"



#B x 4 pcs x 2
Bolt 5/16"x2-3/4"



#C x 1 pc x 2
Bolt 5/16"x1-3/8"



#D x 9 pcs x 2
Lock Washer



#E x 9 pcs x 2
Flat Washer



#F x 1 pc
Allen Wrench



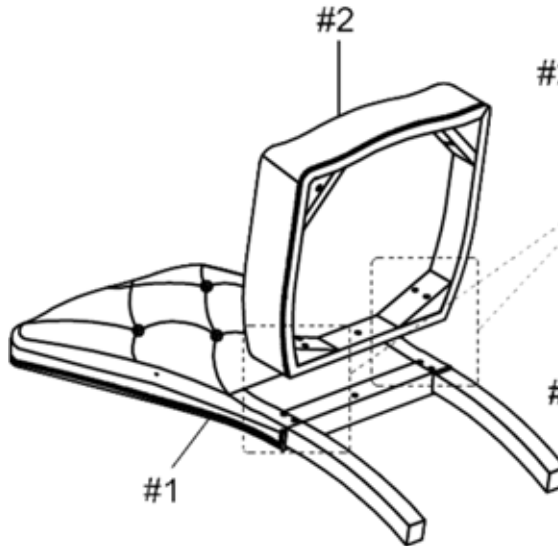
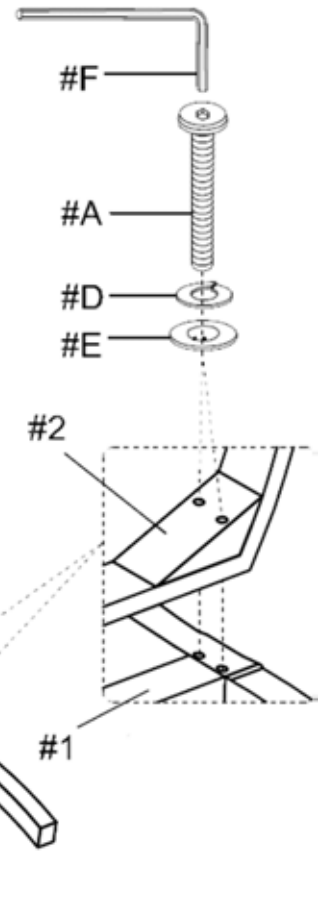
Note: The above parts and hardware are shown for a complete assembly of ONE chair. However, the actual parts and hardware (with an exception of the Allen wrench) in the box will be twice the quantities listed to include the assembly of the second chair.



Turn right (clockwise) to tighten

- I. Align the seat (#2) with the pre-drilled holes of the backrest with legs (#1).
- II. Prepare 4 bolt assemblies by inserting FIRST the lock washer (#D) onto the bolt (#A) and then the flat washer (#E) onto the SAME bolt (#A), in that order.
- III. Insert the bolt assemblies through the pre-drilled holes in the corners of the seat (#2) and secure those bolts using the Allen wrench (#F) to lock them in with the backrest with legs (#1).

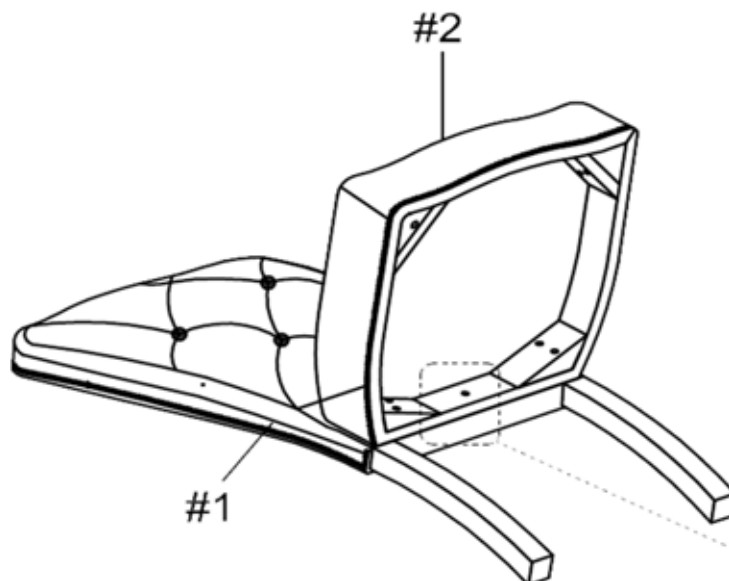
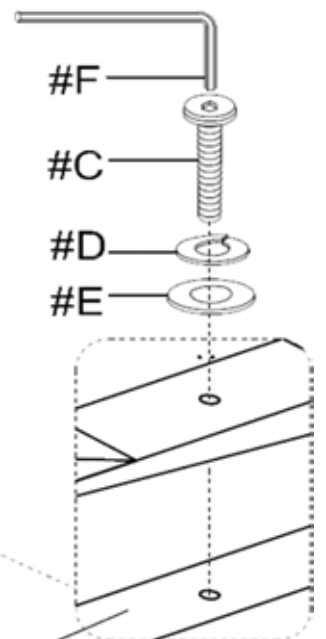
#A x 4 pcs
 #D x 4 pcs
 #E x 4 pcs



- I. Prepare a bolt assembly by inserting FIRST the lock washer (#D) onto the bolt (#C) and then the flat washer (#E) onto the SAME bolt (#C), in that order.
- II. Insert the bolt assemblies through the center hole of the seat (#2) and secure that bolt using the Allen wrench (#F) to lock it in with the backrest with legs (#1).

#C x 1 pc
 #D x 1 pc
 #E x 1 pc

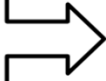
Turn right (clockwise) to tighten



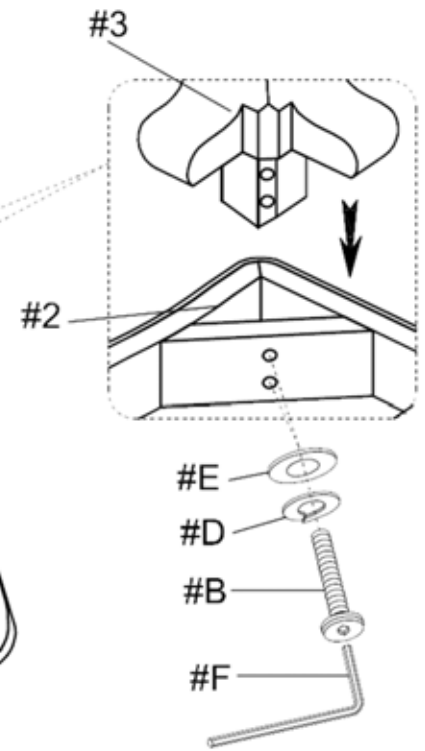
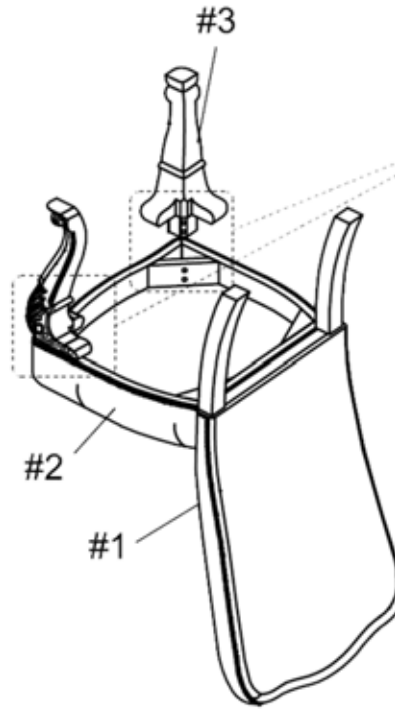
#1



#B x 4 pcs
#D x 4 pcs
#E x 4 pcs



- I. Align the front legs (#3) with the pre-drilled holes on the corners of the seat (#2).
- II. Prepare 4 bolt assemblies by inserting FIRST the lock washer (#D) onto the bolt (#B) and then the flat washer (#E) onto the SAME bolt (#B), in that order.
- III. Insert the bolt assemblies through the pre-drilled holes in the corners of the seat (#2) and secure those bolts using the Allen wrench (#F) to lock them in with the front legs (#3).



Turn right (clockwise) to tighten



Carefully turn the completed chair upright. Make sure the chair is rested on a flat surface and it does not feel loose or wobbly. If it does, double check that the bolts are secured and properly tighten.



ASSEMBLE EVERYTHING EXACTLY THE SAME FOR THE SECOND CHAIR.