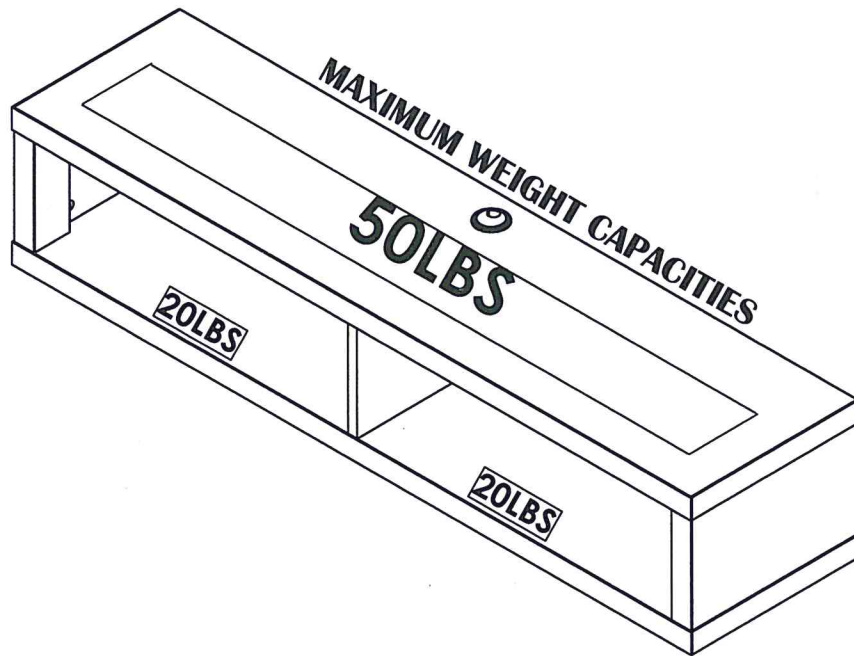


MODEL SE350

WALL MOUNTED AV CONSOLE ASSEMBLY INSTRUCTIONS

MARTIN
FURNITURE



CONTACT US FIRST

parts@martinfurniture.com

1-800-268-5669

MONDAY-FRIDAY

7am-5pm PST

10am-8pm EST

THIS PRODUCT IS DESIGNED FOR WALL MOUNTED TV's DO NOT
PLACE TV DIRECTLY ON CONSOLE.

THE WALL MUST BE CAPABLE OF SUPPORTING THE WEIGHT OF
THE "LOADED" UNIT AND ANY OTHER ITEMS ATTACHED TO THE
WALL.

MANUFACTURER IS NOT RESPONSIBLE FOR DAMAGE OR
INJURY CAUSED BY INCORRECT ASSEMBLY OR USE.

IF A PART IS NEEDED PLEASE NOTE:

MODEL #

DATE OF PURCHASE

PURCHASE LOCATION

SERIAL # ON BOX

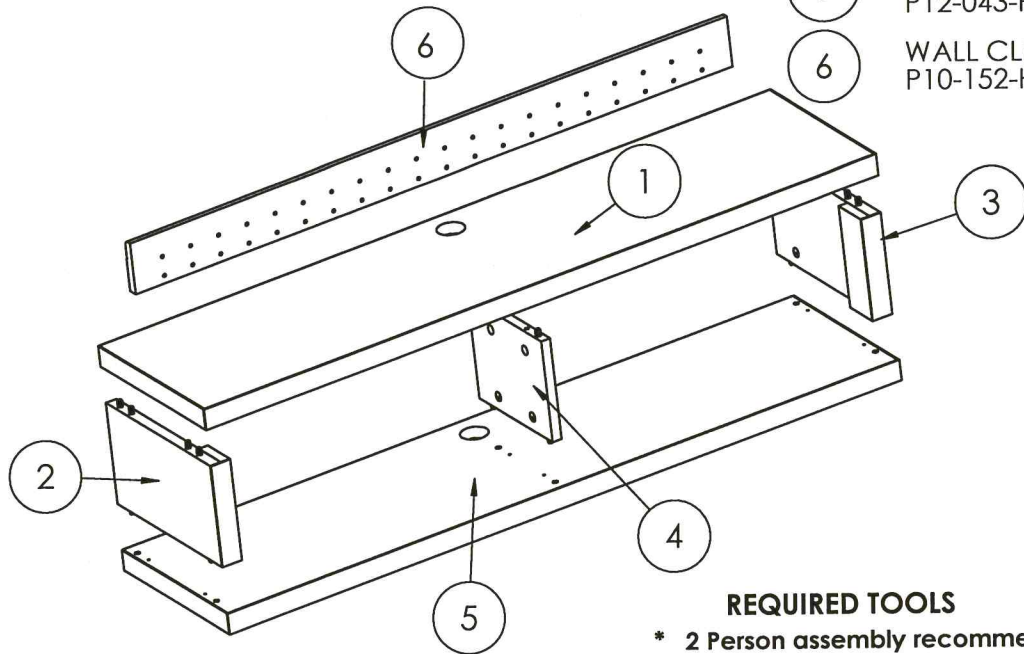
PART # FROM INSTRUCTIONS
(SEE PAGE 2) YOUR ADDRESS AND
CONTACT INFORMATION

WARNING

THIS PRODUCT CONTAINS SMALL ITEMS THAT COULD BE A CHOKING HAZARD IF SWALLOWED.

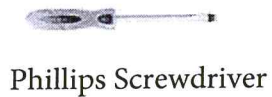
PARTS

- 1 TOP
P12-010-H11-03
- 2 LEFT SIDE PANEL
P12-020-H11-02
- 3 RIGHT SIDE PANEL
P12-021-H11-01
- 4 CENTER DIVIDER
P11-052-H11-01
- 5 BOTTOM SHELF
P12-043-H11-01
- 6 WALL CLEAT
P10-152-H11-02



REQUIRED TOOLS

* 2 Person assembly recommended



Level



CAUTION

Do not over tighten any screw. the last few turns of each screw should be done very slowly or by hand.

Power Drill

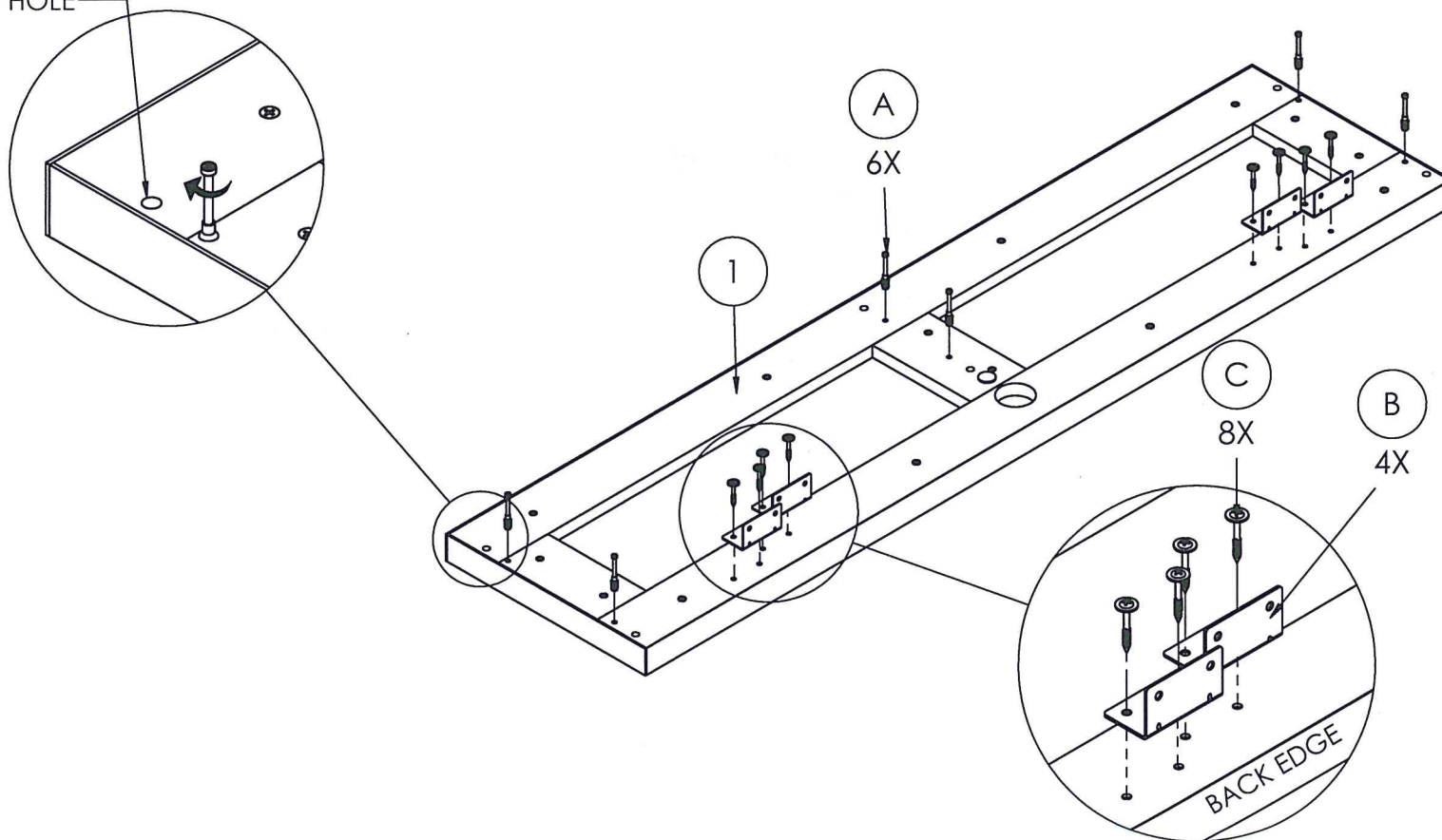
For mounting wall cleat only

HARDWARE

- A CAM LOCK DOWEL [X6] (ACTUAL SIZE)
- B L. BRACKET [X4]
- C PHIL RDN WASHER [8X] (ACTUAL SIZE)
- D BARREL NUT BLACK [X6] (ACTUAL SIZE)
- E CAM LOCK [X6] (ACTUAL SIZE)
- F 4mm HEX WRENCH [X1]
- G HILO. SCREW [X6] (ACTUAL SIZE)
- H MODZ10X0350 [X6] (ACTUAL SIZE)
- I 6 X 5/8 PHIL FLAT PBS BLACK [x4] (ACTUAL SIZE)
- J GROMMET [X1]

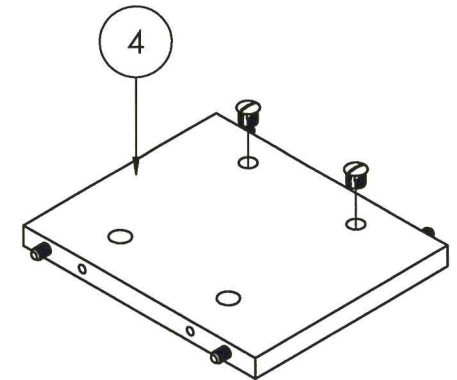
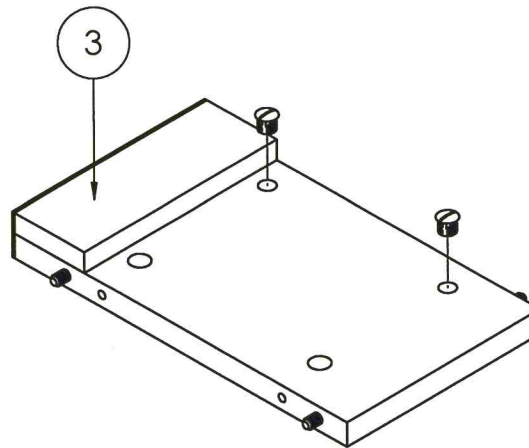
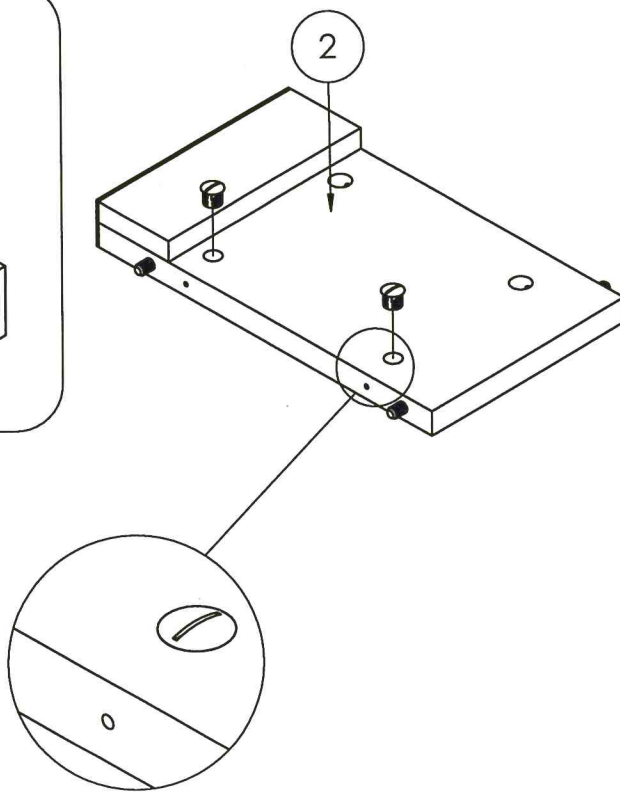
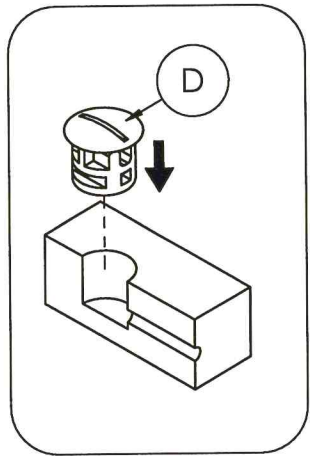
STEP 1. INSTALL SIX CAM LOCK DOWELS (A) INTO TOP (1).
INSTALL FOUR L-BRACKETS (B) INTO THE LOCATOR HOLES ON THE
TOP (1) USING EIGHT PHILLIPS WASHER SCREWS (C).

WOOD DOWEL
LOCATOR HOLE



STEP 2. INSERT TWO BARREL NUTS (D) INTO THE LEFT SIDE (2), RIGHT SIDE (3) AND CENTER DIVIDER (4).

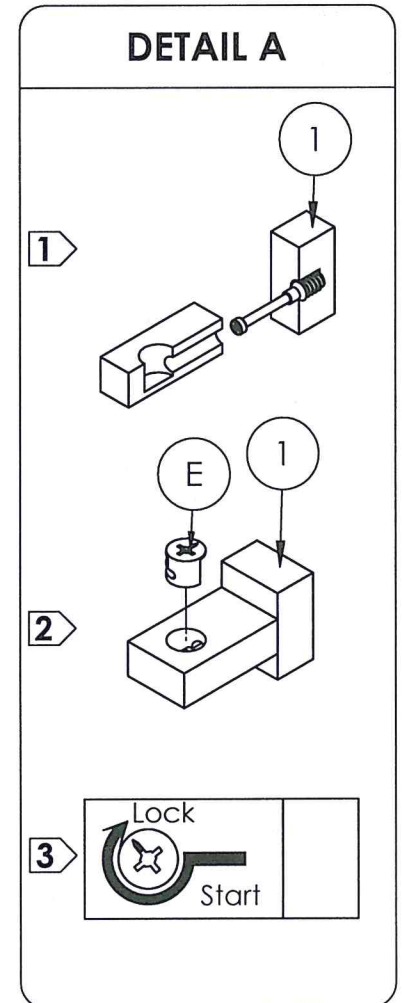
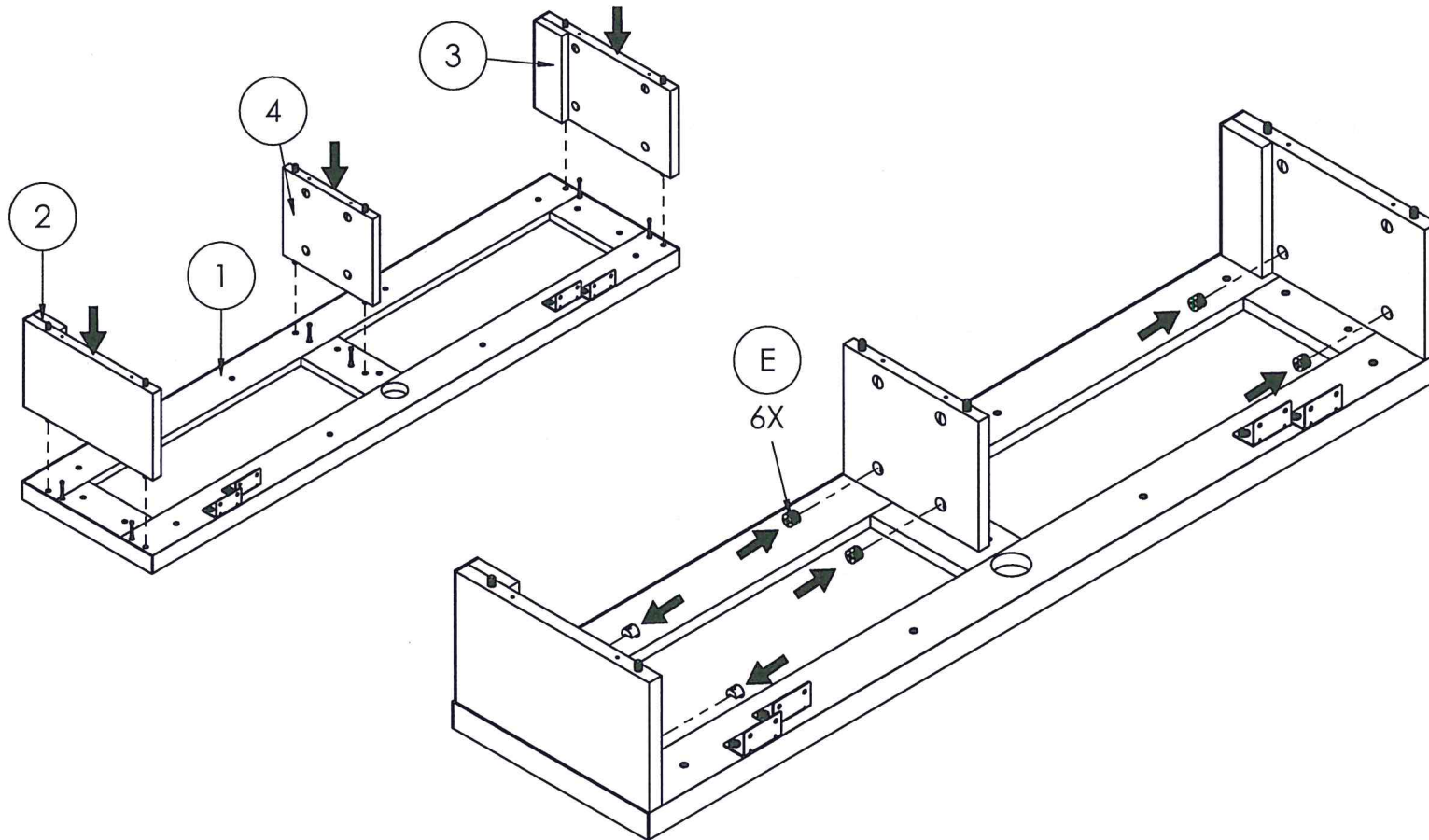
ALIGN SLOT ON BARREL NUT SO THAT IT "POINTS" TO THE EDGE OF THE PANEL TO RECEIVE HILO SCREW TO RECEIVE HILO SCREW



STEP3. POSITION LEFT SIDE PANEL (2) AND RIGHT SIDE PANEL (3) TO THE EDGES OF THE TOP (1) [DETAIL A 1]

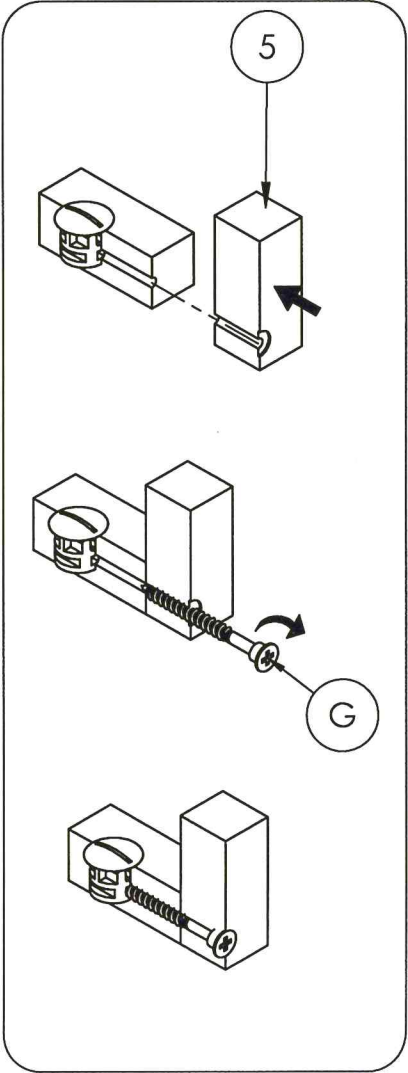
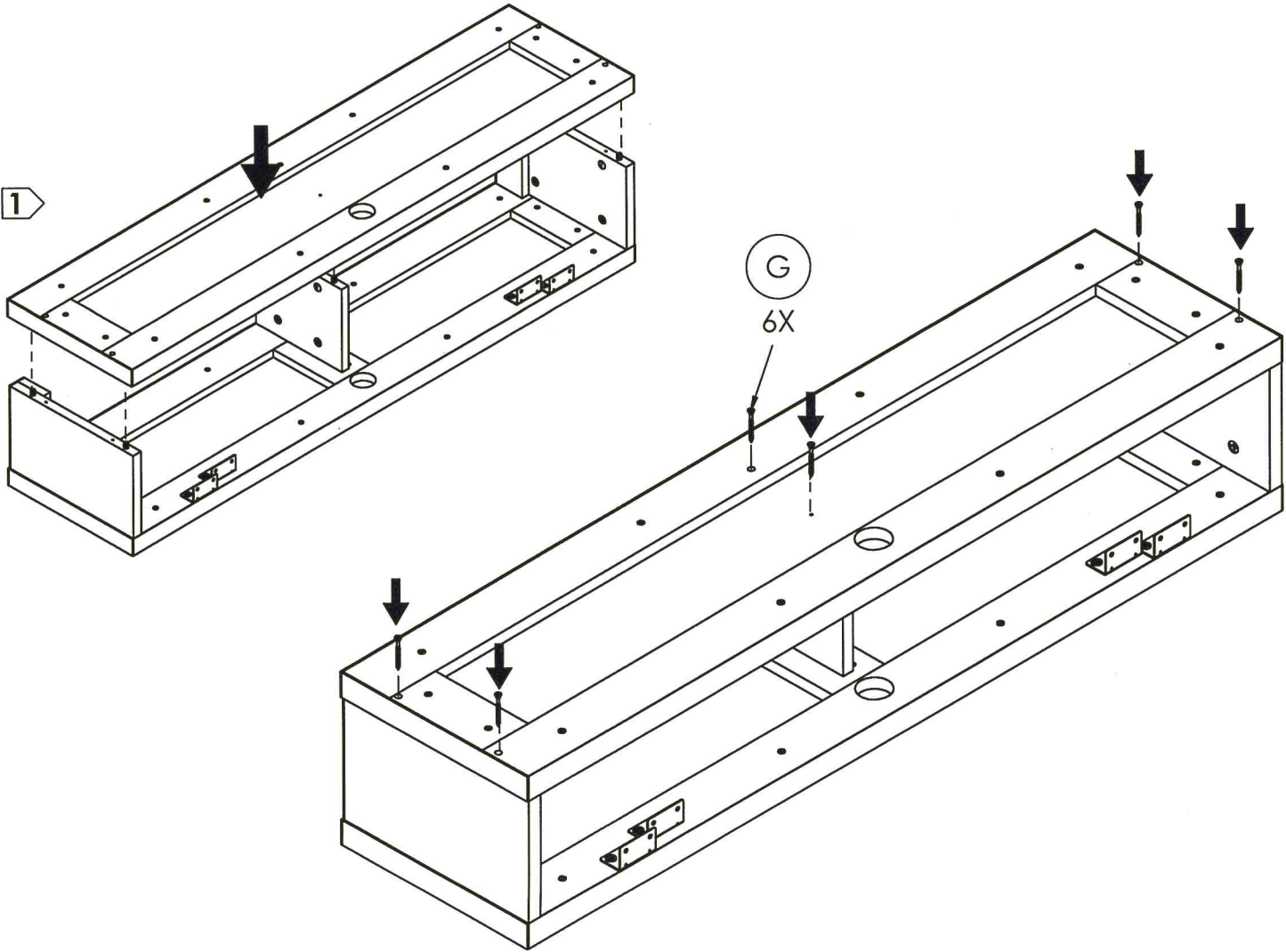
POSITION CENTER DIVIDER (4) TO CENTER OF THE TOP (1)

ALIGN AND INSTALL SIX CAMS LOCKS (E) INTO HOLES [DETAIL A 2] TIGHTEN USING ALLEN WRENCH (F). [DETAIL A 3]



STEP 4. ALIGN THE BOTTOM SHELF (5) ONTO BASE SUBASSEMBLY. **1**

USE SIX HILO SCREWS (G) TO ATTACH THE BOTTOM SHELF (5).



CAUTION

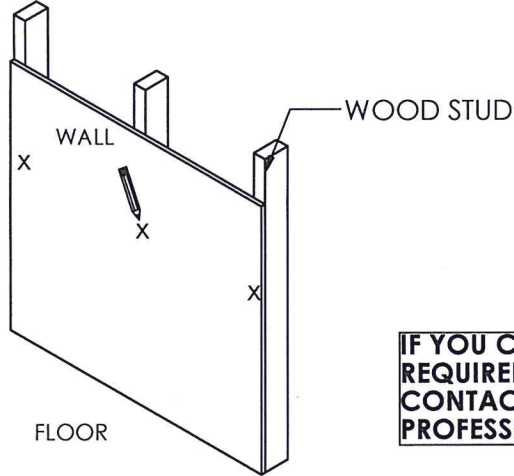
- AVOID PERSONAL INJURIES AND PROPERTY DAMAGE!
- DRYWALL COVERING WALL MUST NOT EXCEED 5/8" (16mm)
- MINIMUM WOOD STUD SIZE: COMMON 2X4, NOMINAL 1-1/2"X3-1/2" (38mmX89mm)

- MINIMAL HORIZONTAL SPACING BETWEEN FASTENERS; 16" (406mm)
- BE SURE TO SCREW INTO THE CENTER OF THE WOODEN WALL STUD.

WOOD STUD WALL MOUNT INSTRUCTION SHEET

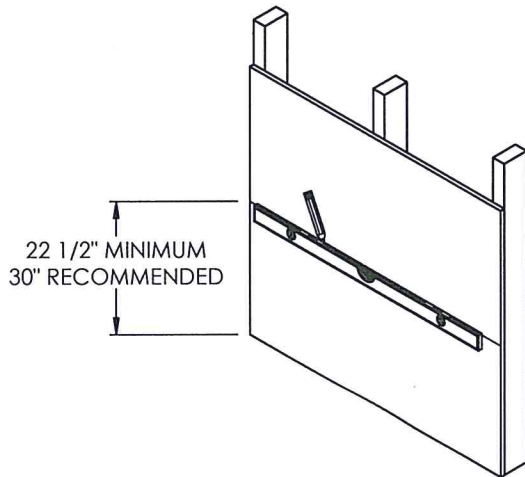
Determine where you want to hang the Console.
Make sure you are able to attach it to 3 wall studs.

STEP 1. Locate wood studs.

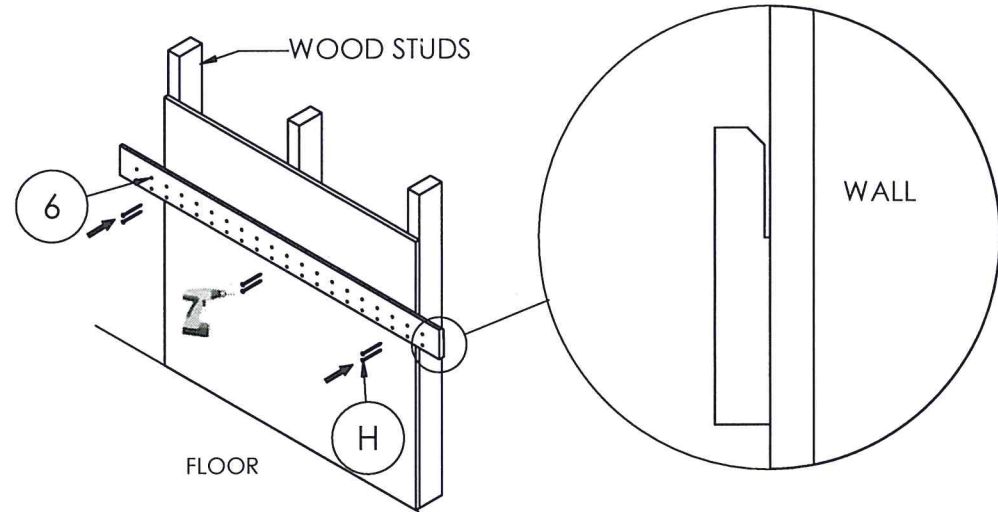


**IF YOU CAN NOT LOCATE THE
REQUIRED WOOD STUDS,
CONTACT YOUR LOCAL
PROFESSIONAL.**

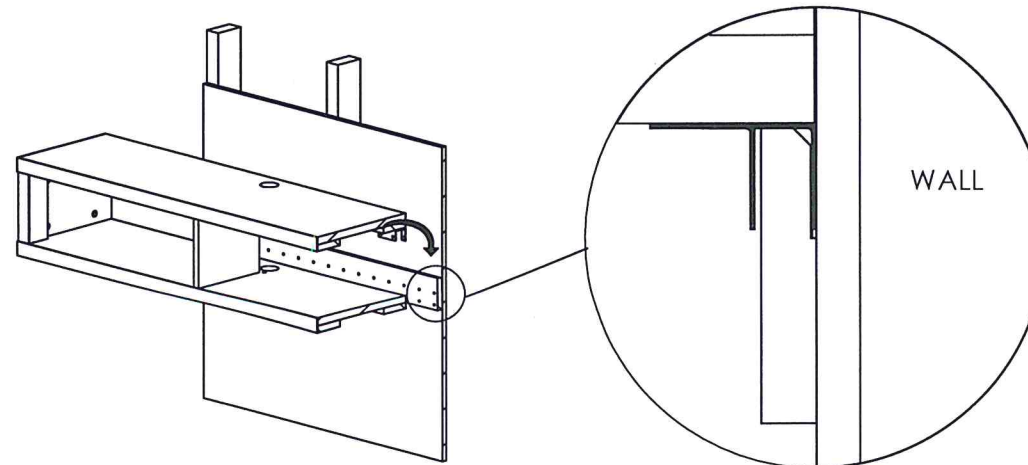
STEP 2. Using a lever, draw a horizontal line on the wall.



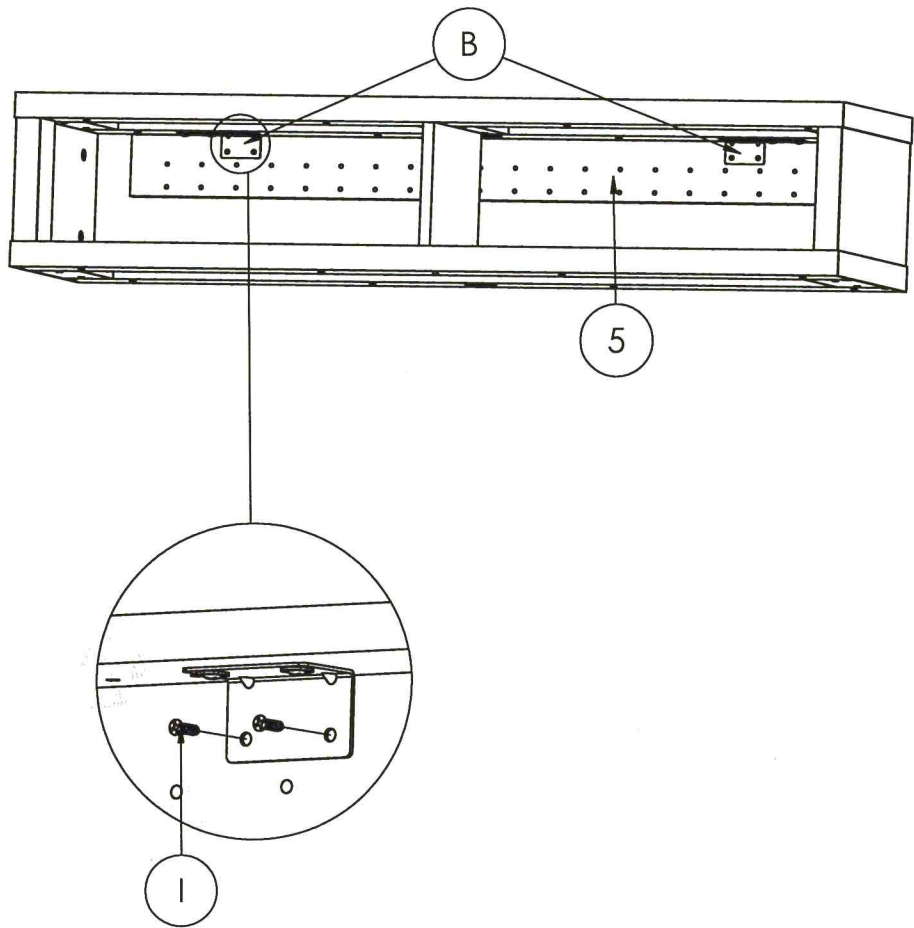
STEP 3. Attach the wall cleat (6) with notch facing the wall, using six modz screws (H) and using the line (step2) to make sure it is level.



STEP 4. Mounting the console requires two people, carefully lower the console brackets (B) onto the wall cleat (6) until the unit fits tightly into the wall cleat.



STEP 5. Secure the console to the wall cleat (6) using four #6 bx 5/8 screws (I) through the L-bracket (B).



STEP 6. Install grommet (J) into Top (1).

