



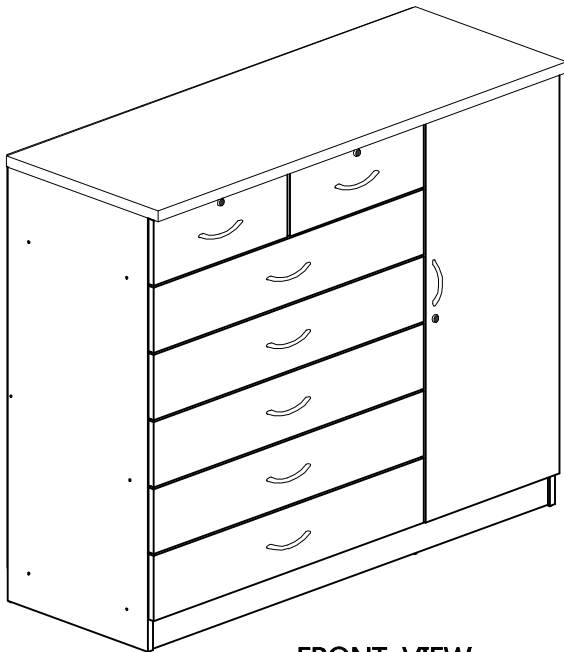
Hodedah

www.hodedah.com
support@hodedah.com

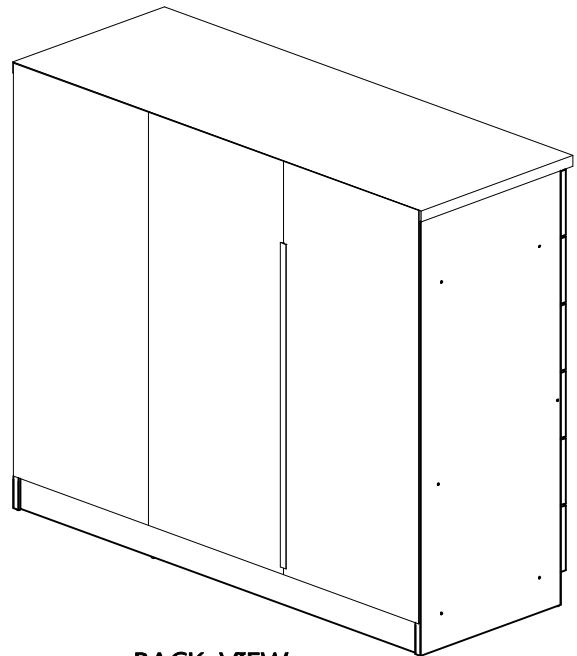
ASSEMBLY INSTRUCTIONS HI 71DR (CHEST CABINET)

~ Before assembly, please read the instructions ~
~ Keep these instructions for future reference ~

~ Follow these steps to assemble the Chest Cabinet ~



FRONT VIEW



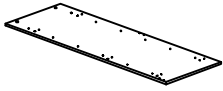
BACK VIEW



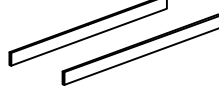
THIS INSTRUCTION BOOKLET CONTAINS IMPORTANT INFORMATION ABOUT ASSEMBLY AND SAFETY. PLEASE READ AND KEEP FOR FUTURE REFERENCE.

Parts

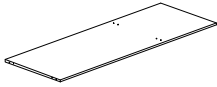
A Left Side Panel
1 Pc.
1200x 413 x 15mm



B Kick Panels (Front & Back)
2 Pcs.
1165 x 89 x 15mm



C Bottom Panel
1 Pc.
1165 x 412 x 15mm



D Front Strengthening Panel
1 Pc.
773 x 76 x 15mm



E Back Strengthening Panel
1 Pc.
773 x 76 x 15mm



F Strengthening Panel -Back
1 Pc.
773 x 76 x 15mm



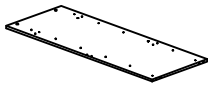
G Strengthening Panel -Front
1 Pc.
773 x 76 x 15mm



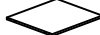
H Divider Panel
1 Pc.
181x 413 x 15mm



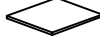
I Stand Panel
1 Pc.
1095.5x 412 x 15mm



J Partition Panel
1 Pc.
376x 340 x 15mm



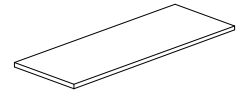
Y Adjust Panel
2 Pcs.
376x 340 x 15mm



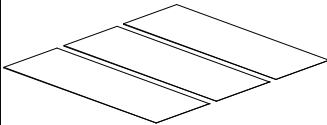
K Right Side Panel
1 Pc.
1200x 413 x 15mm



L Top Panel
1 Pc.
1200 x 445 x 30mm



M Back Panels
3 Pcs.
1140 x 397 x 3mm



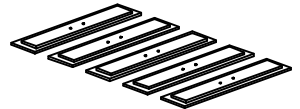
N Left Drawer Front Panel -Small Drawer
1 Pc.
394 x 180 x 15mm



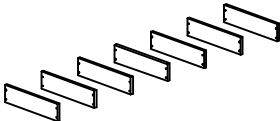
O Right Drawer Front Panel -Small Drawer
1 Pc.
394 x 180 x 15mm



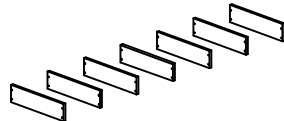
P Drawer Front Panels -Big Drawers
5 Pcs.
793 x 180 x 15mm



Q Drawer - Left Side Panels
7 Pcs.
394 x 121 x 15mm



R Drawer - Right Side Panels
7 Pcs.
394 x 121 x 15mm



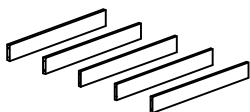
S Drawer End Panels -Small Drawers
2 Pcs.
324 x 111 x 15mm



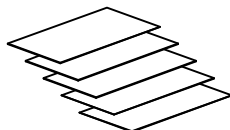
T Drawer Base Panels-Small Drawers
2 Pcs.
353x 394 x 3mm



U Drawer End Panels -Big Drawers
5 Pcs.
714 x 111 x 15mm



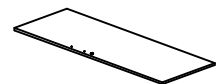
V Drawer Base Panels -Big Drawers
5 Pcs.
746 x 394 x 3mm



W Drawer Base Supporting Panels
5 Pcs.
394 x 51 x 15mm

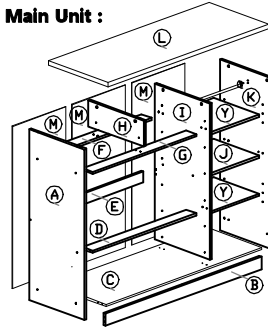


X Door Panels
1 Pc.
1106 x 394 x 15mm

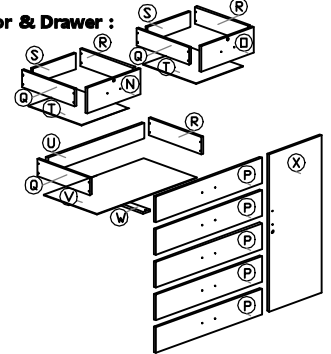


The parts of the product are packed in one box.
There are inner box(es) or package(s) that included components and accessories required to complete the assembly

I) Main Unit :



II) Door & Drawer :

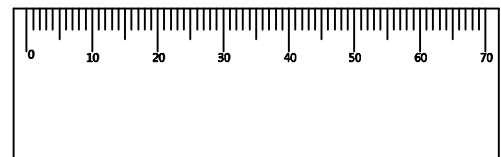


Hardwares And Accessories

<p>1 Screw M6 x 40mm 20 Pcs.</p> <p>Pvc Cap 20 Pcs.</p>	<p>2 Screw M4 x 32mm 66 Pcs.</p>	<p>3 Screw M3.5 x 14mm 58 Pcs.</p> <p>* For #16 Drawer Slides</p>	<p>4 Handle 8 Pcs.</p> <p>Handle Screw M4 x 20mm 16 Pcs.</p>	<p>5 Pvc Dowel 33 Pcs.</p>	<p>6 Mini Fix 8 Sets.</p> <p>Pvc Cap 8 Pcs.</p>
<p>7 Protection Nail 5 Pcs.</p>	<p>8 Nail 110 Pcs.</p>	<p>9 Allen Key 1 Pc.</p>	<p>10 SHELF SUPPORT 8 Pcs.</p>	<p>11 SCREW M 10 X 1/2 MM 6 Pcs.</p>	<p>12 HINGES 3 Pcs.</p>
<p>13 Lock 3 Sets.</p>	<p>14 Screw M6.2 x 10mm 28 Pcs.</p> <p>* For #13 Drawer Slides</p>	<p>15 Drawer Slide - A 14 Pcs.</p> <p>* Fix On Side Panels ⊗ ⊗ ⊗</p>	<p>16 Drawer Slide - B 14 Pcs.</p> <p>* Fix On Drawer Side Panels</p>	<p>17 H-PROFILE 1 Pc.</p>	<p>18 V-BRACKET 2 Pcs.</p>
<p>19 HANGING ROD 1 Pc.</p>					

▲ IMPORTANT
Check the measure of the bolts on the scale below or with a measuring tape before applying them in the parts

Observe correctly the application and the position of each bolt accessory, as the step-by-step instructions, before applying them in the parts.



Required Or Recommended Tools

<p>Sample Screwdriver</p>	<p>Sample Hammer</p>	<p>Sample Measuring Tape</p>	<p>Sample Electric Screwdriver</p>
---------------------------	----------------------	------------------------------	------------------------------------



IMPORTANT!
The required or recommended tools for assembly are not supplied with the product.



Hodedah

www.hodedah.com
support@hodedah.com

- This product contains small components, please ensure that they are kept away from small children.
- THIS INSTRUCTION BOOKLET CONTAINS **IMPORTANT** SAFETY INFORMATION. PLEASE READ AND KEEP FOR FUTURE REFERENCE.



DO NOT RETURN PRODUCT TO THE STORE.

If a part is missing or damaged, email our customer service. We will gladly ship your replacement parts **FREE** of charge.

Need Parts or Assistance?

email us at

support@hodedah.com

For prompt, reliable service; please have your assembly manual ready.



Hodedah

www.hodedah.com
support@hodedah.com

Thank you for purchasing from Hodedah

**To learn more about hodedah and our products visit
www.hodedah.com**

READ BEFORE BEGINNING ASSEMBLY

- Read each step carefully. It is very important that each step of instruction is performed in the correct order. If these steps are not followed in sequence, assembly difficulties will occur.
- Make sure all parts are included. Most parts are labelled or stamped on the raw edge.
- Work in spacious area, preferably on a carpet, near the place the unit will be used.
- Do not use power tools to assemble your furniture. Power tools may strip or damage the parts.

HELPFUL HINTS

- Call us if you need assistance.
- Move your new furniture carefully, with two people lift and carry the unit to it's new location.
- Never push, drag or pull your furniture (especially on carpet).

Warranty Information

Hodedah warrants this product to be free from defects in material and workmanship agrees to remedy any such defect. This warranty covers one year from the date of original purchase. This is solely limited to be repair or replacement of defective parts and no assembly labor is included.

This warranty does not apply to any product which has been improperly assembled, subjected to misuse or abuse or which has been altered or repaired in any way.

To obtain warranty service, purchaser must present original bill of sale. Components repaired or replaced warranted through the remainder of the original warranty period only. The defective components will be repaired or replaced without charge, subject to the terms and conditions described above.

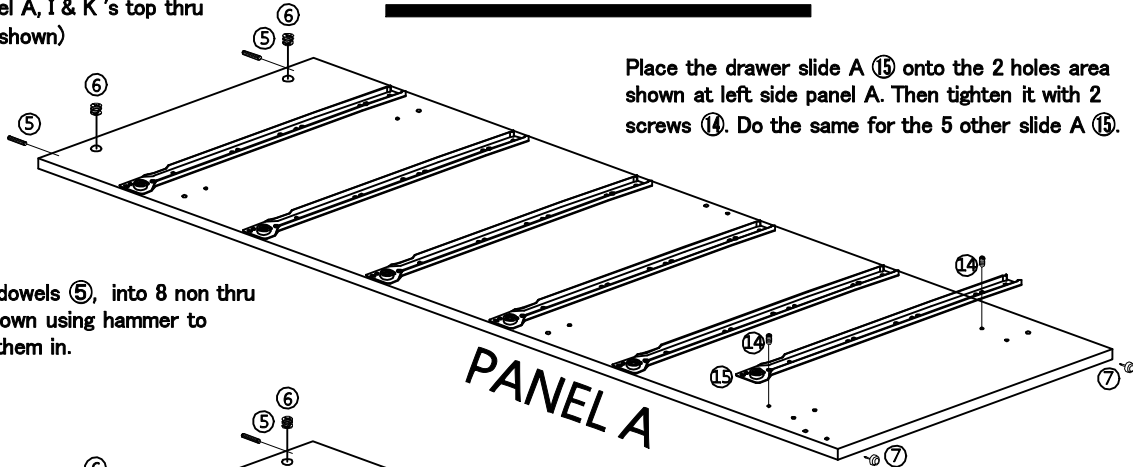
For help with assembly, identifying parts, product information or to order parts, please contact us:

Call us at:
718-456-0505
Monday-Friday
9:00am-5:00pm

Visit our website:
www.hodedah.com

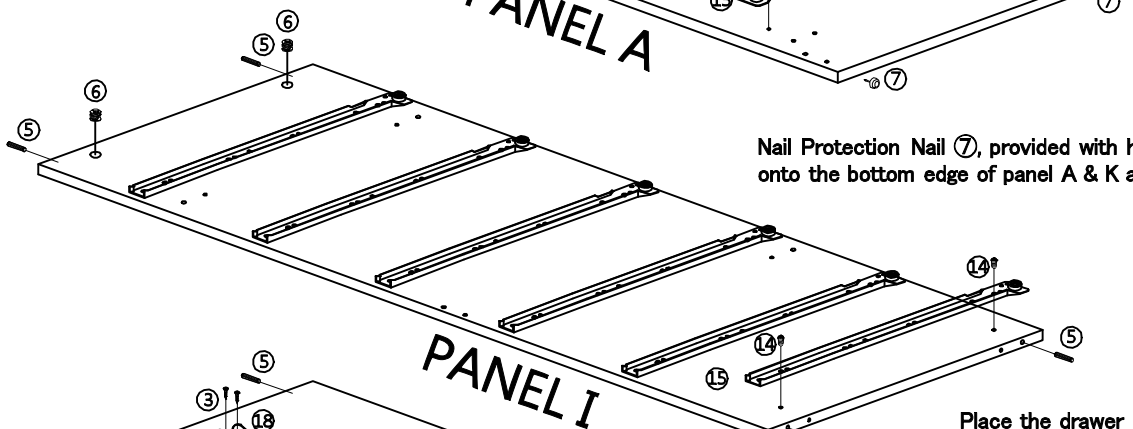
Pre - Assembly

Insert the mini fix ⑥ (nuts) with the cross arrow mark facing upward and aim to panel A, I & K's top thru holes. (As shown)



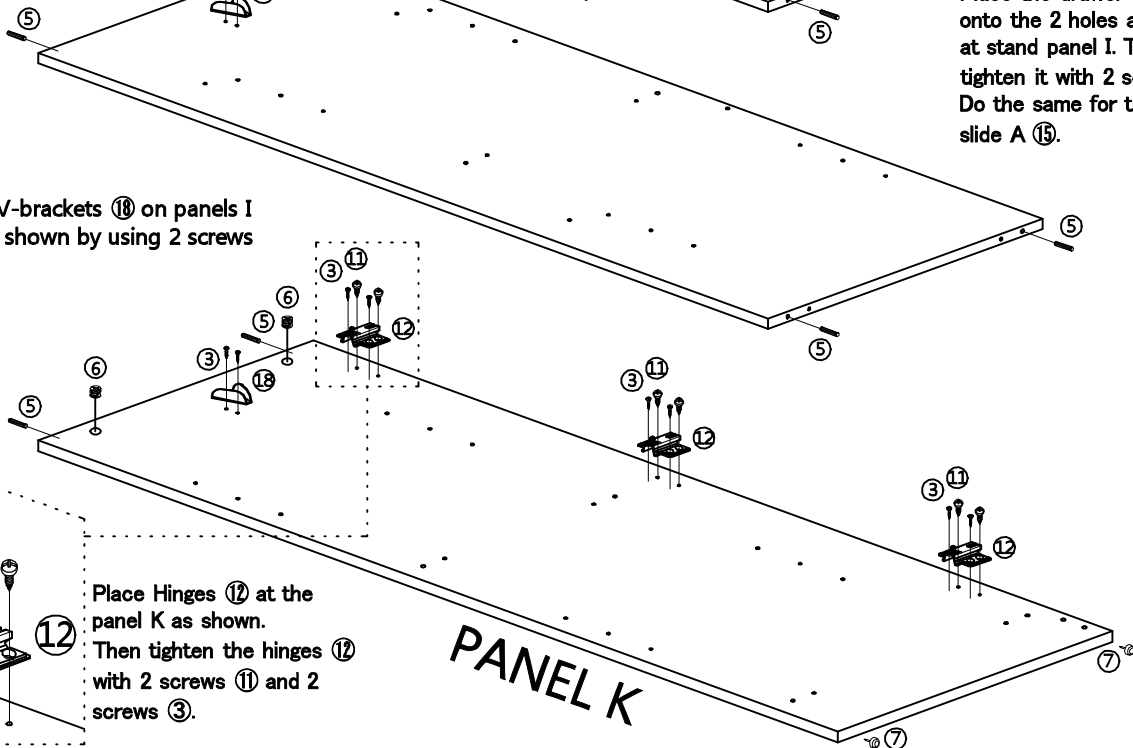
Place the drawer slide A ⑮ onto the 2 holes area shown at left side panel A. Then tighten it with 2 screws ⑭. Do the same for the 5 other slide A ⑮.

Insert pvc dowels ⑤, into 8 non thru holes as shown using hammer to gently tap them in.



Nail Protection Nail ⑦, provided with hammer onto the bottom edge of panel A & K as shown.

Tighten V-brackets ⑩ on panels I and K as shown by using 2 screws ③.

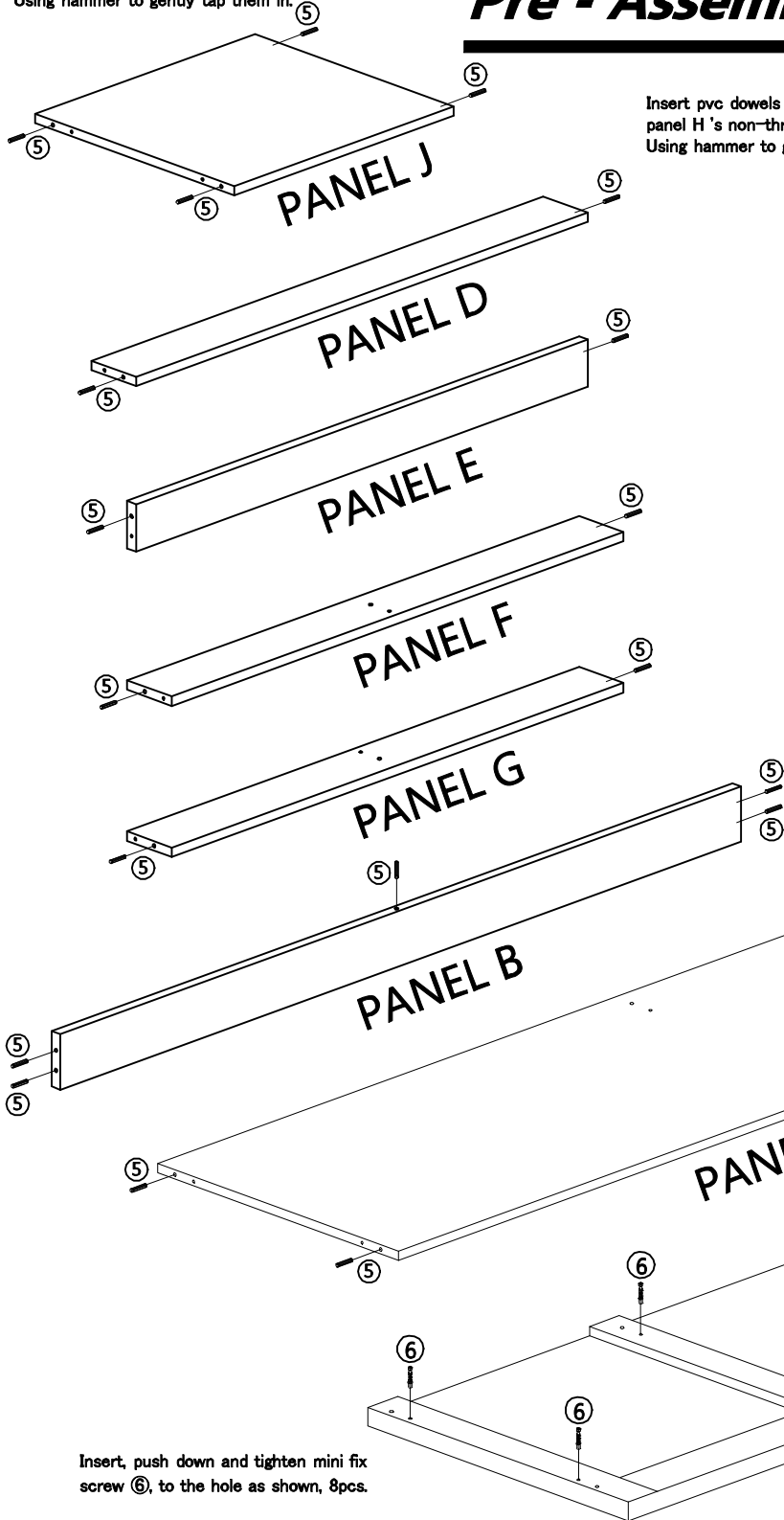


Place the drawer slide A ⑮ onto the 2 holes area shown at stand panel I. Then tighten it with 2 screws ⑭. Do the same for the 5 other slide A ⑮.

Place Hinges ⑫ at the panel K as shown. Then tighten the hinges ⑫ with 2 screws ⑪ and 2 screws ③.

Insert pvc dowels ⑤ to both end of the panels B, C, D, E, F, G & J as shown. Using hammer to gently tap them in.

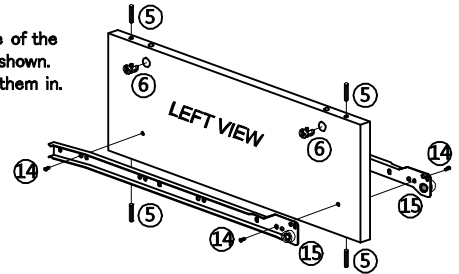
Pre - Assembly



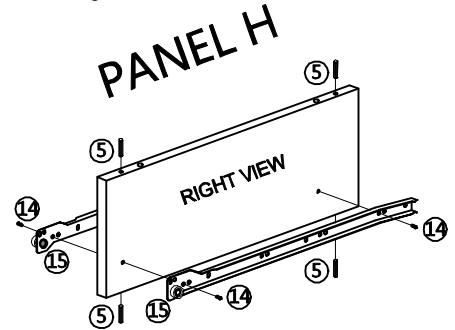
Insert, push down and tighten mini fix screw ⑥, to the hole as shown, 8pcs.

Insert mini fix ⑥ (nuts) with the cross arrow mark facing upward and aim to the panel G's top thru holes. (As shown)

Insert pvc dowels ⑤ to edge of the panel H's non-thru hole as shown. Using hammer to gently tap them in.



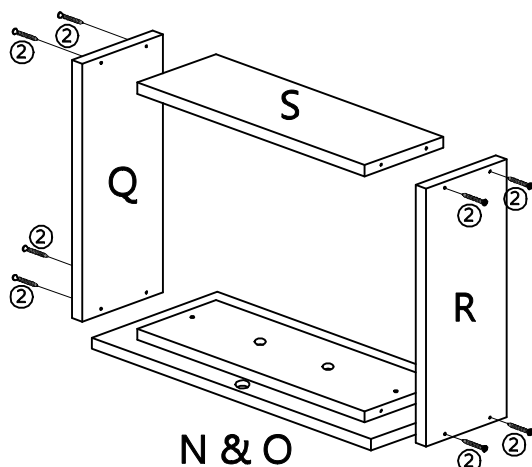
Place a drawer slide A ⑮ onto the 2 holes area shown at left side of panel H. Then tighten the drawer slide A ⑮ with 2 screws ⑭.



Place a drawer slide A ⑮ onto the 2 holes area shown at right side of panel H. Then tighten the drawer slide A ⑮ with 2 screws ⑭.

Assembly Of Small Drawers : 2 DRAWERS

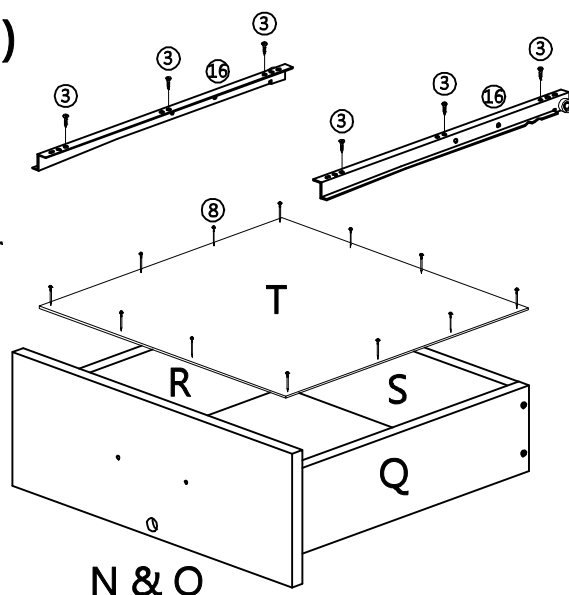
(1)



DRAWER N & O

- Place panel Q and panel R on each side of panel N & O as shown.
- Then, tighten screw ② to panel Q and panel R 's lower thru holes to fix them onto panel N & O.
- Next tighten screw ② to panel Q and panel R 's upper thru holes to fix up to the panel S.

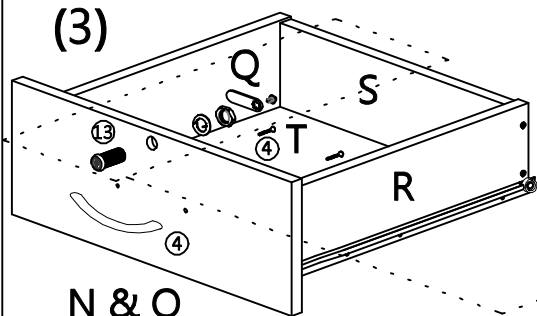
(2)



-Flip drawer with bottom side up, place panel T onto the drawer and align properly. Then nail the nails provided with hammer on the border of panel T as shown. The gap between 2 nails should be about 100mm.

-After that, place drawer slide B ⑯ with the small white roller facing outward and with other end tip touching panel N & O onto each bottom side (angle) edge of panel R and panel Q. Then tighten 3 screws ③ on each drawer slide B ⑯ (as shown).

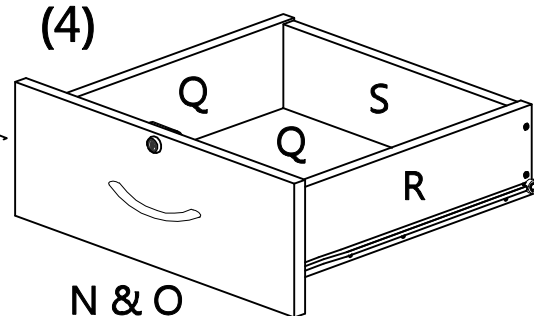
(3)



-Flip drawer over with bottom side down, disassemble the lock ⑬ into 5 parts as shown, then install the lock ⑬ by inserting the lock ⑬ 's cylinder into middle thru hole of panel N & O, then fix the lock up.

-Tighten 2 screw ④ from inner side of panel N & O into the handle ④ holes.

(4)



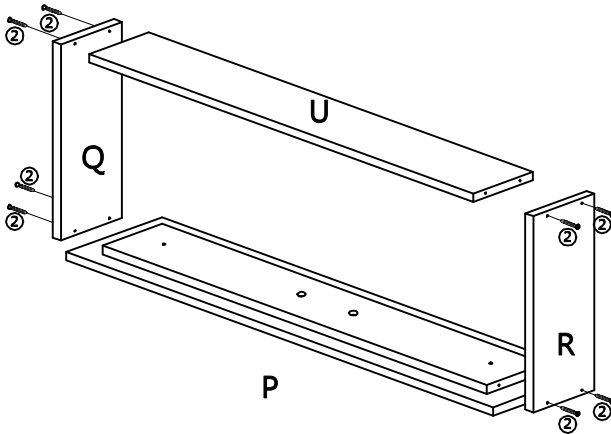
N & O

COMPLETED

Assembly Of Big Drawers : 5 DRAWERS

DRAWER P

(1)

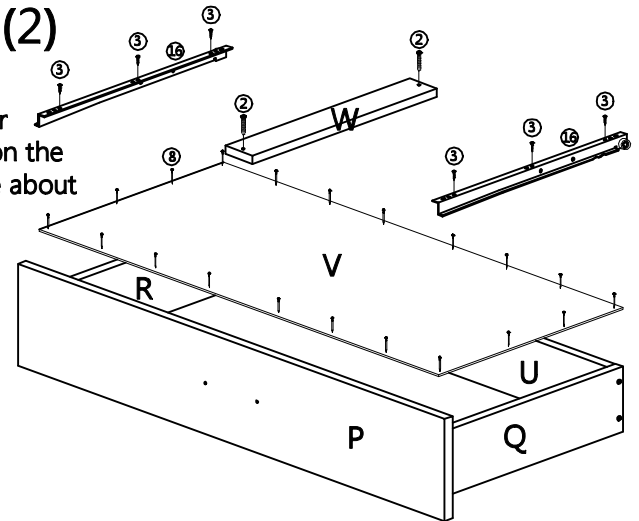


- Place panel Q and panel R on each side of panel P as shown.
- Then, tighten screw ② to panel Q and panel R's lower thru holes to fix them onto panel P.
- Next tighten screw ② to panel Q and panel R's upper thru holes to fix up to the panel U.

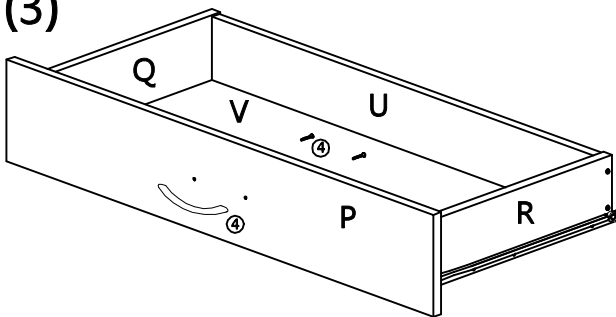
-Flip drawer with bottom side up, place panel V onto the drawer and align properly. Then nail the nails provided with hammer on the border of panel V as shown. The gap between 2 nails should be about 100mm.

- After that, place a drawer slide B ⑩ with the small white roller facing outward and with other end tip touching panel P onto each bottom side (angle) edge of panel R and panel Q. Then tighten 3 screws ③ on each drawer slide B ⑩ (as shown).
- Put drawer supporting W onto middle of panel V, then tighten screw ② to drawer supporting W's thru hole to fix it onto panel V / panel P (inner panel) / panel U.

(2)

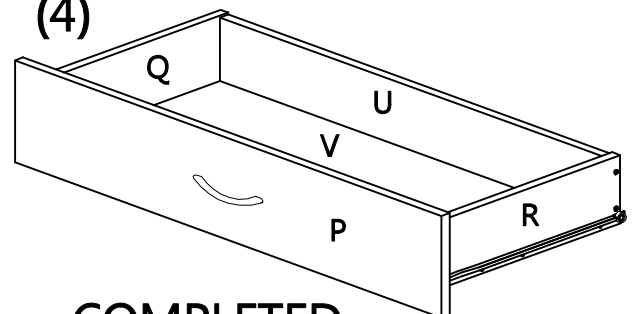


(3)



- Flip the drawer over.
- Tighten 2 screw ④ from inner side of panel P into the handle ④ holes.

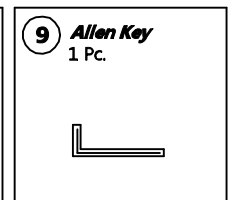
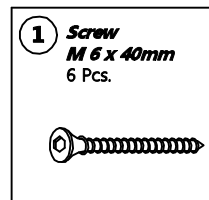
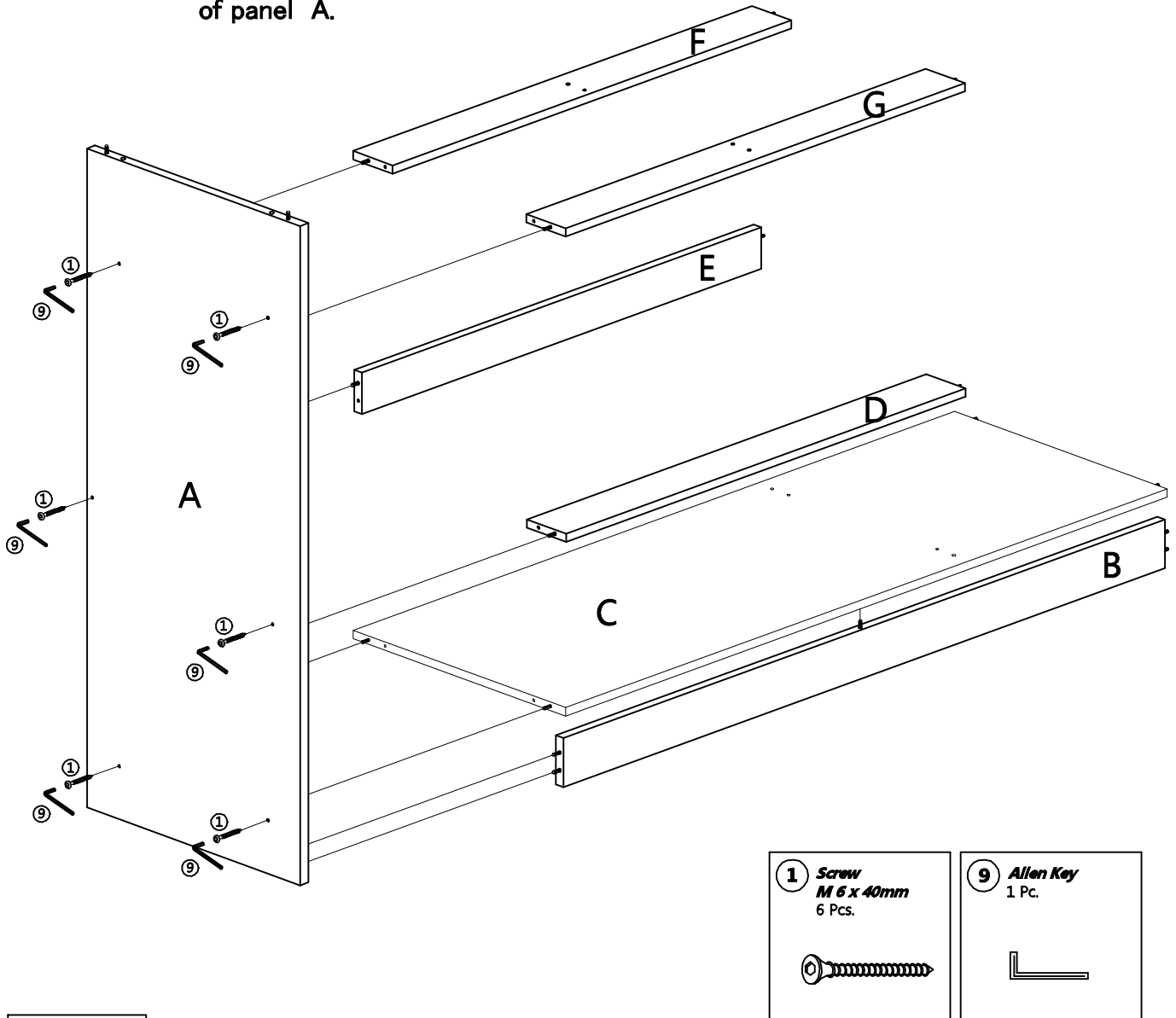
(4)



COMPLETED

Assembly Instruction Step 1

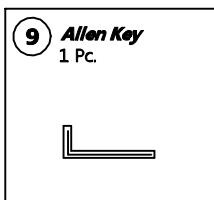
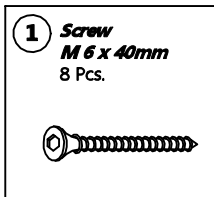
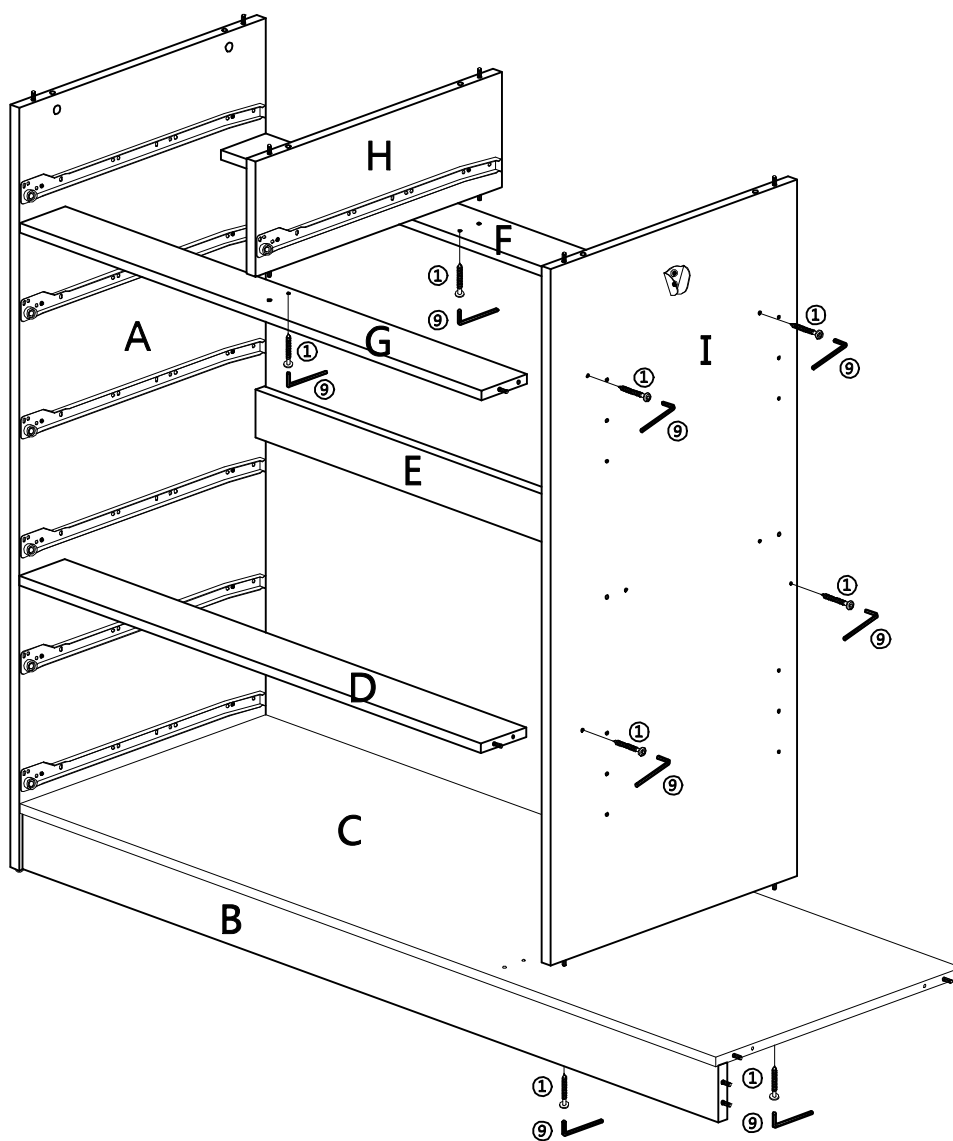
- * Fix Panel B onto Panel C by inserting the dowel onto the non-thru holes at Panel C as shown.
- * Fix Panel B,C,D,E,F,G onto Panel A by inserting the (Left) dowels onto the non-thru holes at Panel A.
- * Using allen key ⑨ to tighten screw ① from the 6 thru holes of panel A.



CAUTIONS : When inserting the PVC Dowels to non-thru holes, don't push to hard. Otherwise, the side panels (A, I & K) may be damaged.

Assembly Instruction Step 2

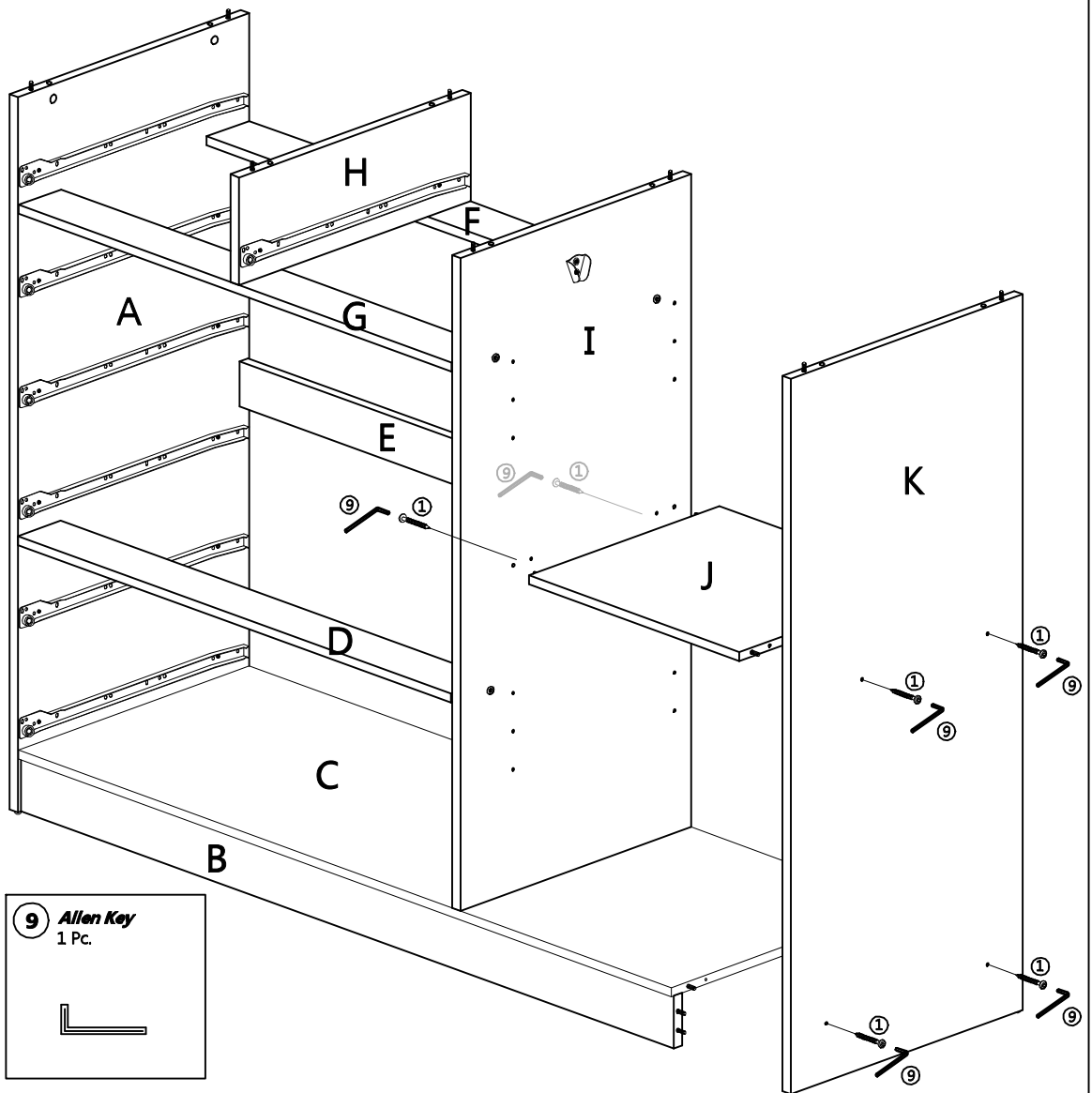
- * Fix Panel B,C,D,E,F,G onto Panel I by inserting the (Right) dowels onto the non-thru holes at Panel I.
- *Place Panel H (with drawer slide A ⑮ downward and the small white roller facing frontward) onto panel G and panel F by inserting the (down) dowels onto non-thru holes at bottom area of panel H. Using allen key ⑨ to tighten the 2 screw ① from the middle thru hole of panel G and Panel F.
- * Using allen key ⑨ to tighten screw ① from the 4 thru holes of panel H.



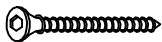
CAUTIONS : When inserting the PVC Dowels to non-thru holes, don't push to hard. Otherwise, the side panels (A, I & K) may be damaged.

Assembly Instruction Step 3

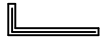
- * Fix Panel J onto Panel I by inserting the (Left) dowels onto the non-thru holes at Panel I.
- * Using allen key ⑨ to tighten screw ① from the 2 thru holes of panel I.
- * Fix panel K onto panel J, B and C by inserting the (right) dowel onto the non-thru hole at panel K.
- * Using allen key ⑨ to tighten screw ② from 4 thru holes of panel K.



① **Screw**
M 6 x 40mm
6 Pcs.



⑨ **Allen Key**
1 Pc.

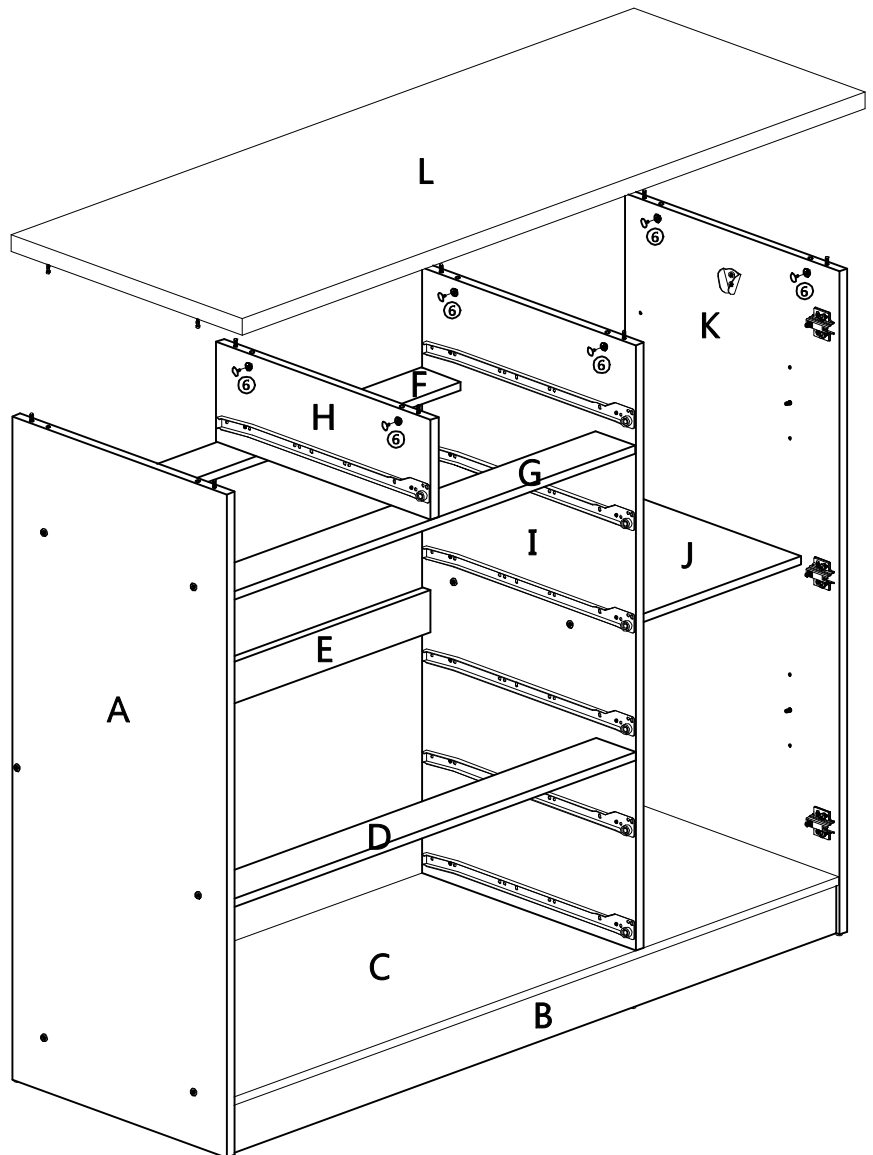
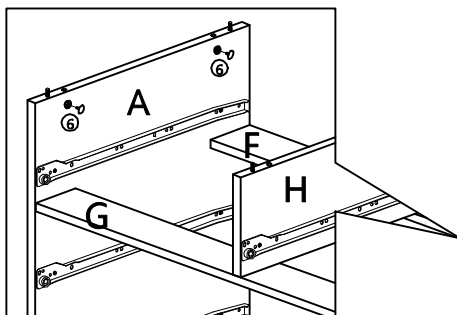
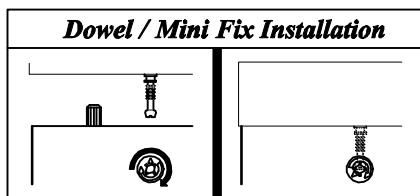


CAUTIONS

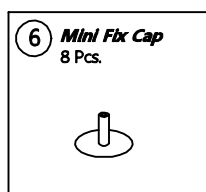
: When inserting the PVC Dowels to non-thru holes, don't push to hard. Otherwise, the side panels (A, I & K) may be damaged.

Assembly Instruction Step 4

Place and fix panel L onto panel A, panel H, panel I and panel K, and align properly by inserting the 8 (down) mini fix screws ⑥ onto the L-thru holes at top edge of panel A, H, I and K. At the same time, pushing and light tapping of panel L downward to have panel A, panel H, panel I and panel K's upside dowel going onto panel L's non-thru holes.

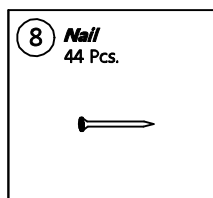
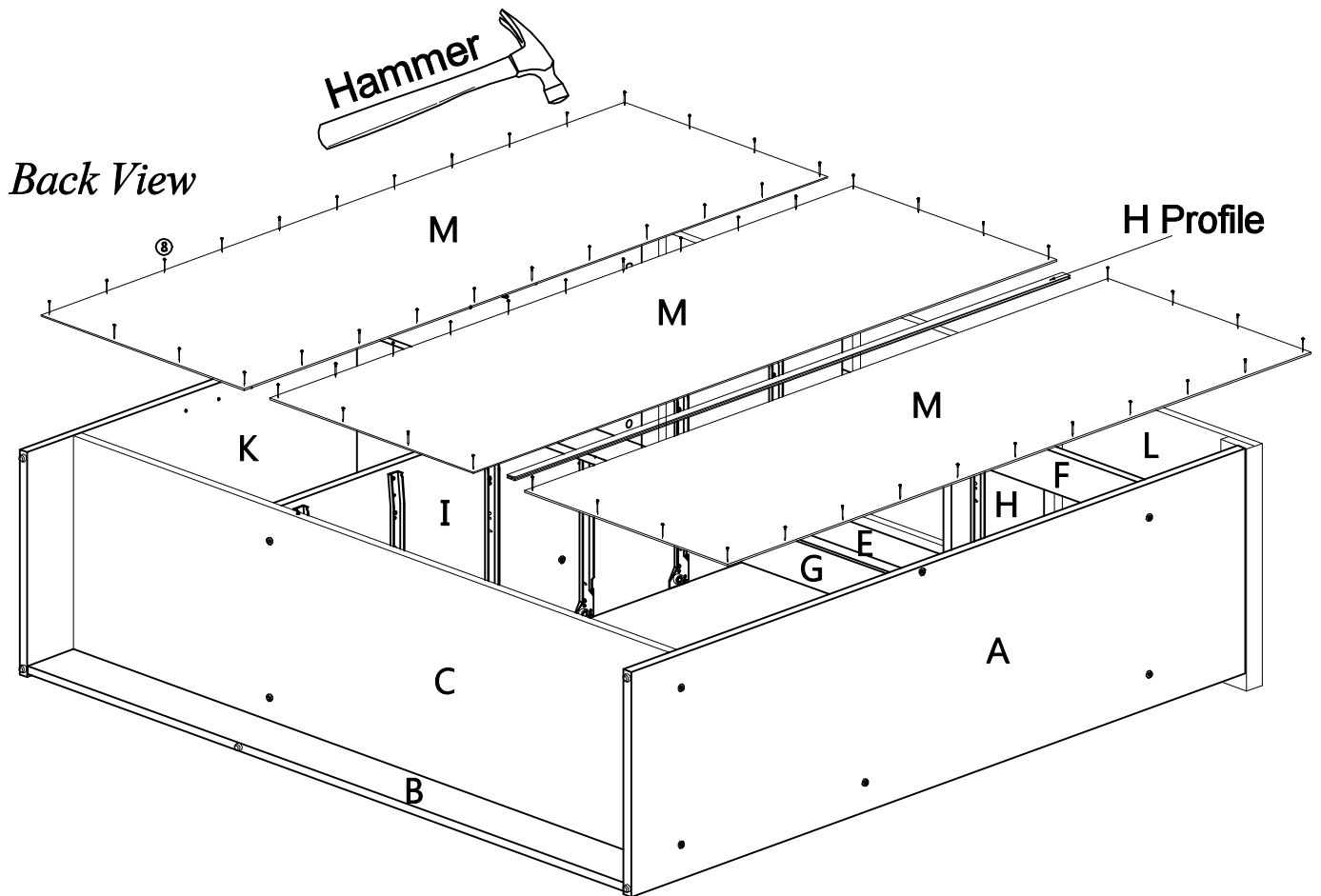


*Then, tighten mini fix ⑦ clockwise to lock the mini fix up, for tightening panel L up. Cover 8 mini fix caps provided by pushing the cover's stem onto the hole of mini fix nut on upper side of panel A, H, I and K.



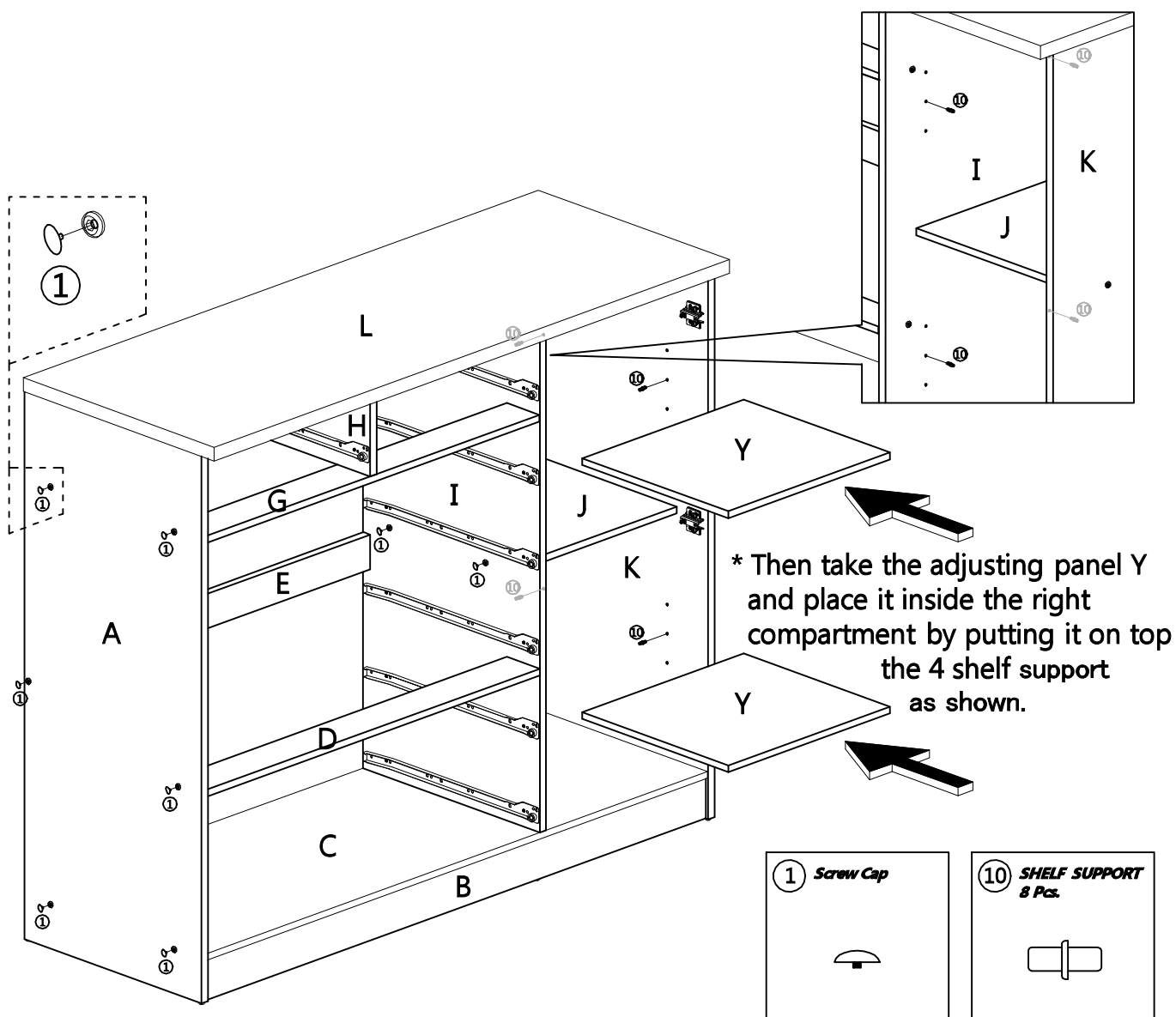
Assembly Instruction Step 5

- * Lay the carrass at face down position, Place the 3 back Panels M onto the back of the main unit, and join the 2 panel M together with H-profile by slotting one side each of panel M into the track of H-profile. Then align them properly for nailing.
- * Then use hammer to nail the nails one by one and at center of 4 side edges. Gap between 2 nails should be about 100mm for all.



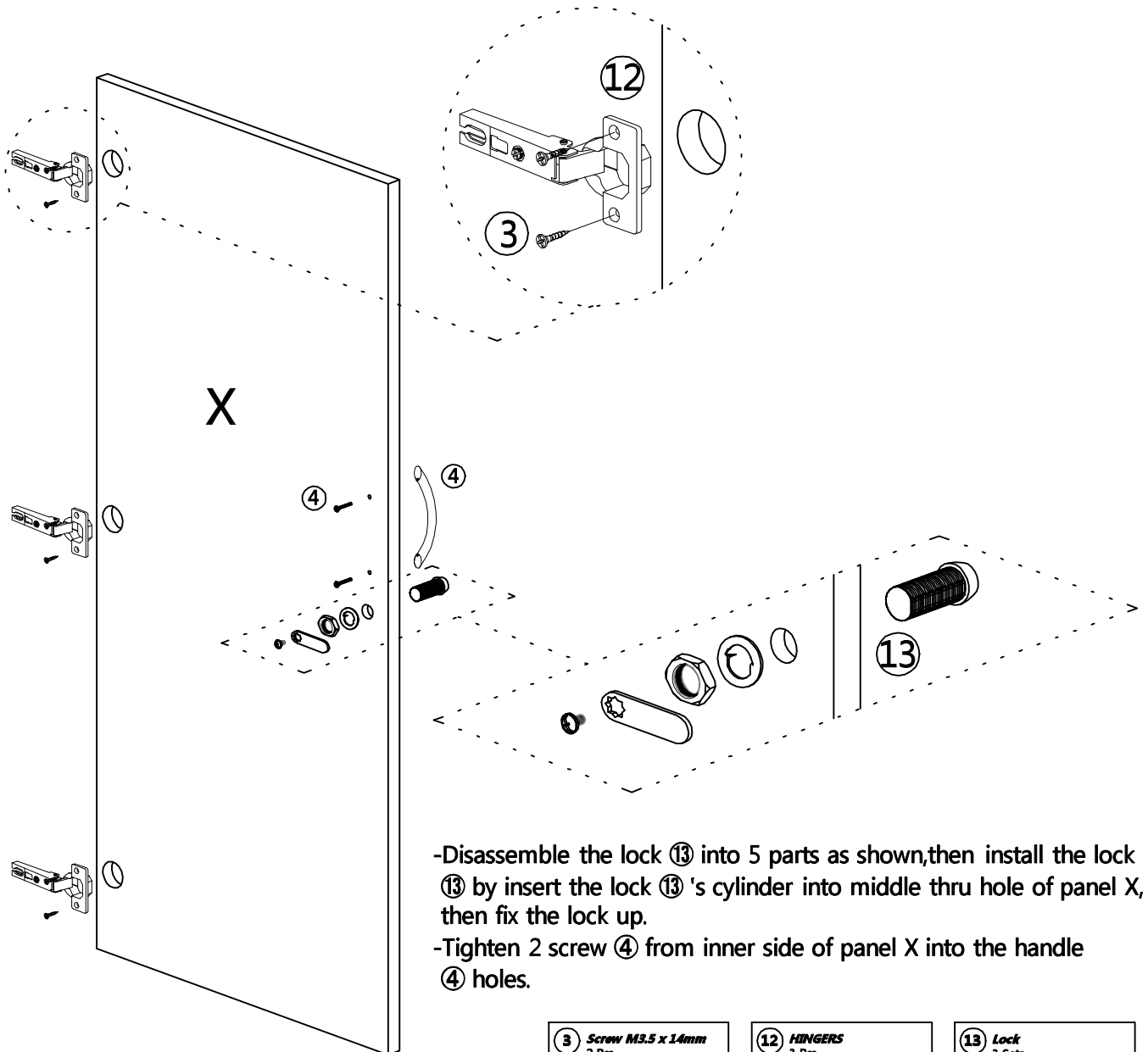
Assembly Instruction Step 6

- * Lift up the main unit carefully and let it stand up properly.
- * Cover all the screw ① 's head with the pvc cap provided by pushing the cover's stem onto the hole of screw head one by one for all screws.
- * Insert 4 shelf support ⑩ into panel I's non-thru holes (Right side) and Insert 4 shelf support ⑩ into panel K's non-thru holes (Left side).

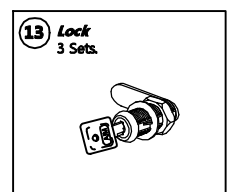
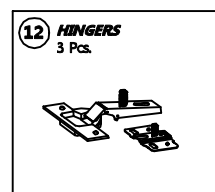
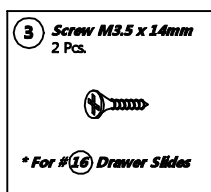


Door Panel Assembly Instruction Step 1

- * Insert Hinges ⑫ into door panel X 's non-thru hole as shown, then tighten screw ③ through hinges ⑫ 's thru hole.



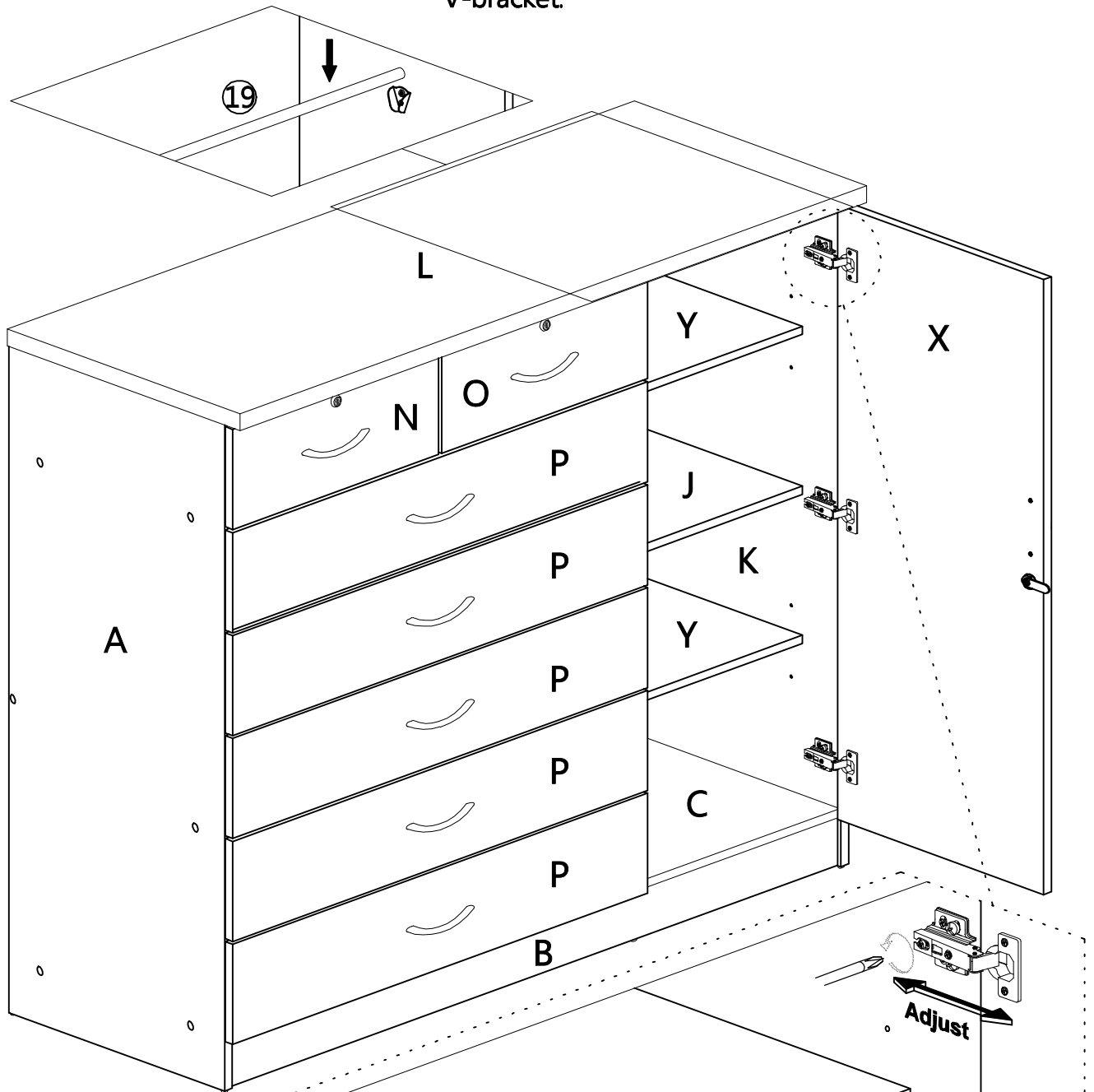
- Disassemble the lock ⑬ into 5 parts as shown,then install the lock ⑬ by insert the lock ⑬ 's cylinder into middle thru hole of panel X, then fix the lock up.
- Tighten 2 screw ④ from inner side of panel X into the handle ④ holes.



Door Panel Assembly Instruction Step 2

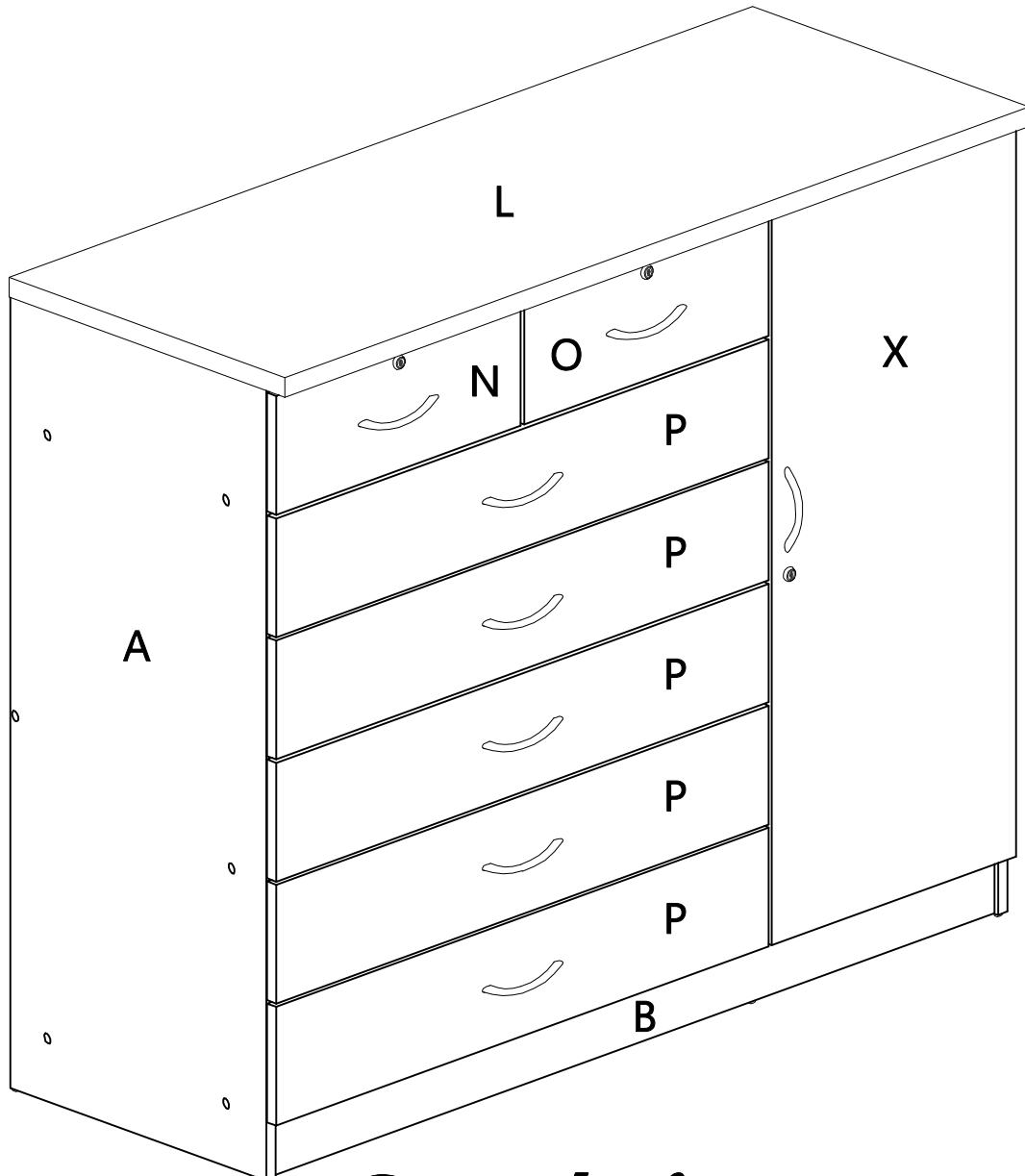
* You can align the door panel X by tightening and loosening the screw as shown.

* Place hanging rod onto both panels I and K's V-bracket.



Assembly Instruction Step 9

- * Take all drawers (5 big and 2 small), and slide them (the white rollers at drawer slide at both side of drawers are to go into the track of the slides at each side panel.) all the way gently, one drawer by one drawer starting from bottom one.



Completion

In the interest of our environment please dispose of all packaging thoughtfully.