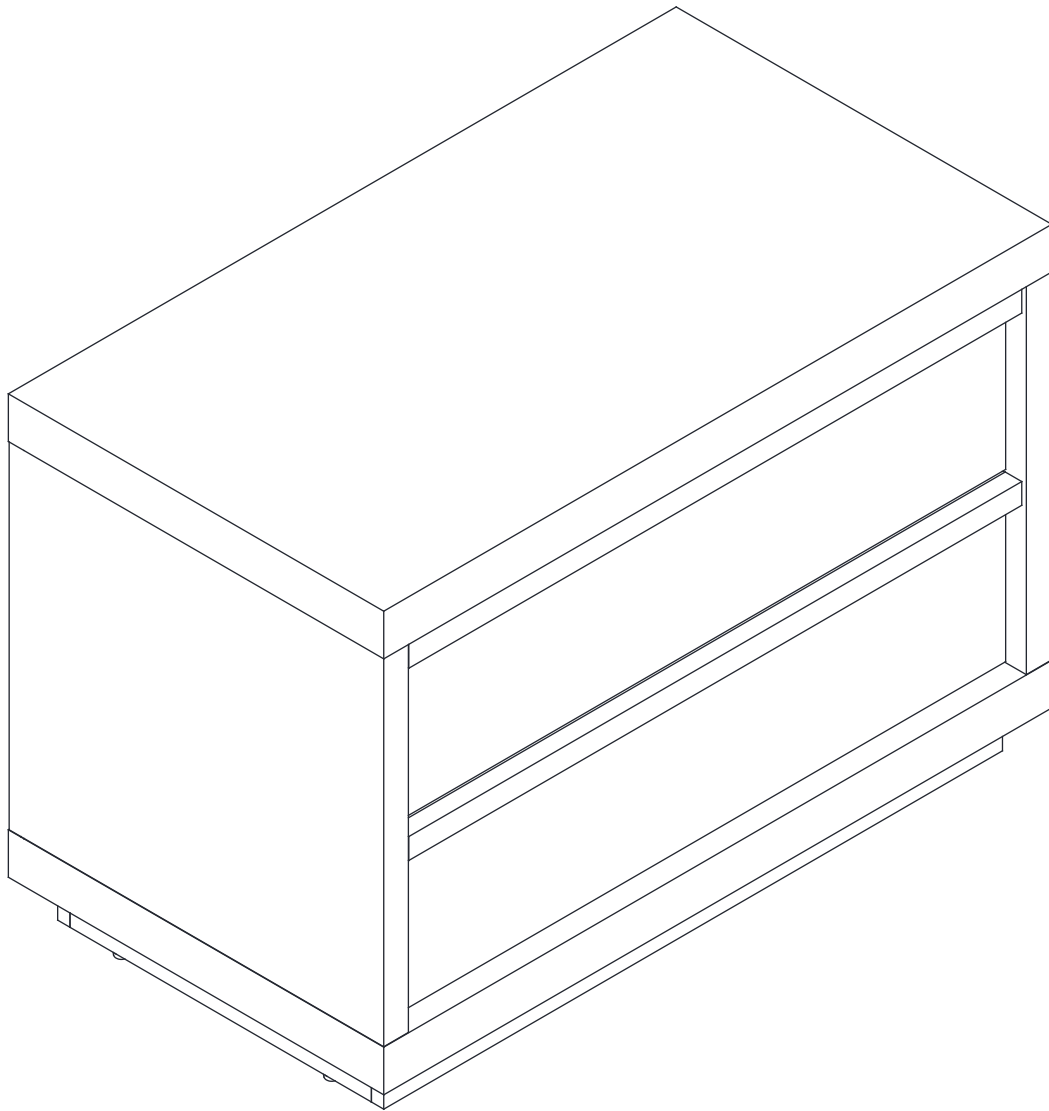




**MANHATTAN
COMFORT**

NS1874



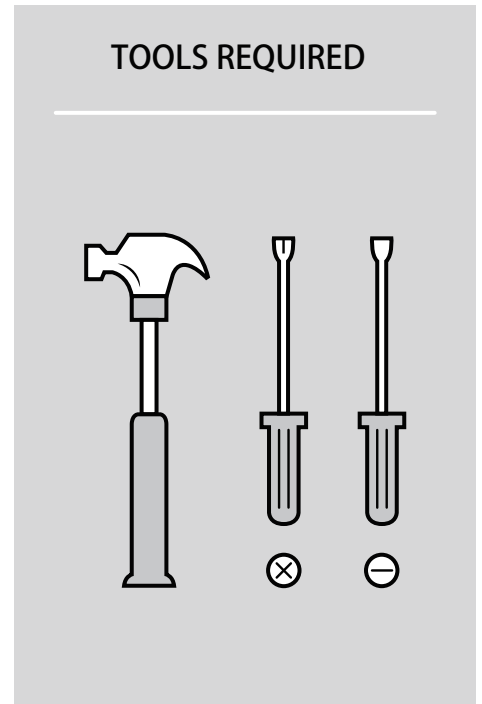
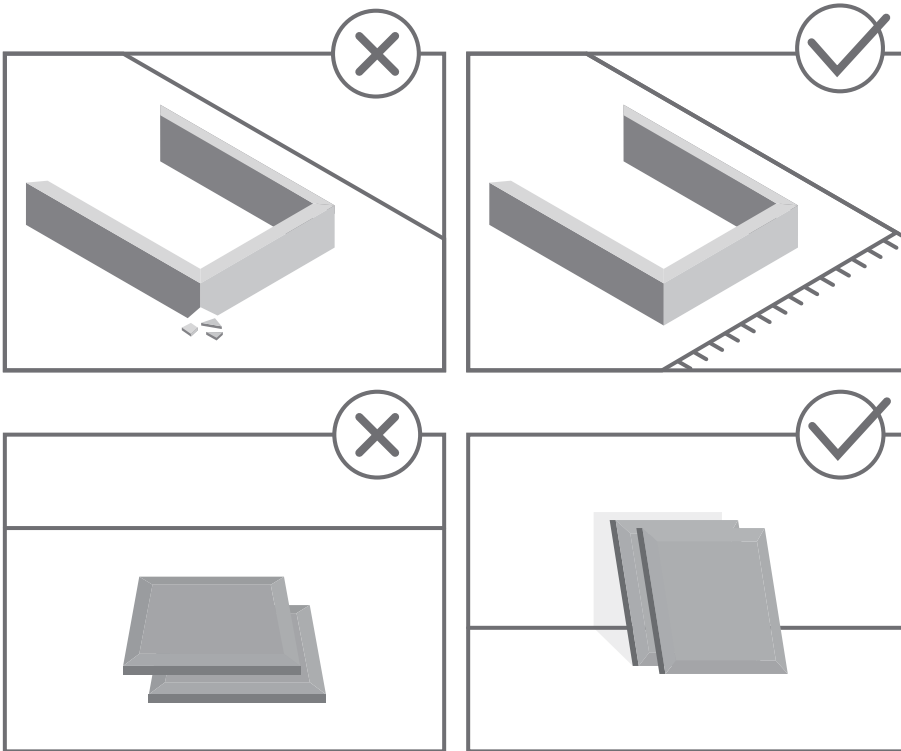


STOP!

Before beginning the assembly process, ensure all boxes and parts have been delivered.

FOR BEST RESULTS:

- Do not throw away packaging materials until assembly is complete.
- Assemble item on a soft surface, such as cardboard or carpet, to protect finish.
- Proper assembly requires two people.



View our assembly video online:
WWW.MANHATTANCOMFORT.COM



Stuck? Question? We are here to help.
tel: 908-888-0818
e-mail: help@manhattancomfort.com

Support Site



Included in this package:

A:Top Panel (1)

B:Bottom Panel (1)

C:Left Side Panel (1)

D:Right Side Panel (1)

E:Back Panel (1)

F:Front and Back Plinth (2)

G:Left and Right Plinth (2)

H:Wood Handle (2)

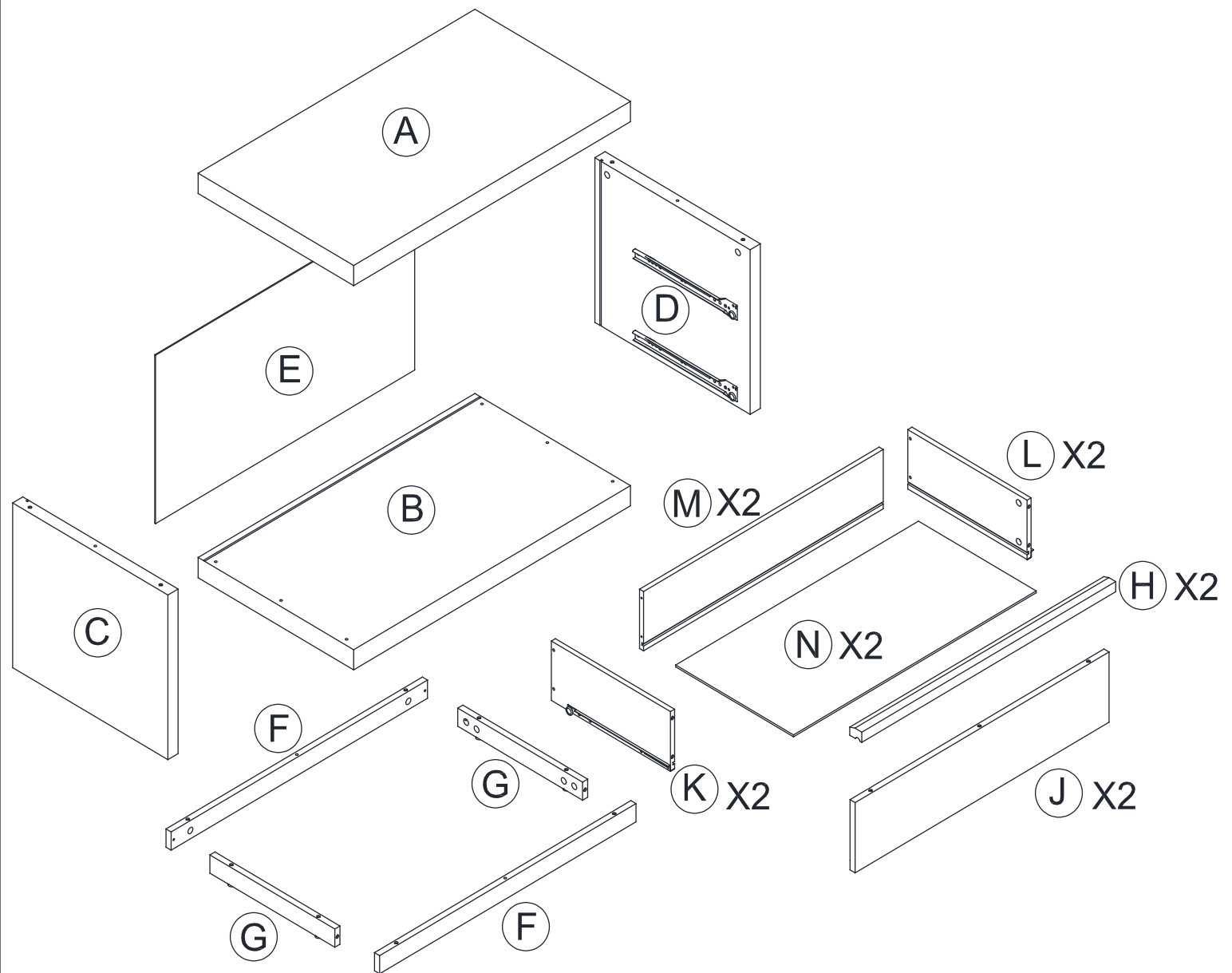
J:Drawer Front Panel (2)

K:Drawer Side Panel Left (2)

L:Drawer Side Panel Right (2)

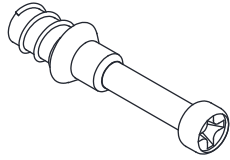
M:Drawer Back Panel (2)

N:Drawer Bottom Panel (2)

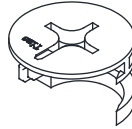


Hardware Identification

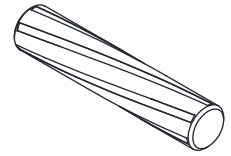
① CAM SCREW - 30pcs



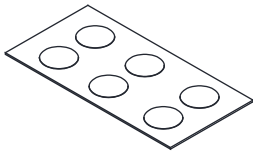
② HIDDEN CAM - 30pcs



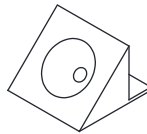
③ WOOD DOWEL - 6pcs



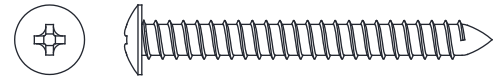
④ APPLIQUE CARD - 5pcs



⑤ BACK PANEL CLIP - 10pcs



⑥ PAN HEAD SCREW
M5*45 - 4pcs

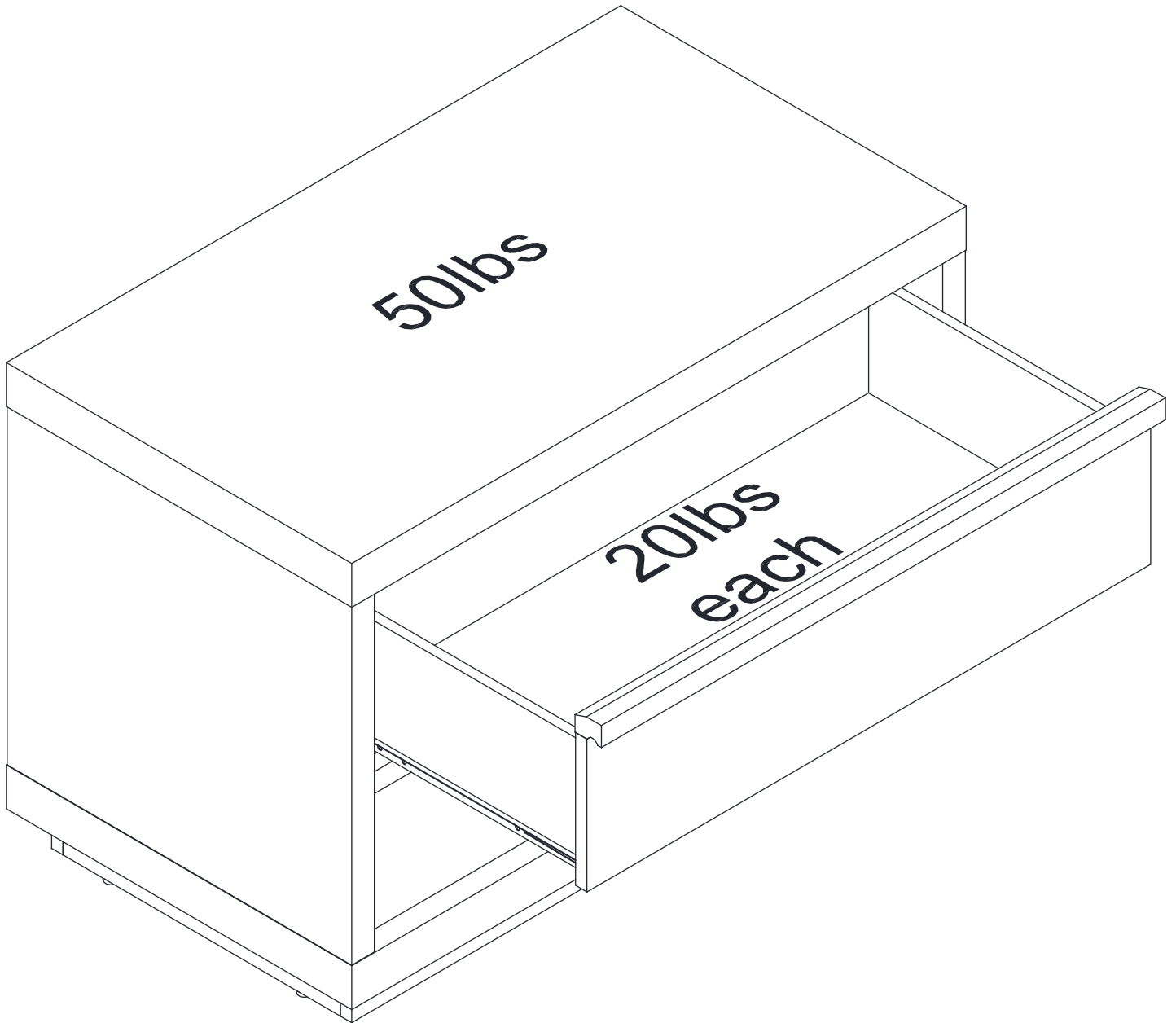


⑦ PAN HEAD SCREW
M5*30 - 8pcs



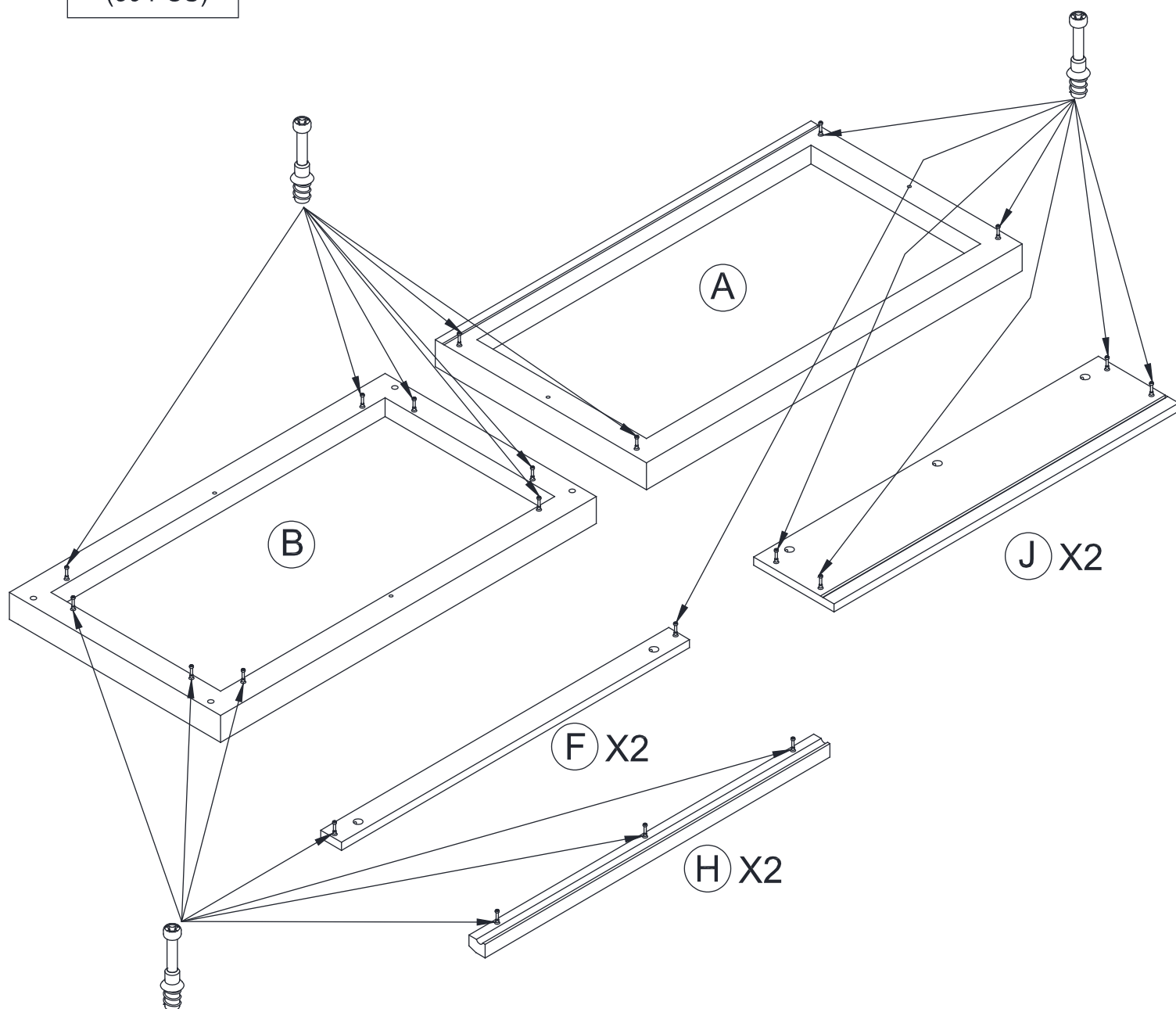
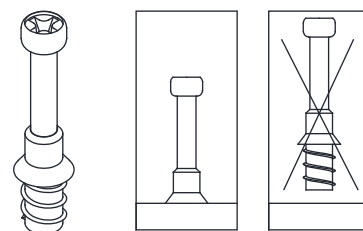
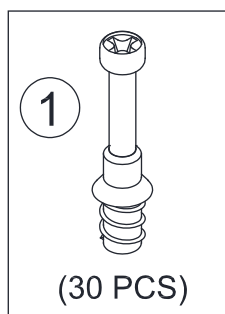
⑧ FLAT HEAD SCREW
M3*16 - 10pcs





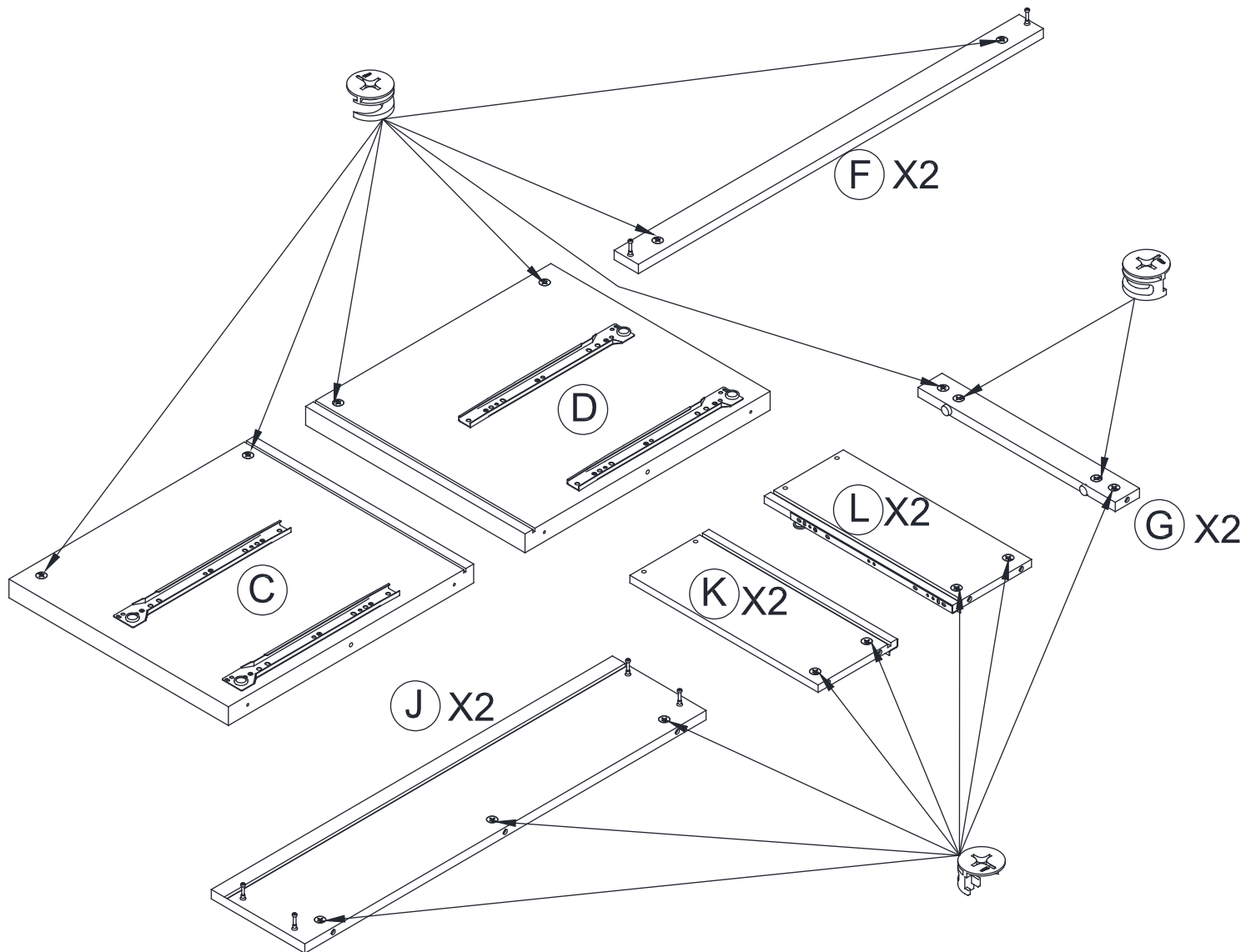
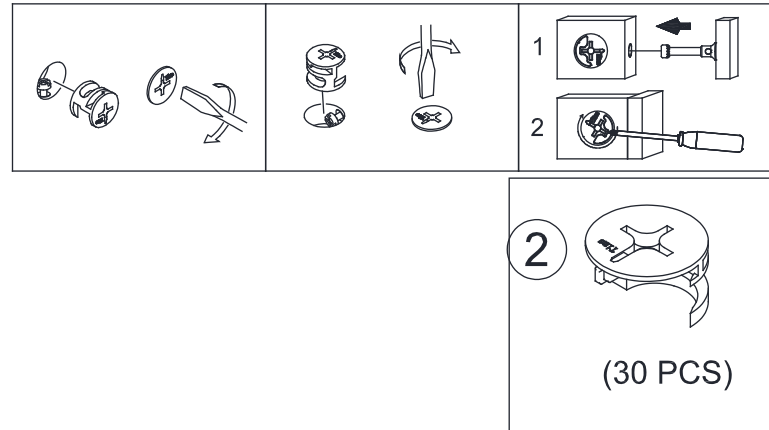
Step 1

- ◆ Screw 30 Cam Screw (1) into the Top Panel (A), the Bottom Panel (B), the Wood Handle (H), the Front and Back Plinth (F), and the Drawer Front Panel (J).



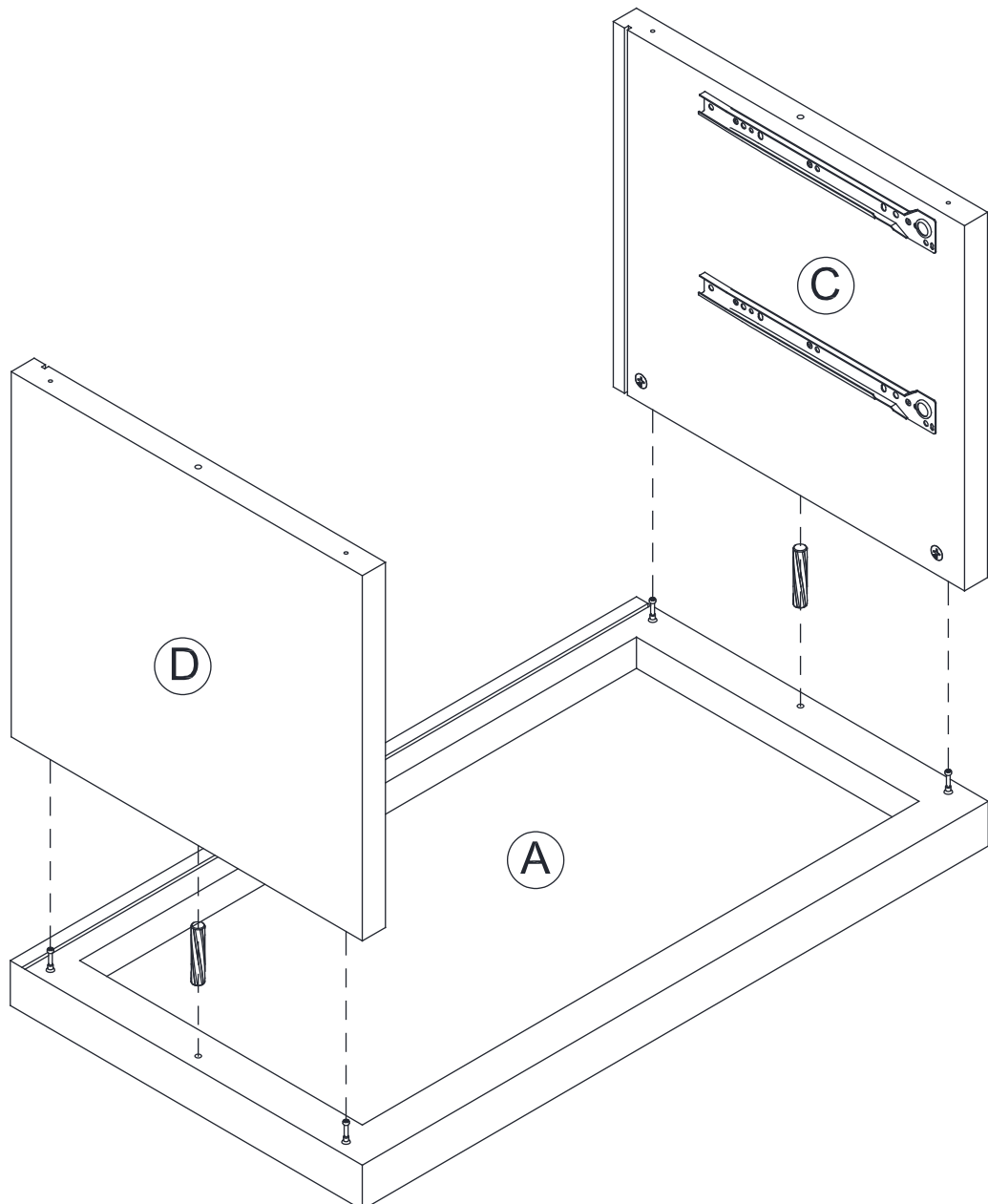
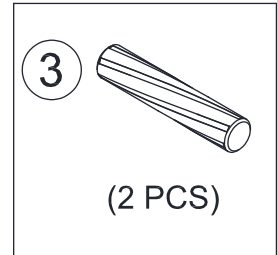
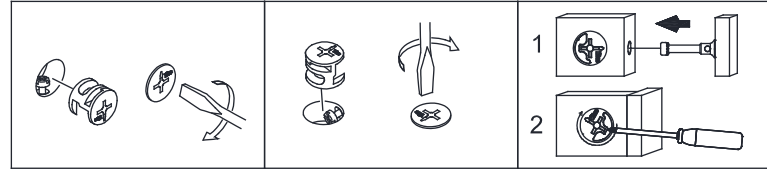
Step 2

- ◆ Insert 30 Hidden Cam (2) into the Drawer Front Panel (J), the Left and Right Side Panel (C, D), the Front and Back Plinth (F), the Left and Right Plinth (G), the Drawer Side Panel Left (K), and the Drawer Side Panel Right (L).



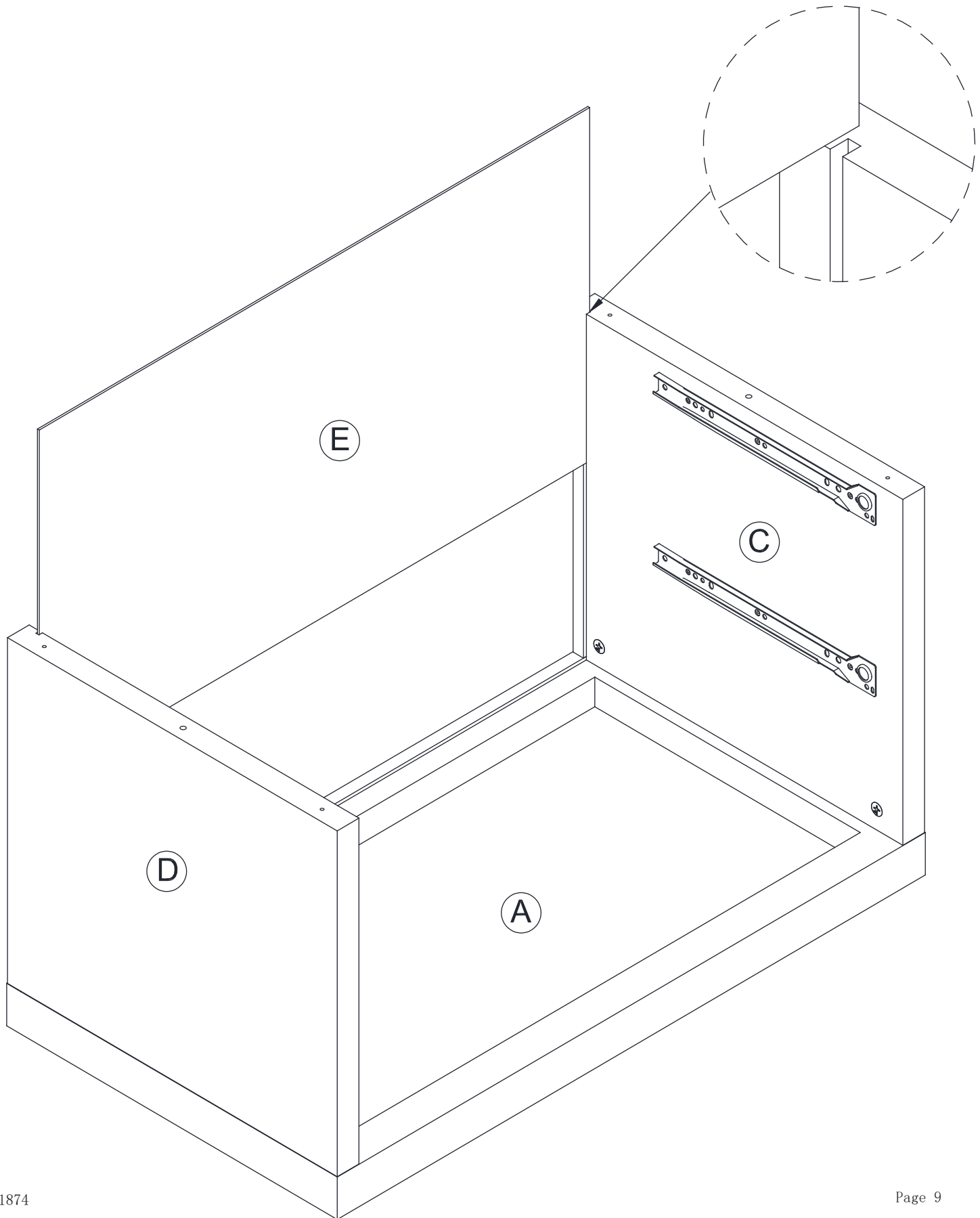
Step 3

- ◆ Using Wood Dowel (3) and Hidden Cam (2), secure the Left and Right Side Panel (C, D) to the Top Panel (A).



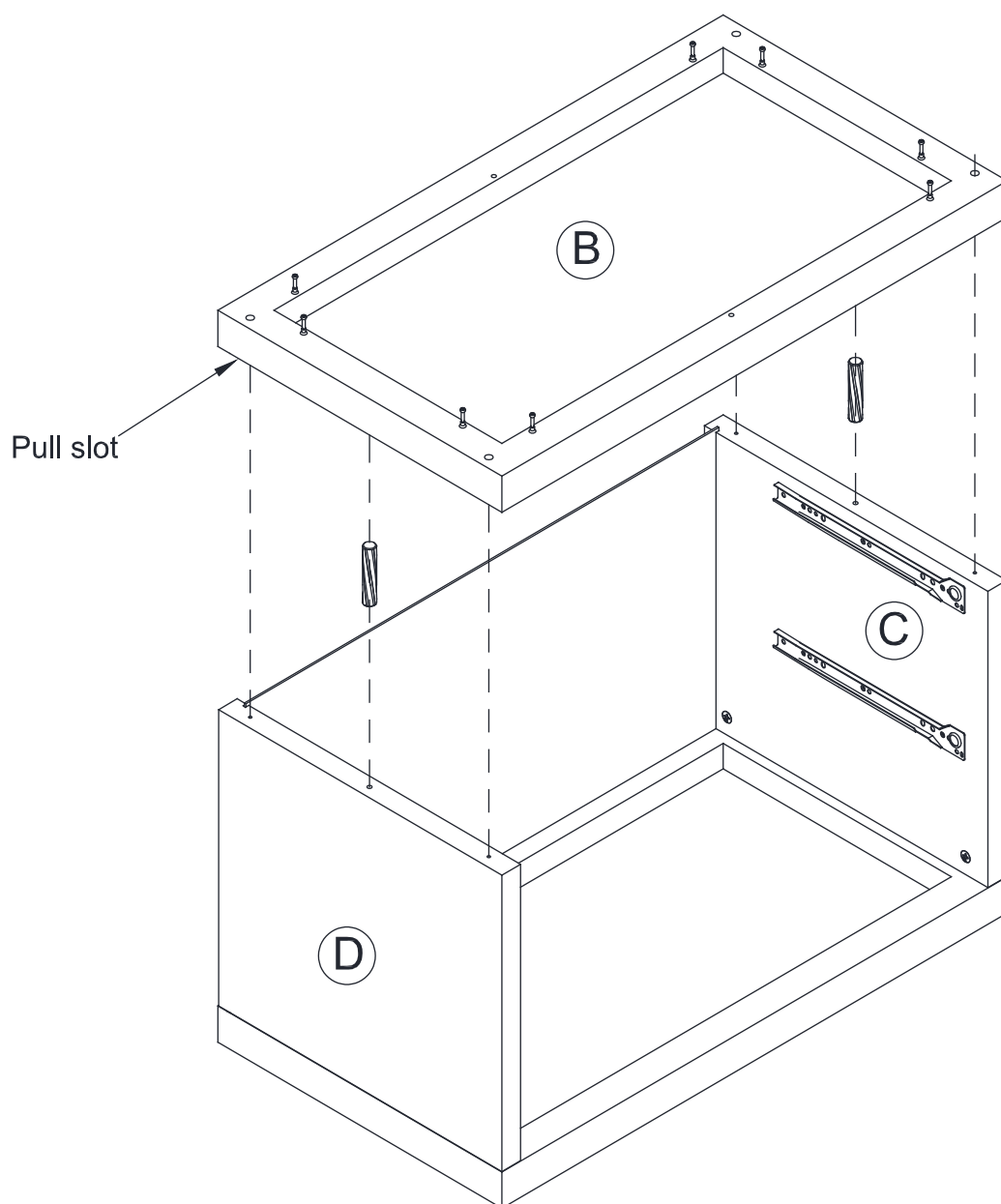
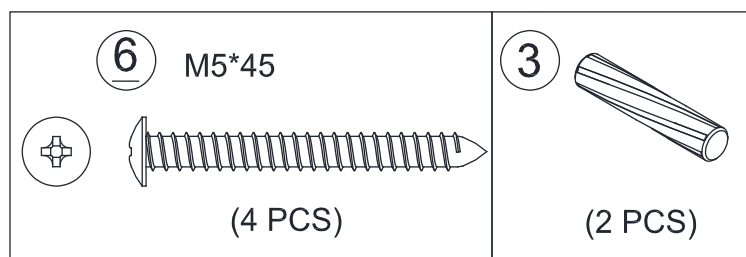
Step 4

- ◆ Slide the Back Panel (E) into the grooves of the Left and Right Side Panel (C, D) and the Top Panel (A).



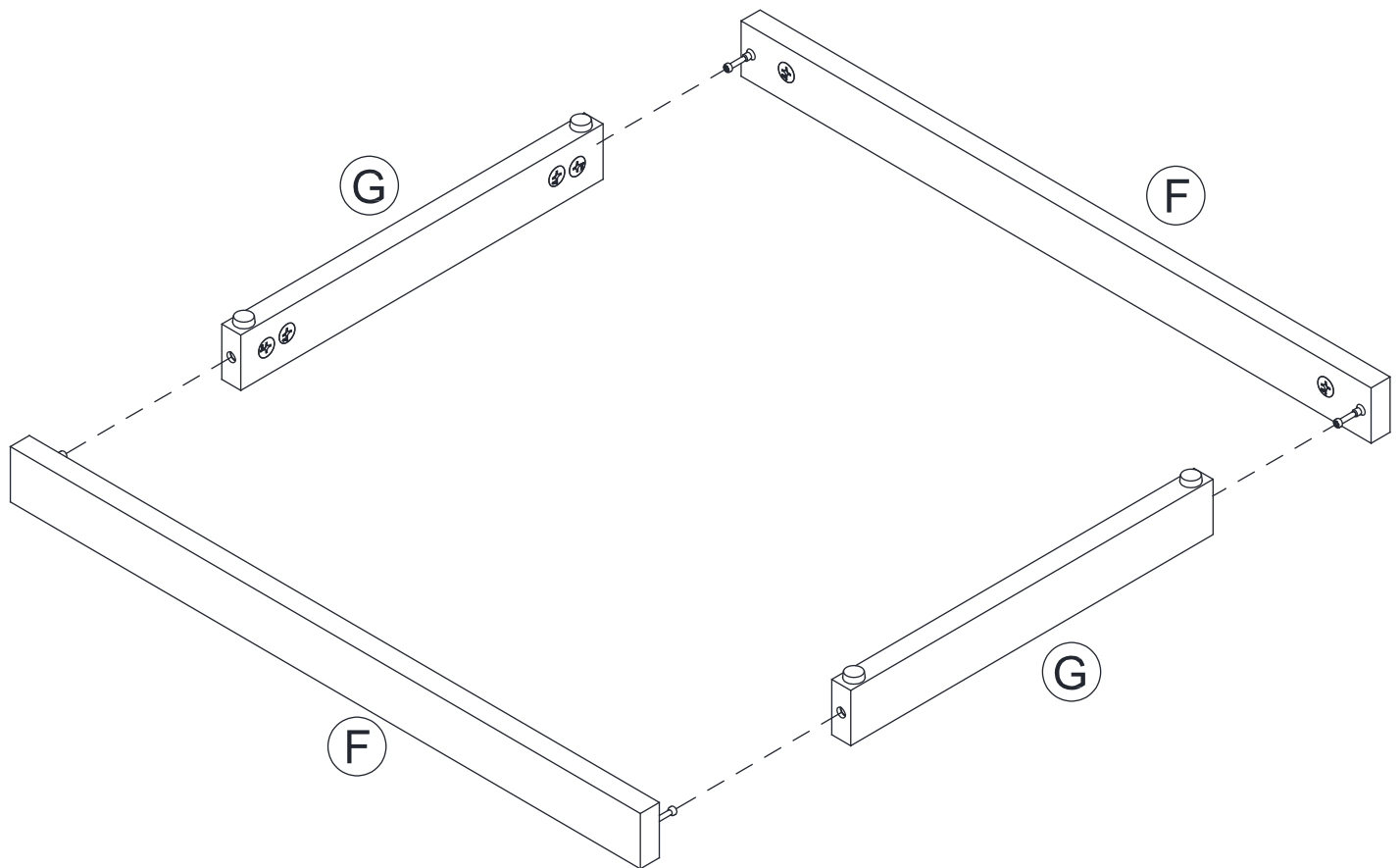
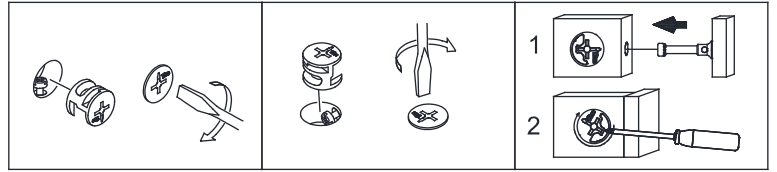
Step 5

- ◆ Using Wood Dowel (3) and Pan Head Screws (6), secure the Bottom Panel (B) to the Left and Right Side Panel (C, D).



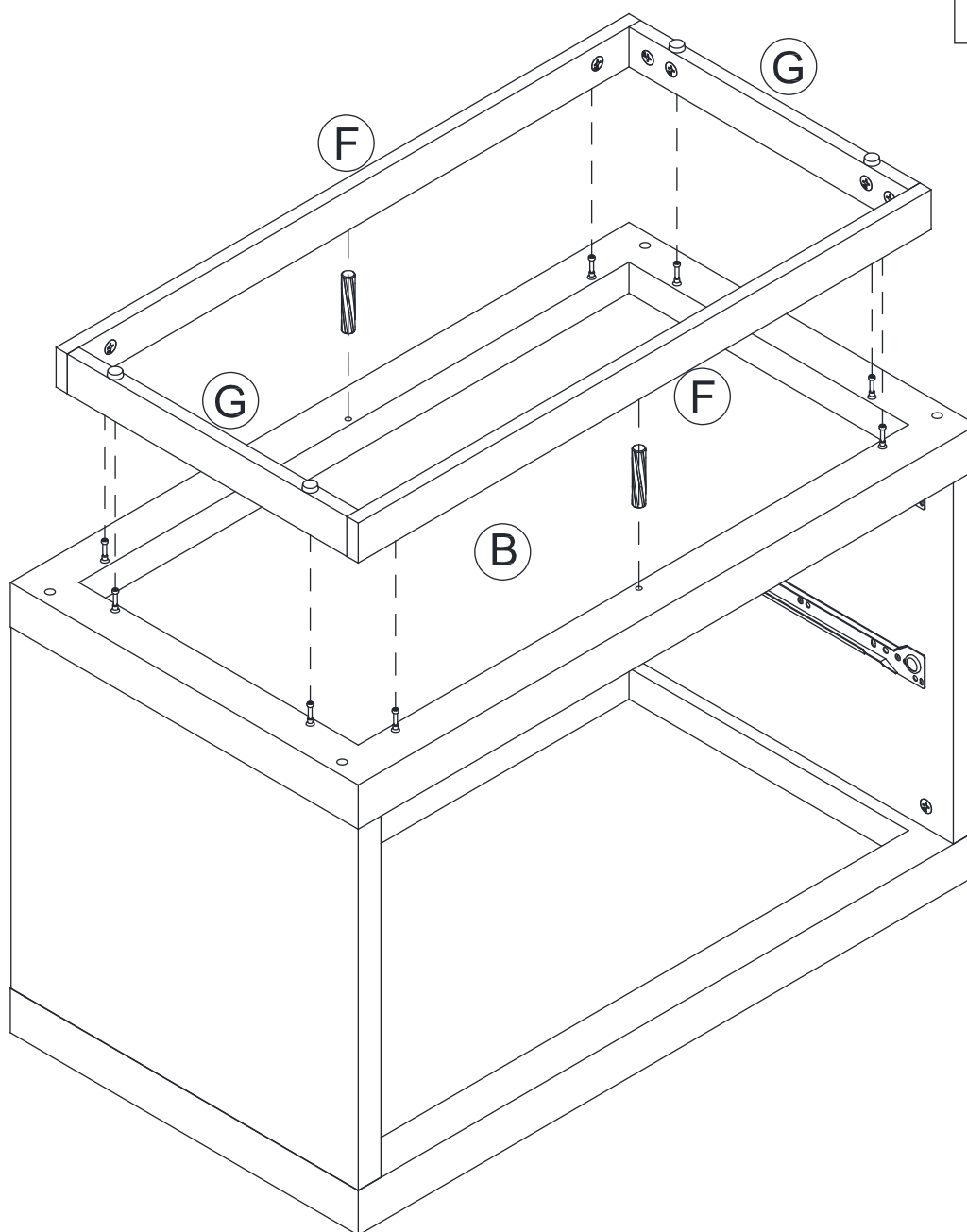
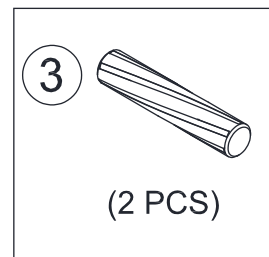
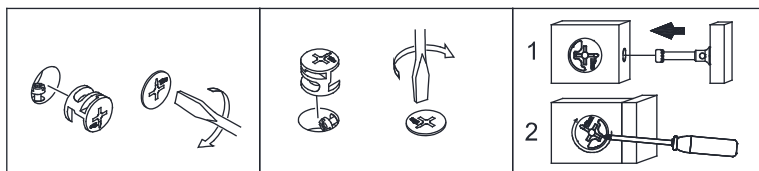
Step 6

- ◆ Using Hidden Cam (2), secure the Front and Back Plinth (F) to the Left and Right Plinth (G).



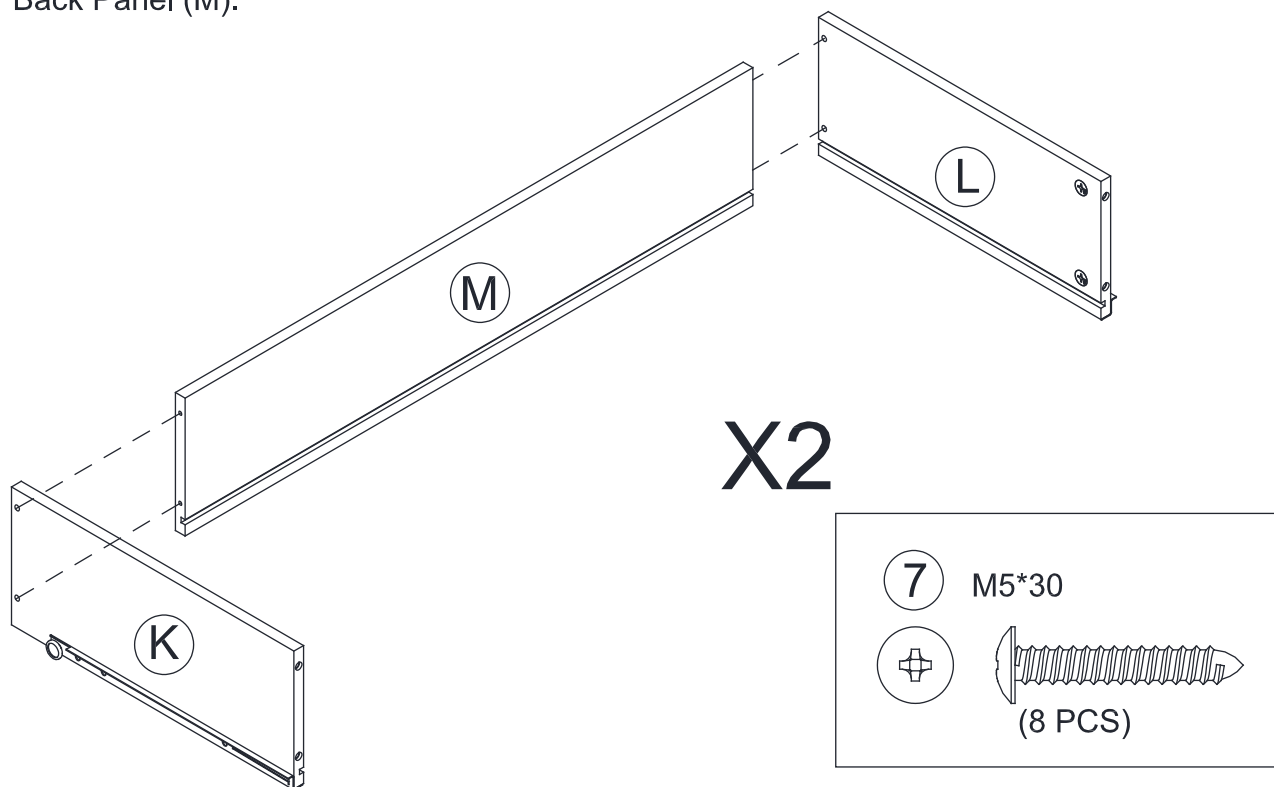
Step 7

- ◆ Using Wood Dowel (3) and Hidden Cam (2), secure the Front and Back Plinth (F) and the Left and Right Plinth (G) to the Bottom Panel (B).

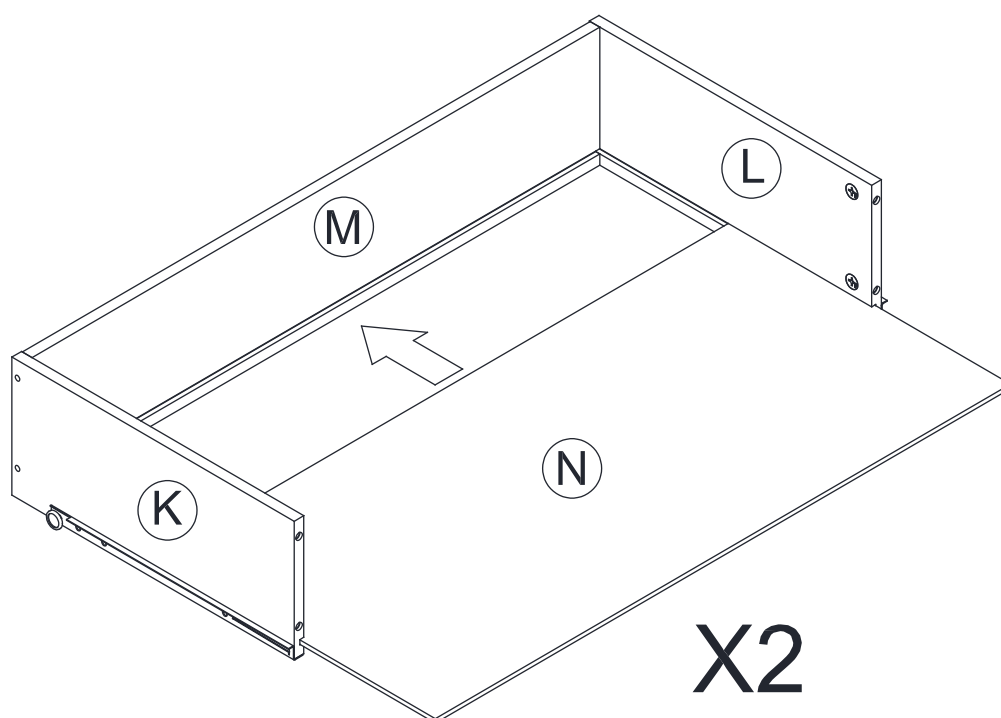


Step 8

- ◆ Using Pan Head Screw (7), secure the Left and Right Drawer Side Panels (K, L) to the Drawer Back Panel (M).

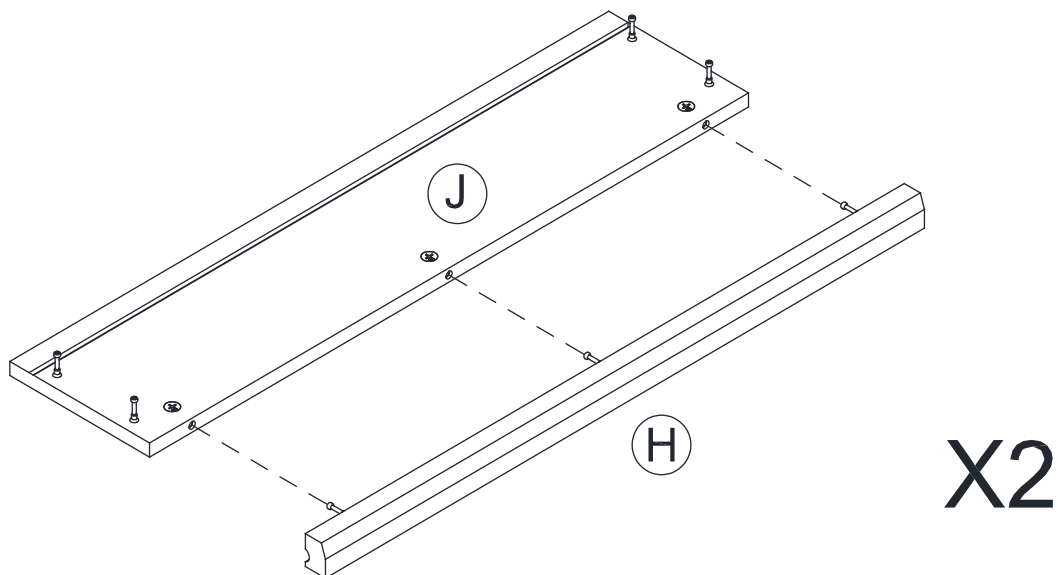
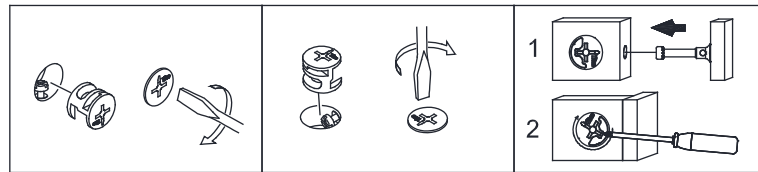


- ◆ Slide the Drawer Bottom Panel (N) into the grooves of the Left and Right Drawer Side Panels (K, L) and the Drawer Back Panel (M).

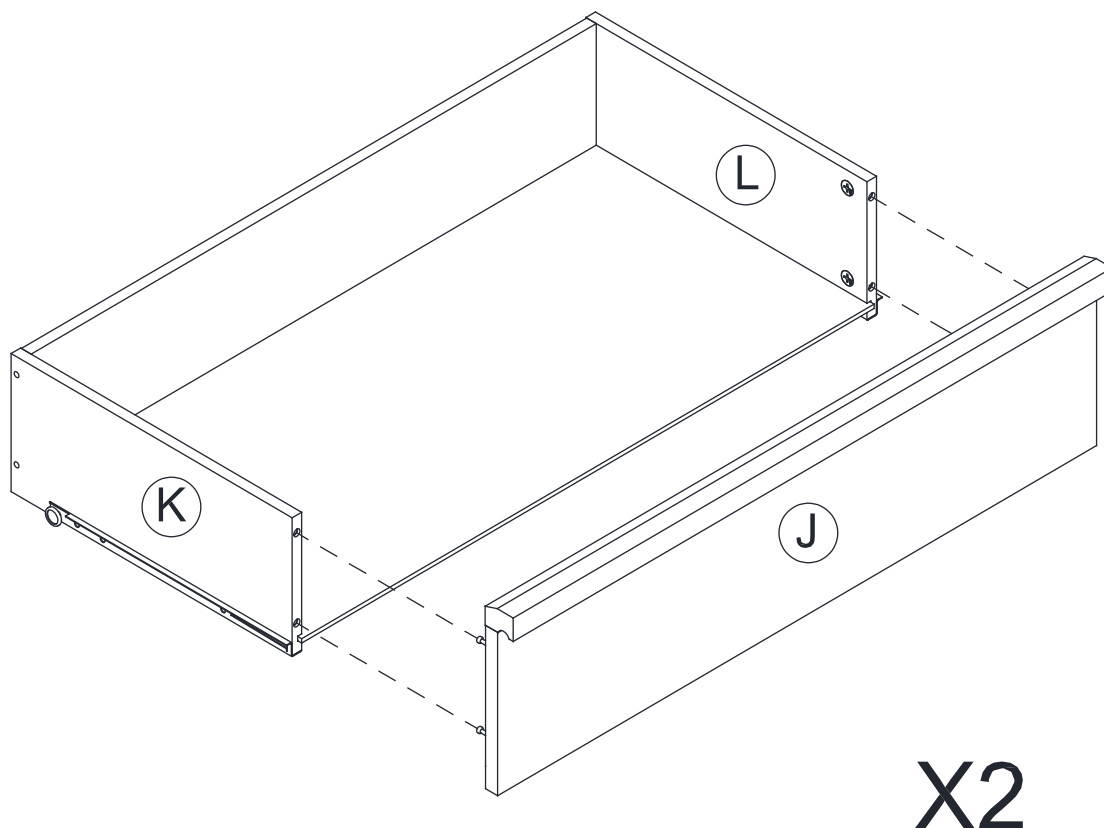


Step 9

- ◆ Using Hidden Cam (2), secure the Wood Handle (H) to the Drawer Front Panel (J).

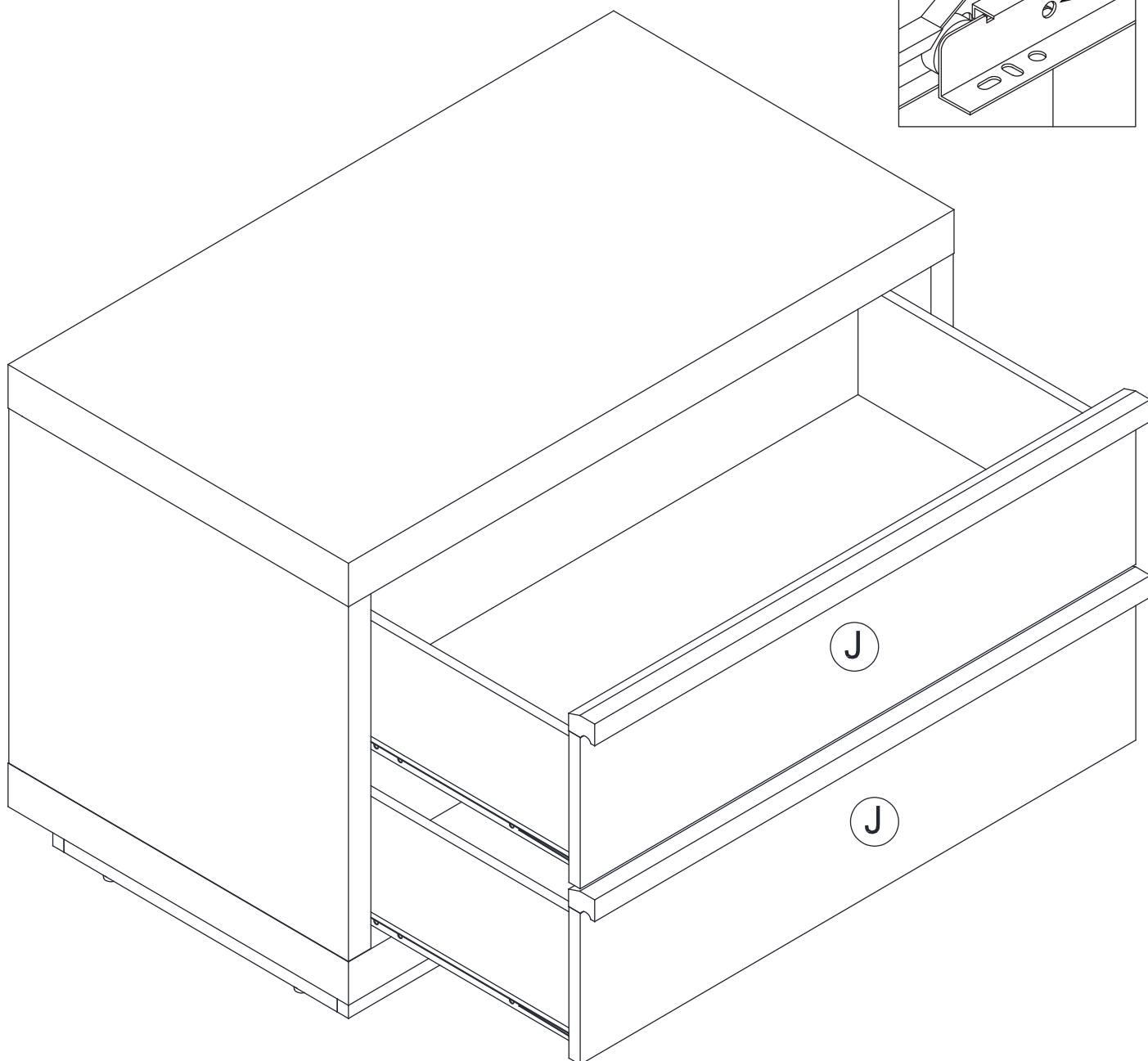
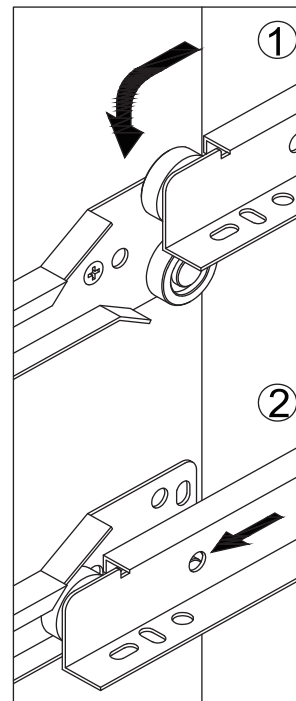


- ◆ Using Hidden Cam (2), secure the Drawer Front Panel (J) to the Left and Right Drawer Side Panels (K, L).



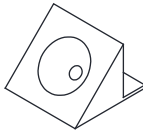

Step 10

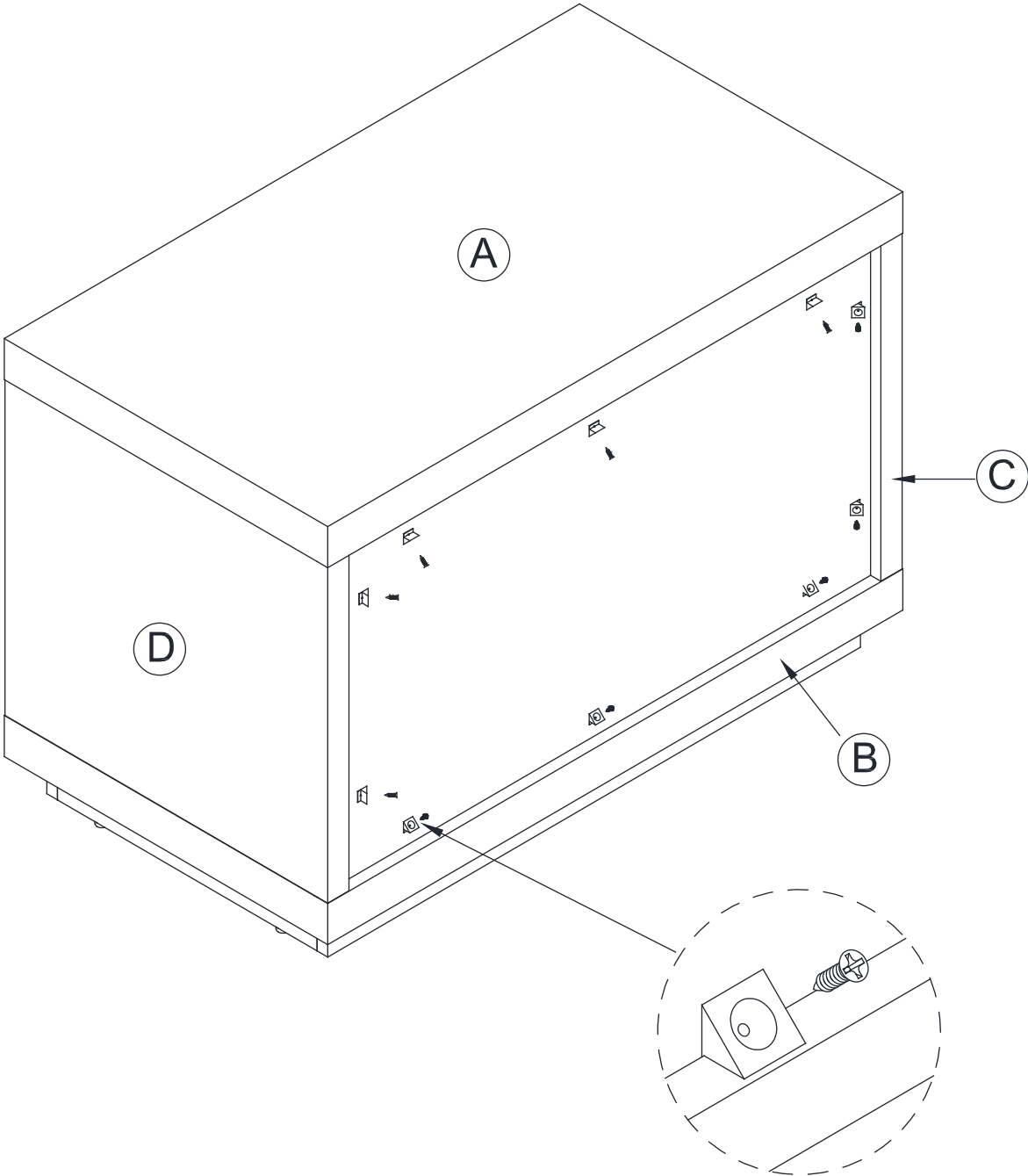
- ◆ Insert the drawers into the cabinet.



Step 11

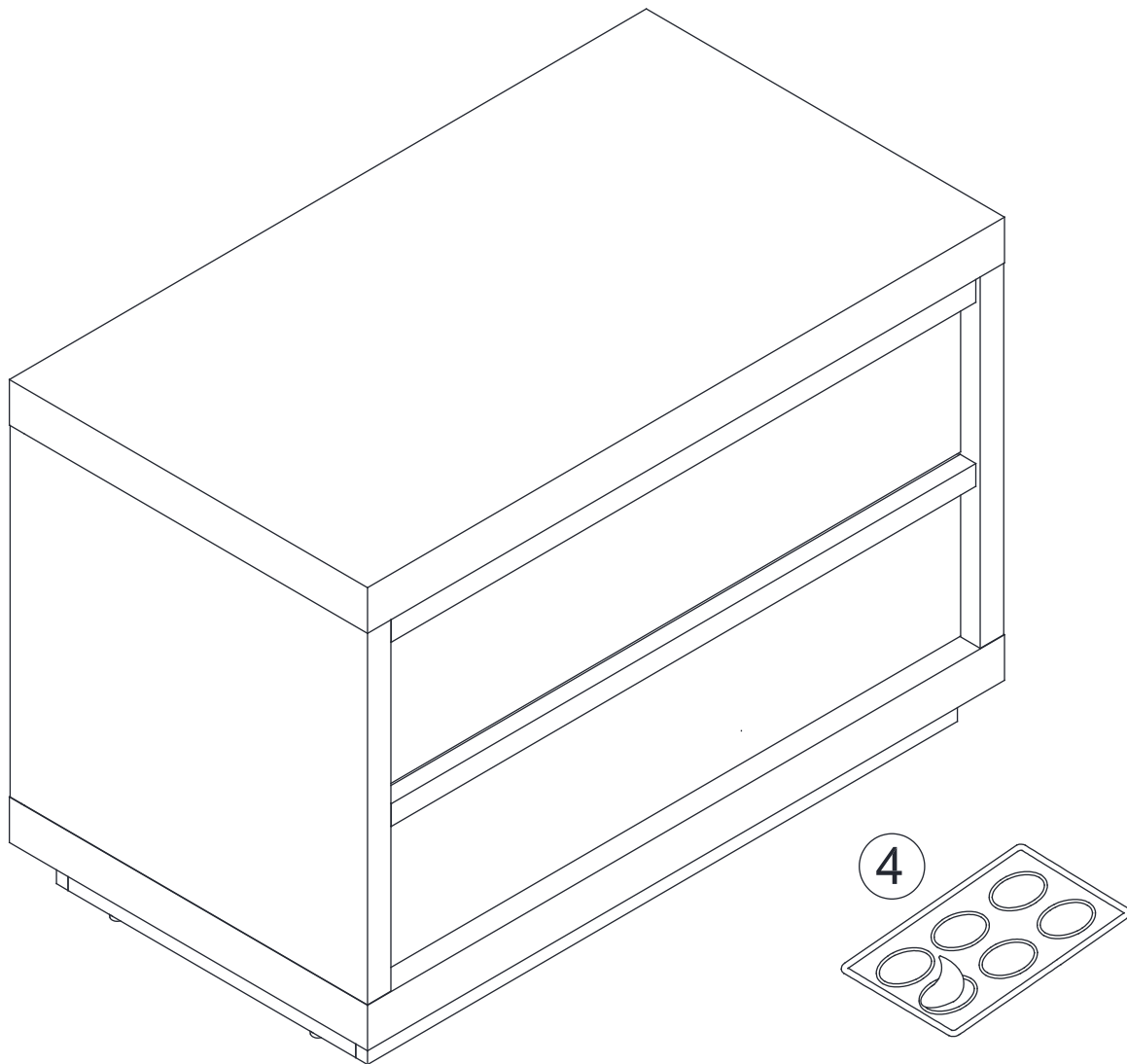
◆ Insert the Back Panel Clips (5) into the gaps between the Top Panel (A), the Bottom panel (B), and the Left and Right Side Panel (C, D) of the Back Panel (E), then secure them with Flat Head Screws (8).

<p>5</p>  <p>(10 PCS)</p>	<p>8 M3*16</p>  <p>(10 PCS)</p>
--	--



Step 12

- ◆ Peel off the Applique Card (4) and apply them to each visible Hidden Cam(2).





MANHATTAN COMFORT

WARRANTY POLICY

All Manhattan Comfort furniture products are warranted, to the original purchaser at the time of purchase and for a period of 30 days thereafter.

Our warranty is limited to new products purchased in factory sealed cartons. This warranty is valid in the United States of America and Canada.

In order to provide you with timely assistance, please thoroughly inspect your furniture for missing or defective parts immediately after opening the carton.

Manhattan Comfort offers a 30-day parts replacement warranty on all items.

Our furniture products are not intended for outdoor use.

THE WARRANTY DOES NOT COVER:

- Defects/damages by improper assembly or disassembly.
- Defects/damages caused by shipping. Claims for damage during transit should be placed immediately to the transportation company.
- Defects/damages caused by inappropriate use of the furniture.



319 Ridge Rd. Dayton, NJ 08810

908-888-0818