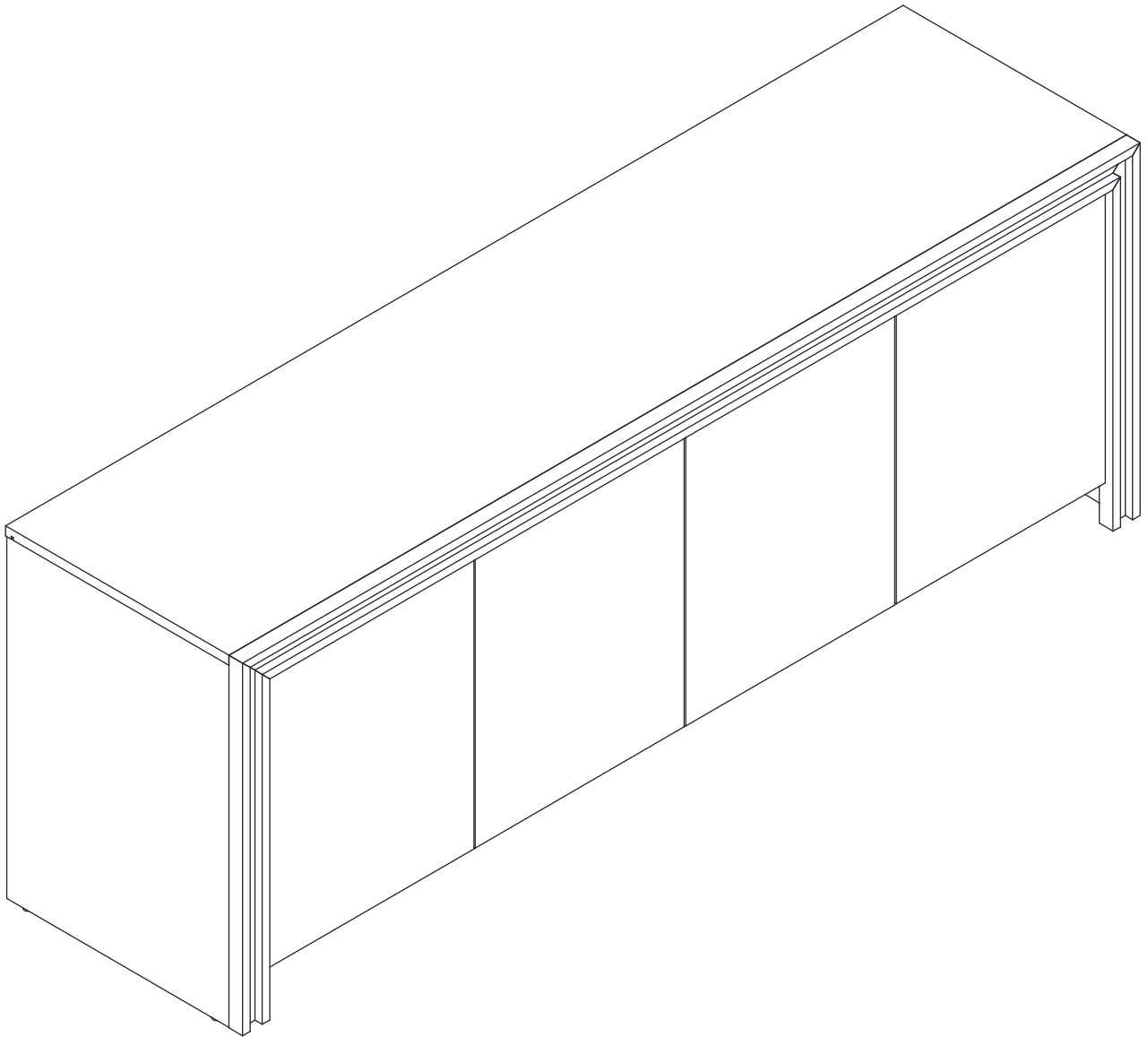




# MANHATTAN COMFORT

---

## TV1688-1



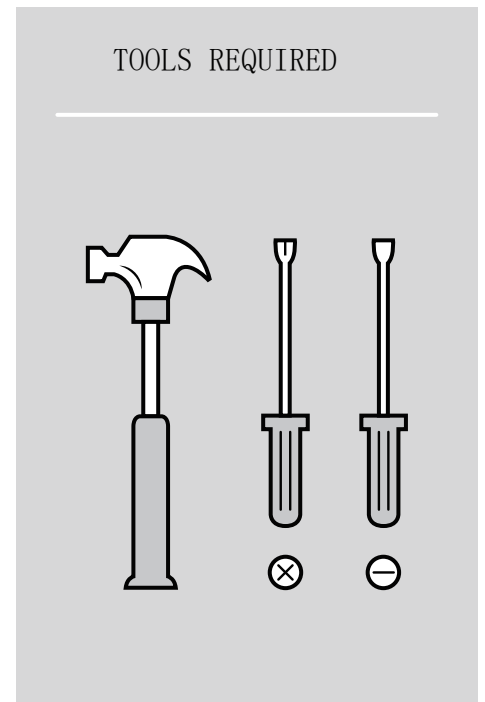
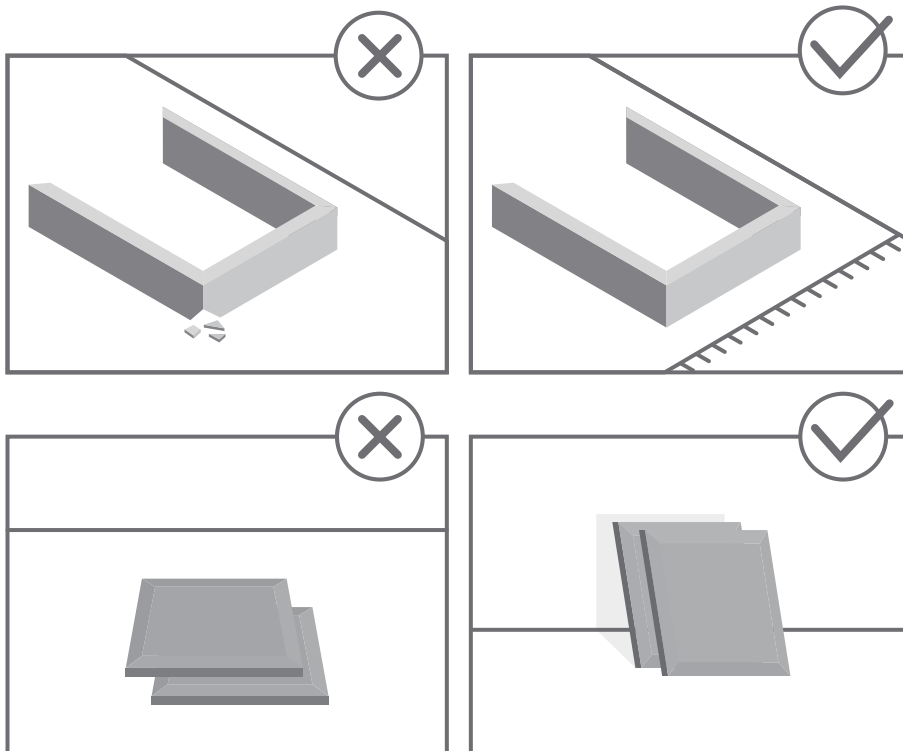


# STOP!

Before beginning the assembly process, ensure all boxes and parts have been delivered.

## FOR BEST RESULTS:

- Do not throw away packaging materials until assembly is complete.
- Assemble item on a soft surface, such as cardboard or carpet, to protect finish.
- Proper assembly requires two people.



View our assembly video online:  
[WWW.MANHATTANCOMFORT.COM](http://WWW.MANHATTANCOMFORT.COM)



Stuck? Question? We are here to help.  
tel 1908-888-0818  
e-mail: [help@manhattancomfort.com](mailto:help@manhattancomfort.com)

Support Site



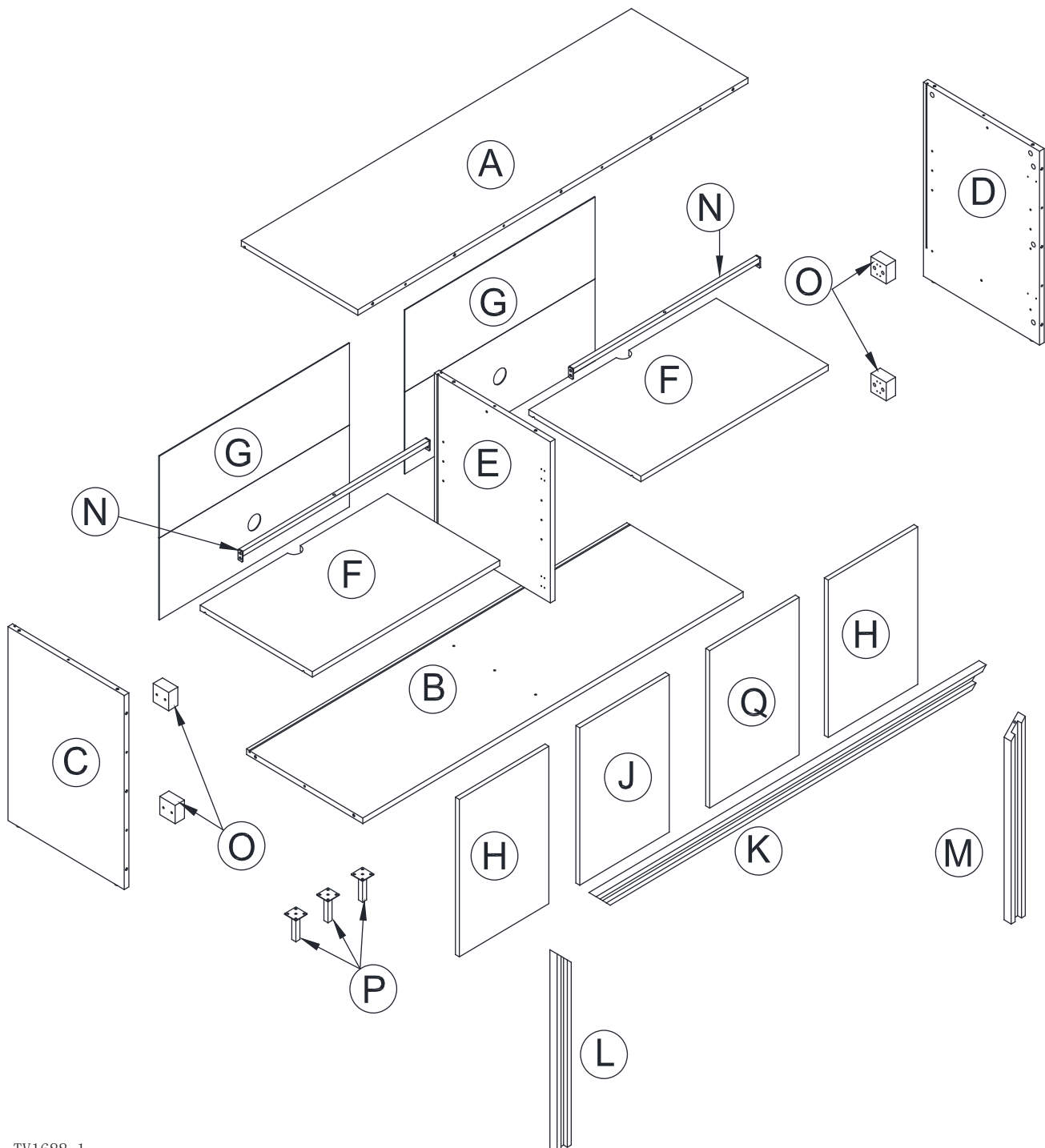
# Included in this package:

## BOX01/02

- A:Top Panel (1)
- B:Bottom Panel (1)
- C:Left Side Panel (1)
- D:Right Side Panel (1)
- F:Adjustable Shelves (2)
- G:Back Panel (2)
- K:Front Deco Board (1)
- L:Left Deco Board (1)
- M:Right Deco Board (1)
- N:Connecting Tube (2)
- O:Hinge Block (4)

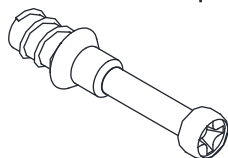
## BOX02/02

- E:Vertical Panel (1)
- H:Left and Right Doors (2)
- J:Left Center Door (1)
- P:Support Leg (3)
- Q:Right Center Door(1)
- ALL HARDWARE ARE IN BOX 02/02

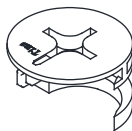


# Hardware Identification

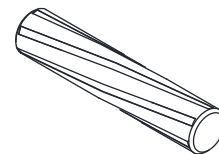
① CAM SCREW - 21pcs



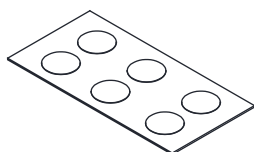
② HIDDEN CAM - 21pcs



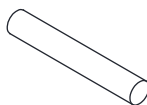
③ WOOD DOWEL - 16pcs



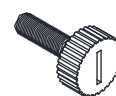
④ APPLIQUE CARD - 4pcs



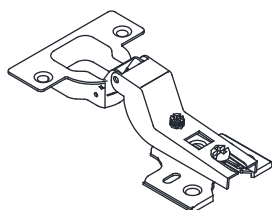
⑤ SHELF PIN: - 8pcs



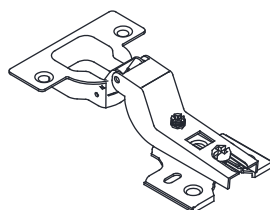
⑥ ADJUST FEET - 3pcs



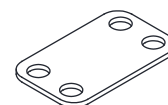
⑦ LARGE HINGE- 4pcs



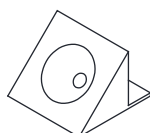
⑧ MEDIUM HINGE- 4pcs



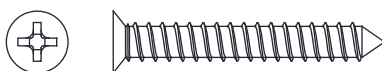
⑧ METAL PLATE- 2pcs



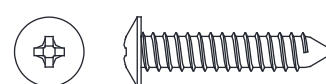
⑨ BACK PANEL CLIP - 20pcs



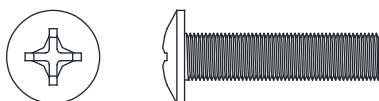
⑩ FLAT HEAD SCREW M5\*35 - 2pcs



⑪ PAN HEAD SCREW M5\*25 - 8pcs



⑫ PAN HEAD SCREW M6\*25 - 2pcs



⑬ PAN HEAD SCREW M6\*12 - 4pcs



⑭ PAN HEAD SCREW M4\*12 - 8pcs



⑮ FLAT HEAD SCREW M4\*12 - 48pcs

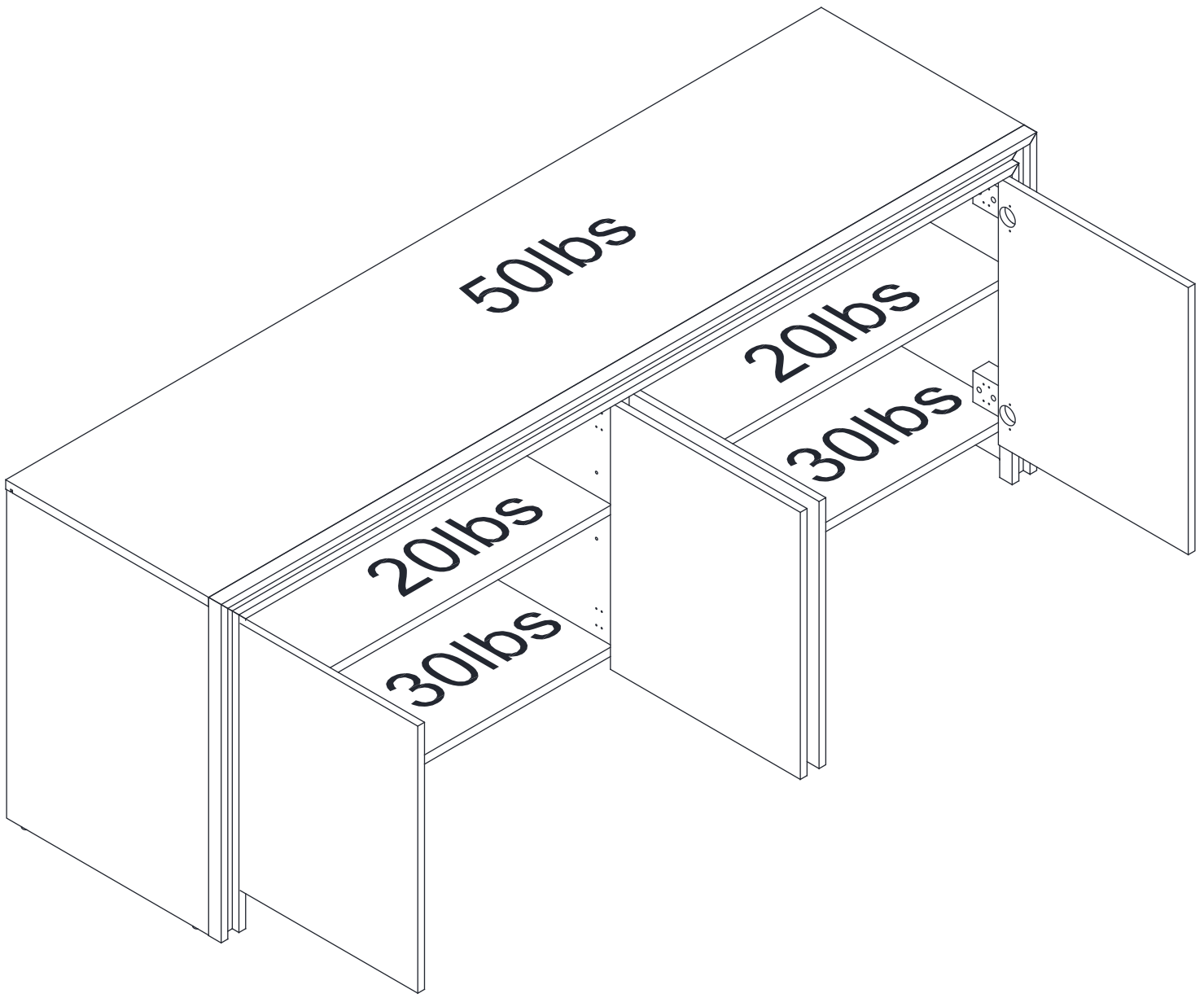


⑯ FLAT HEAD SCREW M3\*16 - 20pcs



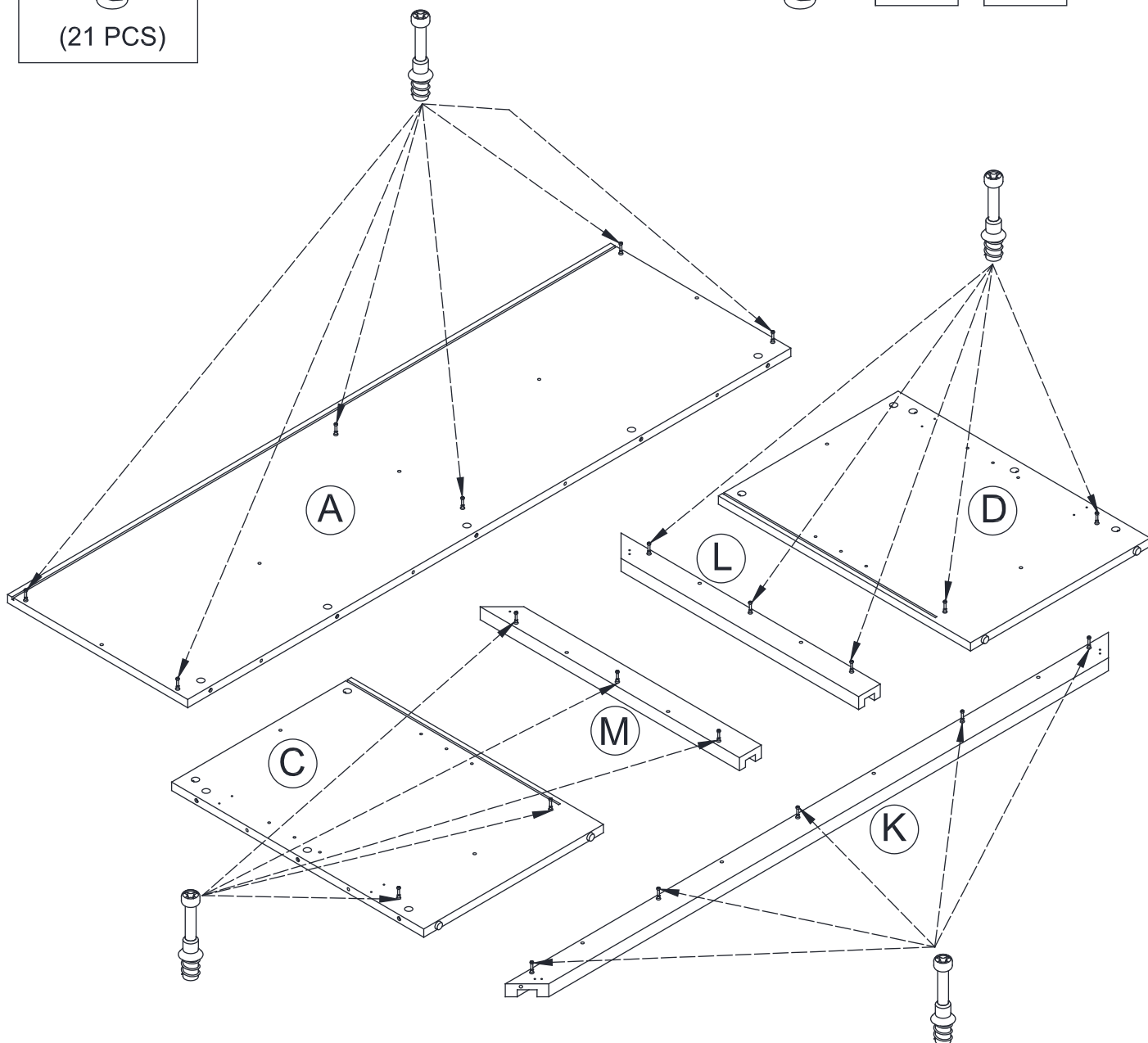
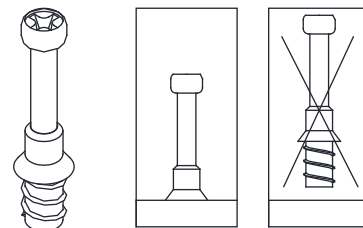
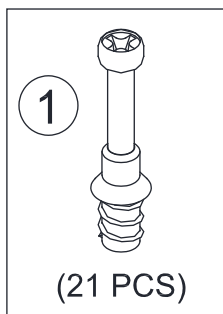
⑰ PAN HEAD SCREW M4\*10 - 12pcs





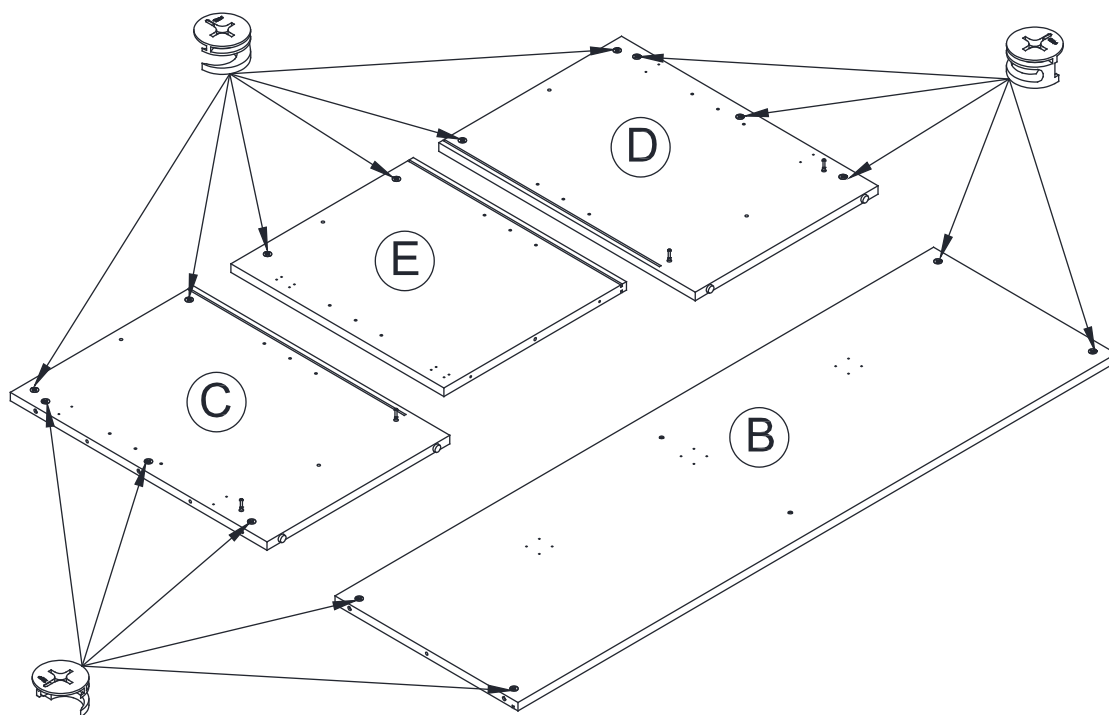
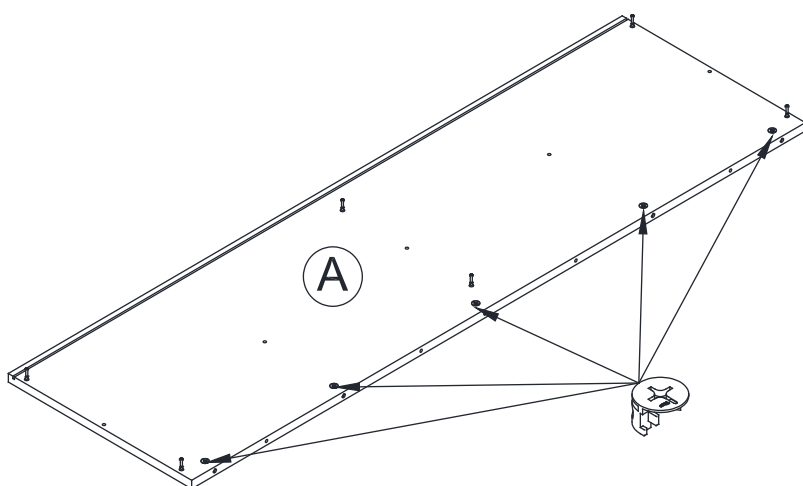
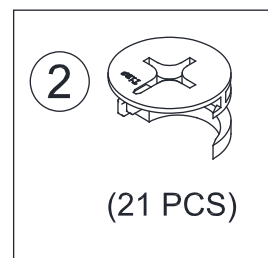
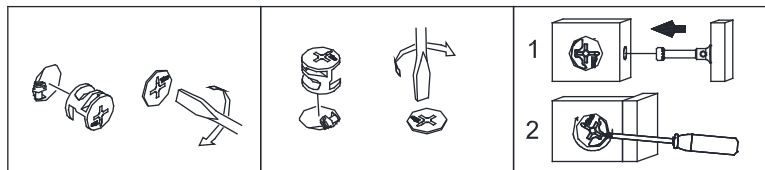
# Step 1

- ◆ Screw 21 Cam Screw (1) into the Top Panel (A), Left and Right side panels (C, D), Front Deco Board (K), and Left and Right Deco Board (L, M).



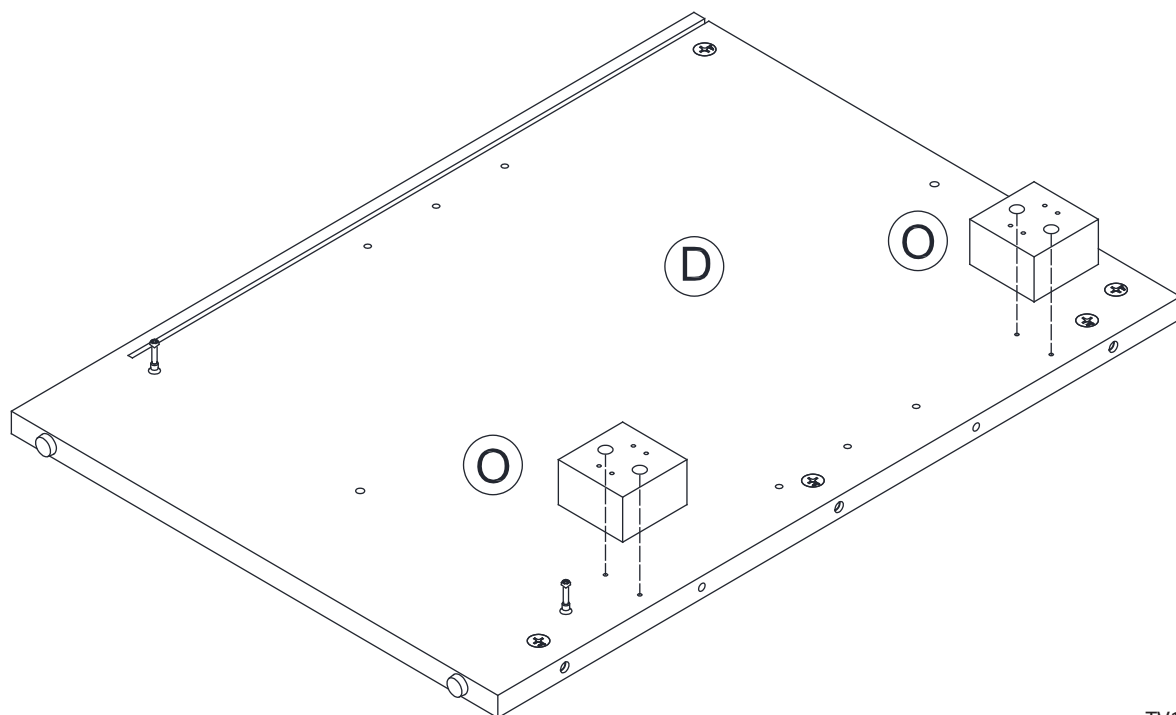
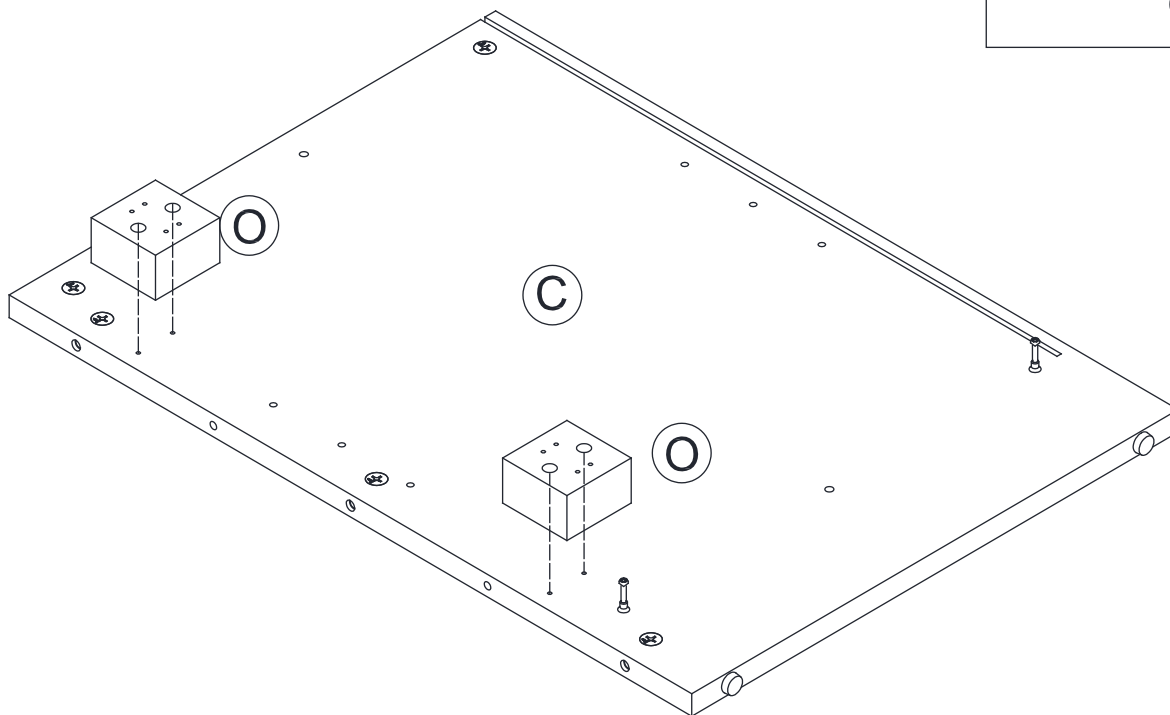
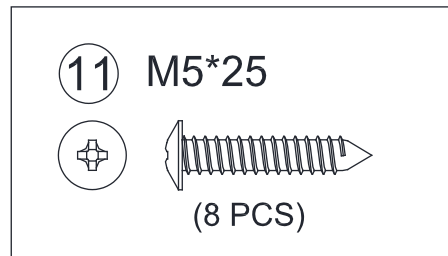
# Step 2

- ◆ Screw 21 Hidden Cam (2) into the Top Panel (A), Left and Right Side Panel (C,D), Vertical Panel (E), and Bottom Panel (B)



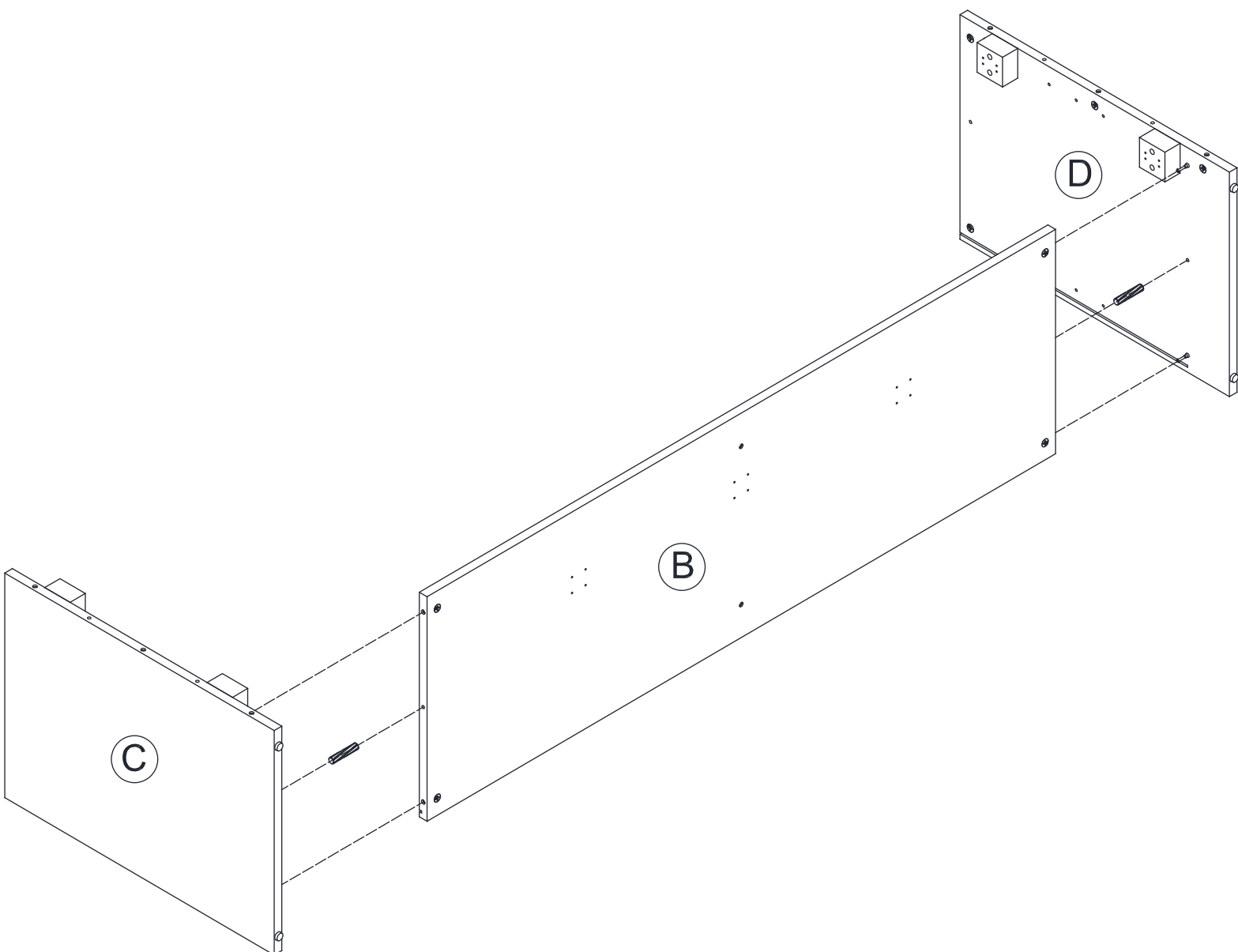
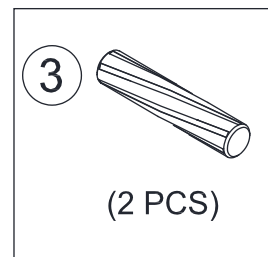
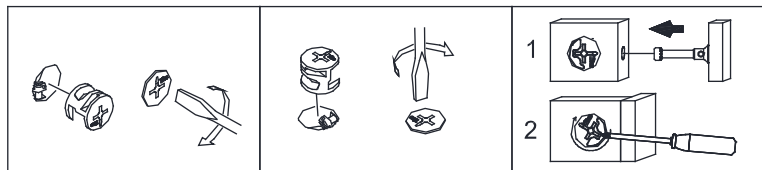
# Step 3

- ◆ Screw Pan Head Screws (11) to secure the Hinge Block (O) onto the Left and Right Side Panels (C, D).



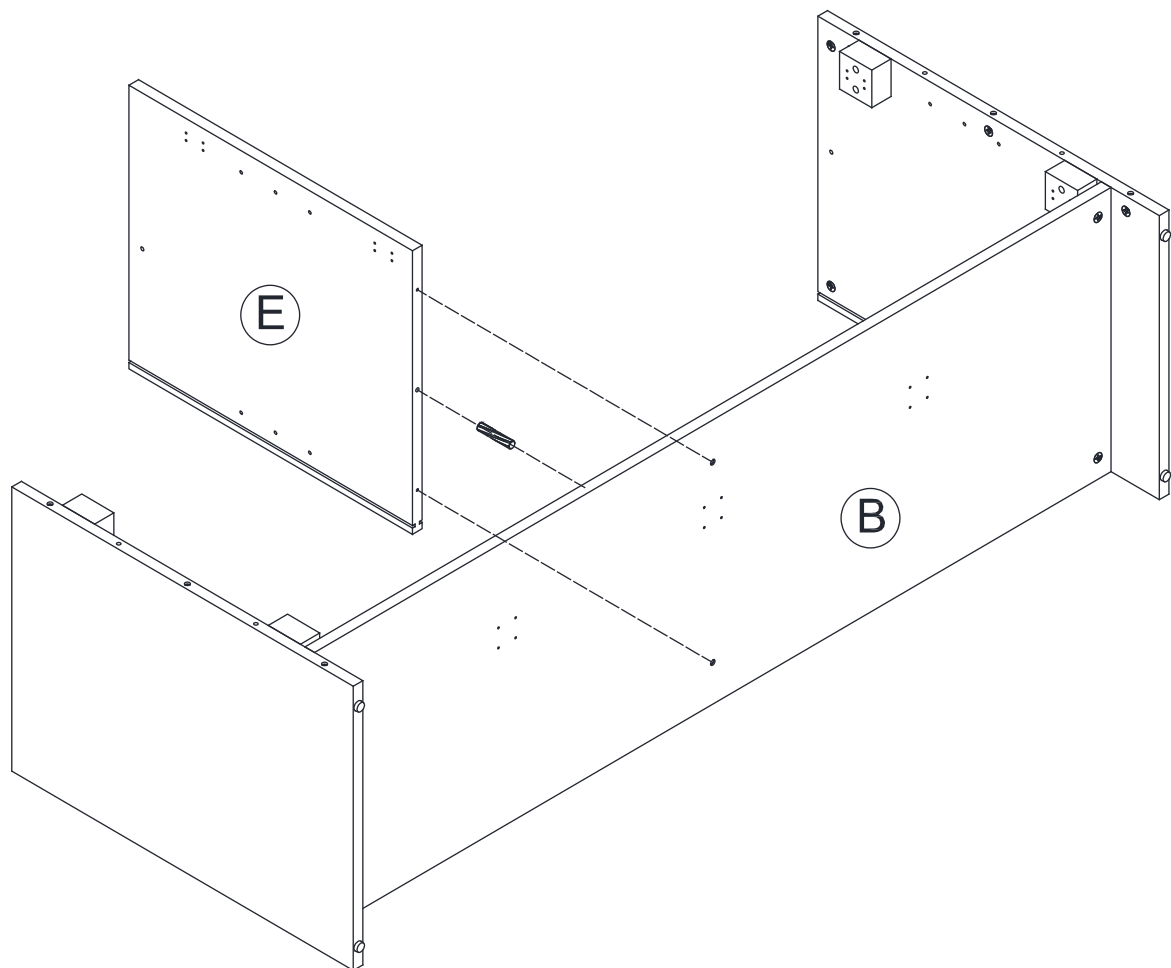
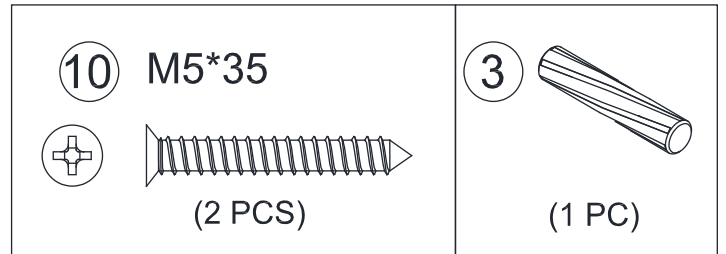
# Step 4

- ◆ Using Wood Dowel (3) and Hidden Cam (2) to secure the Left and Right Side Panels (C, D) onto the Bottom Panel (B).



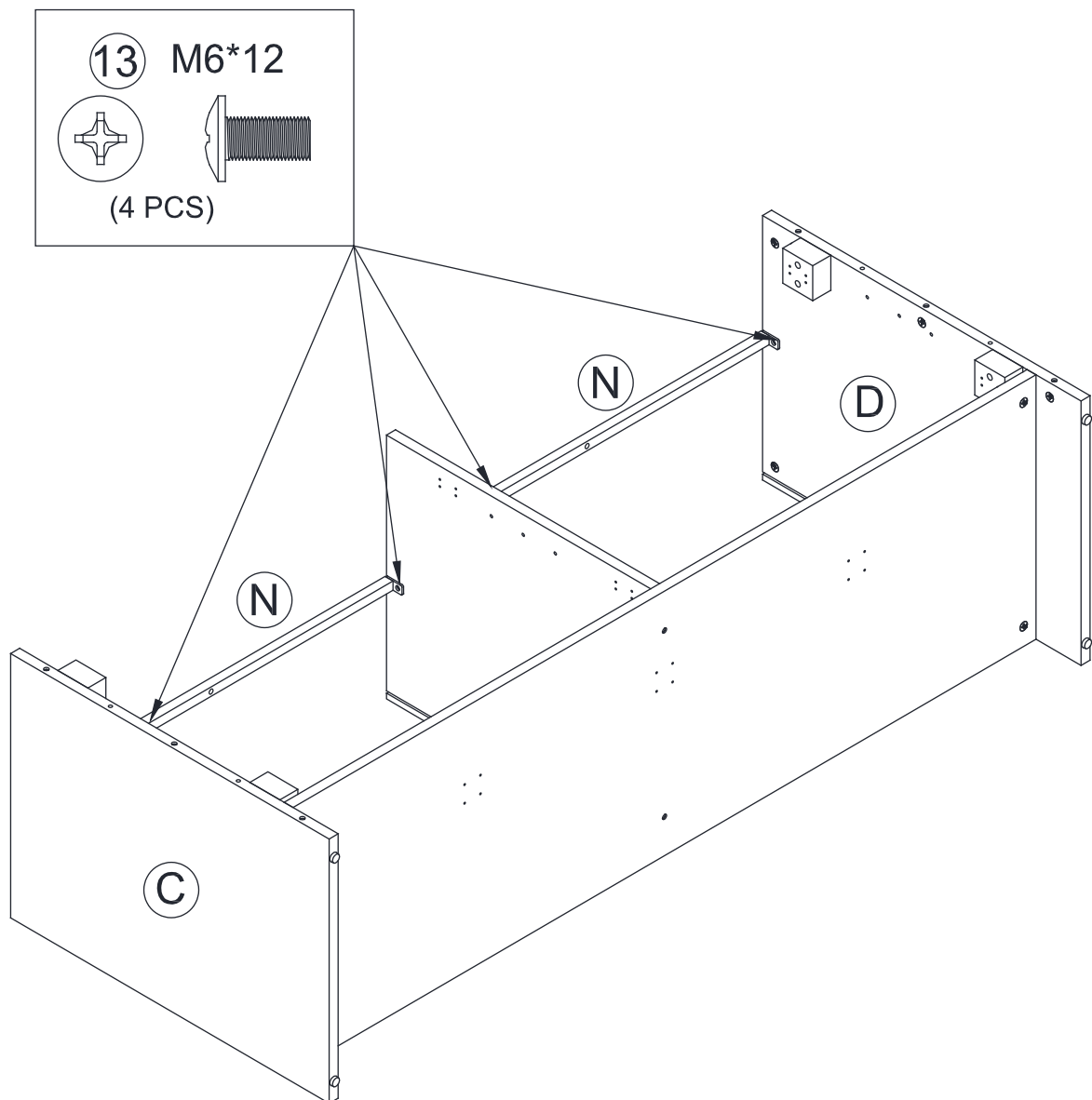
# Step 5

- ◆ Using Wood Dowel (3) and Flat Head Screws (10) to secure the Vertical Panel (E) onto the Bottom Panel (B).



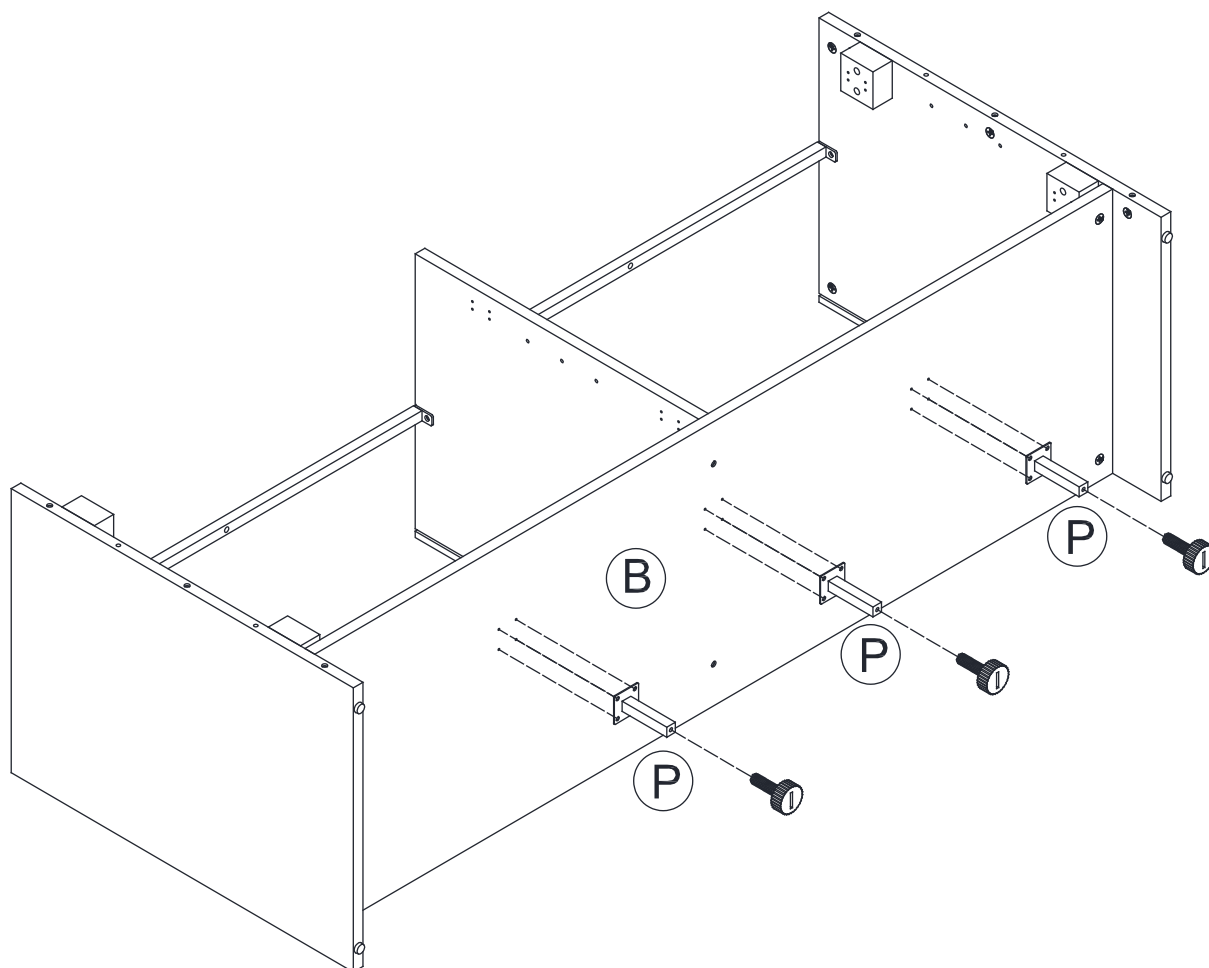
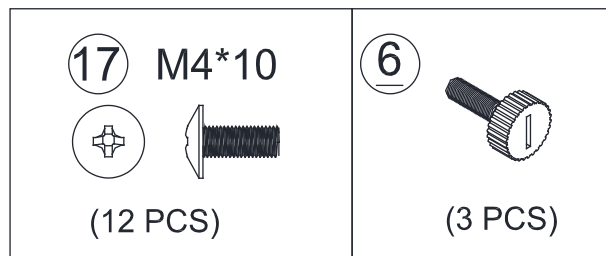
# Step 6

- ◆ Using Pan Head Screws (13), secure the Connecting Tube (N) to the Vertical Panel (E) and the Left and Right Side Panels (C, D).



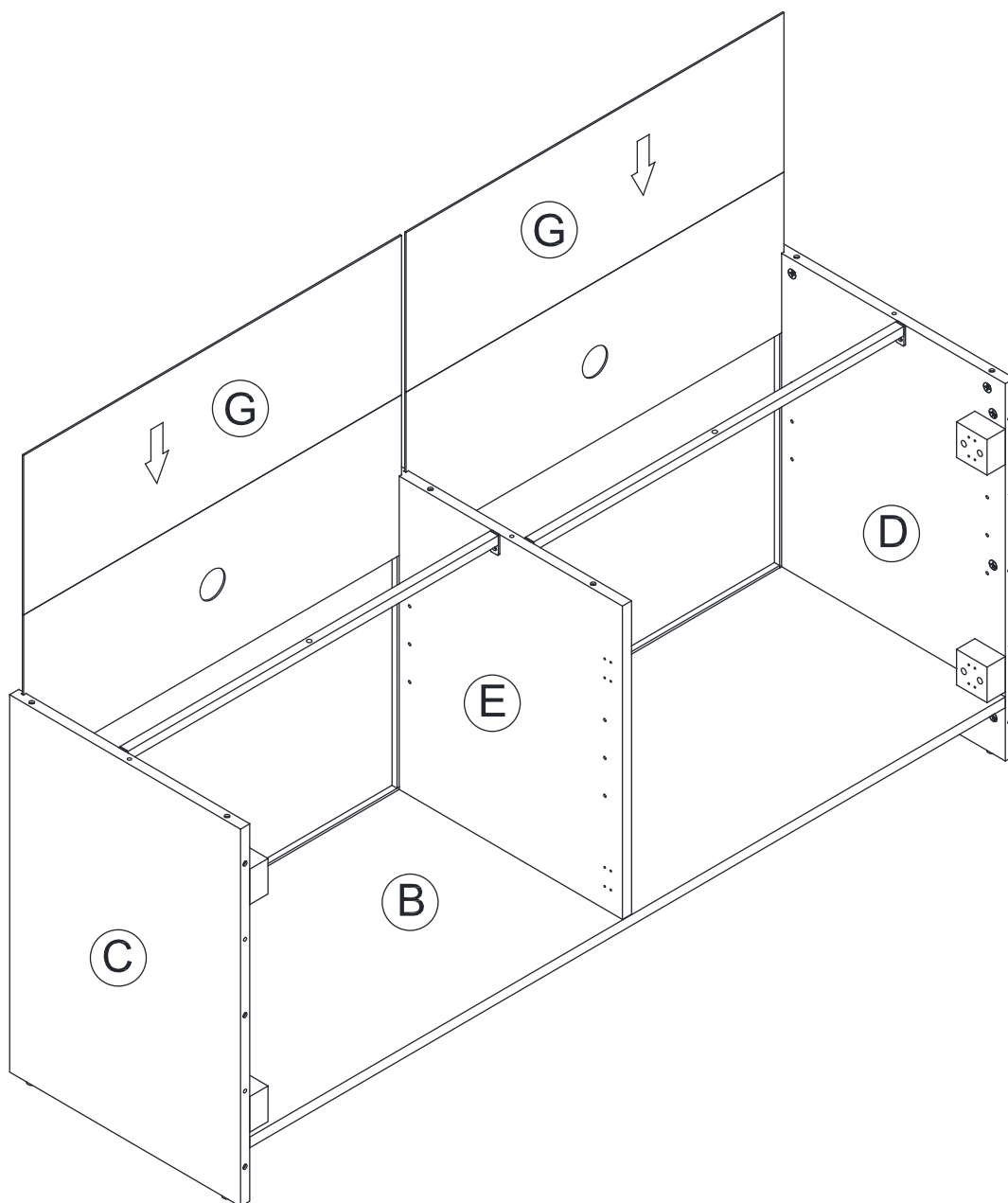
# Step 7

- ◆ Attach the Support Legs (P) to the Bottom Panel (B) with Pan Head Screws (17). Then install the Adjustable feet (6) into the Support Legs (P).



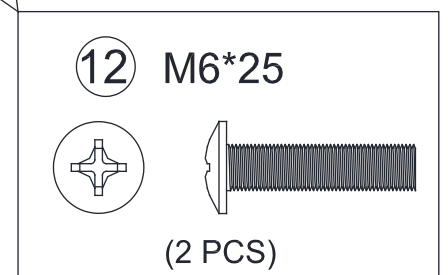
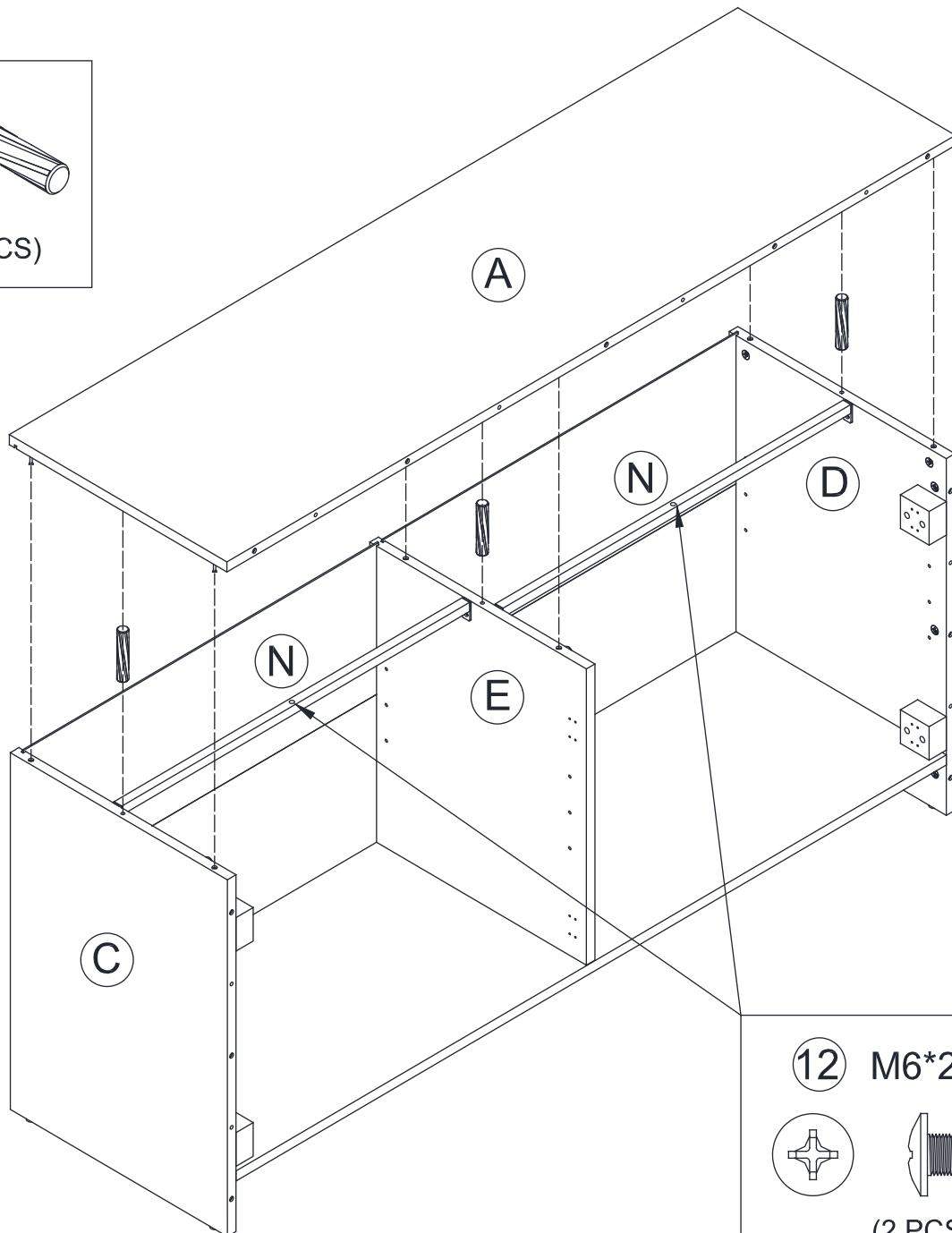
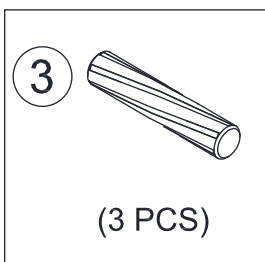
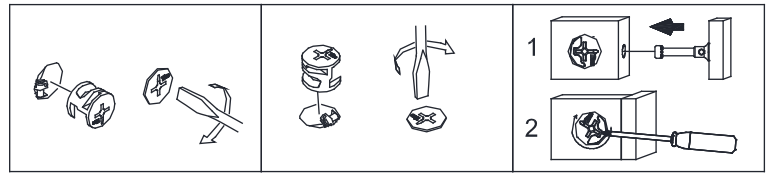
# Step 8

- ◆ Slide the Back Panel (G) into the grooves of the Left and Right Side Panels (C, D), the Vertical Panel (E), and the Bottom Panel (B).



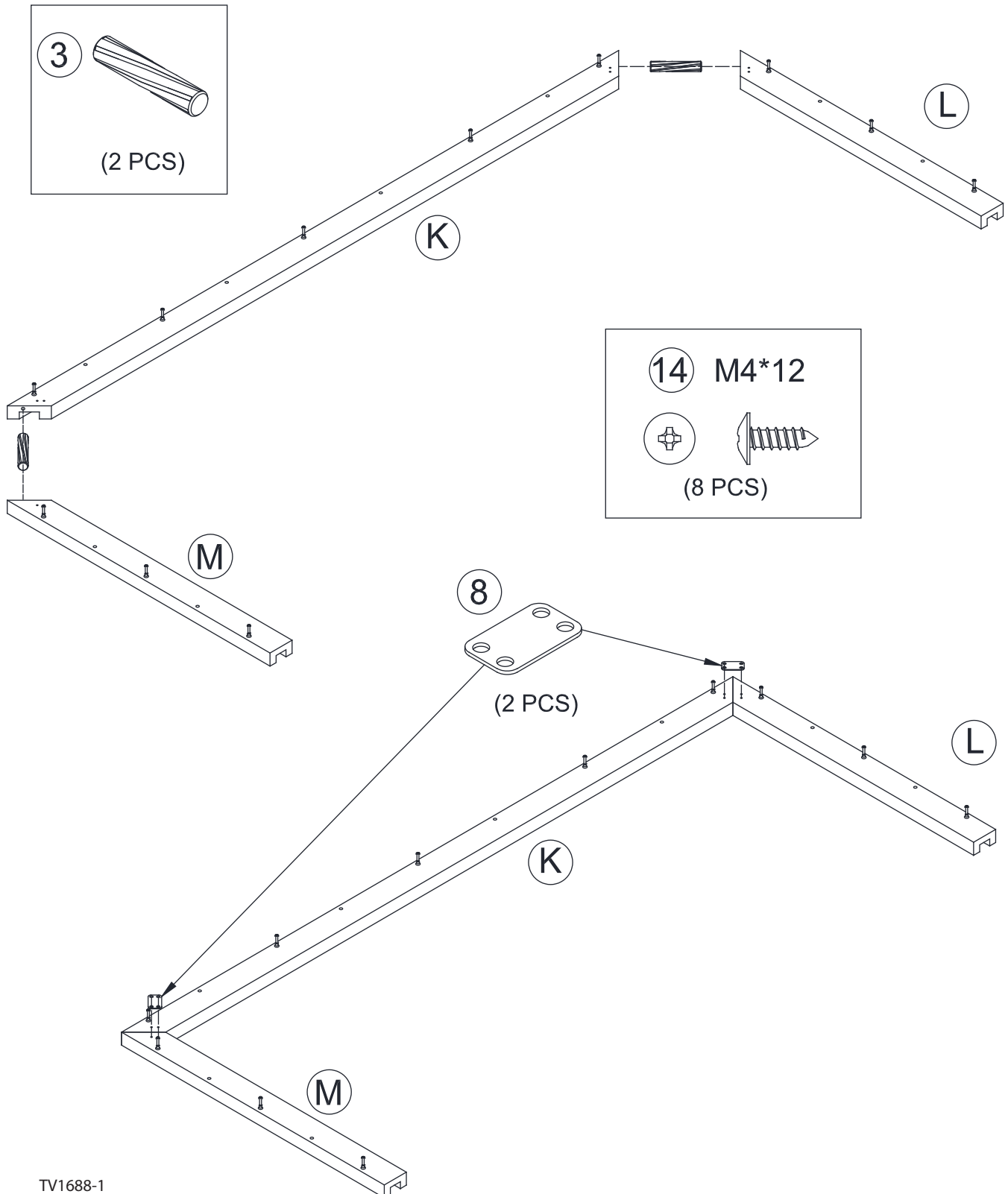
# Step 9

- ◆ Using Wood Dowel (3), Hidden Cam (2), and Pan Head Screws (12), secure the Top Panel (A) to the Left and Right Side Panels (C, D), the Vertical Panel (E), and the Connecting Tube (N).



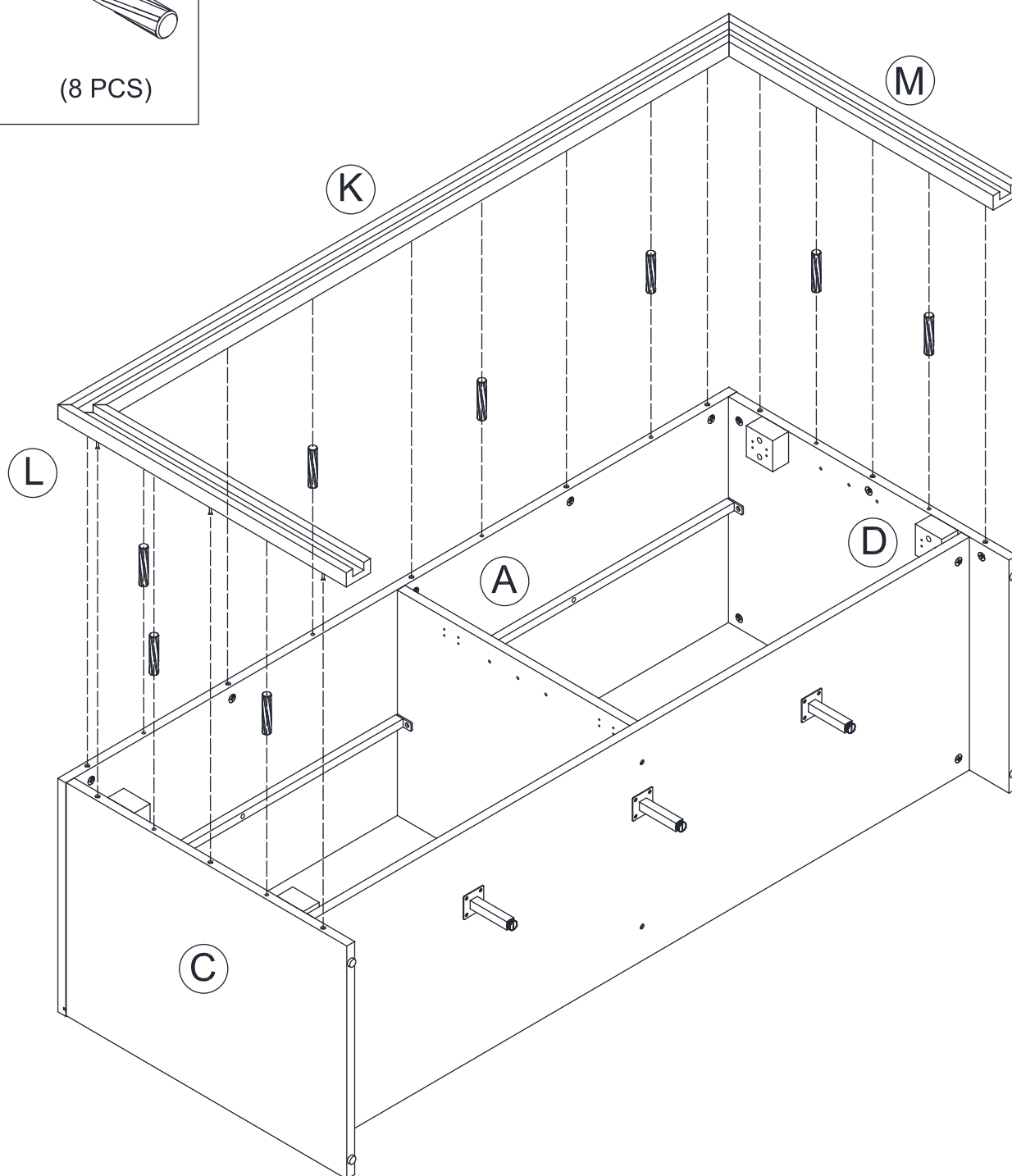
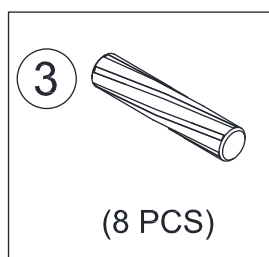
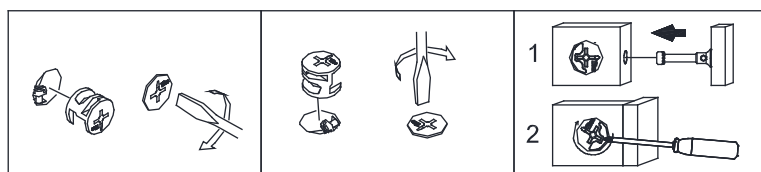
# Step 10

- ◆ Using Wood Dowel (3), connect the Left and Right Deco Board (L, M) to the Front Deco Board (K). Then use Pan Head Screws (14) and Metal Plate (8) to secure Left and Right Deco Board (L, M) and the Front Deco Board (K).



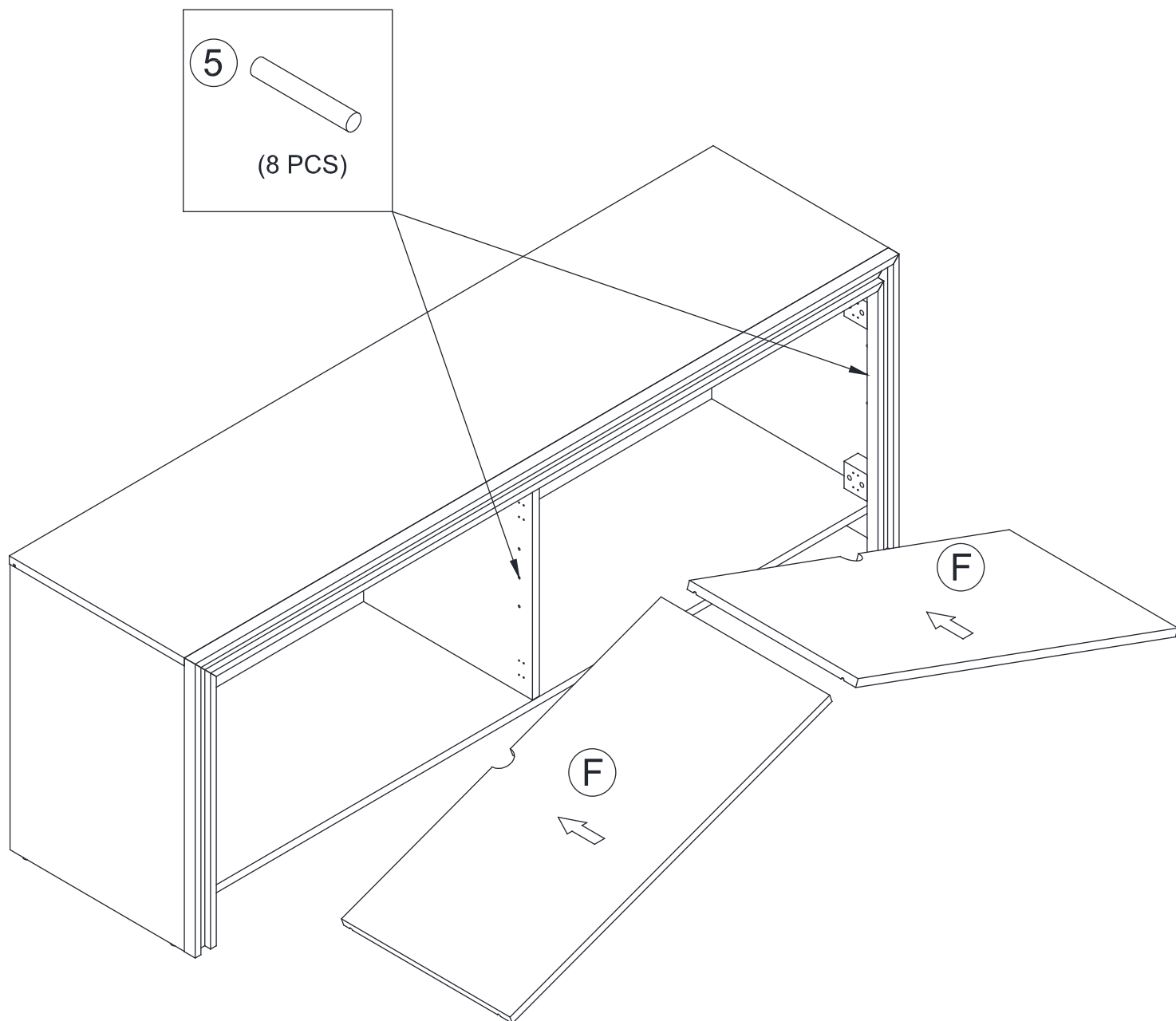
# Step 11

- ◆ Using Wood Dowel (3) and Hidden Cam (2), secure the Front Deco Board (K) and the Left and Right Deco Board (L, M) to the Top Panel (A) and the Left and Right Side Panels (C, D).



# Step 12

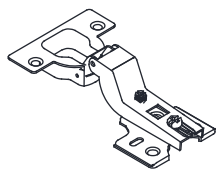
- ◆ Insert the Shelf Pins (5) into the Left and Right Side Panels (C, D) and the Vertical Panel (E). Then place the Adjustable Shelves (F) flat onto the Shelf Pins (5).



# Step 13

- ◆ Using Flat Head Screws (15), secure the Medium Hinge (18) to the Left Center Door (J) and the Right Center Door (Q).

18 X4



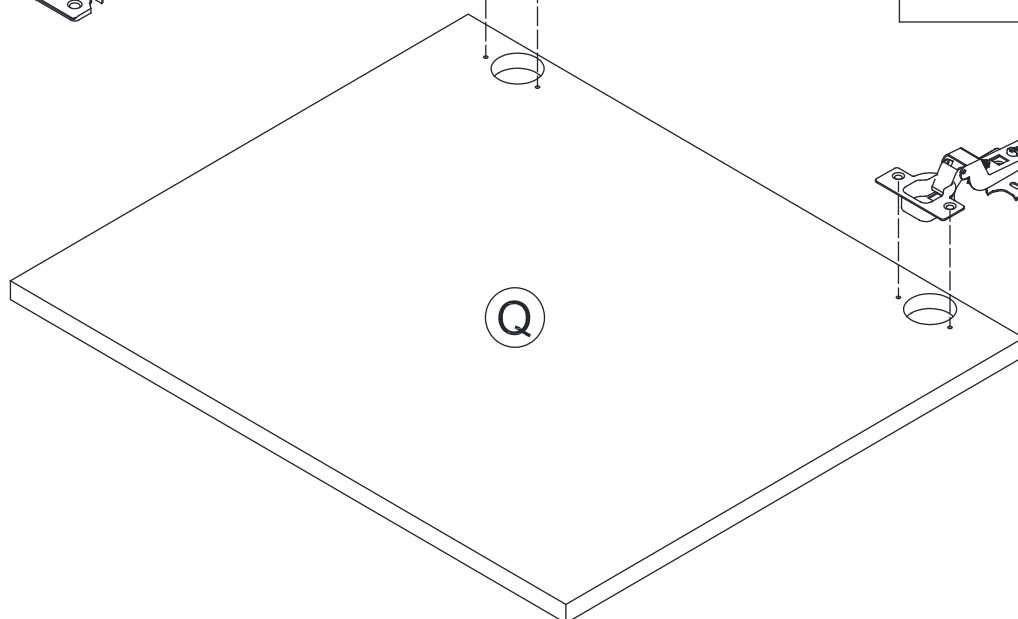
18



15 M4\*12



(8 PCS)



18

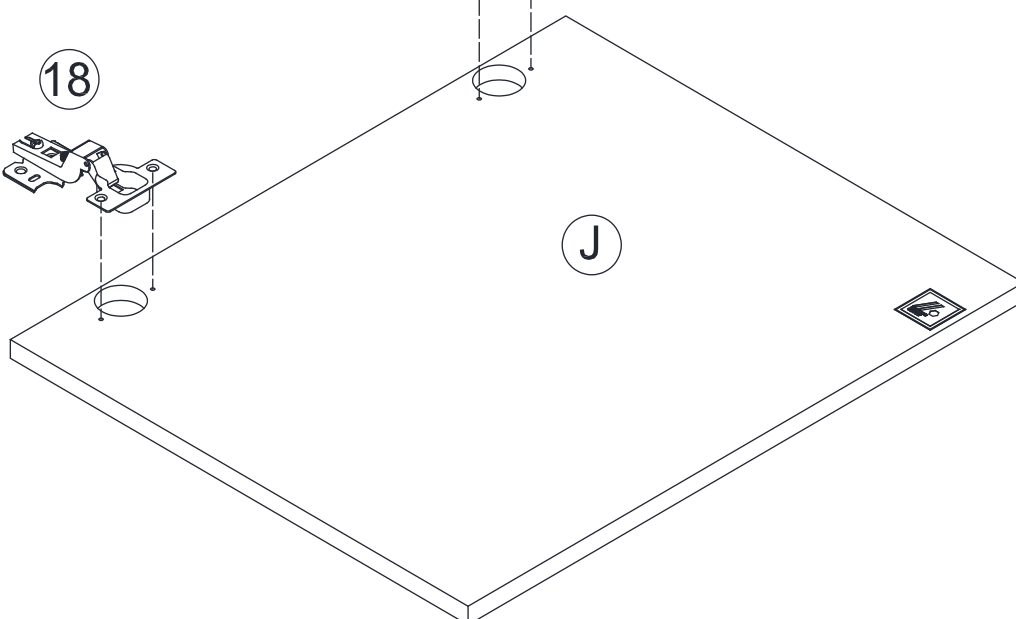
18



18



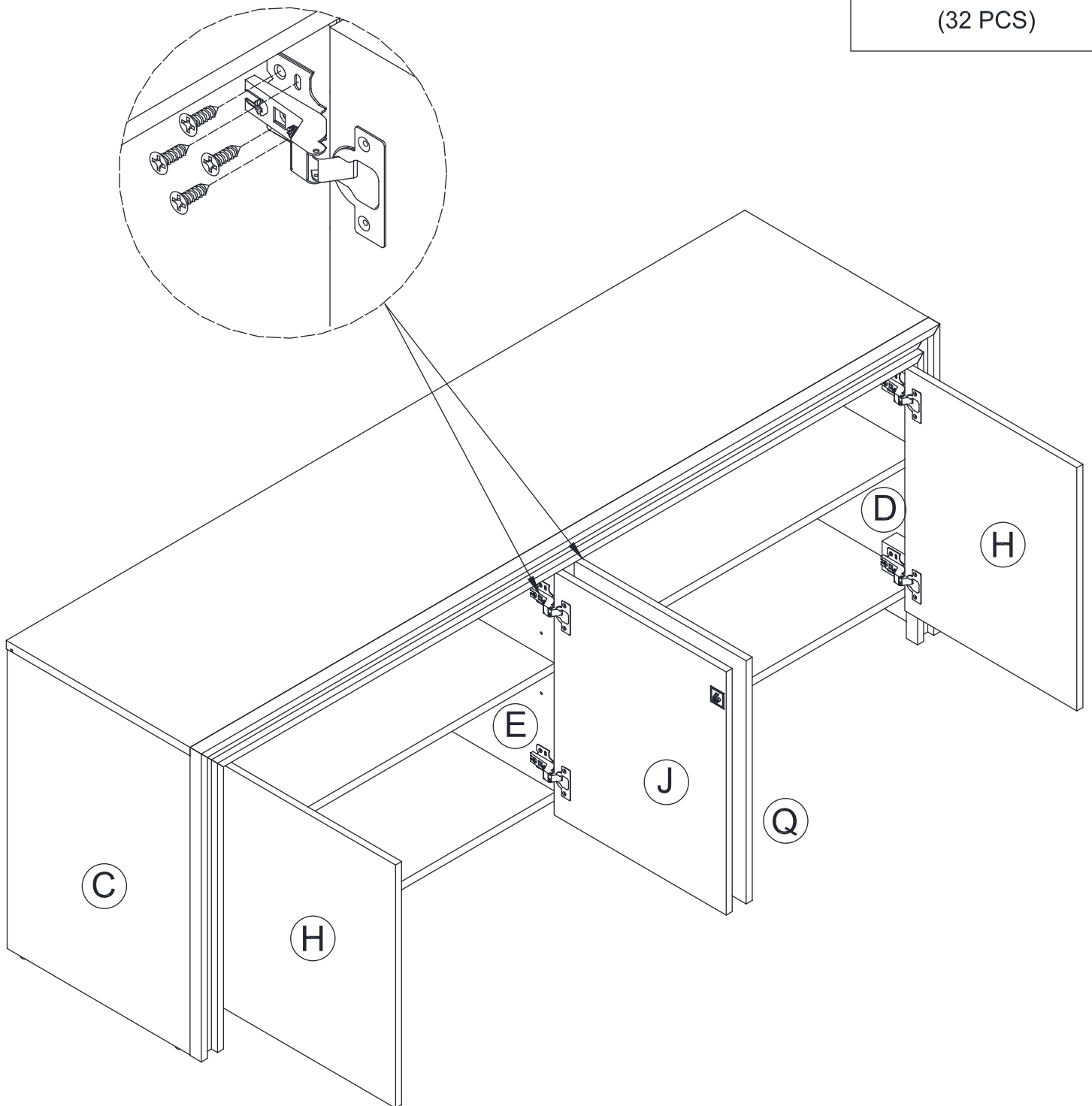
J





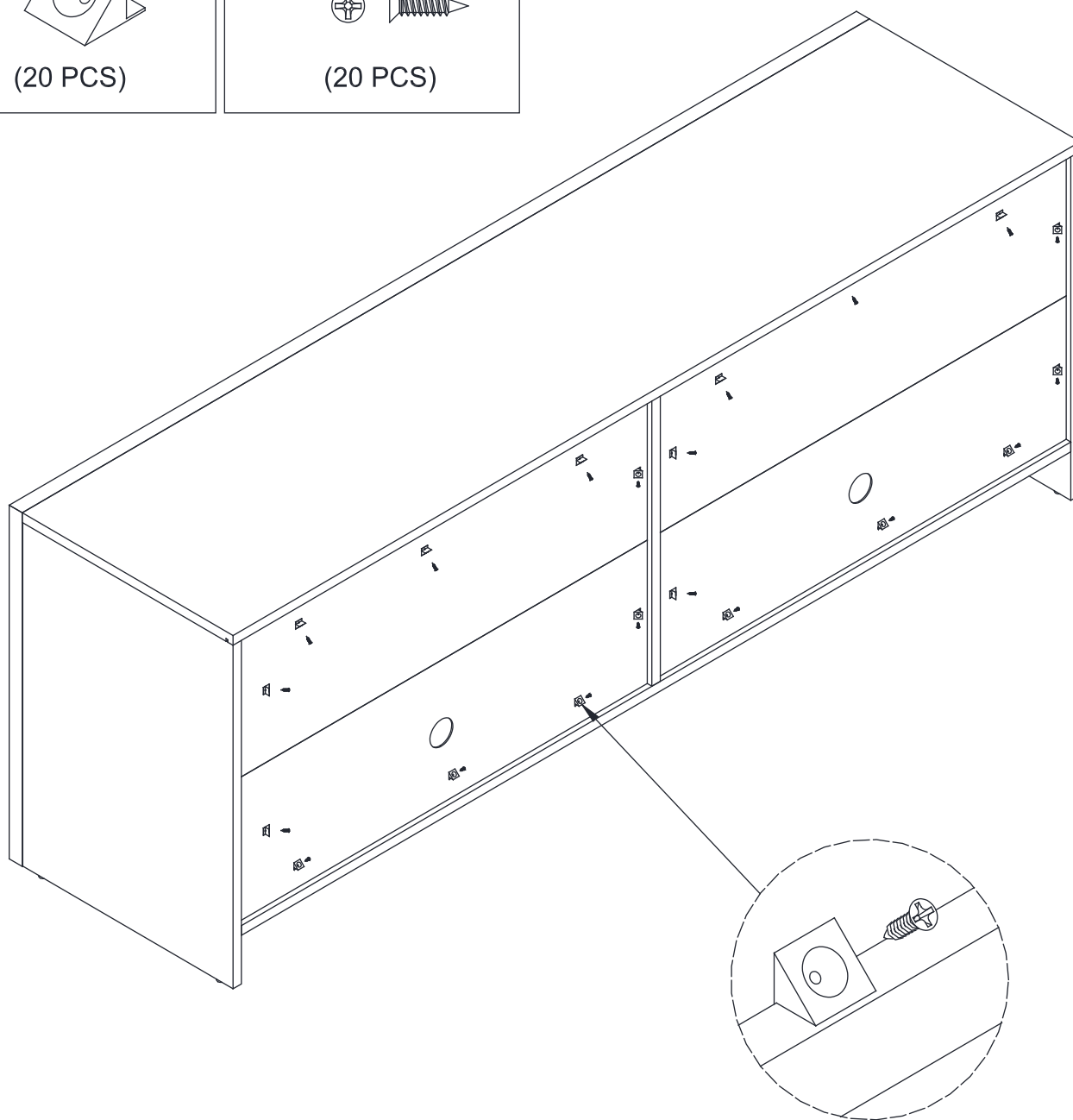
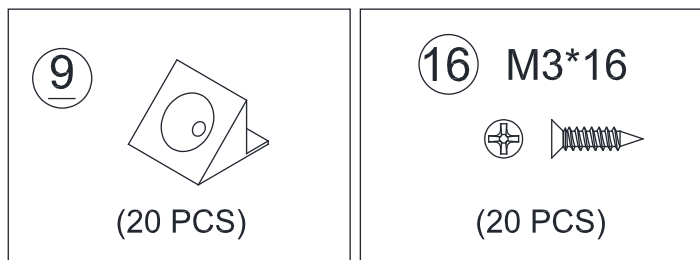
# Step 15

- ◆ Using Flat Head Screws (15), secure the Left Center Door (J), the Right Center Door (Q) and the Left and Right Doors (H) to the the Left and Right Side Panels (C, D) and the Vertical Panel (E).



# Step 16

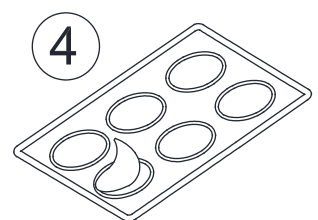
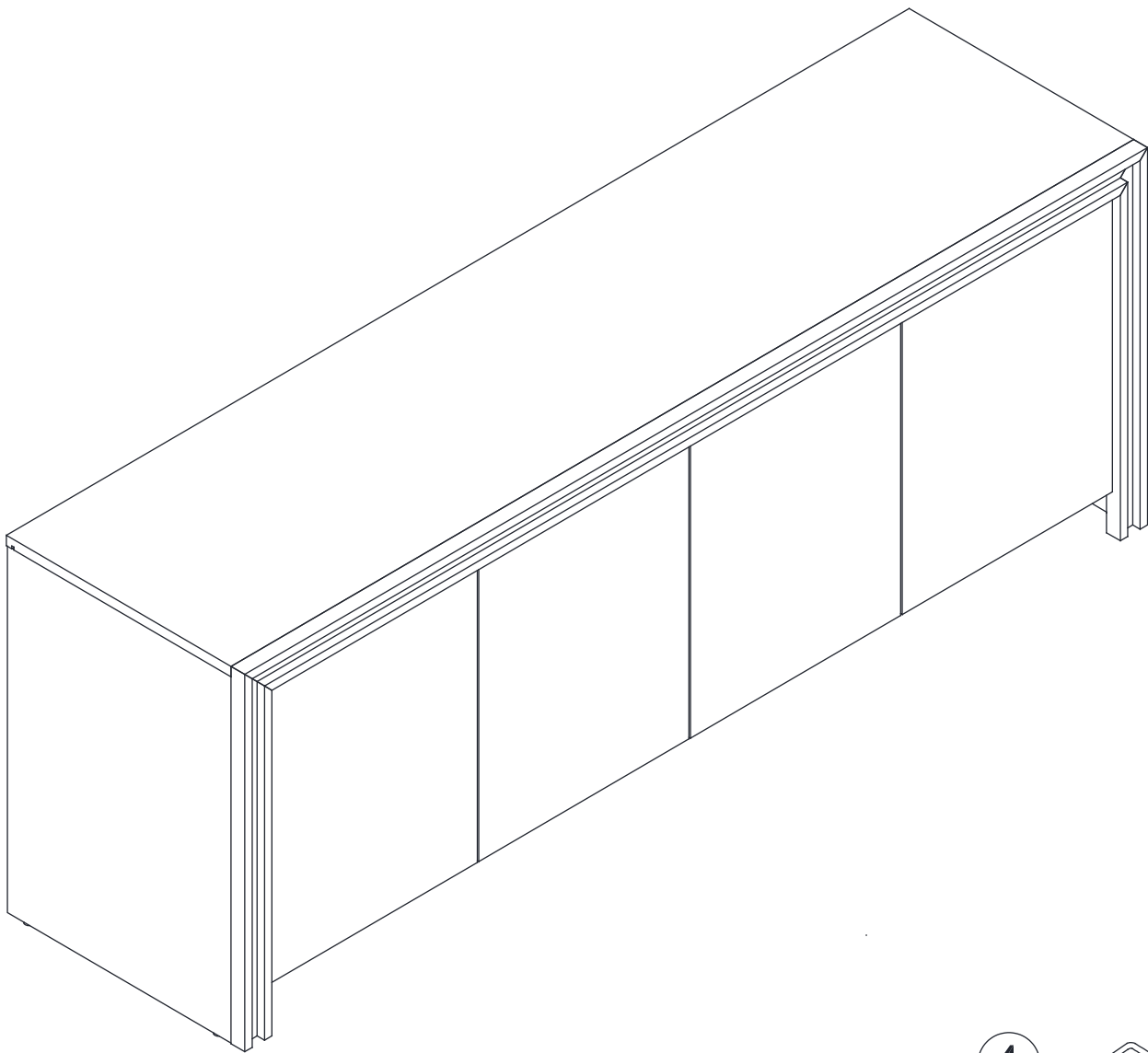
- ◆ Insert the Back Panel Clips (9) into the gaps between the Top Panel (A), the Bottom panel (B), the Left and Right Side Panel (C, D) and the Vertical Panel (E) of the Back Panel (G), then secure them with Flat Head Screws (16).



# Step 17

---

- ◆ Peel off the Applique Card (4) and apply them to each visible Hidden Cam(2).





# MANHATTAN COMFORT

---

## WARRANTY POLICY

All Manhattan Comfort furniture products are warranted, to the original purchaser at the time of purchase and for a period of 30 days thereafter.

Our warranty is limited to new products purchased in factory sealed cartons. This warranty is valid in the United States of America and Canada.

In order to provide you with timely assistance, please thoroughly inspect your furniture for missing or defective parts immediately after opening the carton.

Manhattan Comfort offers a 30-day parts replacement warranty on all items.

Our furniture products are not intended for outdoor use.

### THE WARRANTY DOES NOT COVER:

- Defects/damages by improper assembly or disassembly.
- Defects/damages caused by shipping. Claims for damage during transit should be placed immediately to the transportation company.
- Defects/damages caused by inappropriate use of the furniture.



319 Ridge Rd. Dayton, NJ 08810

908-888-0818