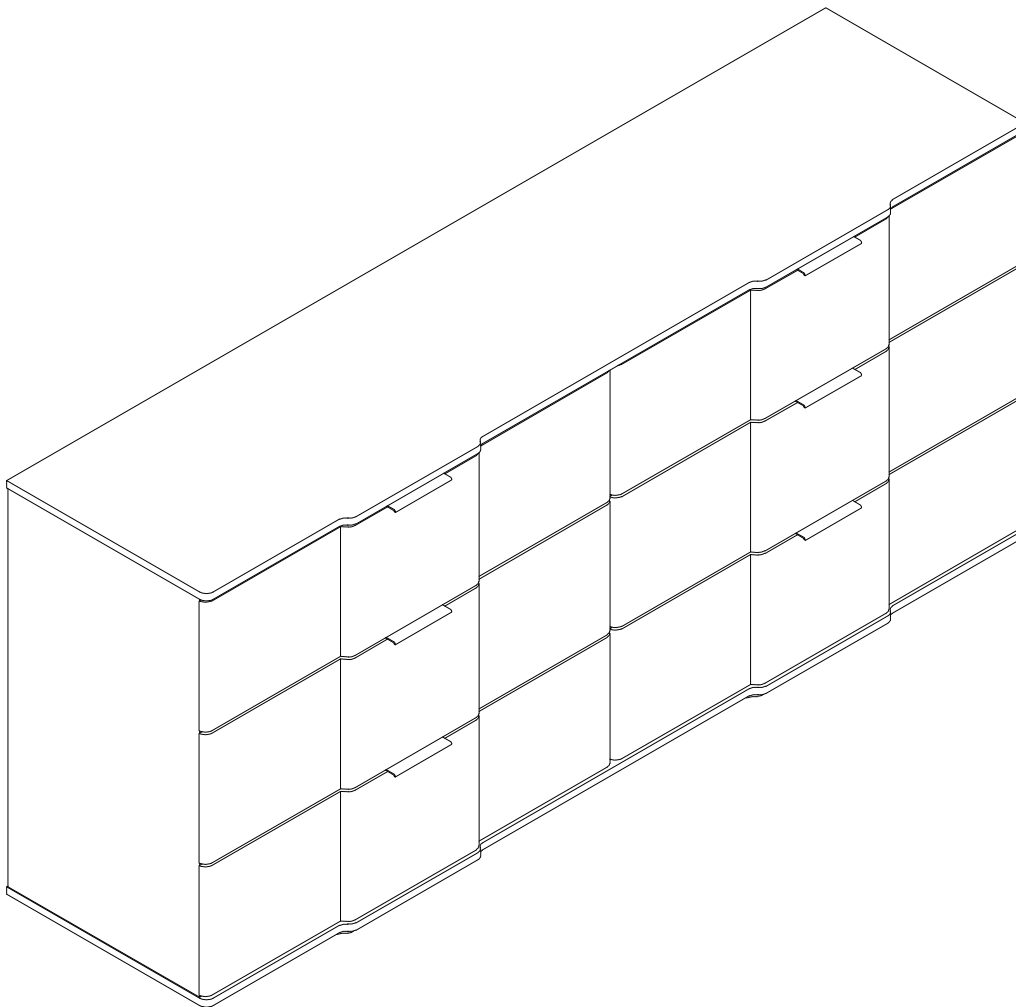


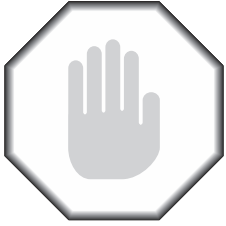


**MANHATTAN  
COMFORT**

---

**DR1562**



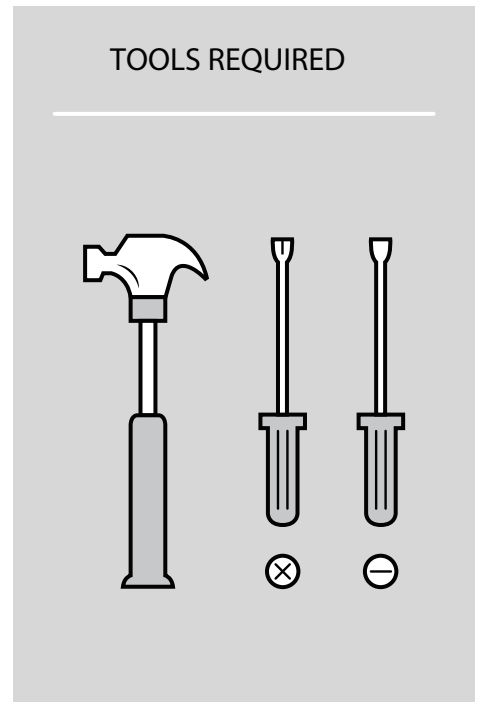
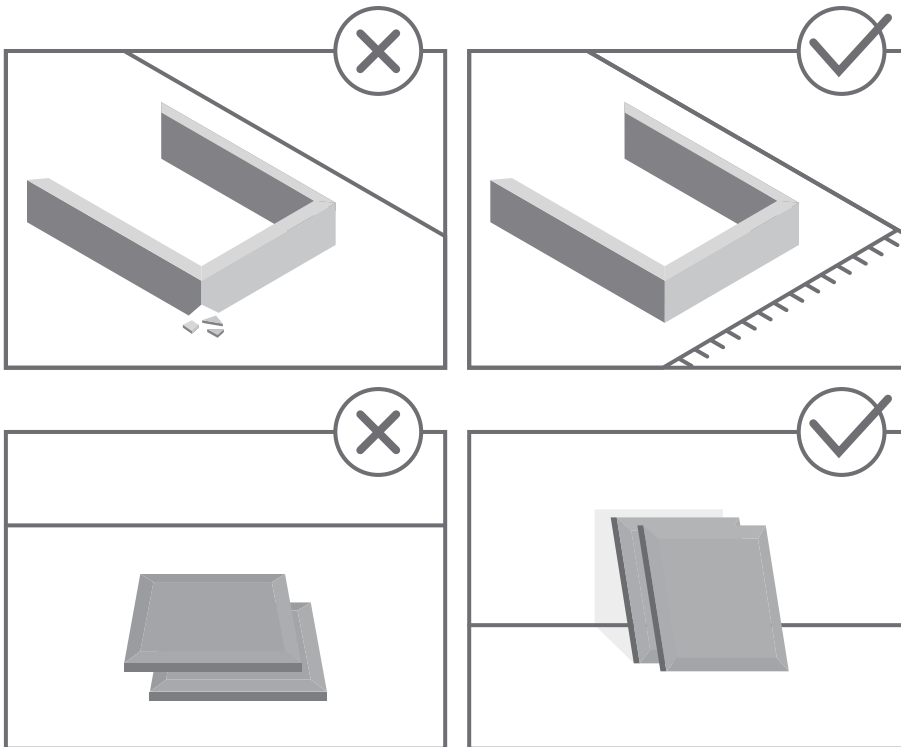


# STOP!

Before beginning the assembly process, ensure all boxes and parts have been delivered.

## FOR BEST RESULTS:

- Do not throw away packaging materials until assembly is complete.
- Assemble item on a soft surface, such as cardboard or carpet, to protect finish.
- Proper assembly requires two people.



View our assembly video online:  
[WWW.MANHATTANCOMFORT.COM](http://WWW.MANHATTANCOMFORT.COM)



Stuck? Question? We are here to help.  
tel: 908-888-0818  
e-mail: [help@manhattancomfort.com](mailto:help@manhattancomfort.com)

## Support Site



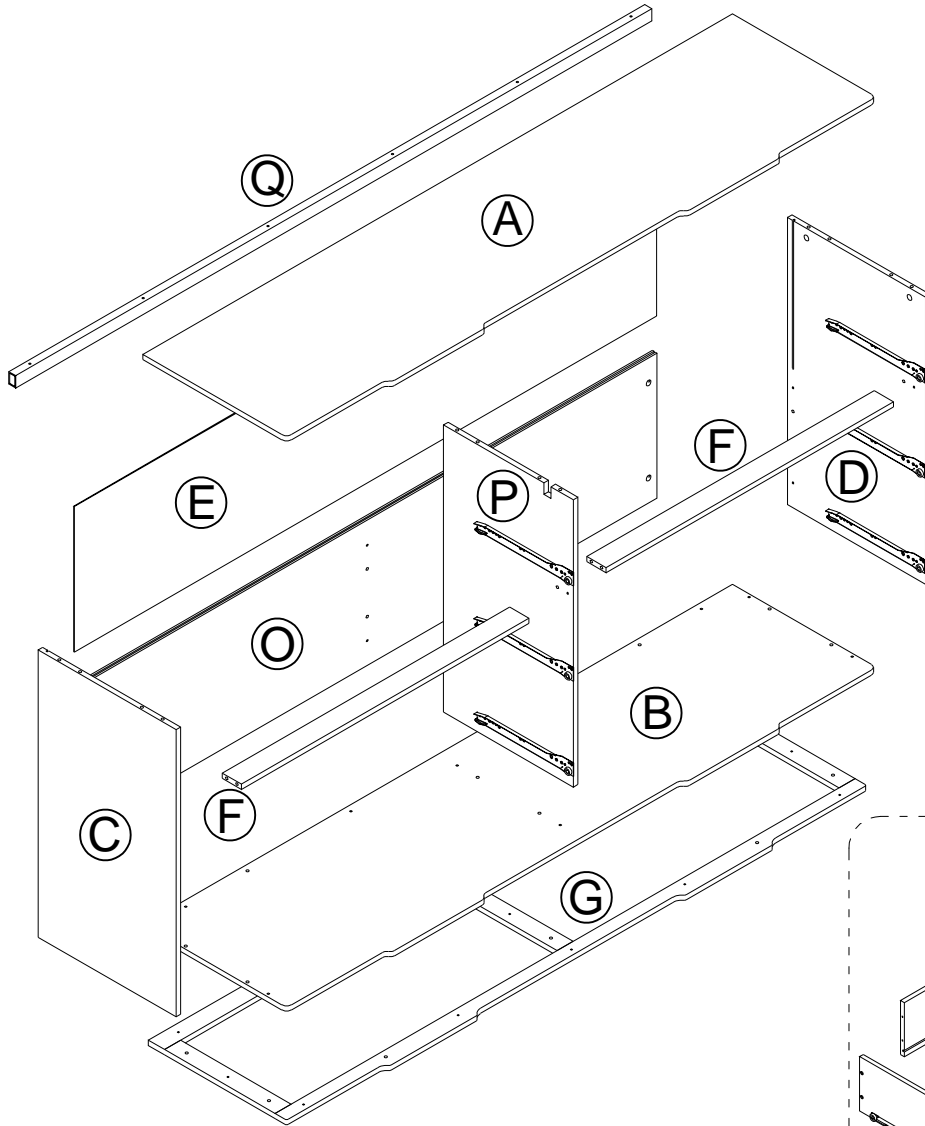
# Included in this package:

## **BOX 01/02**

- C. LEFT PANEL (1)
- D. RIGHT PANEL (1)
- F. FRONT HORIZONTAL PANEL (2)
- H. DRAWER LEFT PANEL (6)
- I. DRAWER RIGHT PANEL (6)
- J. DRAWER BACK PANEL (6)

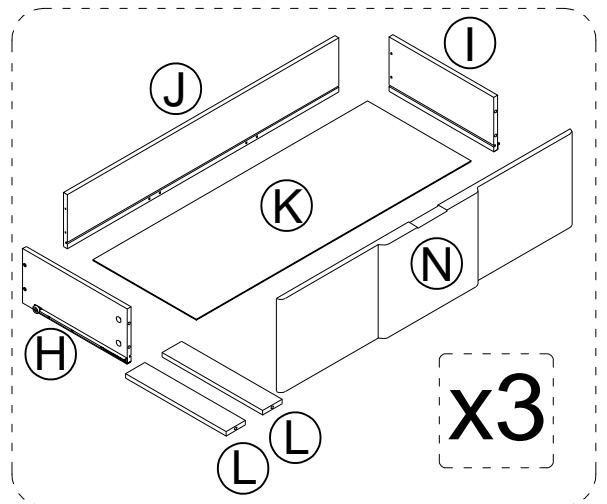
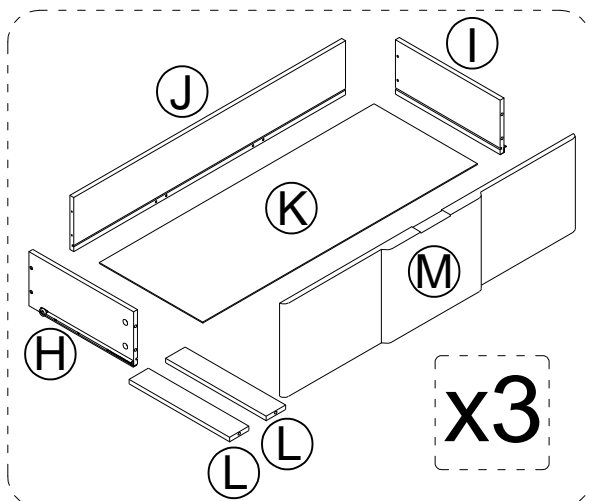
- K. DRAWER BOTTOM PANEL (6)
- L. DRAWER SUPPORT PANEL (12)
- M. DRAWER LEFT FRONT PANEL (3)
- N. DRAWER RIGHT FRONT PANEL (3)
- P. BETWEEN PANEL(1)

**ALL HARDWARE ARE IN BOX 01/02**



## **BOX 02/02**

- A. TOP PANEL(1)
- B. BOTTOM PANEL(1)
- G. BOTTOM BASE PANEL (1)
- O. BACK LOWER PANEL (1)
- E. BACK UPPER PANEL (1)
- Q. METAL BAR(1)

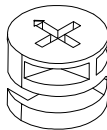


# Hardware Identification

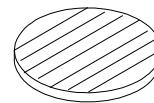
① KD BOLT - 50pcs  
L=35mm



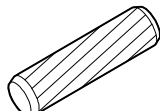
② KD LARGE CAM - 14pcs  
Ø15\*11mm



③ COVER CAP - 50pcs



④ LARGE WOOD DOWEL-24pcs  
Ø8\*30mm



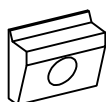
⑤ KD SMALL CAM - 36pcs  
Ø15\*9mm



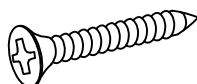
⑥ SCREW - 48pcs  
Ø4\*38mm



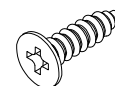
⑦ PLASTIC WEDGE - 10pcs



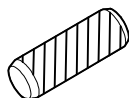
⑧ SCREW - 10pcs  
Ø3\*17mm



⑨ SCREW - 13pcs  
Ø4\*20mm



⑩ SMALL WOOD DOWEL - 10pcs  
Ø8\*20mm



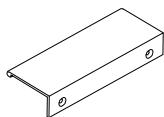
⑪ SCREW - 12pcs  
Ø6\*50mm



⑫ LOCK - 1pc



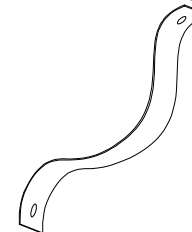
⑬ HANDLE - 6pcs



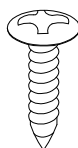
⑭ SCREW - 12pcs  
Ø3.5\*12mm



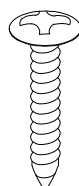
⑮ STRAPS - 2pcs



⑯ SCREW - 2pcs  
Ø4\*18mm



⑰ SCREW - 2pcs  
Ø4\*25mm



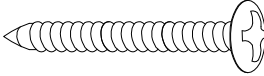
⑱ PLASTIC - 2pcs

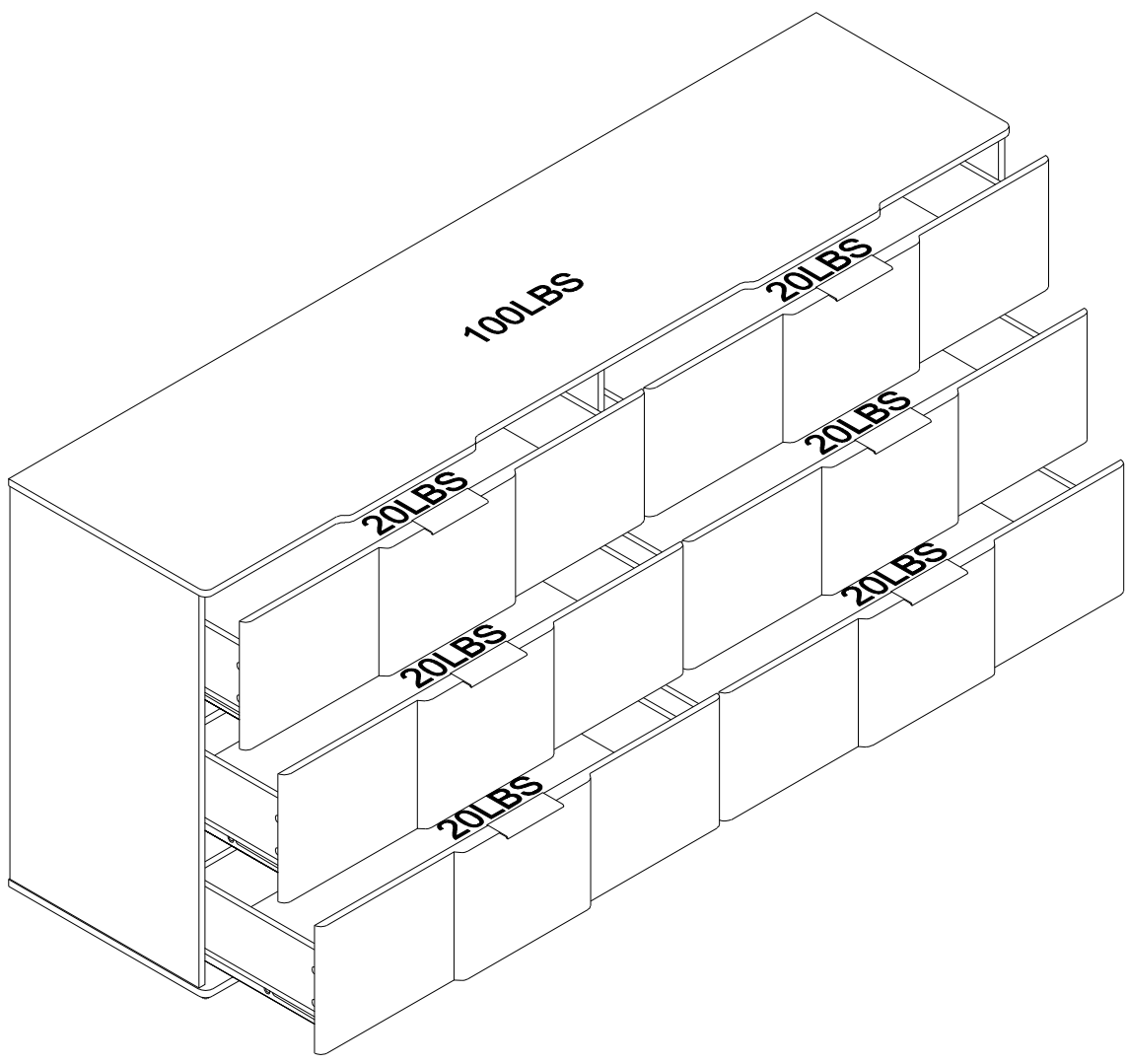


# Hardware Identification

---

①9 SCREW - 6pcs  
Ø4\*40mm





# Step 1:

\* Insert Twelve KD BOLT (1) to the TOP PANEL (A), LEFT PANEL (C) and RIGHT PANEL(D).

\* Assemble The METAL BAR(Q) to the TOP PANEL(A) with Six SCREW(19).

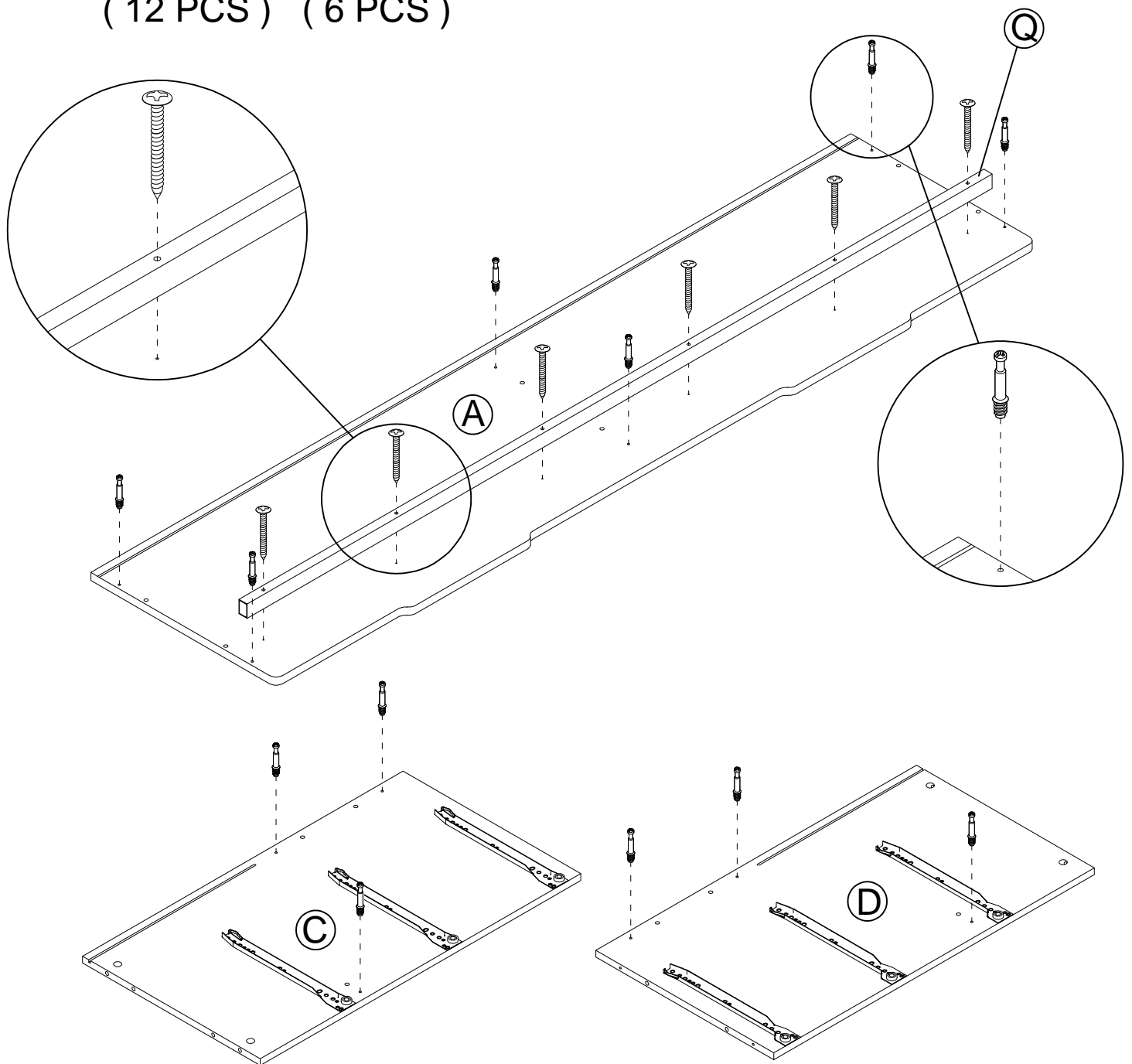
①



⑱



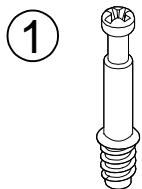
( 12 PCS ) ( 6 PCS )



## Step 2:

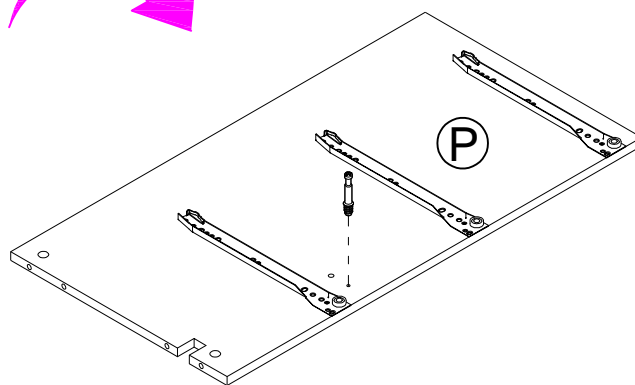
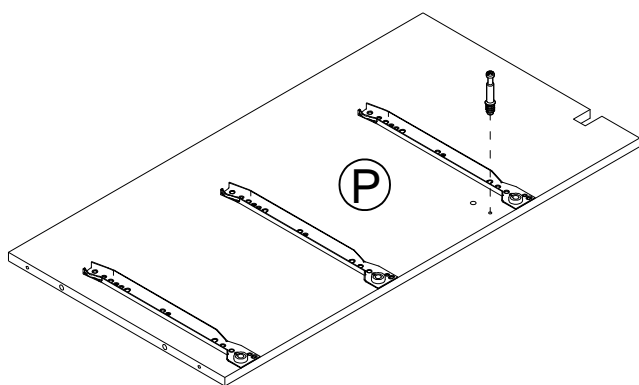
---

\* Insert Two KD BOLT (1) to the BETWEEN PANEL(P).



( 2 PCS )

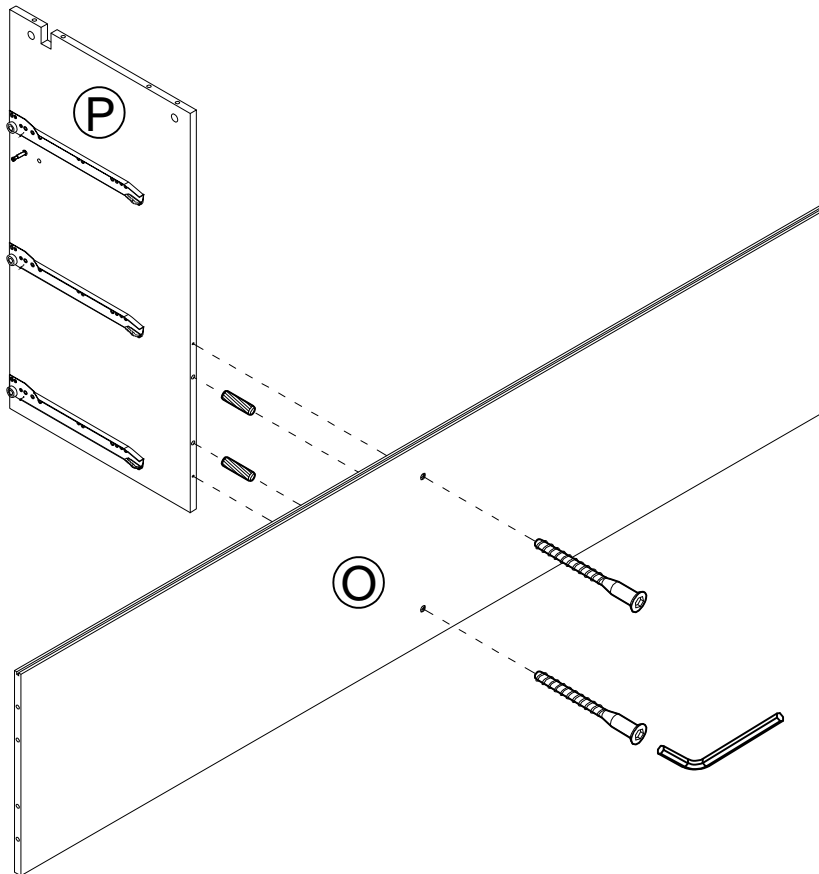
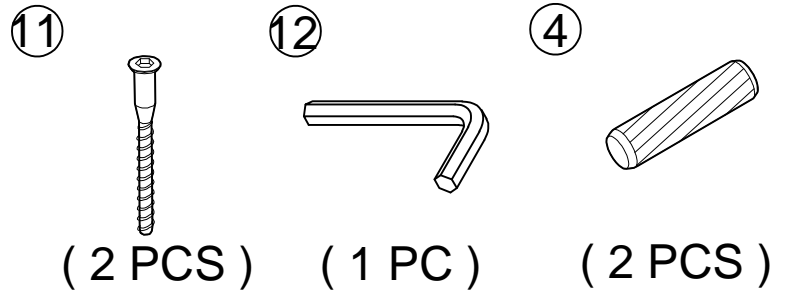
Turn 180°



## Step 3:

---

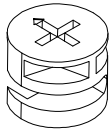
\* Attach the BETWEEN PANEL(P) to the BACK LOWER PANEL (O) by the Two Screw(11), Two LARGE WOOD DOWEL (4) and LOCK(12).



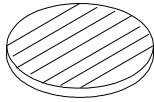
## Step 4:

---

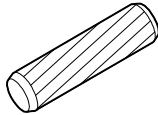
\* Attach the Two FRONT HORIZONTAL PANEL (F) to the BETWEEN PANEL(P) by the Two KD LARGE CAM (2) , Two COVER CAP (3) and Two LARGE WOOD DOWEL (4) .



③



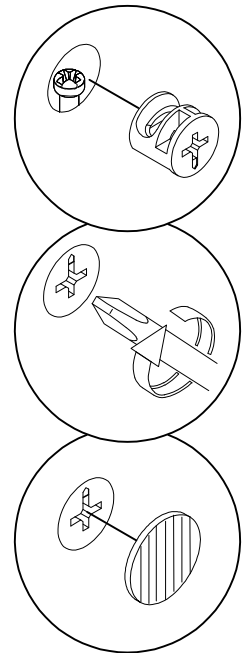
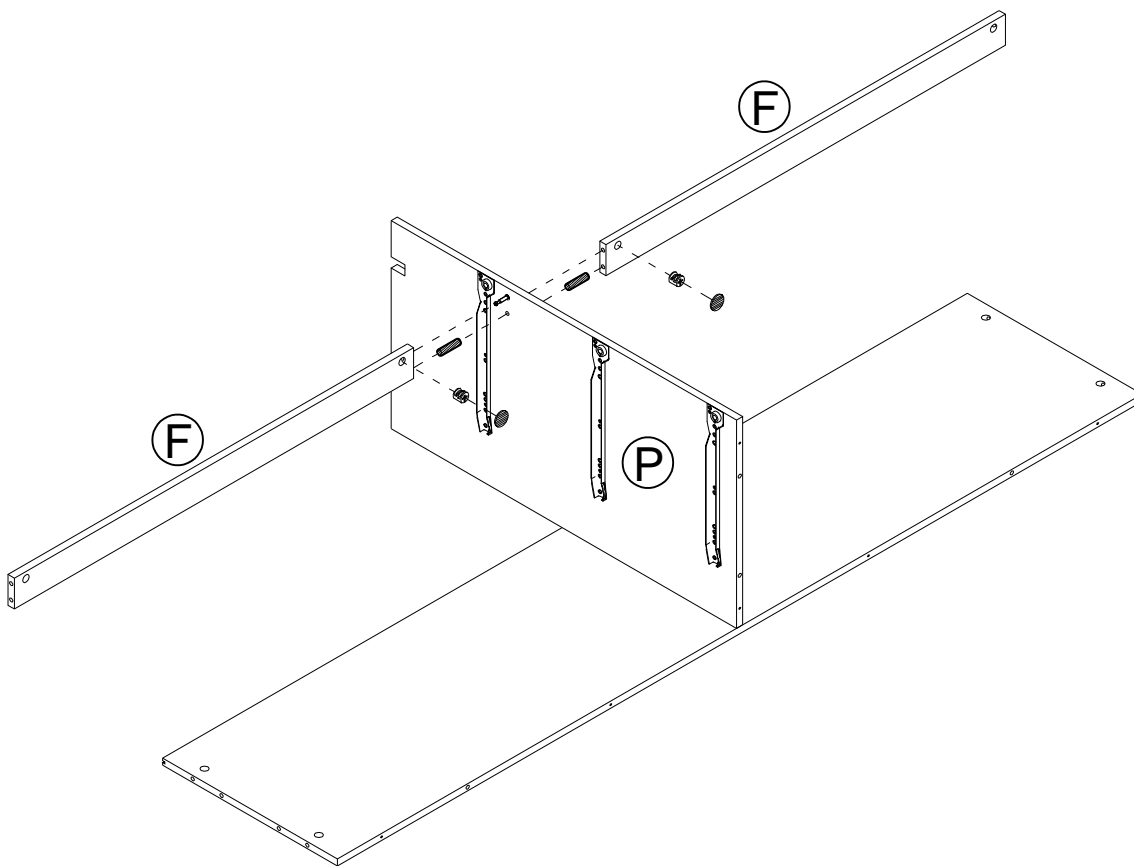
④



( 2 PCS )

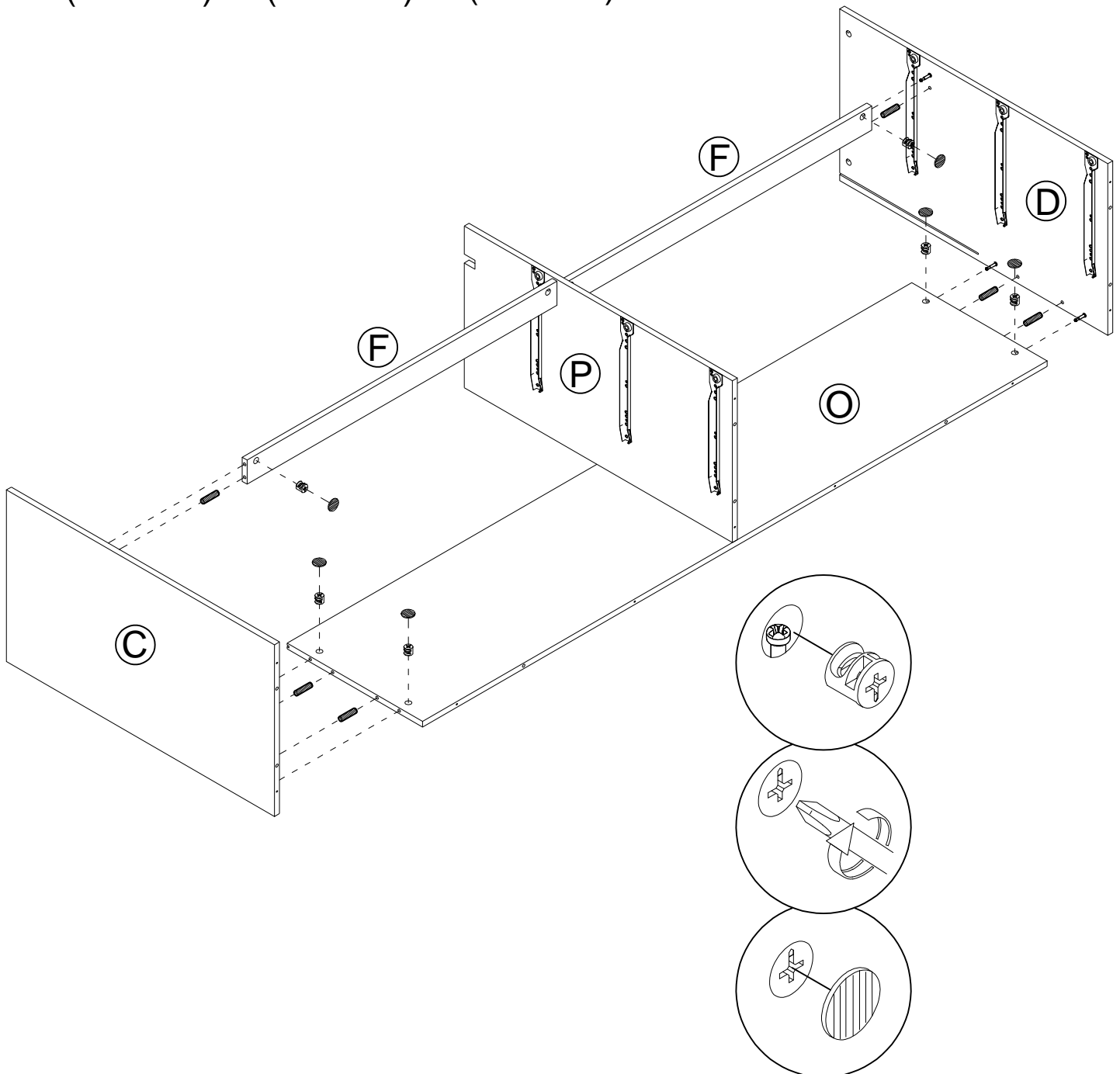
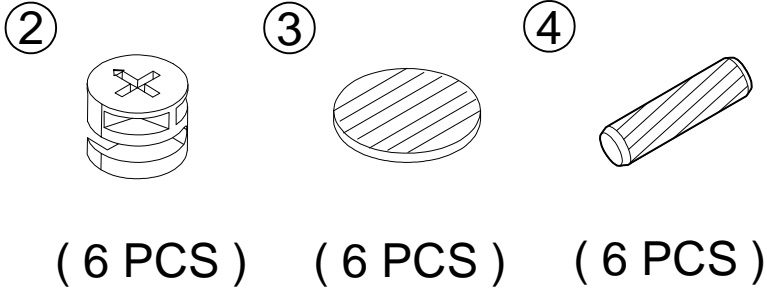
( 2 PCS )

( 2 PCS )



# Step 5:

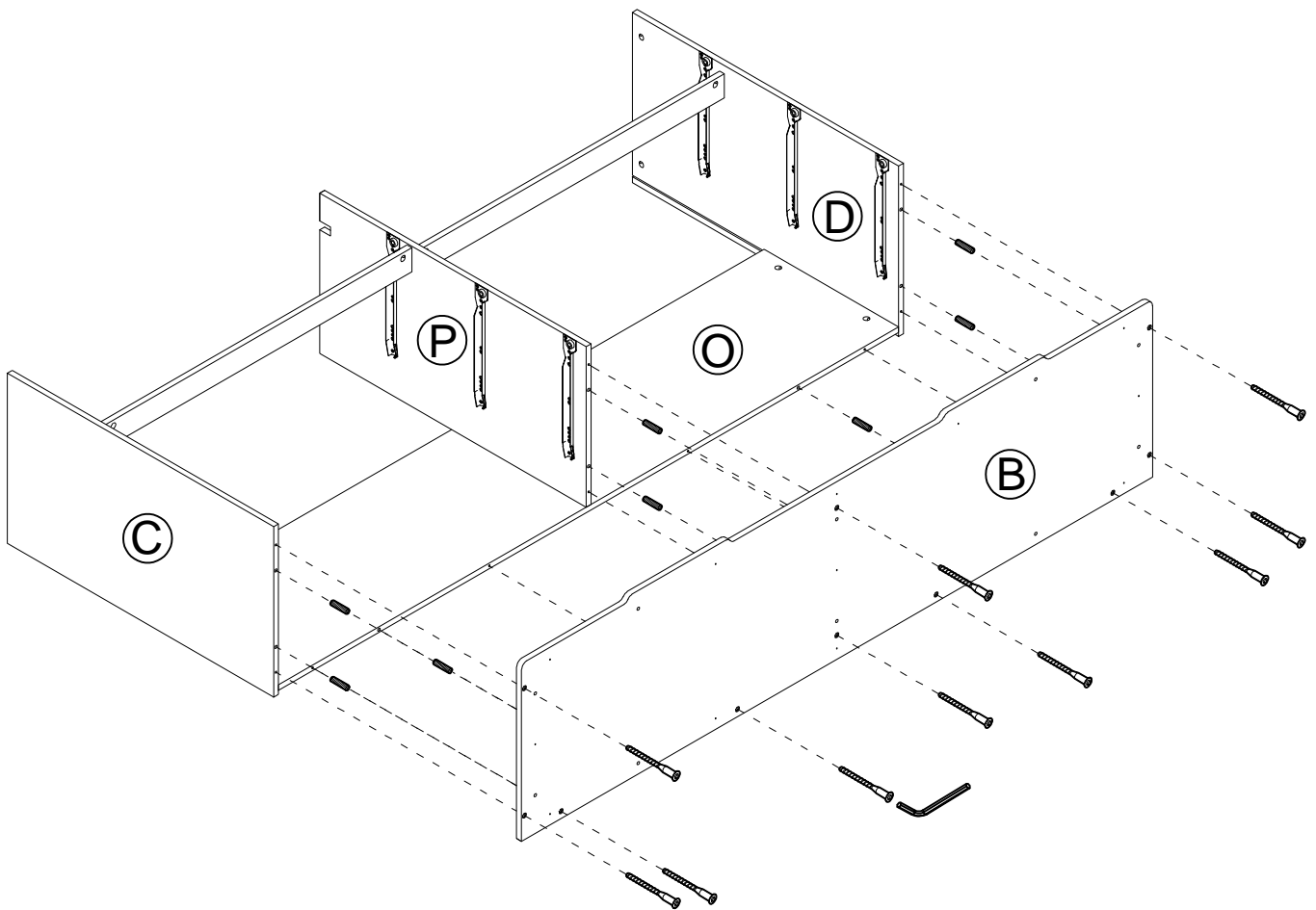
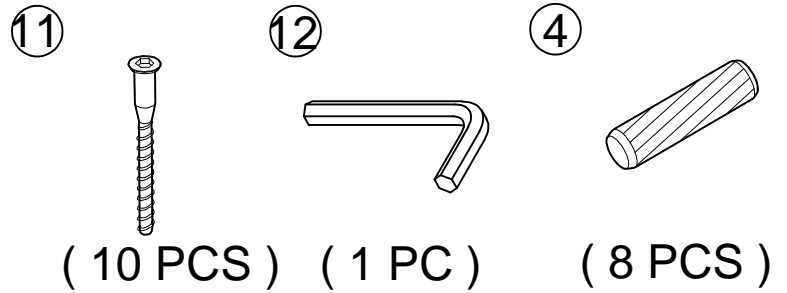
\* Attach the Two FRONT HORIZONTAL PANEL (F) and BACK LOWER PANEL (O) to the LEFT PANEL (C) and RIGHT PANEL (D) by the Six KD LARGE CAM (2) , Six COVER CAP (3) and Six LARGE WOOD DOWEL (4) .



## Step 6:

---

\* Attach the BOTTOM PANEL(B) to the BACK LOWER PANEL (O), BETWEEN PANEL(P), LEFT PANEL (C) and RIGHT PANEL(D) by the Ten Screw(11), Eight LARGE WOOD DOWEL (4) and LOCK(12).

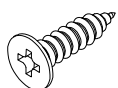


## Step 7:

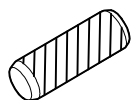
---

\* Attach the BOTTOM BASE PANEL (G) to the BOTTOM PANEL (B) by the Thirteen Screw(9) and Ten SMALL WOOD DOWEL(10) .

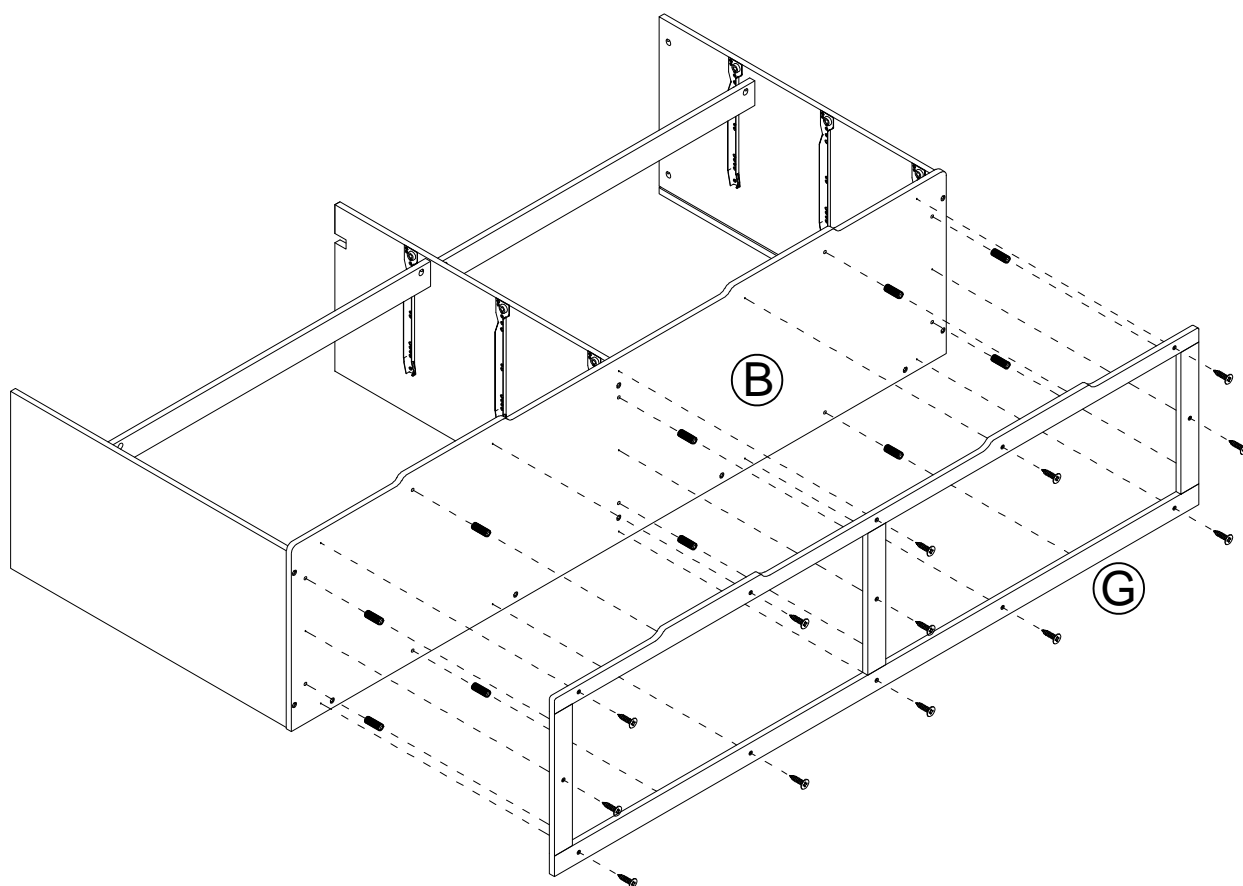
⑨



⑩

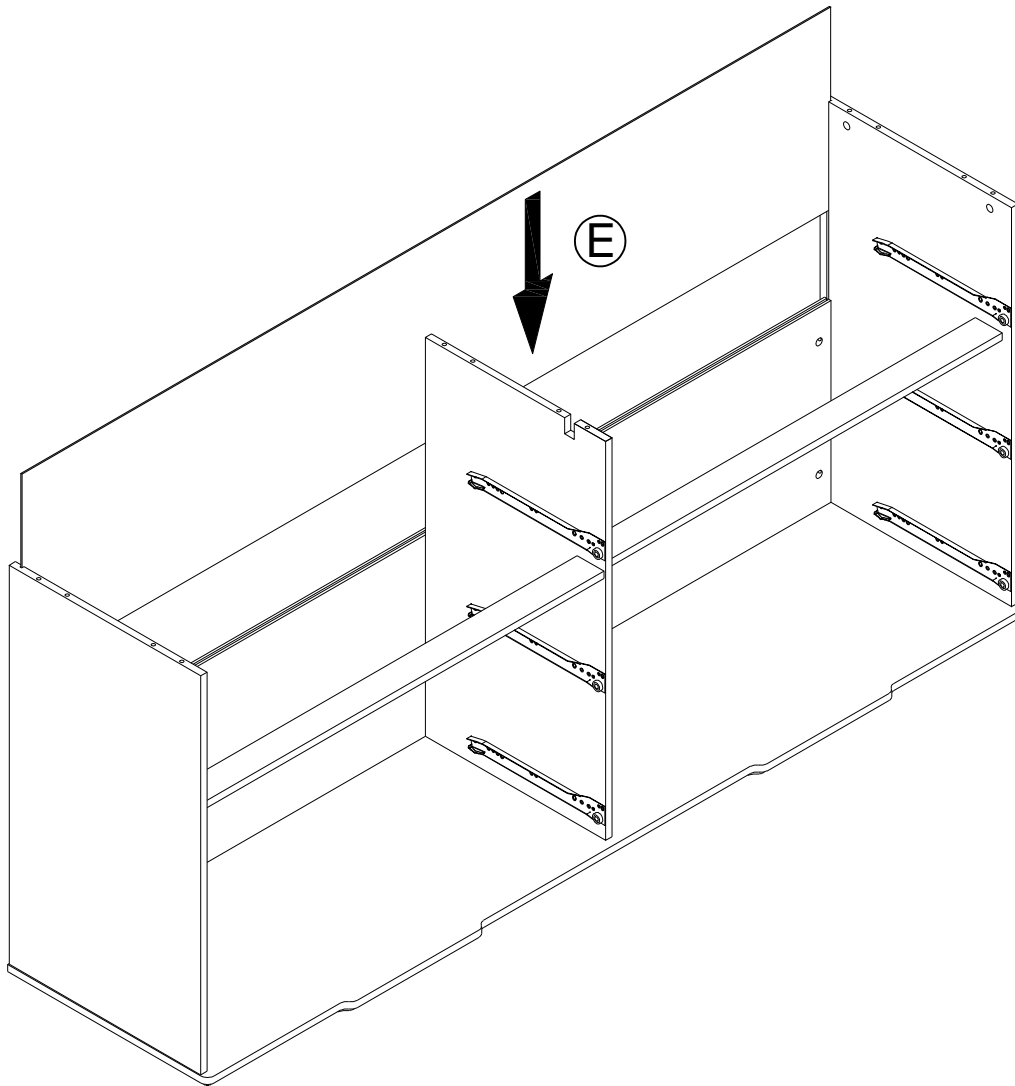


( 13 PCS ) ( 10 PCS )



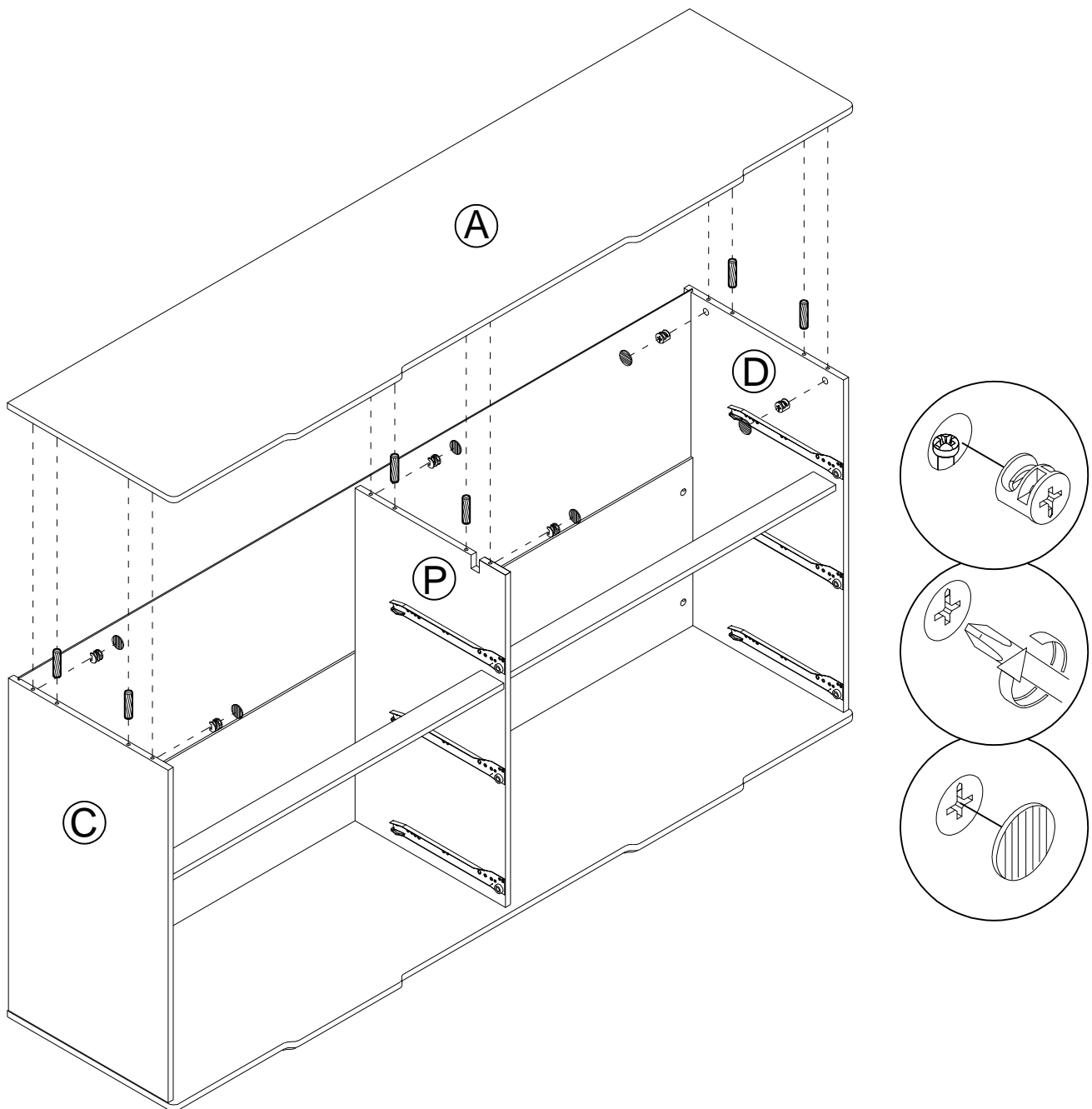
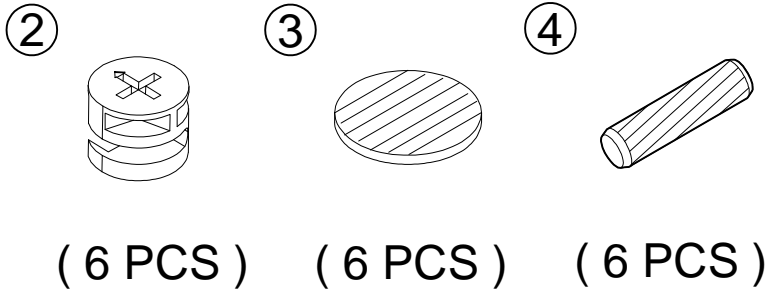
## Step 8:

\* Insert the BACK UPPER PANEL (E) to the stand.



## Step 9:

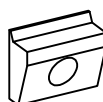
\* Attach the TOP PANEL(A) to the LEFT PANEL(C), BETWEEN PANEL(P) and RIGHT PANEL(D) by the Six KD LARGE CAM (2) , Six COVER CAP (3) and Six LARGE WOOD DOWEL (4) .



# Step 10:

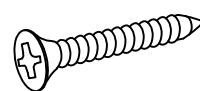
\* Insert Ten PLASTIC WEDGE(7) and Ten SCREW(8) to the BACK PANEL (E).

⑦

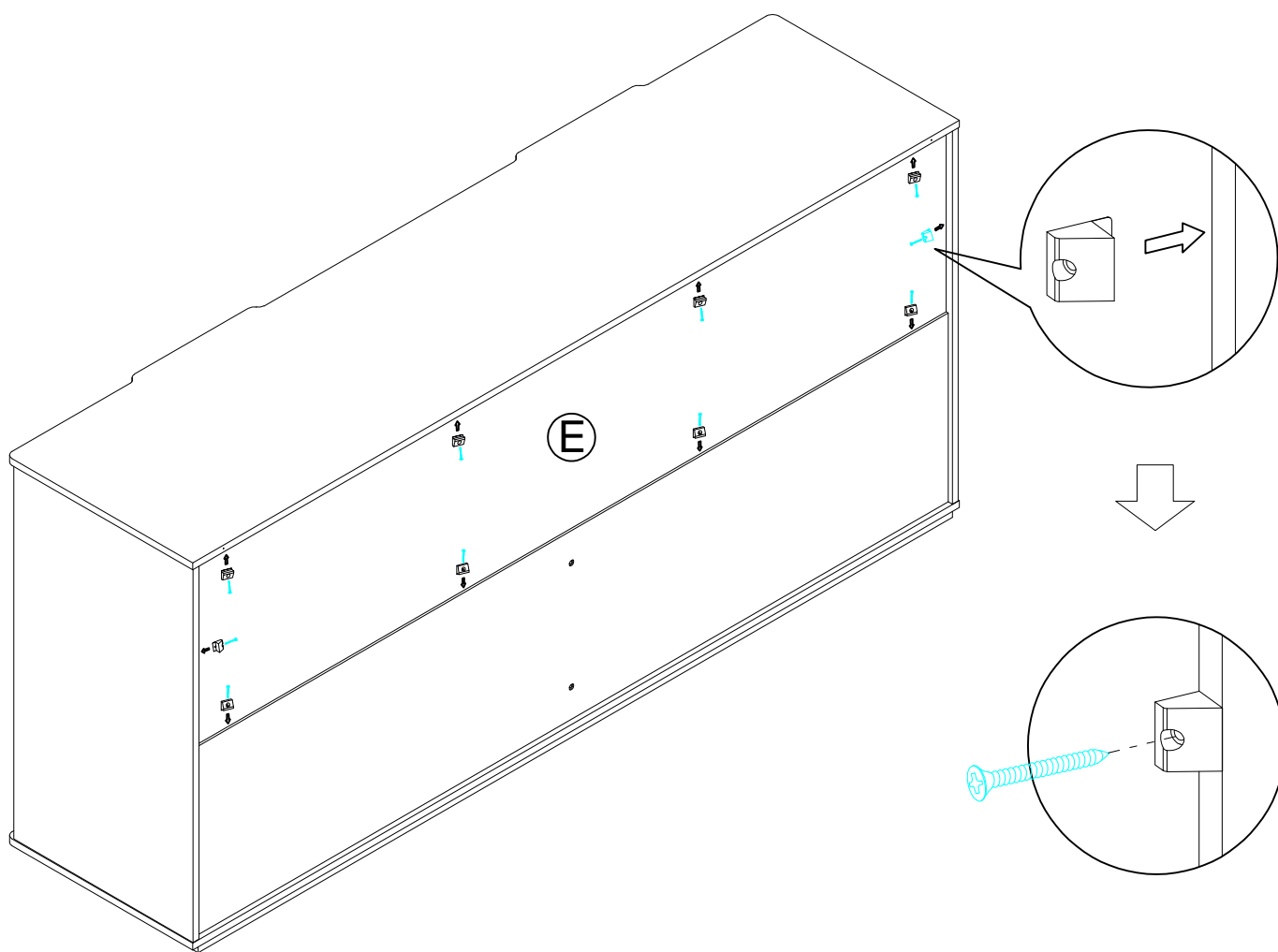


( 10 PCS )

⑧

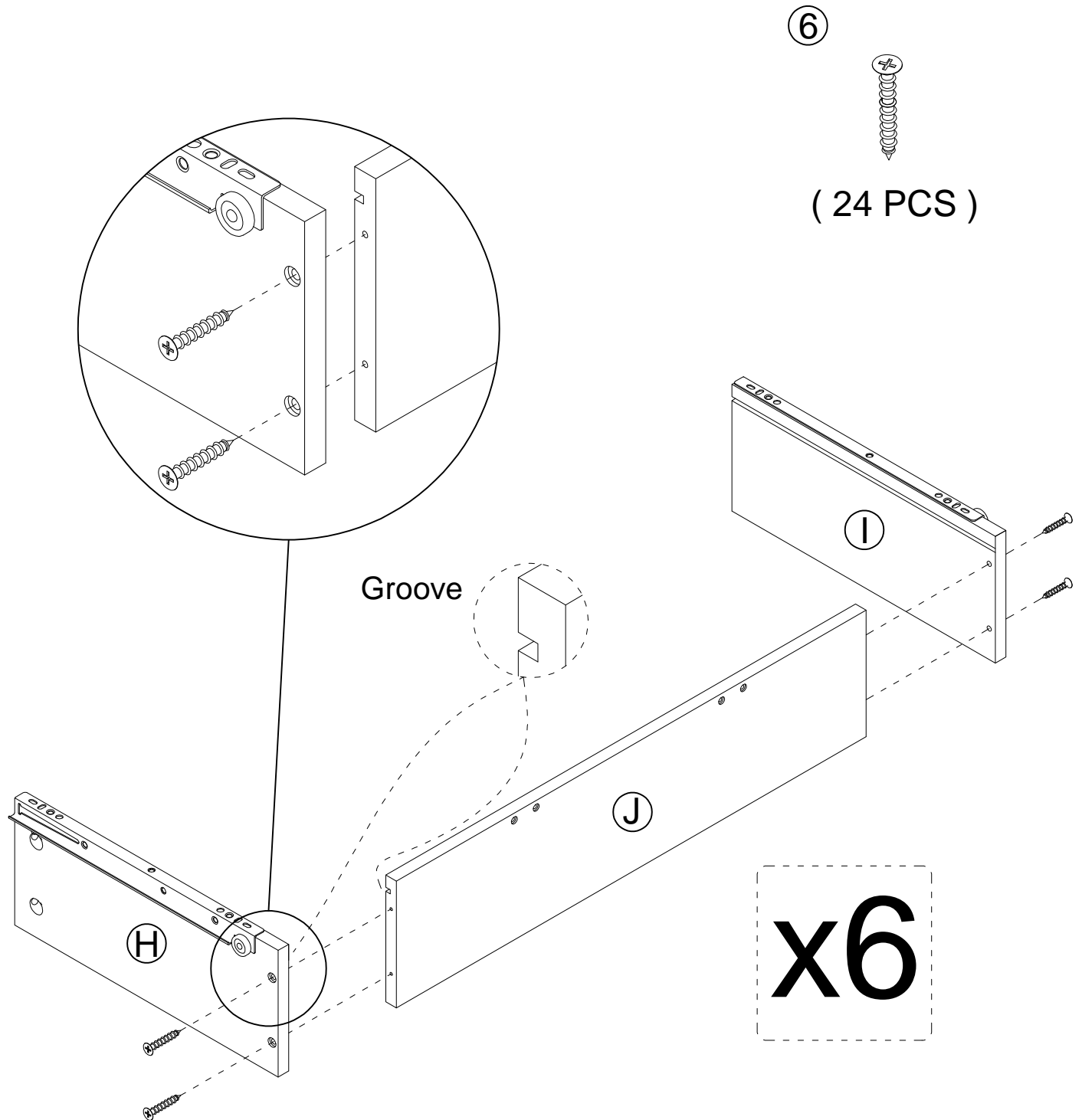


( 10 PCS )



# Step 11:

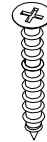
\* Assemble the DRAWER BACK PANEL(J) to the DRAWER LEFT PANEL (H) and DRAWER RIGHT PANEL (I) by the SCREW (6) .



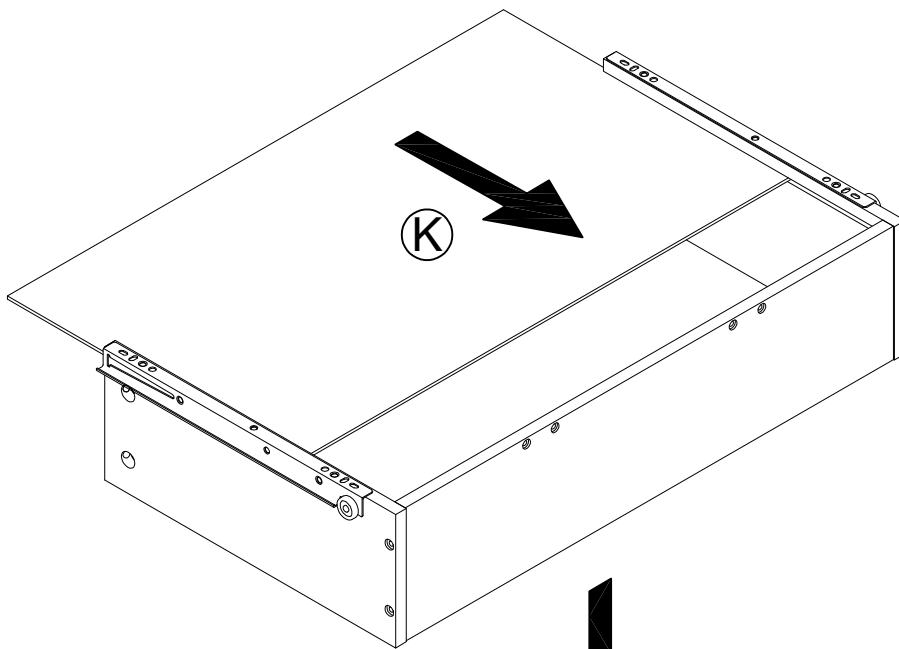
# Step 12:

- \* Slide in the DRAWER BOTTOM PANEL (K).
- \* Assemble the Two DRAWER SUPPORT PANEL (L) to the DRAWER TRAY by the SCREW (6) .

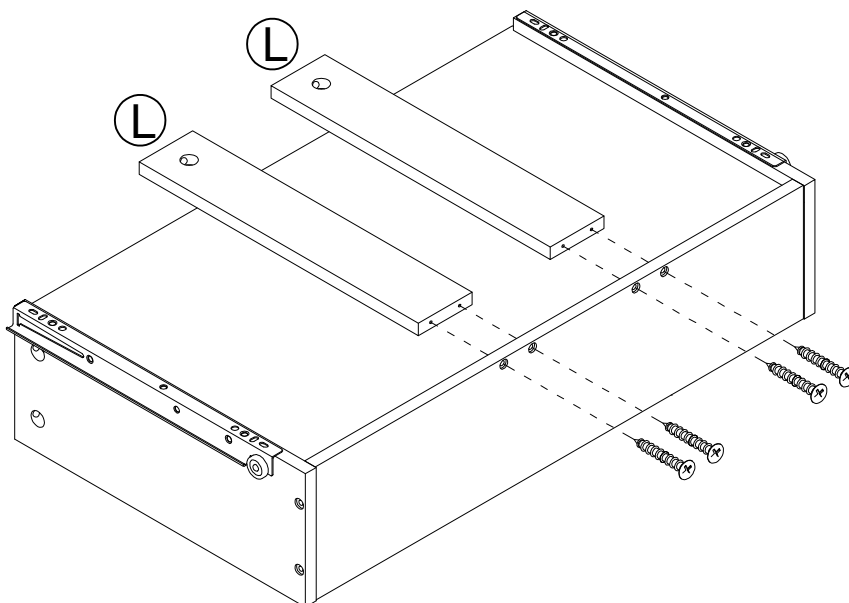
⑥



( 24 PCS )



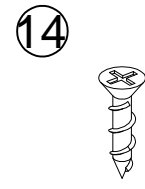
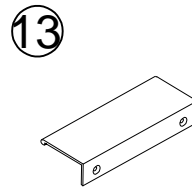
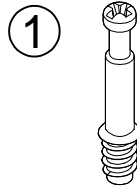
x6



# Step 13:

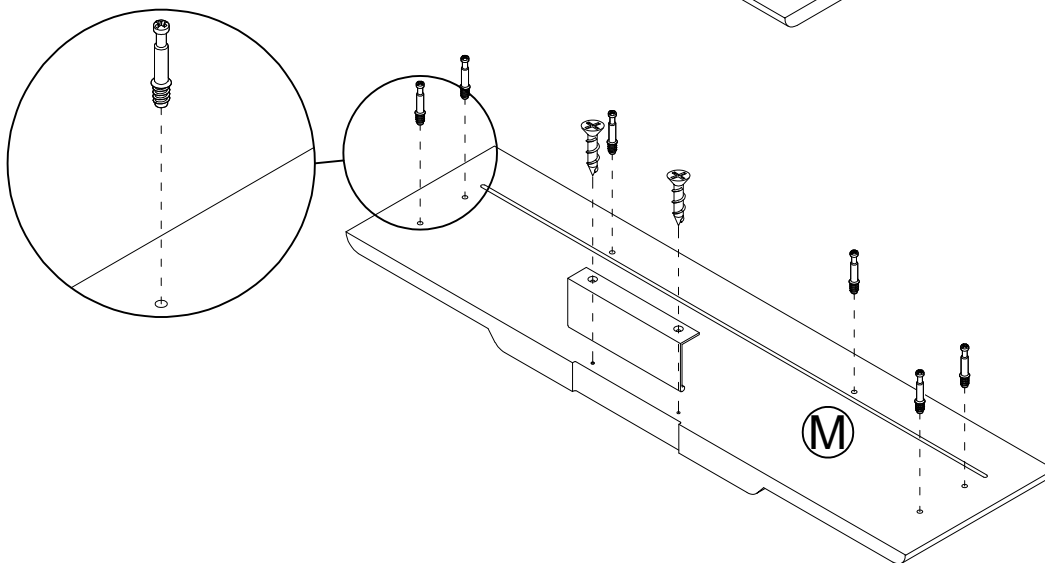
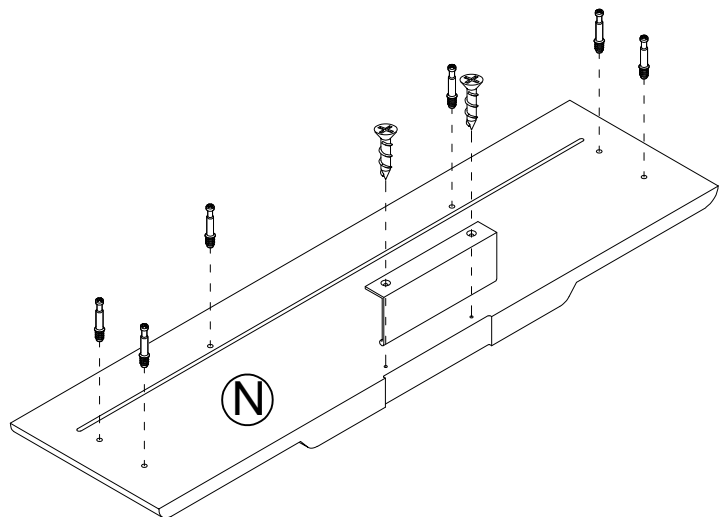
\* Insert Twelve KD BOLT (1) to the DRAWER LEFT FRONT PANEL (M) and DRAWER RIGHT FRONT PANEL (N).

\* Assemble the HANDLE (13) to the DRAWER LEFT FRONT PANEL (M) and DRAWER RIGHT FRONT PANEL (N) by SCREW (14).



( 36 PCS ) ( 6 PCS ) ( 12 PCS )

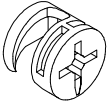
x3



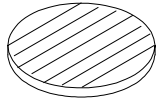
# Step 14:

\* Assemble the DRAWER LEFT FRONT PANEL (M) and DRAWER RIGHT FRONT PANEL (N) to the DRAWER TRAY by the Six KD SMALL CAM (5) and Six COVER CAP (3).

⑤

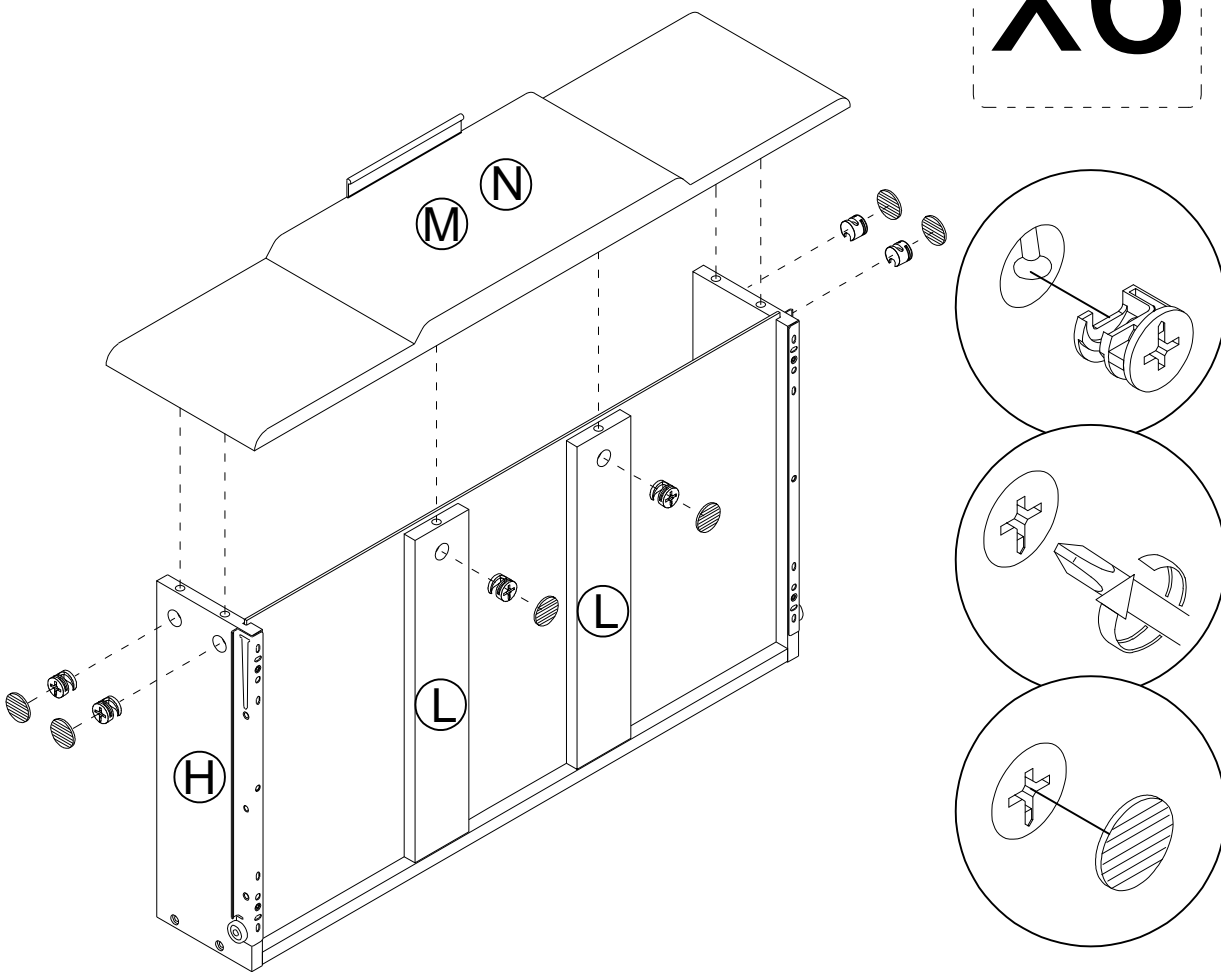


③



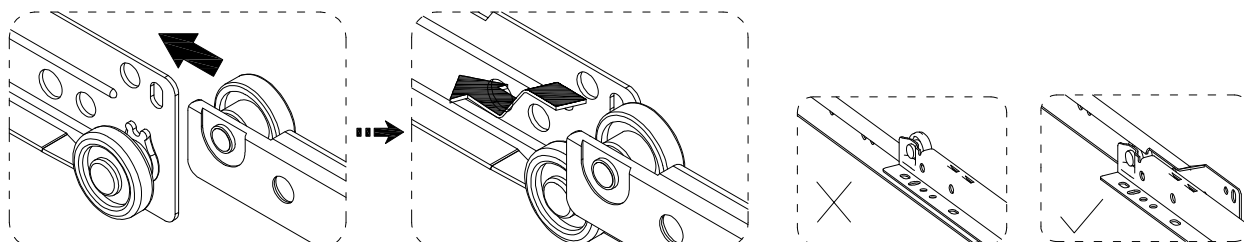
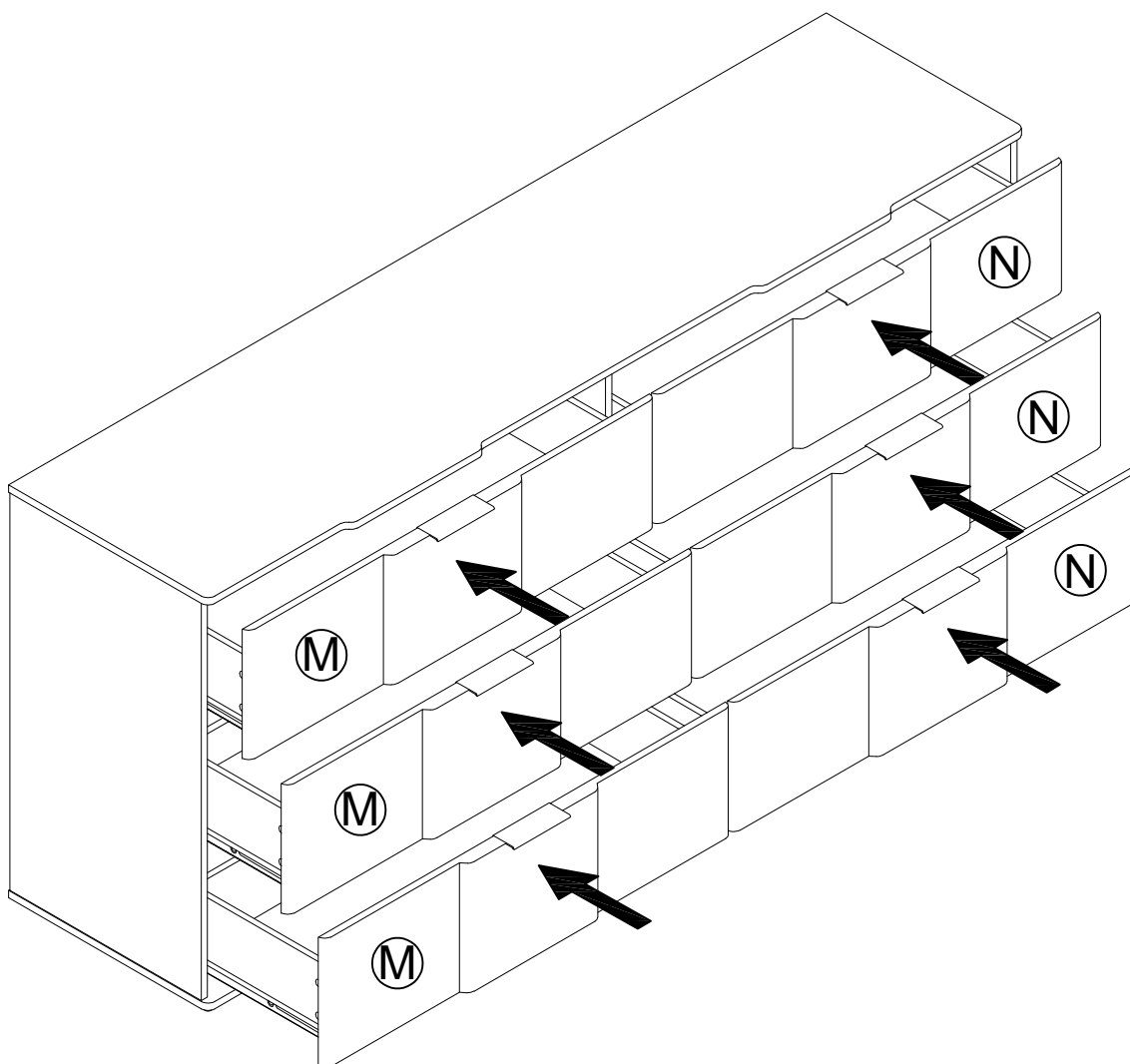
( 36 PCS ) ( 36 PCS )

x6



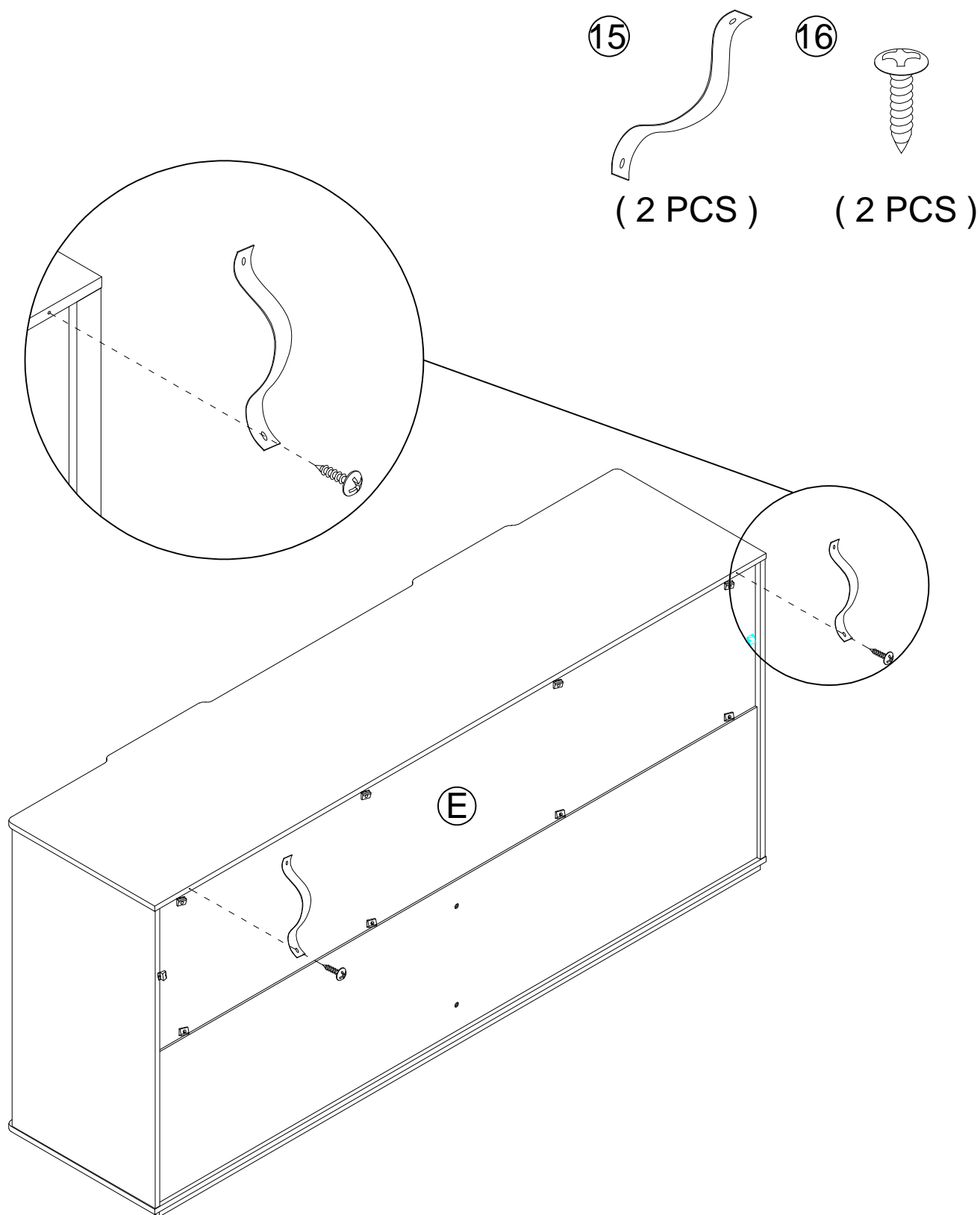
# Step 15:

\*Input Six Drawer tray to the stand.



# Step 16:

\* Attach anti-tipping straps to the back of the stand.



# Step 17:

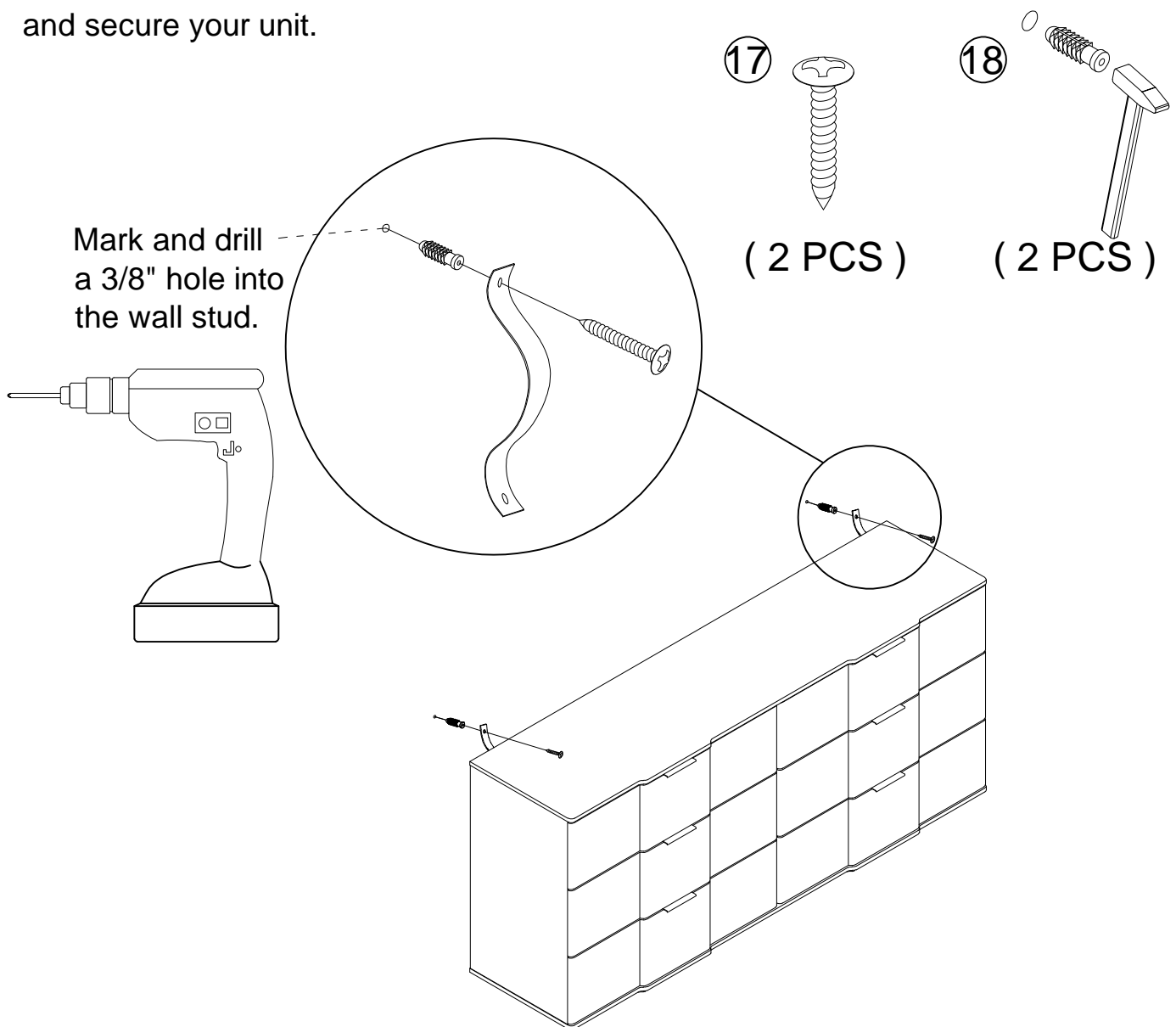
1st- With your pencil, strike a mark through the center of the hole in the SAFETY STRAP.

2nd- Drill a 3/8" hole on the mark.

3rd- FURNITURE TIPPING RESTRAINT KIT (18) into the hole until it is even with the surface of the wall.

4th- Turn the LONG SCREW through the hole in the SAFETY STRAP and into the WALL ANCHOR.

NOTE: You will need to turn the LONG SCREW multiple turns to completely tighten and secure your unit.





---

## WARRANTY POLICY

All Manhattan Comfort furniture products are warranted, to the original purchaser at the time of purchase and for a period of 30 days thereafter.

Our warranty is limited to new products purchased in factory sealed cartons. This warranty is valid in the United States of America and Canada.

In order to provide you with timely assistance, please thoroughly inspect your furniture for missing or defective parts immediately after opening the carton.

Manhattan Comfort offers a 30-day parts replacement warranty on all items.

Our furniture products are not intended for outdoor use.

### THE WARRANTY DOES NOT COVER:

- Defects/damages by improper assembly or disassembly.
- Defects/damages caused by shipping. Claims for damage during transit should be placed immediately to the transportation company.
- Defects/damages caused by inappropriate use of the furniture.



319 Ridge Rd. Dayton, NJ 08810  
908-888-0818