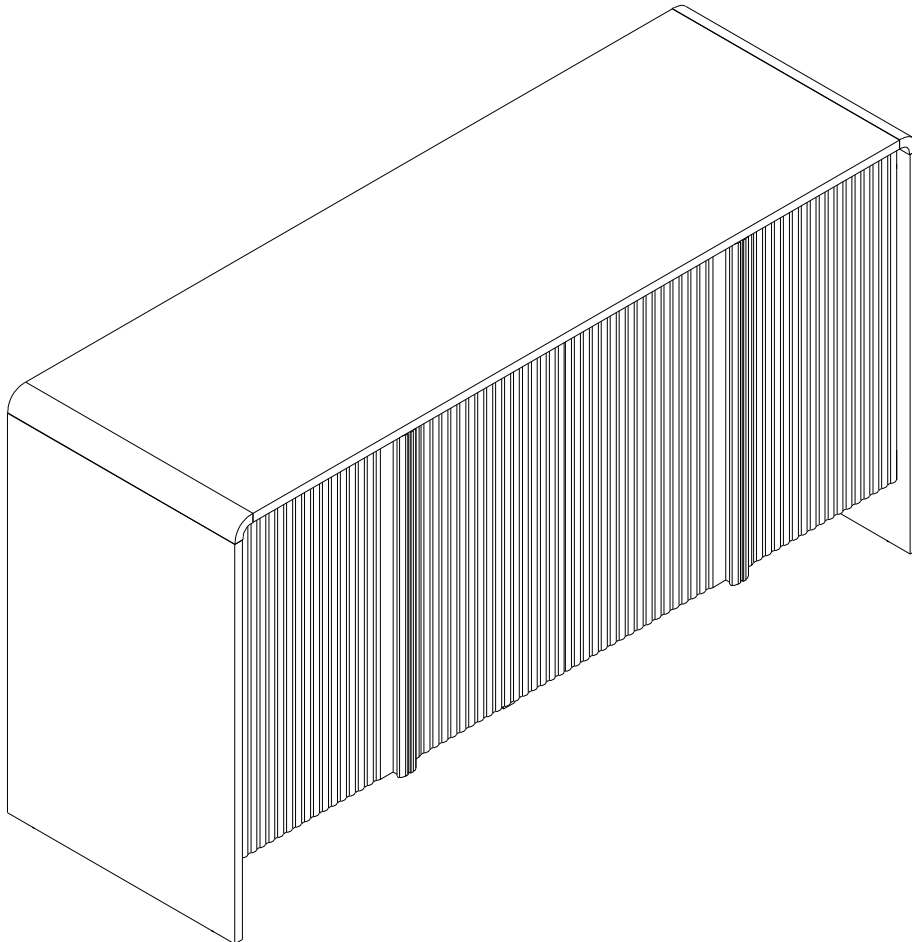
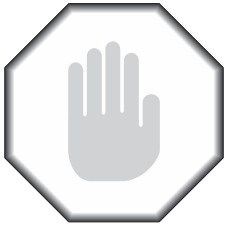




**MANHATTAN
COMFORT**

SB1671



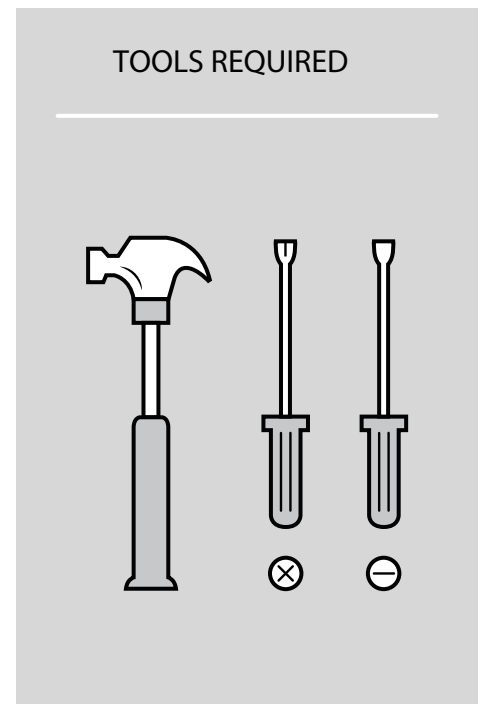
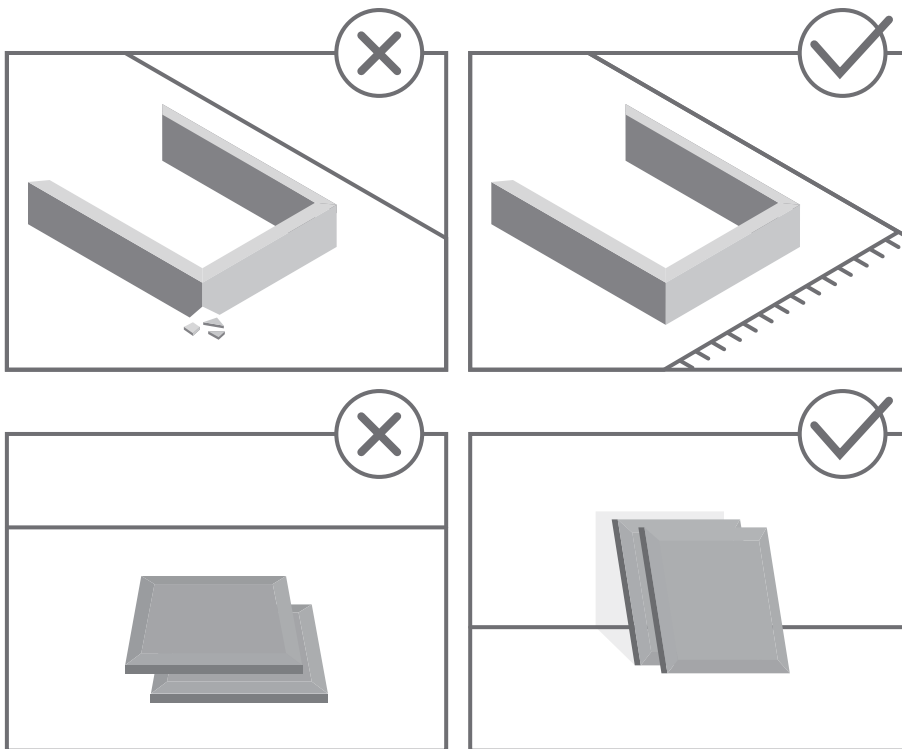


STOP!

Before beginning the assembly process, ensure all boxes and parts have been delivered.

FOR BEST RESULTS:

- Do not throw away packaging materials until assembly is complete.
- Assemble item on a soft surface, such as cardboard or carpet, to protect finish.
- Proper assembly requires two people.



View our assembly video online:
WWW.MANHATTANCOMFORT.COM



Stuck? Question? We are here to help.
tel: 908-888-0818
e-mail: help@manhattancomfort.com

Support Site



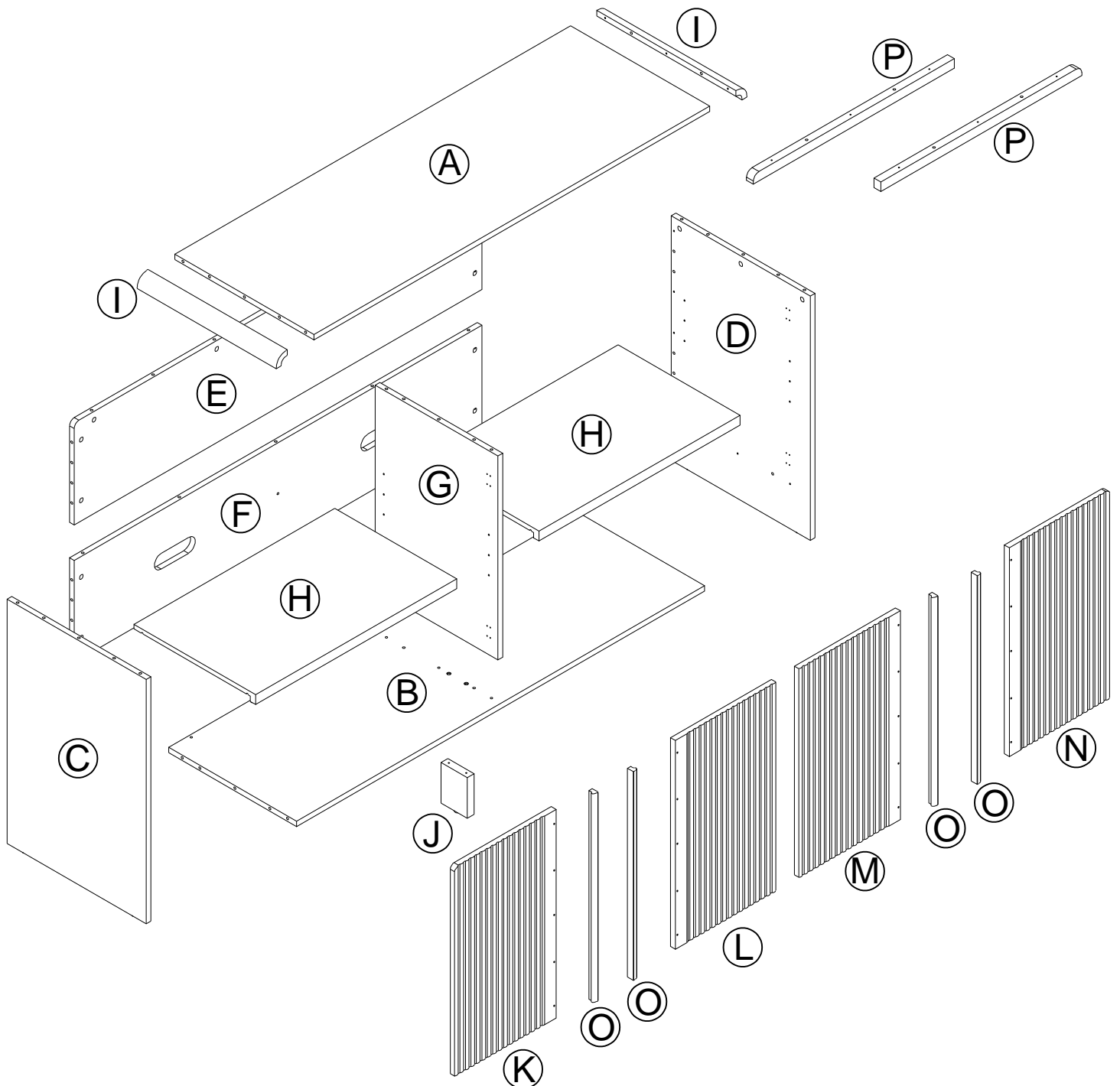
Included in this package:

BOX 01/02

- A. TOP PANEL(1)
 - B. BOTTOM PANEL(1)
 - C. LEFT PANEL (1)
 - D. RIGHT PANEL (1)
 - E. BACK UPPER PANEL (1)
 - F. BACK LOWER PANEL (1)
 - G. BETWEEN PANEL (1)
 - P. TOP PANEL SUPPORT (2)
- ALL HARDWARE ARE IN **BOX 01/02**

BOX 02/02

- H. SHELF PANEL (2)
- I. CURVED BAR (2)
- J. FOOTBOARD PANEL (1)
- K. LEFT DOOR (1)
- L. LEFT MIDDLE DOOR (1)
- M. RIGHT MIDDLE DOOR (1)
- N. RIGHT DOOR (1)
- O. HANDLE (4)

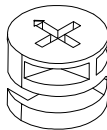


Hardware Identification

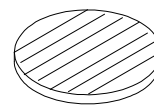
① KD BOLT - 33pcs
L=35mm



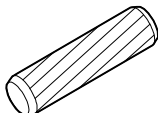
② KD CAM - 33pcs
Ø15*11mm



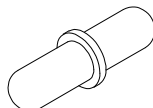
③ COVER CAP - 33pcs



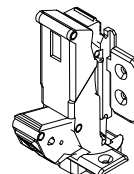
④ WOOD DOWEL - 32pcs
Ø8*30mm



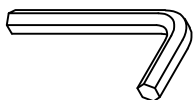
⑤ SHELF SUPPORT - 8pcs



⑥ HINGE - 4pcs



⑦ LOCK - 1pc



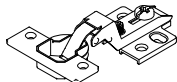
⑧ SCREW - 11pcs
Ø6*50mm



⑨ SCREW - 48pcs
Ø3.5*15mm



⑩ HINGE - 4pcs



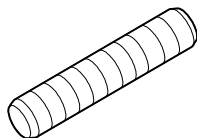
⑪ PLASTIC - 2pcs



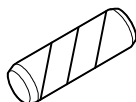
⑫ SCREW - 6pcs



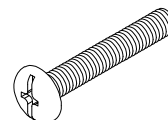
⑬ WOOD DOWEL - 5pcs
Ø8*40mm



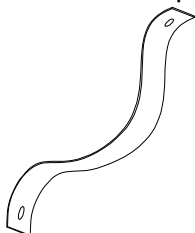
⑭ WOOD DOWEL - 8pcs
Ø6*20mm



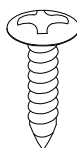
⑮ BOLT - 12pcs



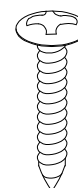
⑯ STRAPS - 2pcs

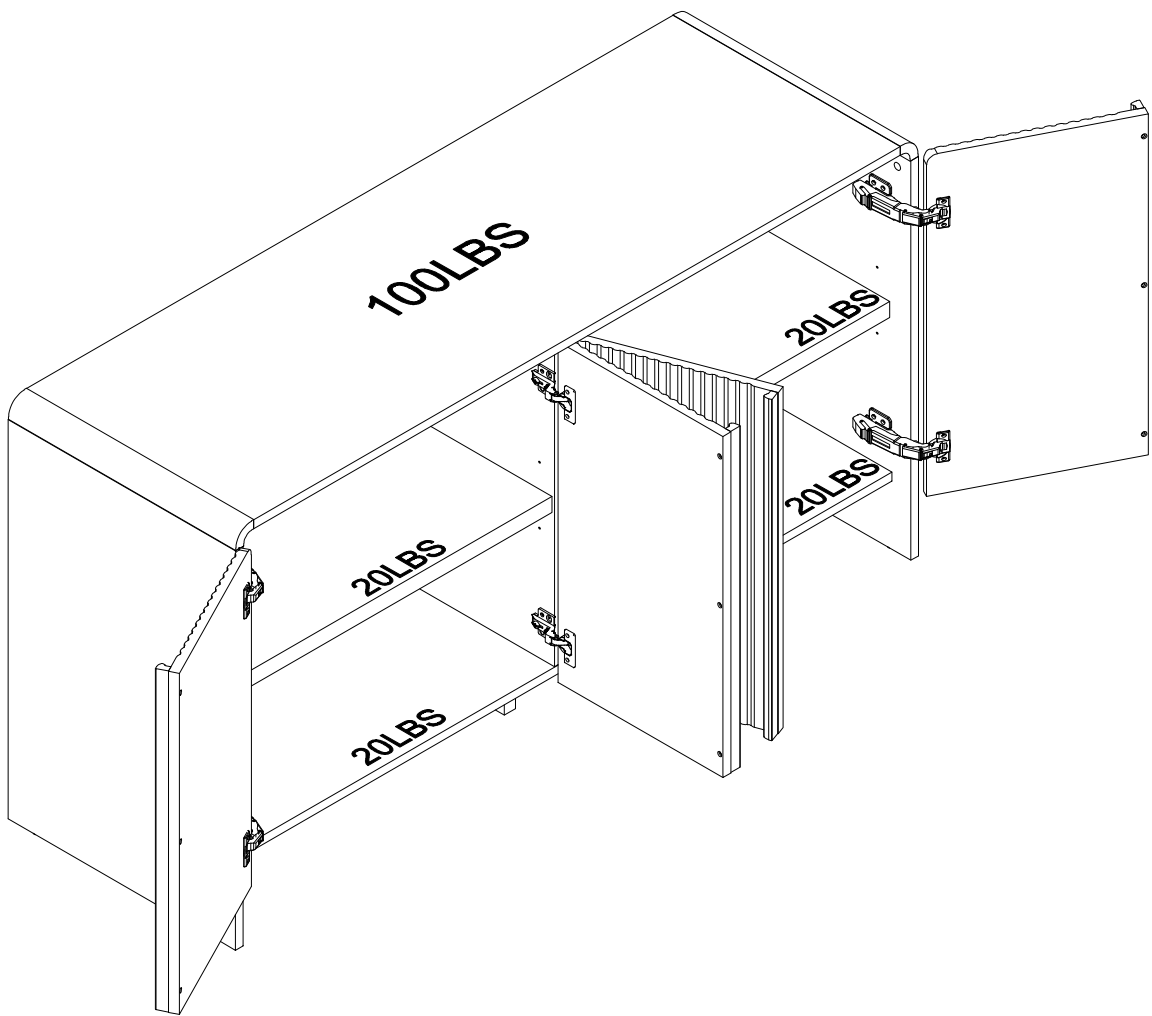


⑰ SCREW - 2pcs
Ø4*18mm



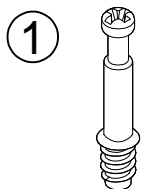
⑱ SCREW - 2pcs
Ø4*25mm



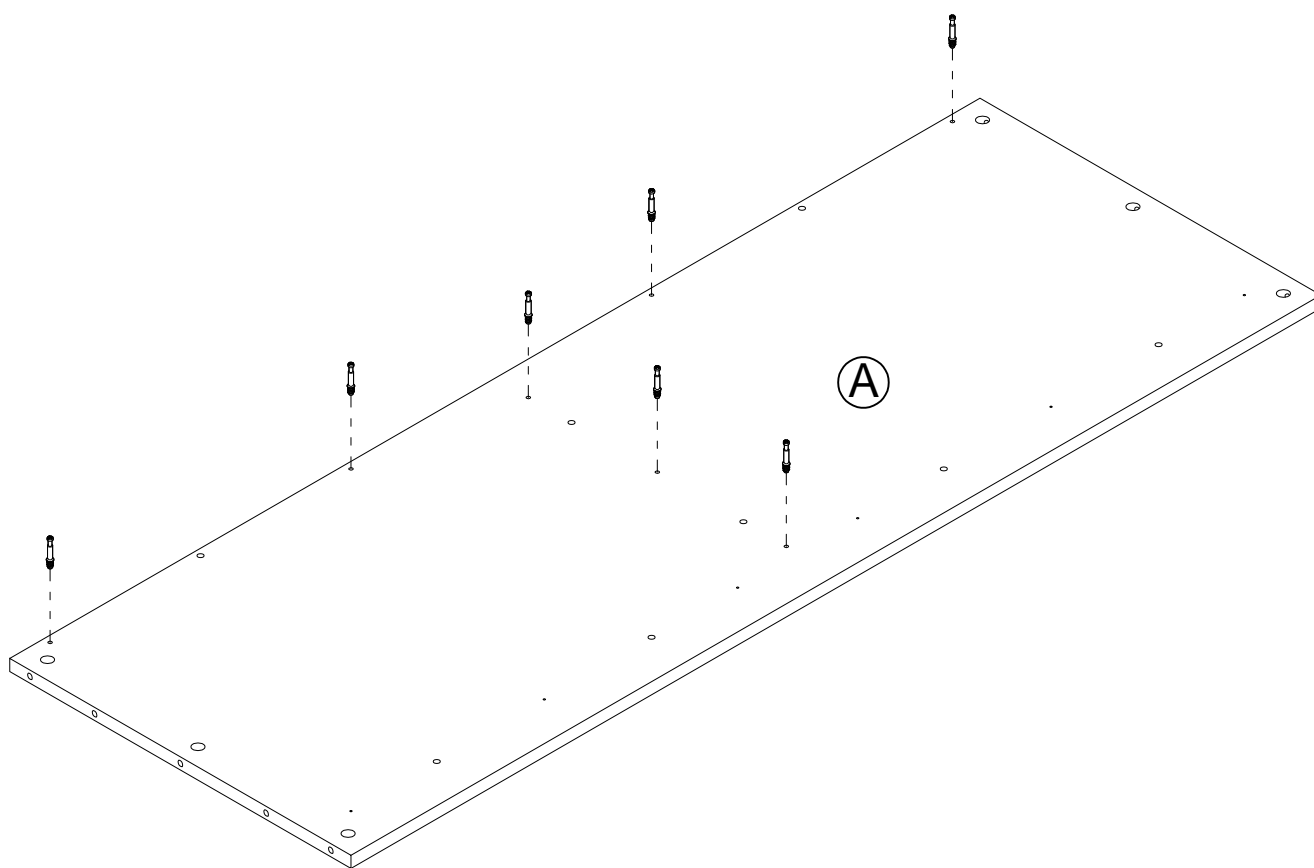


Step 1:

* Insert Seven KD BOLT (1) to the TOP PANEL (A).



(7 PCS)



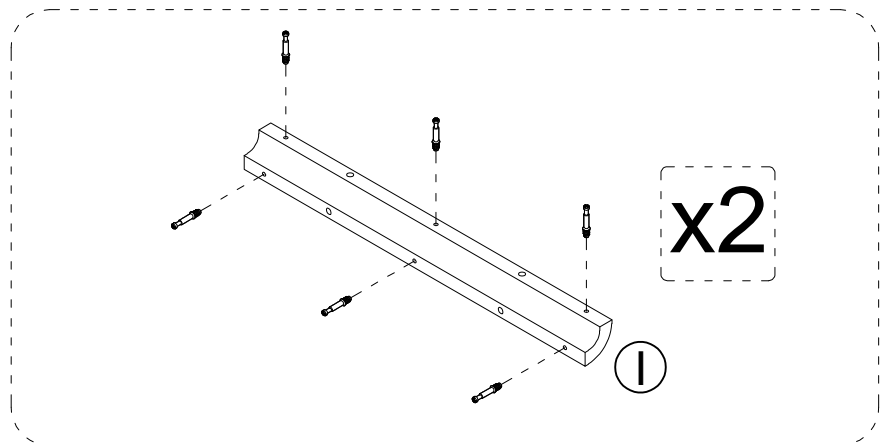
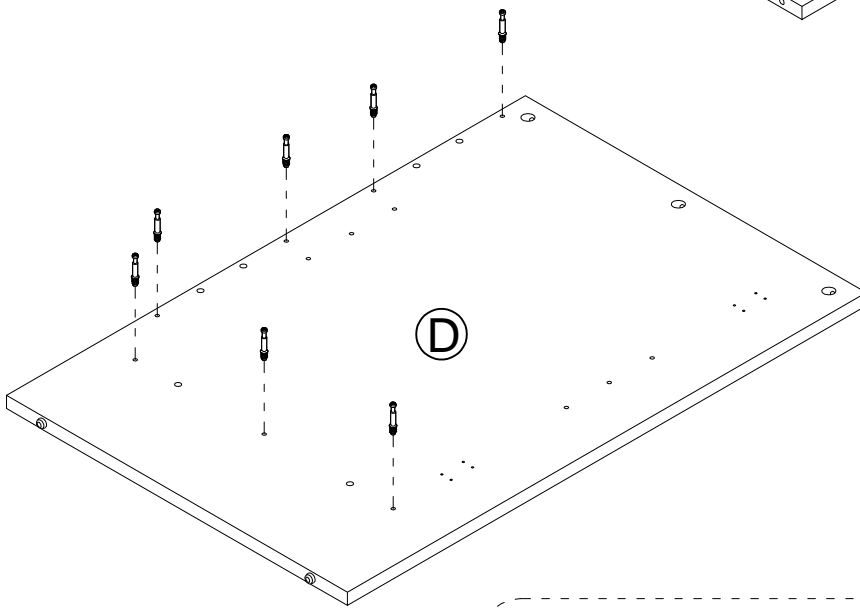
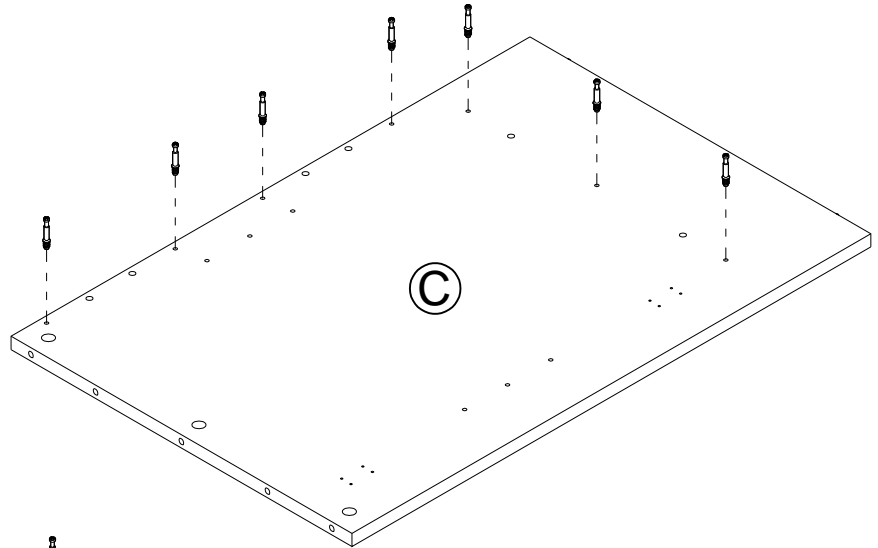
Step 2:

* Insert Twenty-six KD BOLT (1) to the LEFT PANEL(C),RIGHT PANEL(D) and Two CURVED BAR(I).

①



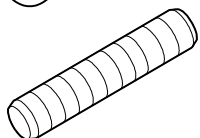
(26 PCS)



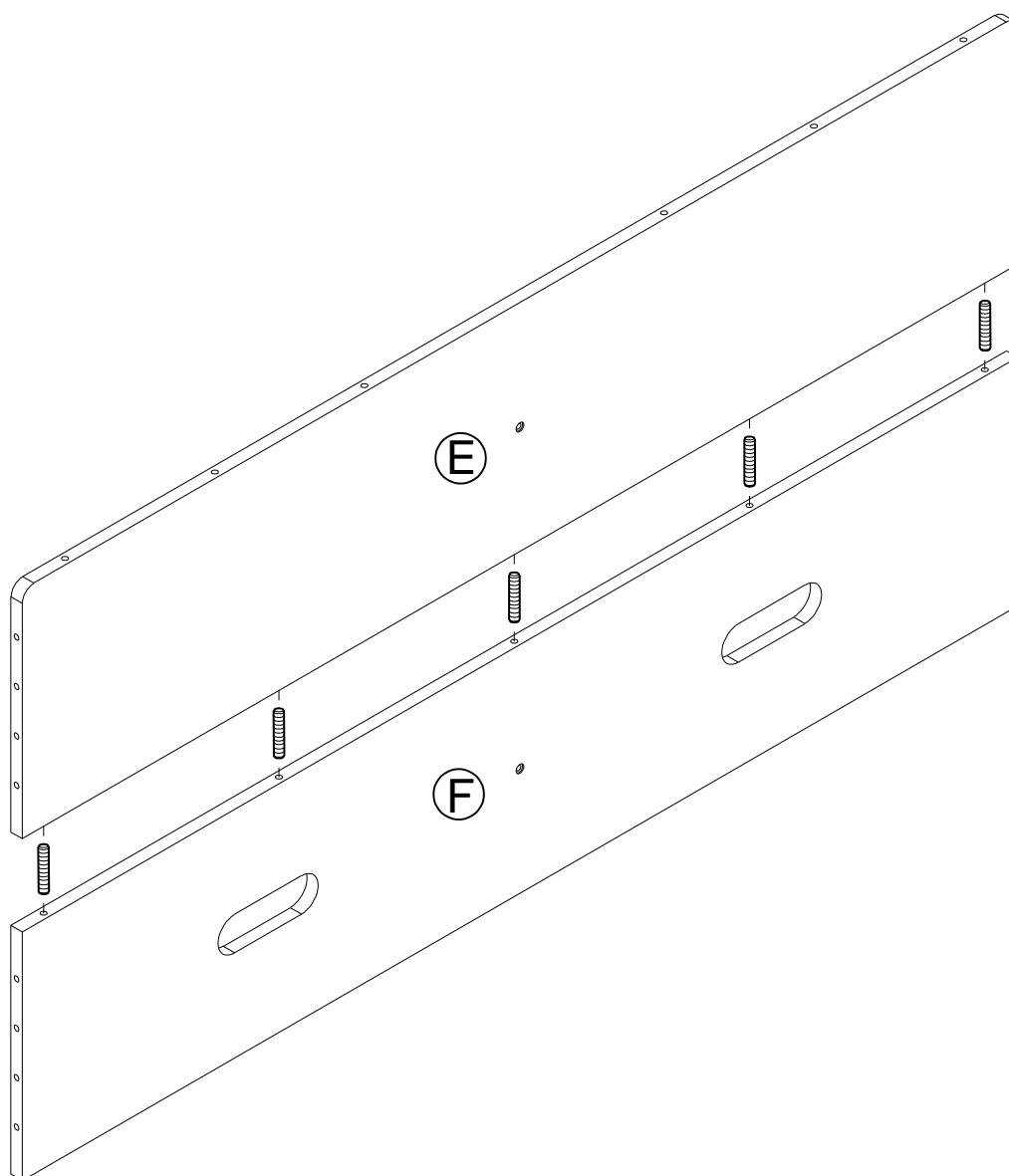
Step 3:

* Attach the BACK UPPER PANEL (E) to the BACK LOWER PANEL (F) by Five WOOD DOWEL (13) .

13

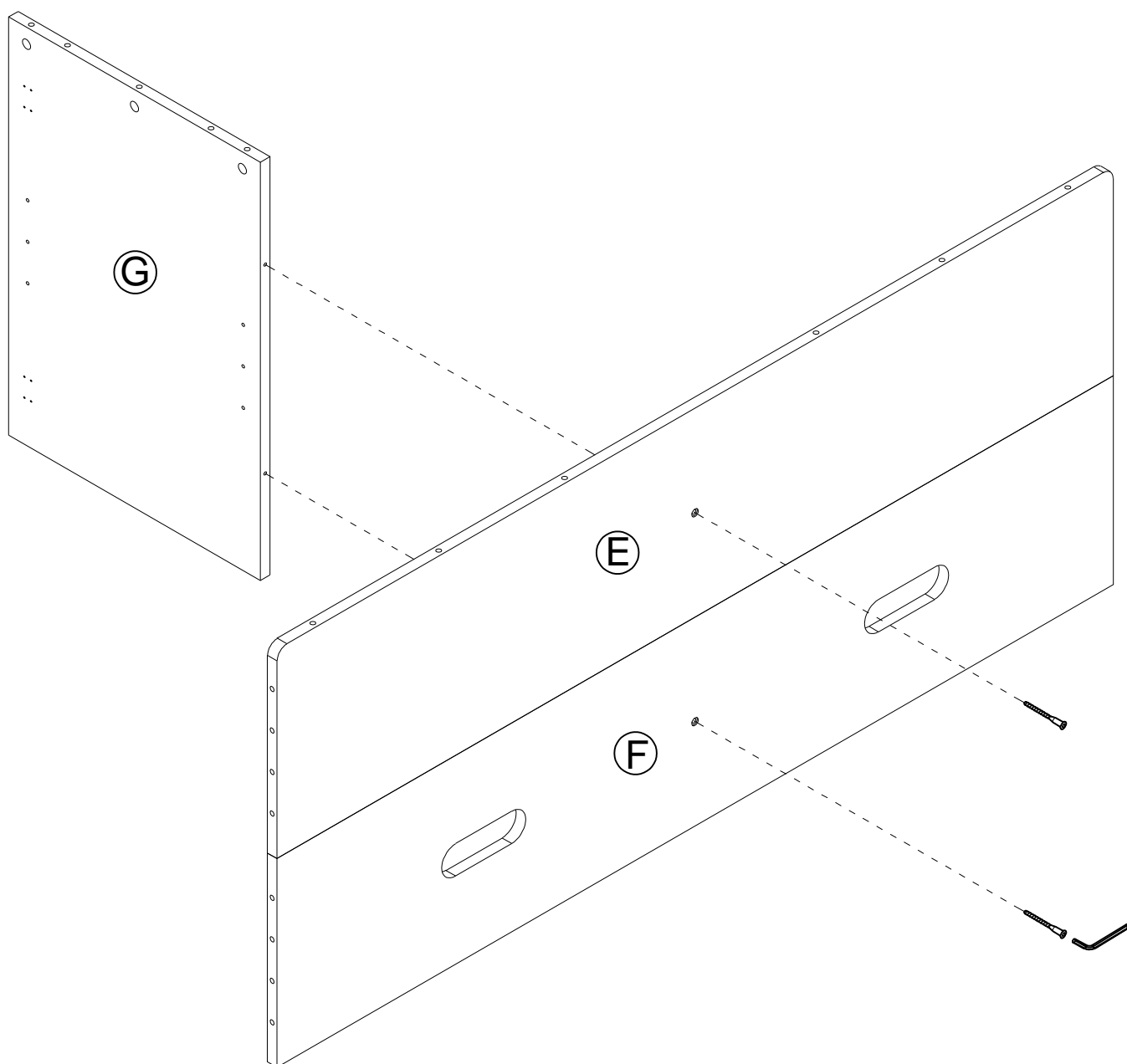
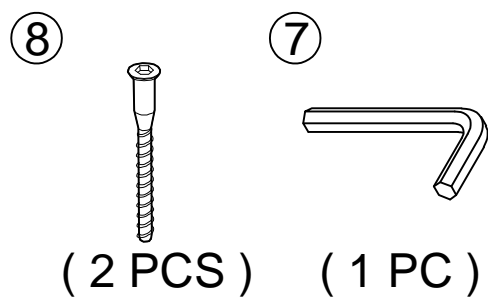


(5 PCS)



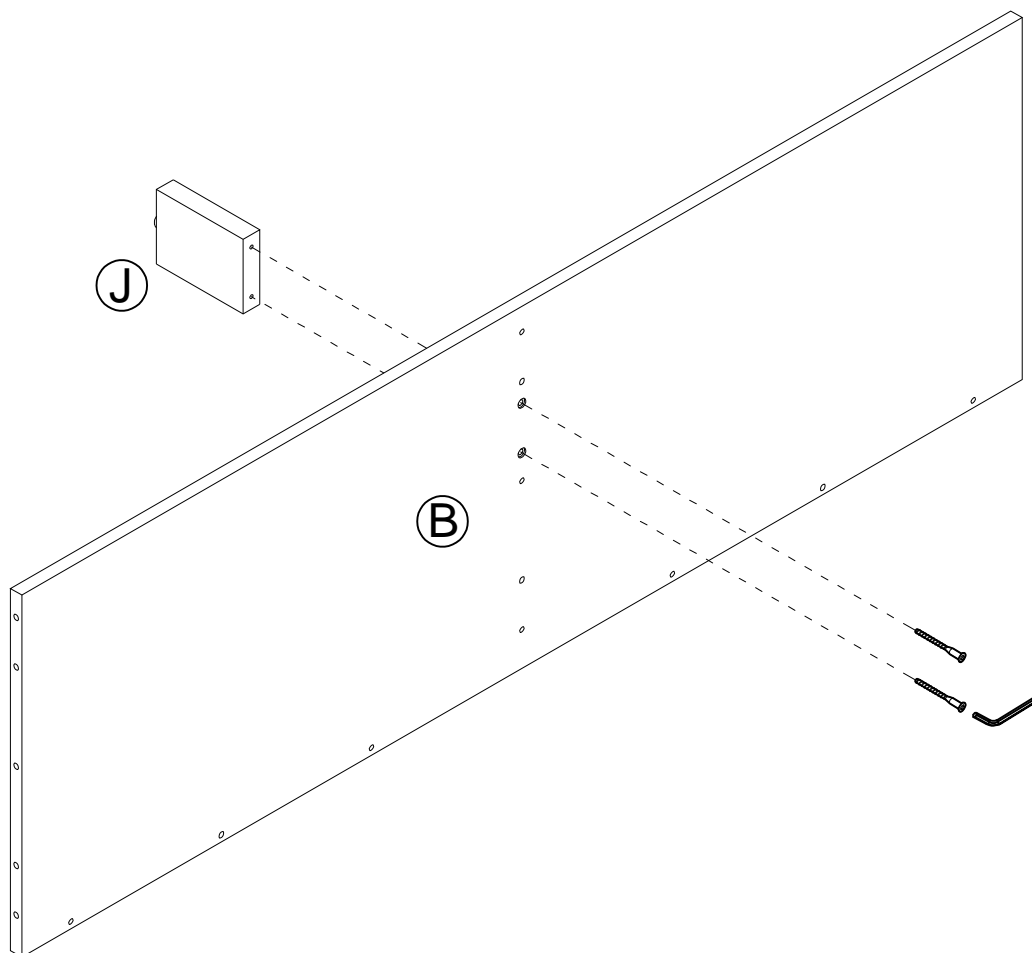
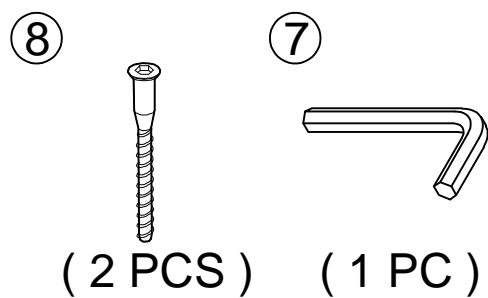
Step 4:

* Attach the BACK UPPER PANEL (E) and BACK LOWER PANEL (F) to the BETWEEN PANEL (G) by the Two Screw(8) and LOCK(7).



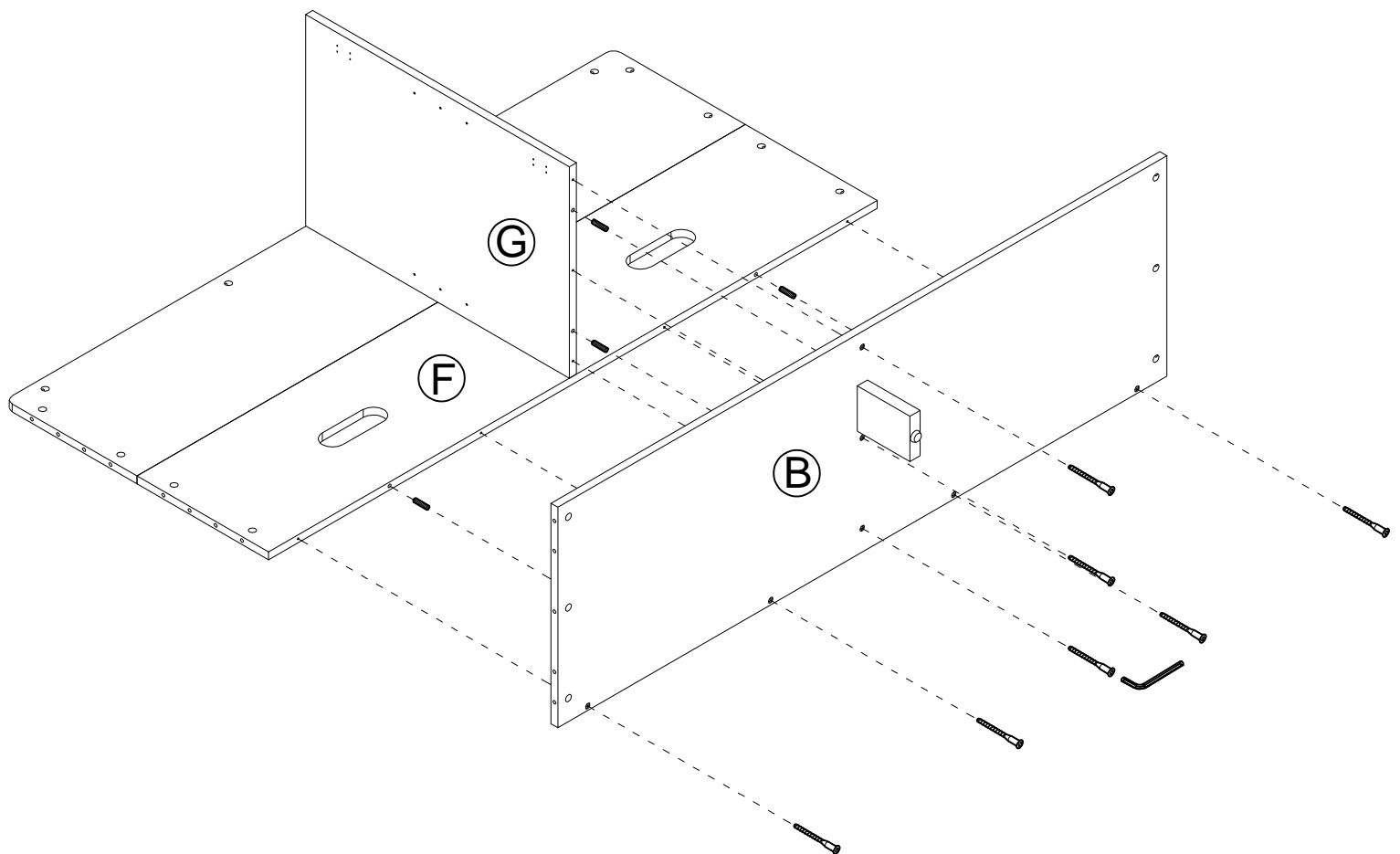
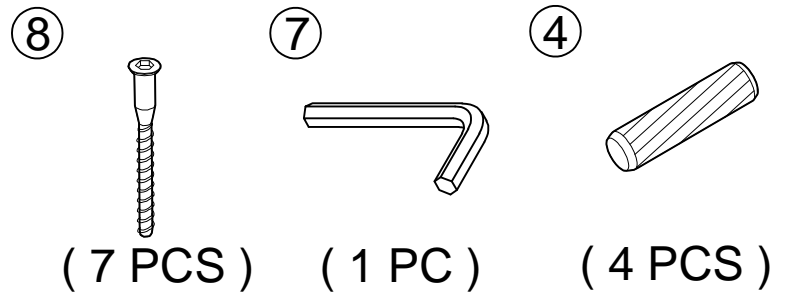
Step 5:

* Attach the FOOTBOARD PANEL (J) to the BOTTOM PANEL (B) by the Two Screw(8) and LOCK(7).



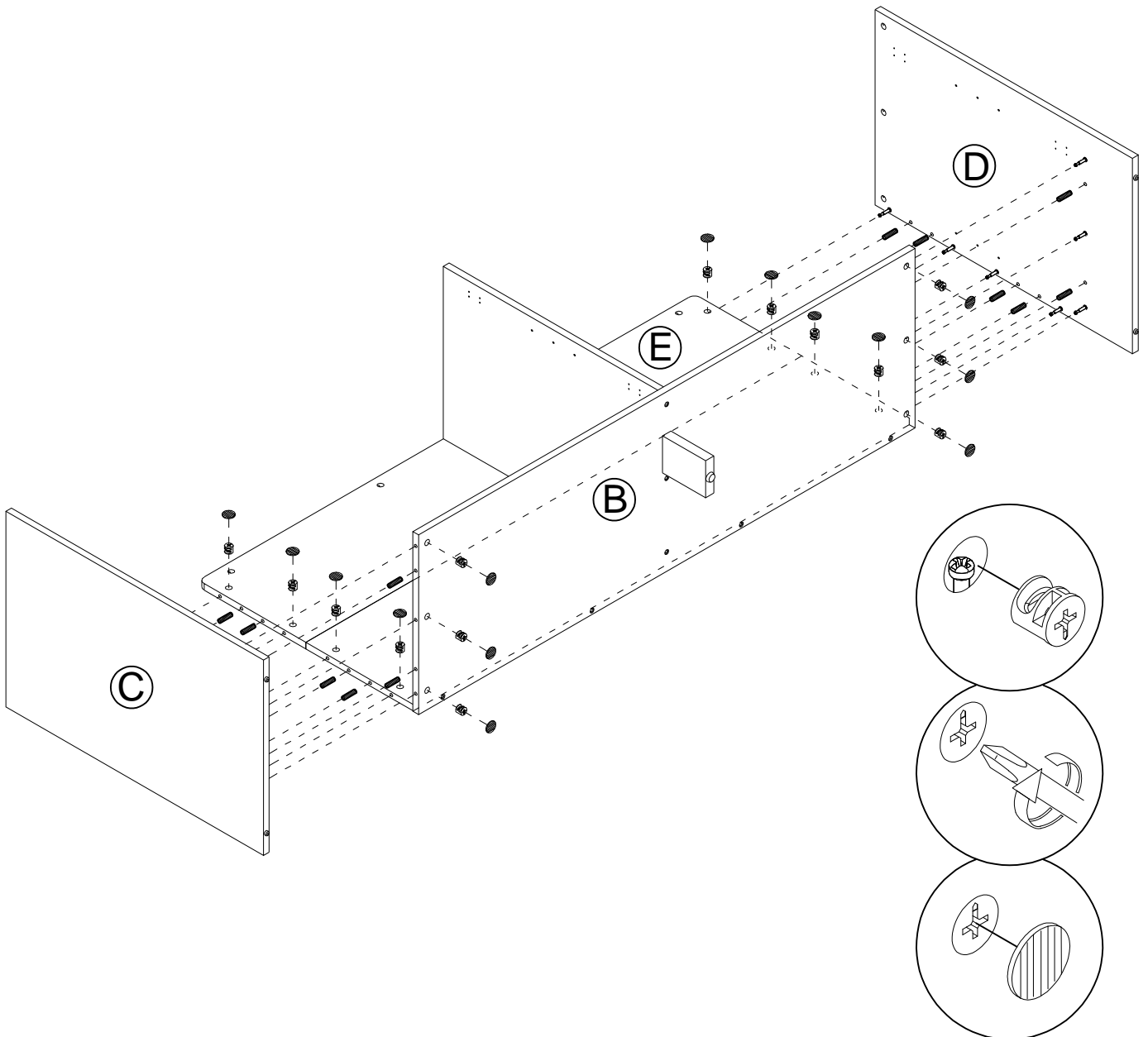
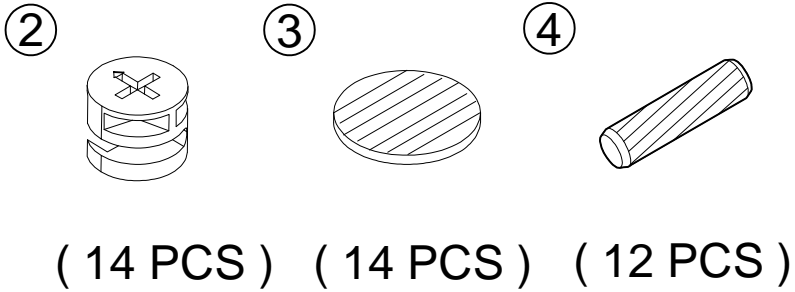
Step 6:

* Attach the BOTTOM PANEL(B) to the BETWEEN PANEL (G) and BACK LOWER PANEL (F) by the Seven Screw(8), Four WOOD DOWEL (4) and LOCK(7).



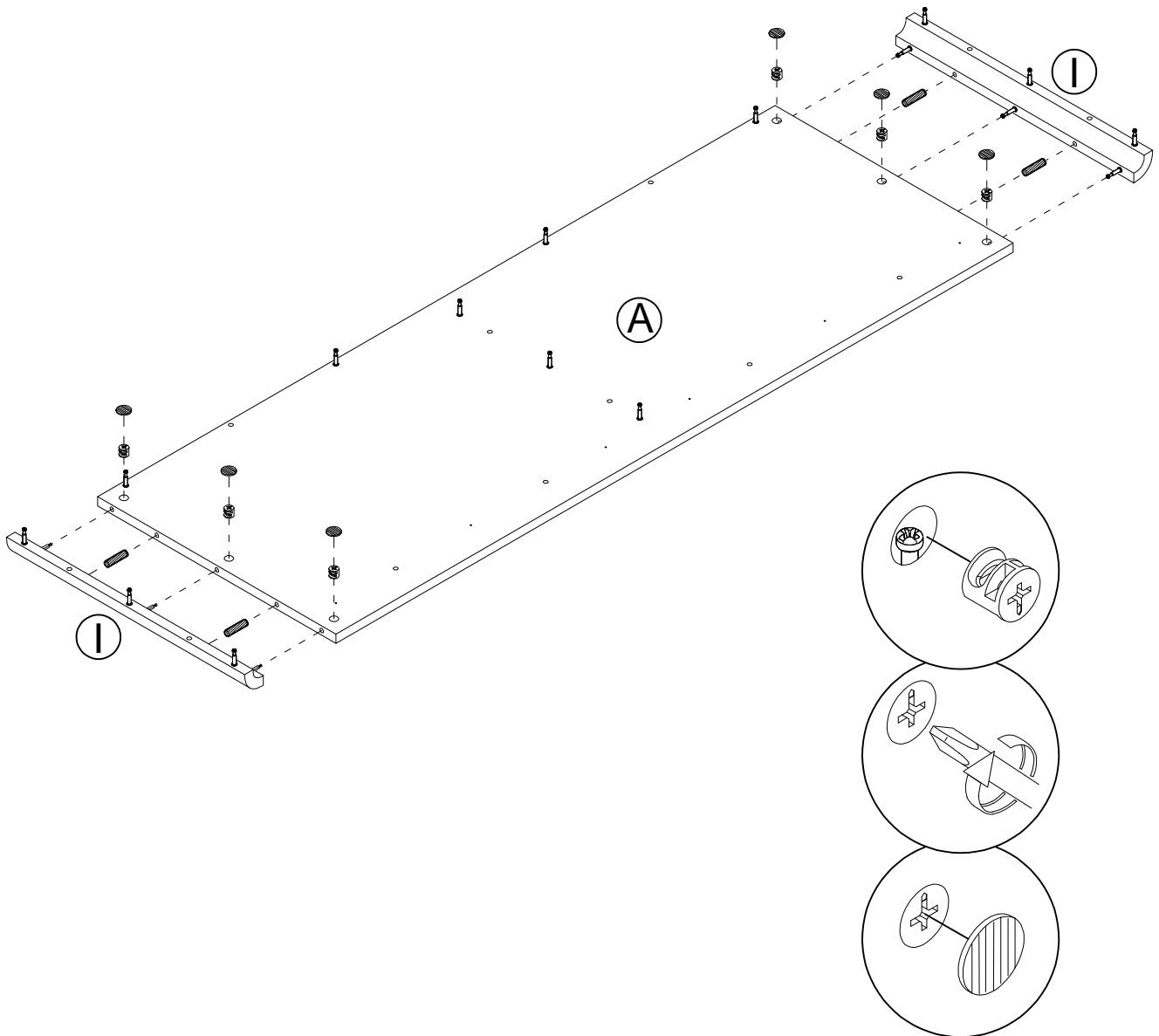
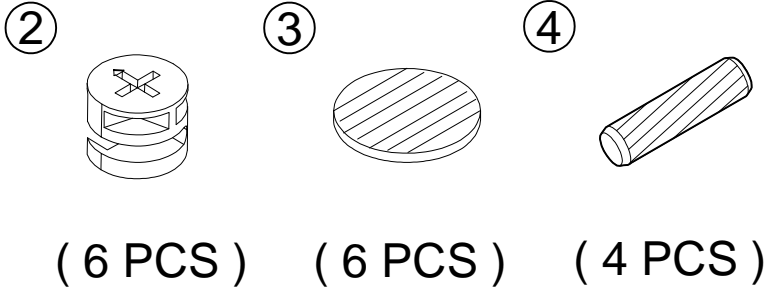
Step 7:

* Attach the BACK UPPER PANEL (E), BACK LOWER PANEL (F) and BOTTOM PANEL(B) to the LEFT PANEL (C) and RIGHT PANEL (D) by the Fourteen KD LARGE CAM (2) , Fourteen COVER CAP (3) and Twelve WOOD DOWEL (4) .



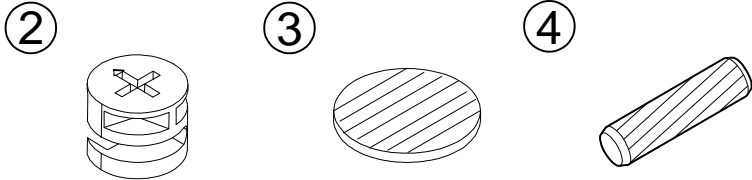
Step 8:

* Attach the TOP PANEL (A) to the Two the CURVED BAR (G) by the Six KD LARGE CAM (2) , Six COVER CAP (3) and Four WOOD DOWEL (4) .

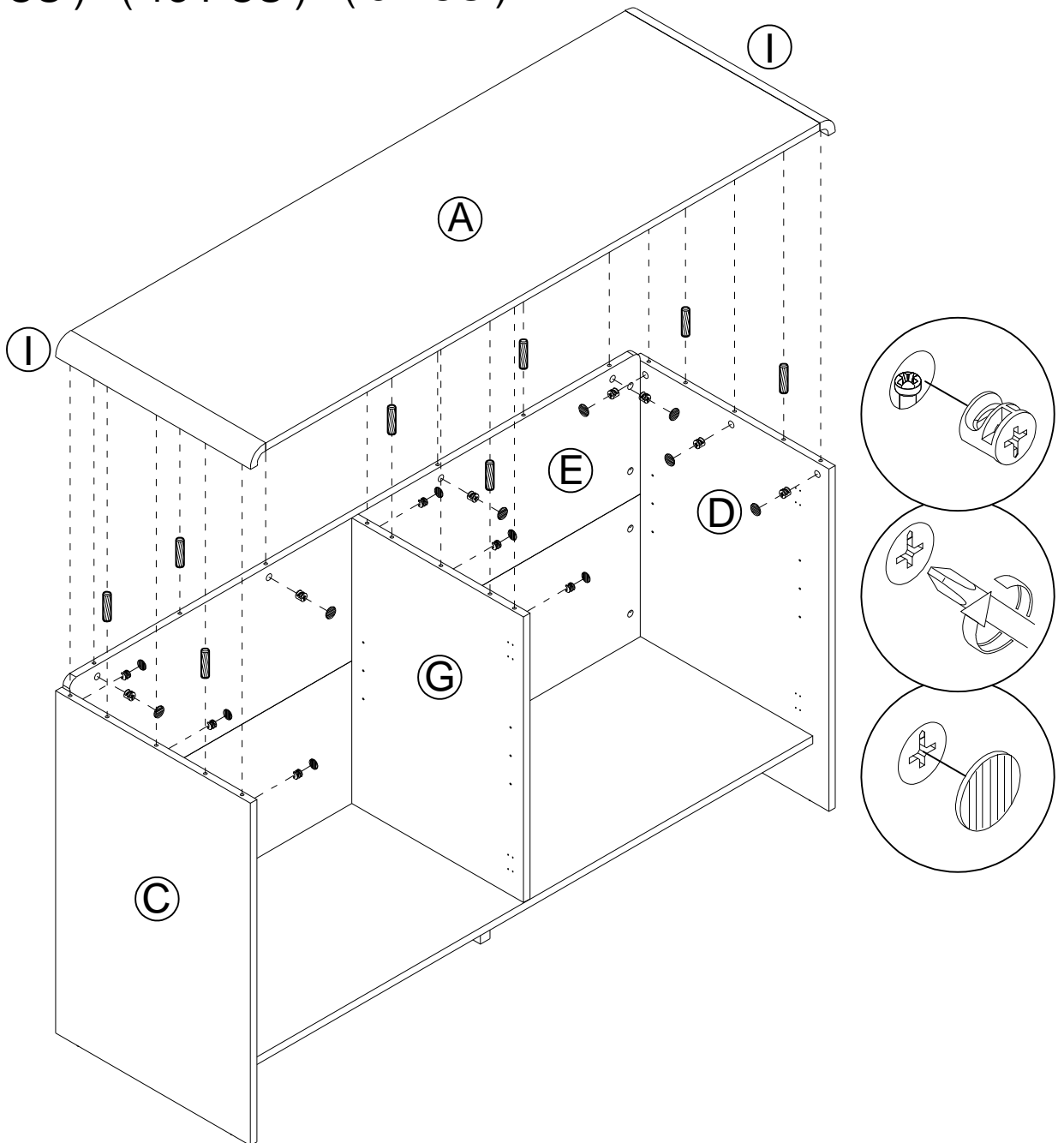


Step 9:

* Attach Two the CURVED BAR (I) and TOP PANEL(A) to the LEFT PANEL (C), BACK UPPER PANEL (E), BETWEEN PANEL(G) and RIGHT PANEL (D) by the Thirteen KD LARGE CAM (2) , Thirteen COVER CAP (3) and Eight WOOD DOWEL (4) .

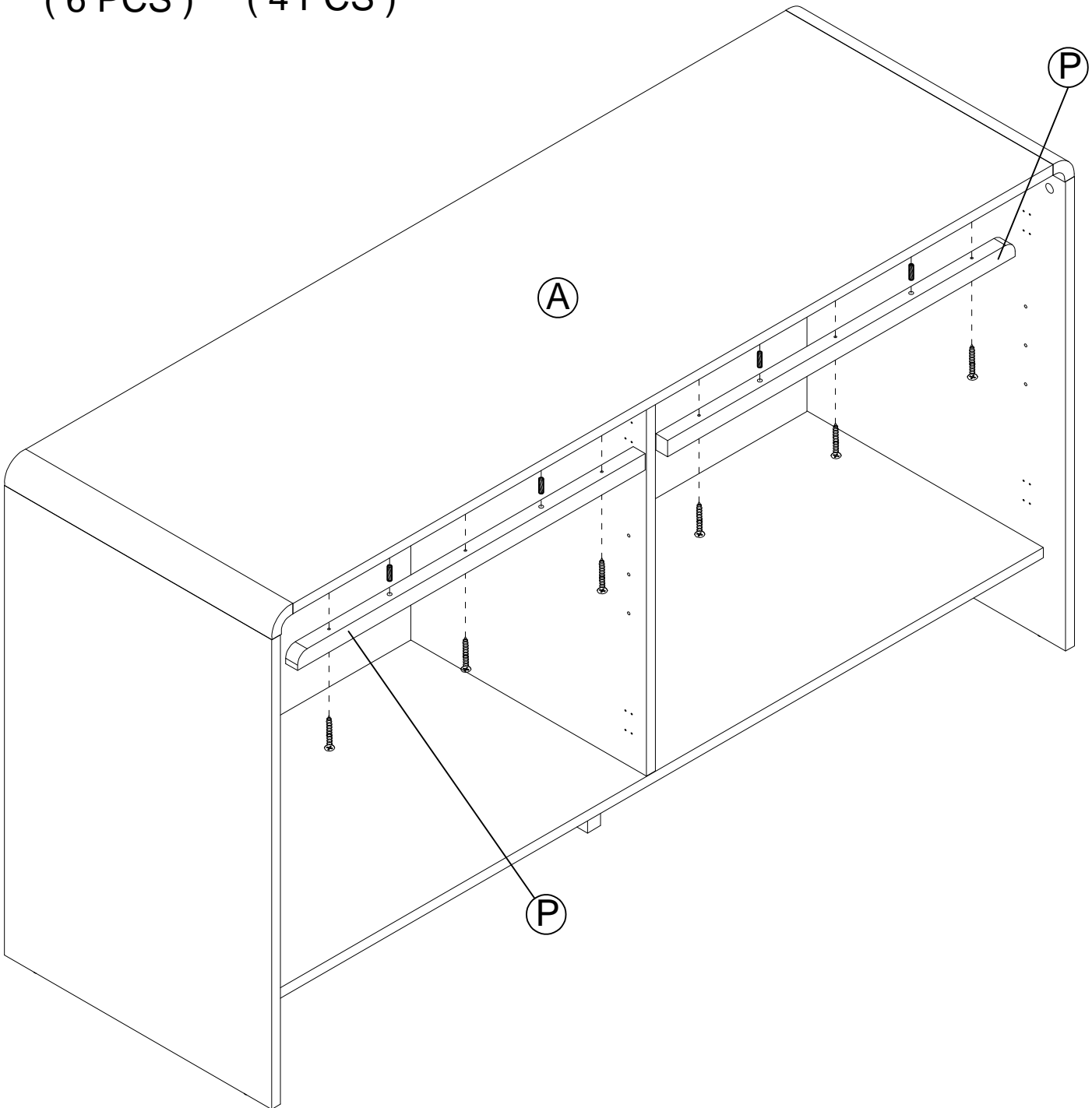
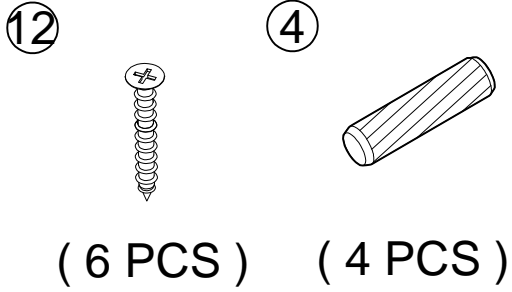


(13 PCS) (13 PCS) (8 PCS)



Step 10:

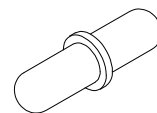
* Attach the Two TOP PANEL SUPPORT (P) to the TOP PANEL (A) by the SCREW(12) and Four WOOD DOWEL (4) .



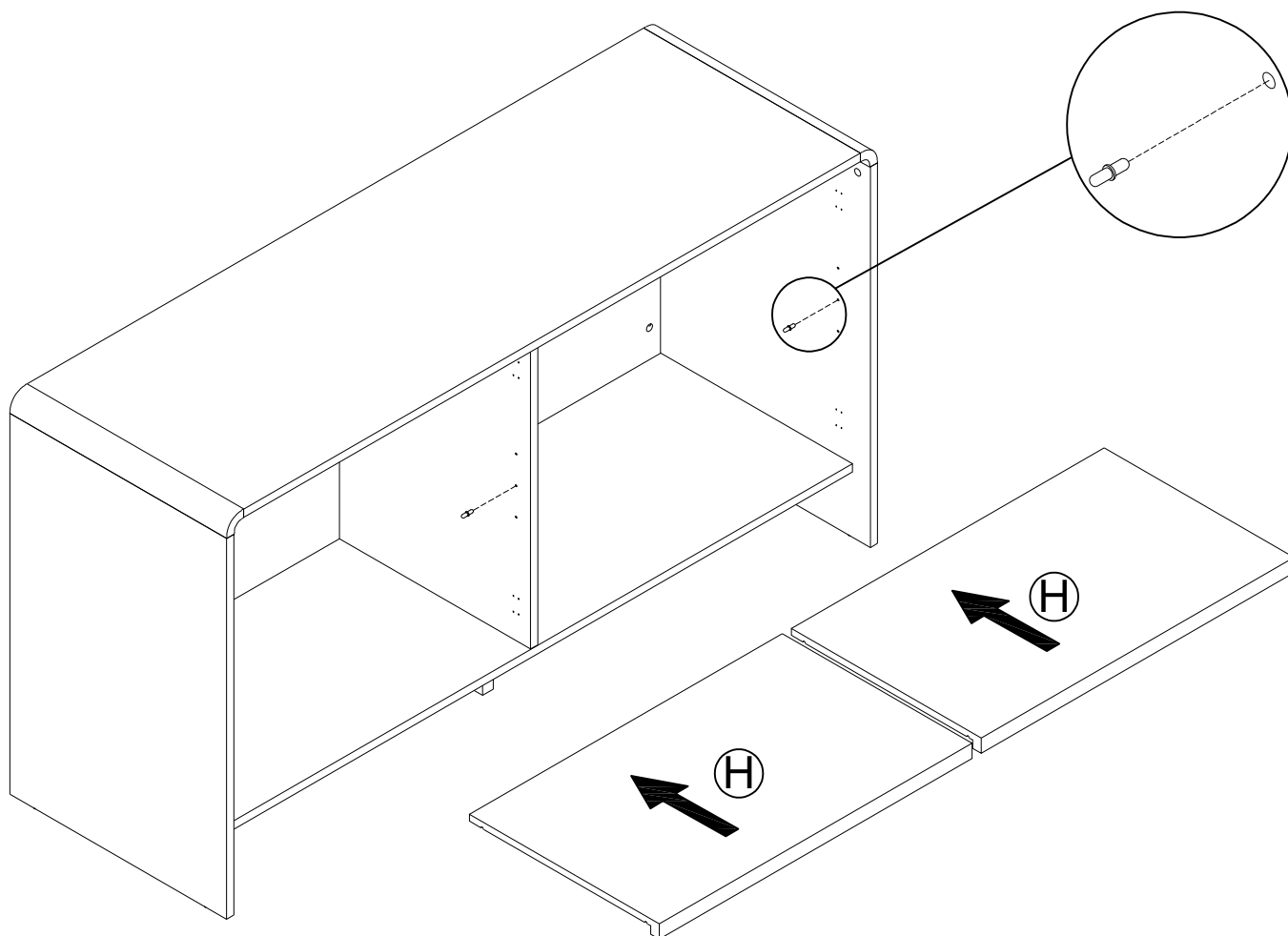
Step 11:

*Input Two SHELF PANEL(H) to the sideboard with Eight SHELF SUPPORT(5) .

⑤



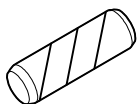
(8 PCS)



Step 12:

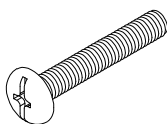
* Assemble Two the HANDLE (O) to the LEFT DOOR (K) and LEFT MIDDLE DOOR (L) by the Six BOLT (15) and Four WOOD DOWEL(14).

14

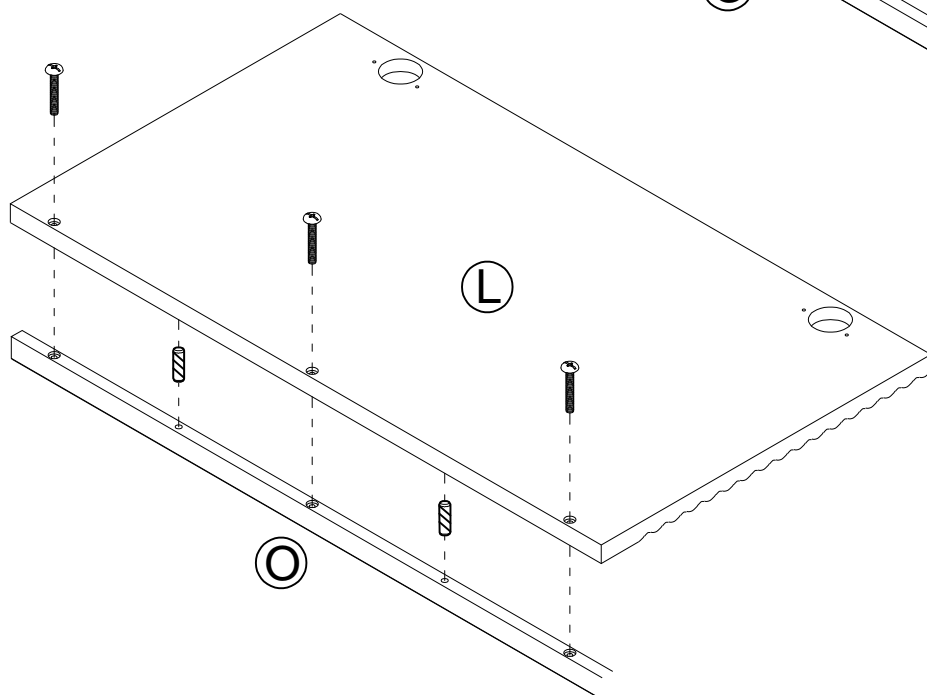
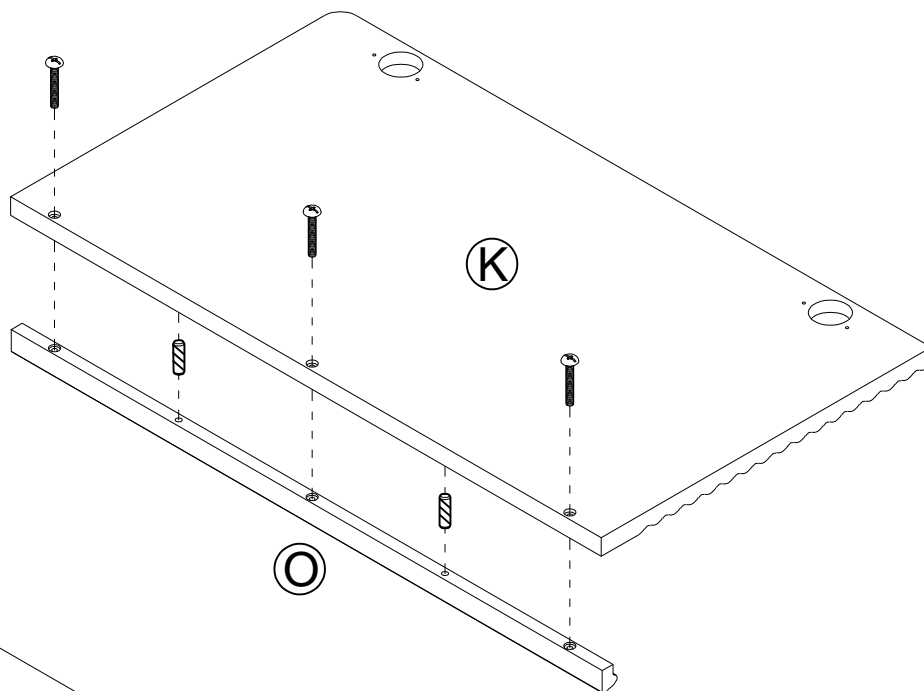


(4 PCS)

9



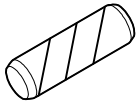
(6 PCS)



Step 13:

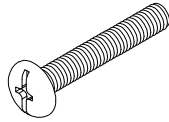
* Assemble Two the HANDLE (O) to the RIGHT MIDDLE DOOR (M) and RIGHT DOOR (N) by the Six BOLT (15) and Four WOOD DOWEL(14).

14

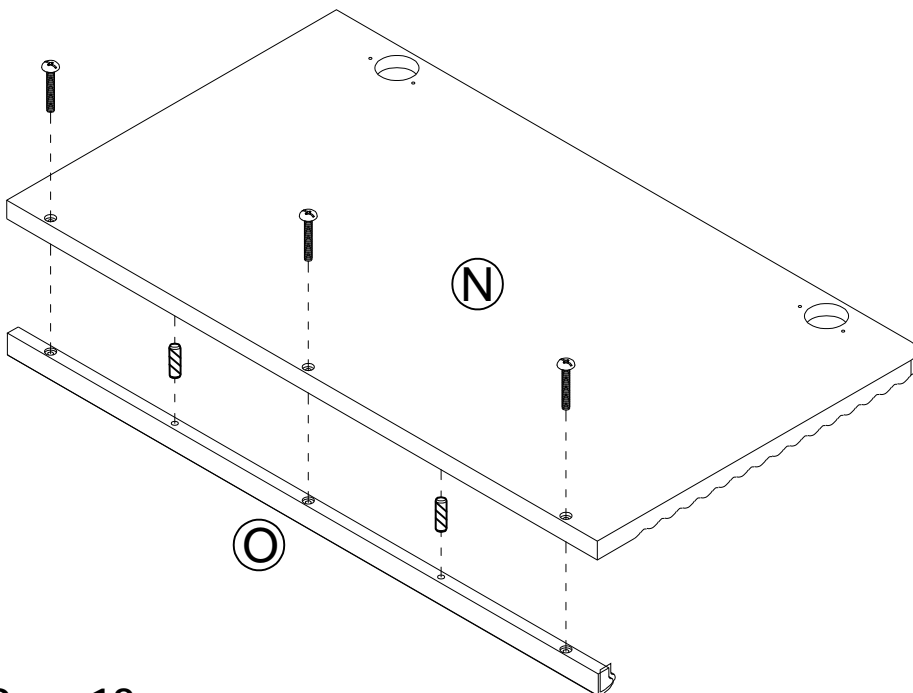
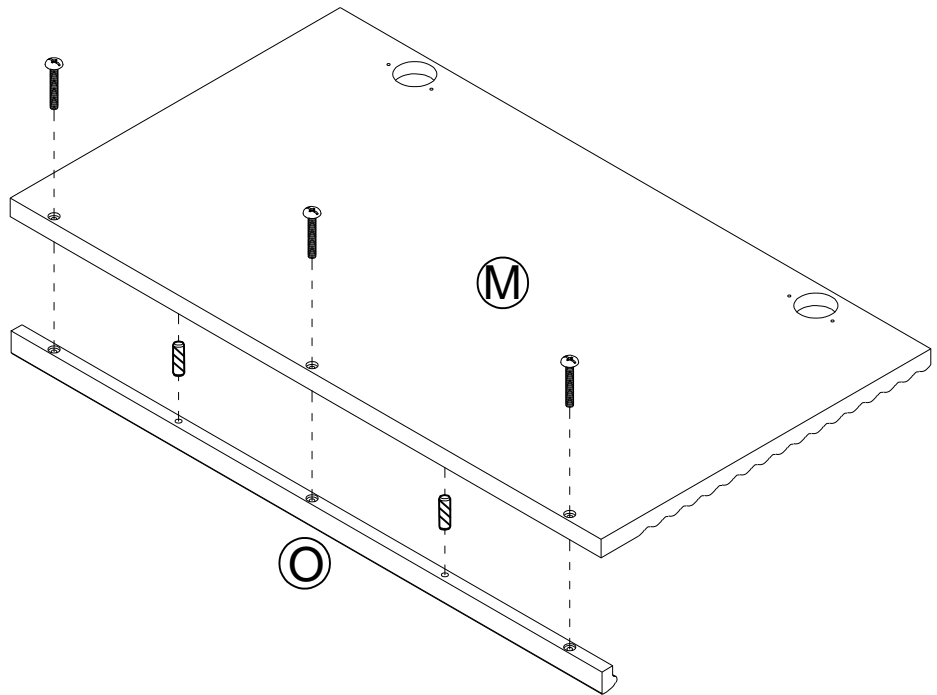


(4 PCS)

9

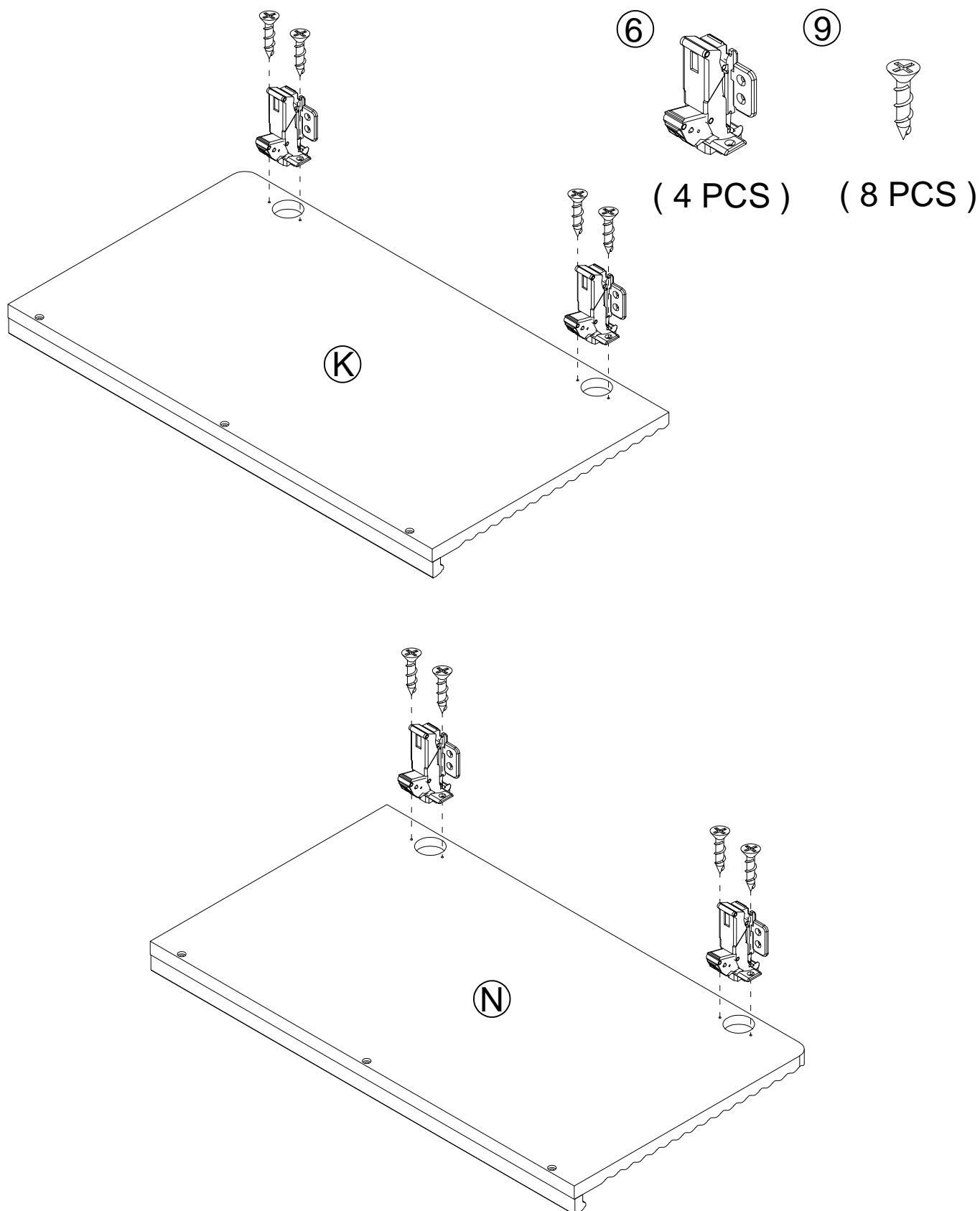


(6 PCS)



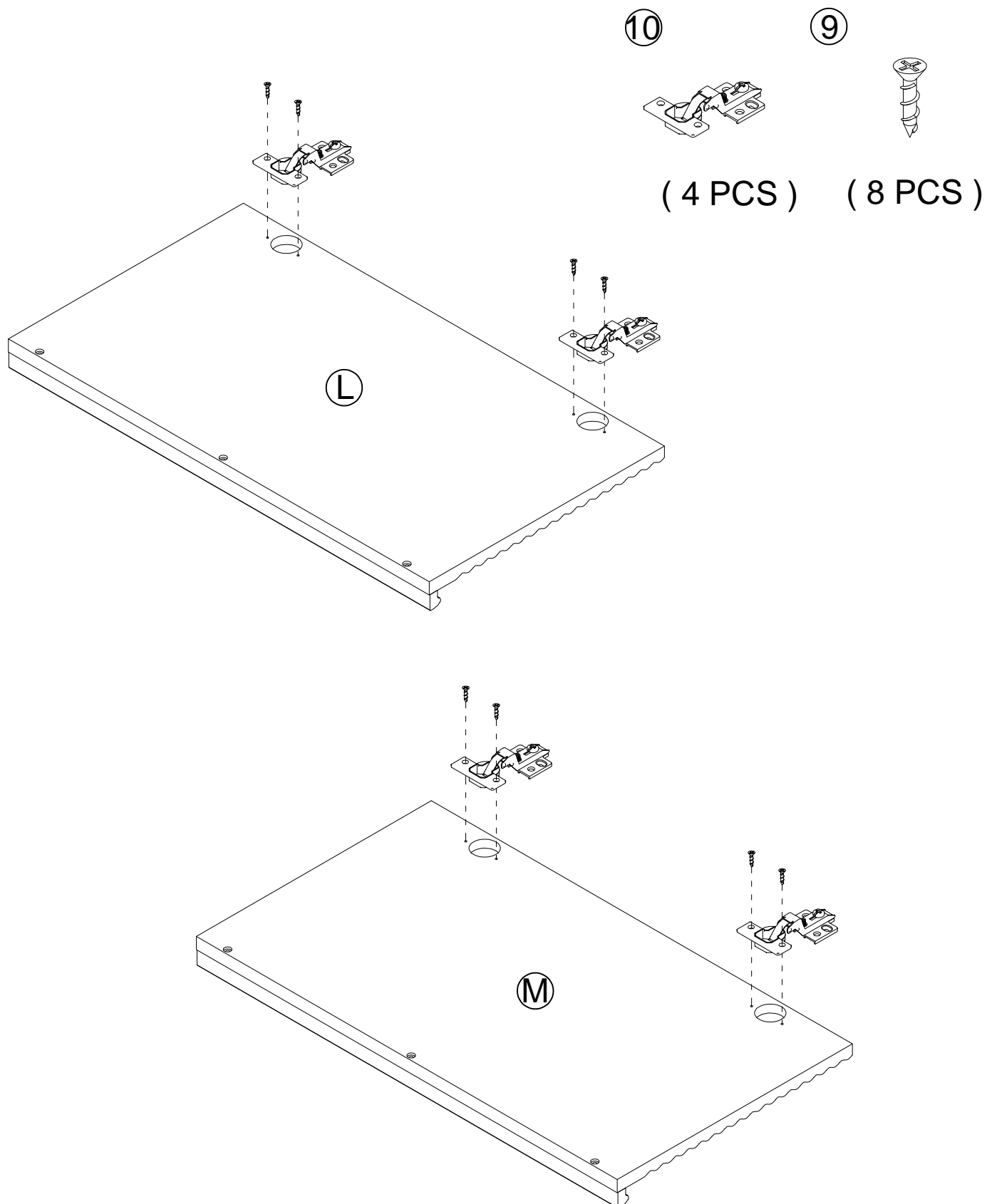
Step 14:

* Assemble the HINGE(6) to the LEFT DOOR (K) and RIGHT DOOR (N) with the SCREW (9) .



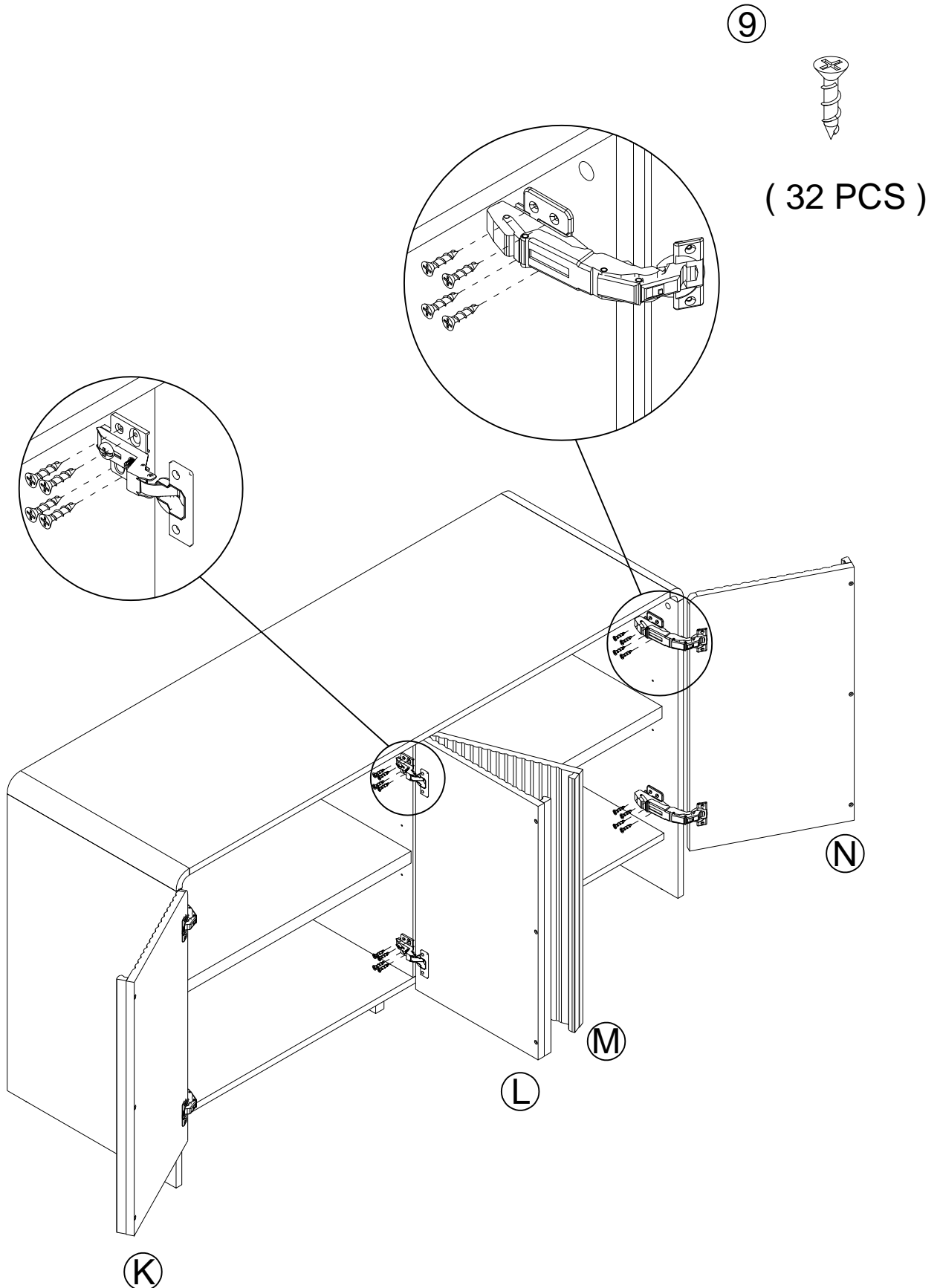
Step 15:

* Assemble the HINGE(10) to the LEFT MIDDLE DOOR (L) and RIGHT MIDDLE DOOR (M) with the SCREW (9) .



Step 16:

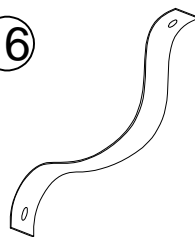
* Attach the LEFT DOOR (K), LEFT MIDDLE DOOR(L), RIGHT MIDDLE DOOR (M) and RIGHT DOOR(N) to the sideboard with the SCREW (9) .



Step 17:

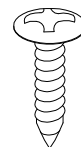
* Attach anti-tipping straps to the back of the sideboard.

16

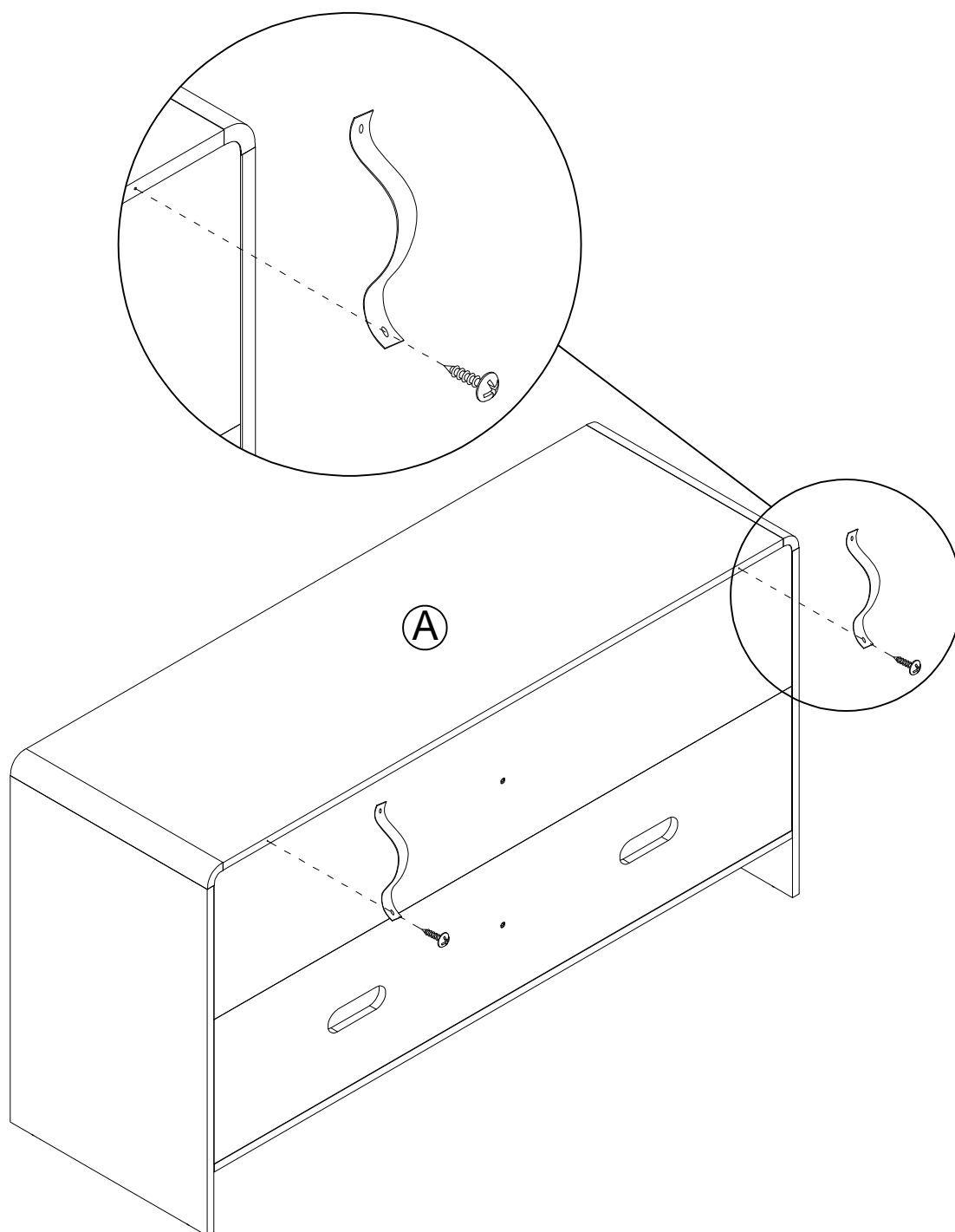


(2 PCS)

17



(2 PCS)



Step 18:

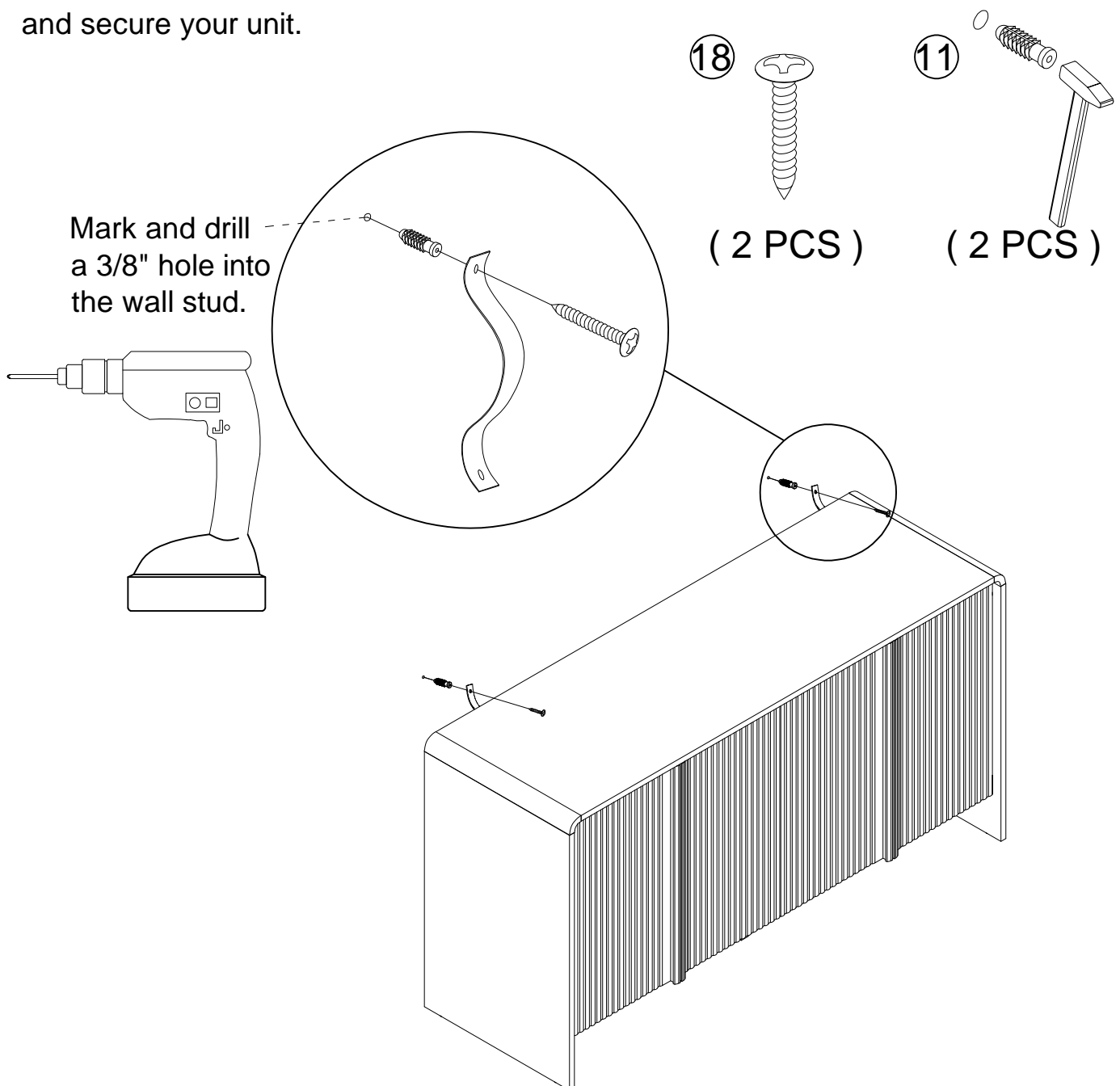
1st- With your pencil, strike a mark through the center of the hole in the SAFETY STRAP.

2nd- Drill a 3/8" hole on the mark.

3rd- FURNITURE TIPPING RESTRAINT KIT (11) into the hole until it is even with the surface of the wall.

4th- Turn the LONG SCREW through the hole in the SAFETY STRAP and into the WALL ANCHOR.

NOTE: You will need to turn the LONG SCREW multiple turns to completely tighten and secure your unit.





WARRANTY POLICY

All Manhattan Comfort furniture products are warranted, to the original purchaser at the time of purchase and for a period of 30 days thereafter.

Our warranty is limited to new products purchased in factory sealed cartons. This warranty is valid in the United States of America and Canada.

In order to provide you with timely assistance, please thoroughly inspect your furniture for missing or defective parts immediately after opening the carton.

Manhattan Comfort offers a 30-day parts replacement warranty on all items.

Our furniture products are not intended for outdoor use.

THE WARRANTY DOES NOT COVER:

- Defects/damages by improper assembly or disassembly.
- Defects/damages caused by shipping. Claims for damage during transit should be placed immediately to the transportation company.
- Defects/damages caused by inappropriate use of the furniture.



319 Ridge Rd. Dayton, NJ 08810

908-888-0818