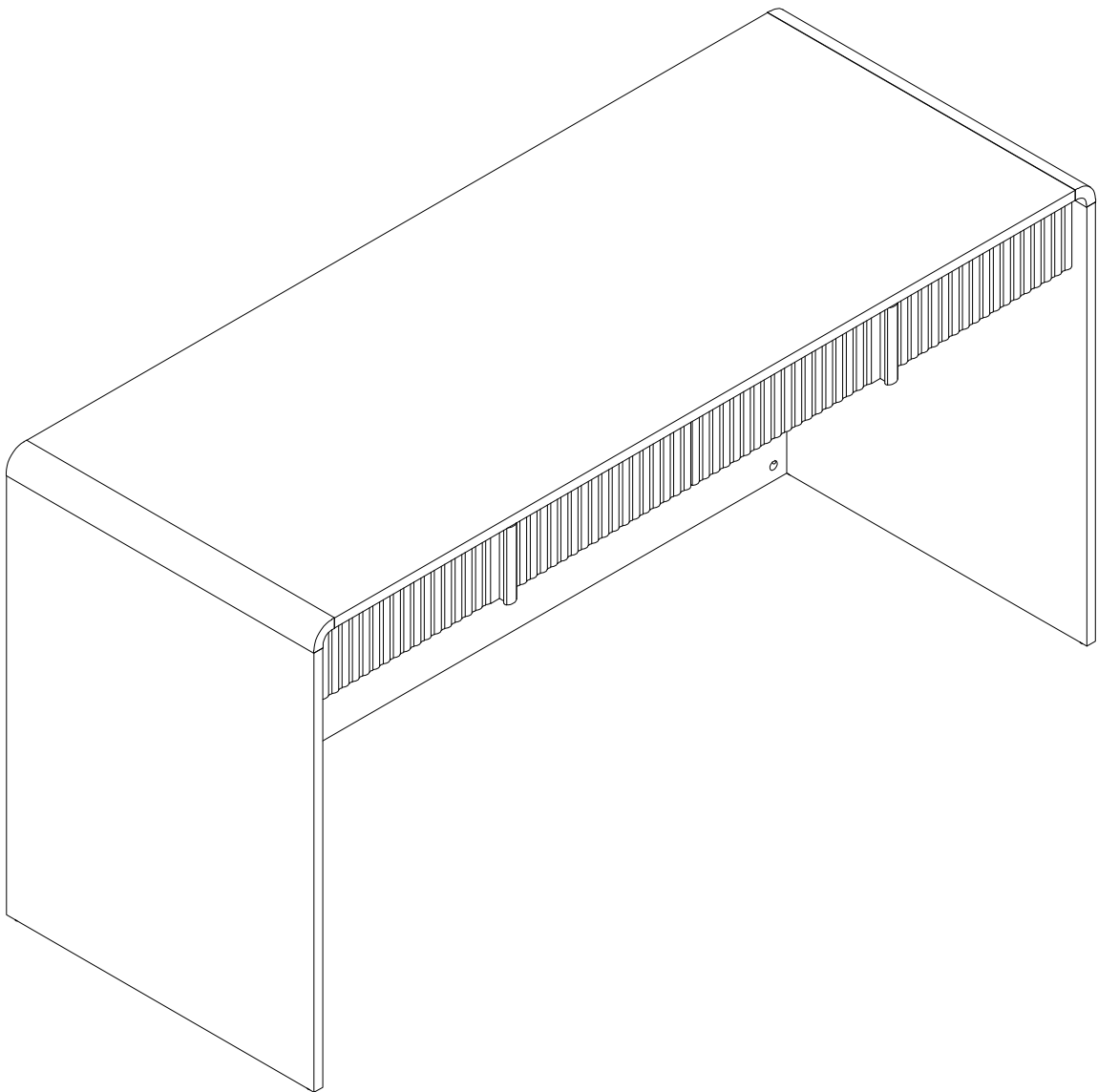


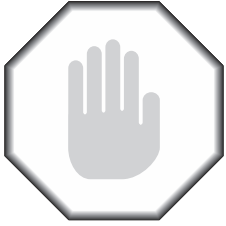


**MANHATTAN
COMFORT**

DK1672



V.08082025

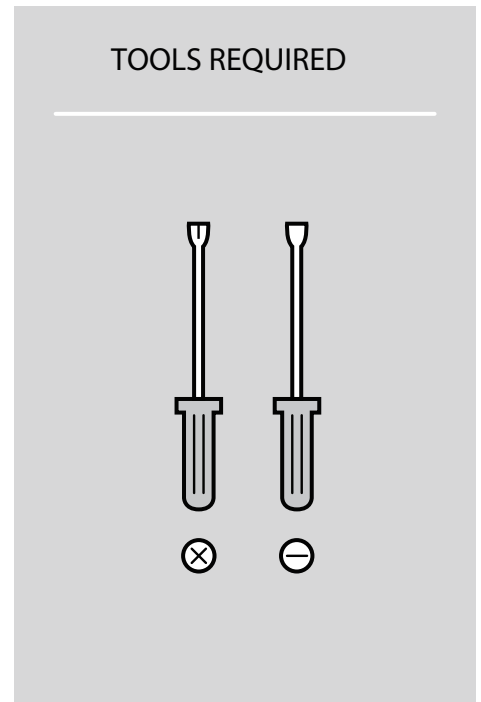
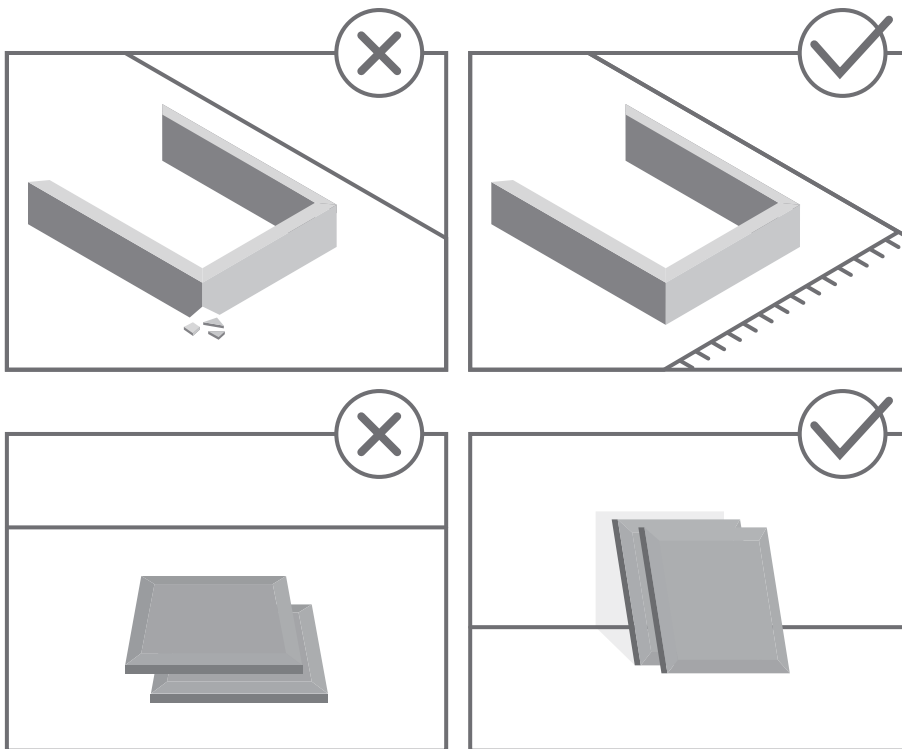


STOP!

Before beginning the assembly process, ensure all boxes and parts have been delivered.

FOR BEST RESULTS:

- Do not throw away packaging materials until assembly is complete.
- Assemble item on a soft surface, such as cardboard or carpet, to protect finish.
- Proper assembly requires two people.



View our assembly video online:
WWW.MANHATTANCOMFORT.COM



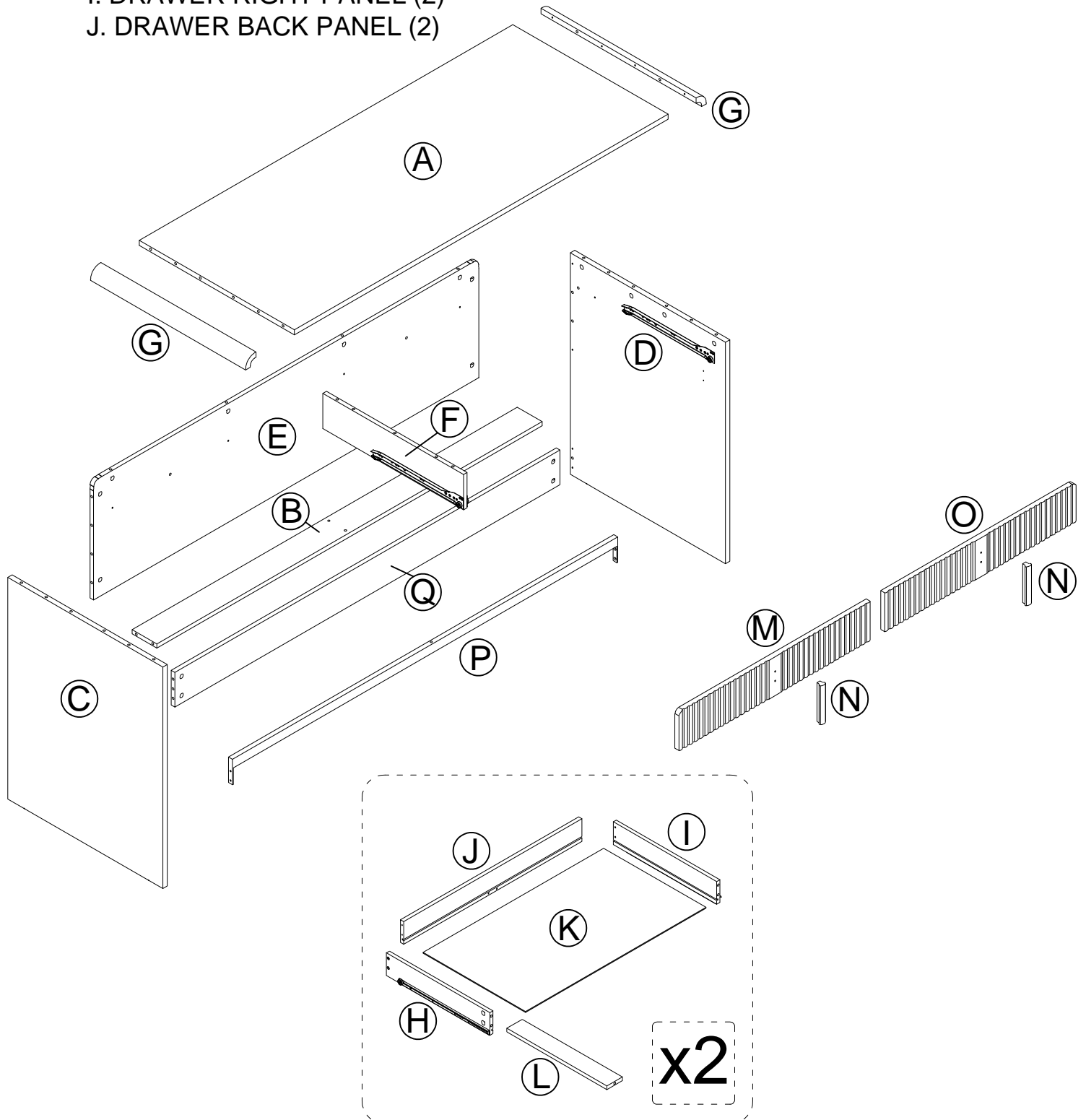
Stuck? Question? We are here to help.
tel: 908-888-0818
e-mail: help@manhattancomfort.com

Support Site



Included in this package:

- A. TOP PANEL(1)
- B. BACK HORIZONTAL PANEL (1)
- C. LEFT PANEL (1)
- D. RIGHT PANEL (1)
- E. BACK UPPER PANEL (1)
- F. BETWEEN PANEL (1)
- G. CURVED BAR (2)
- H. DRAWER LEFT PANEL (2)
- I. DRAWER RIGHT PANEL (2)
- J. DRAWER BACK PANEL (2)
- K. DRAWER BOTTOM PANEL (2)
- L. DRAWER SUPPORT PANEL (2)
- M. DRAWER LEFT FRONT PANEL (1)
- N. HANDLE (2)
- O. DRAWER RIGHT FRONT PANEL (1)
- P. METAL BAR (1)
- Q. BACK LOWER PANEL (1)

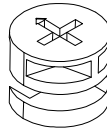


Hardware Identification

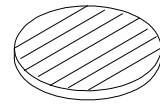
① KD BOLT - 47pcs
L=35mm



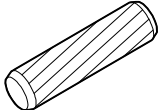
② KD LARGE CAM - 37pcs
Ø15*11mm



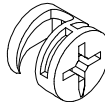
③ COVER CAP - 47pcs



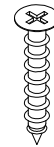
④ WOOD DOWEL-23pcs
Ø8*30mm



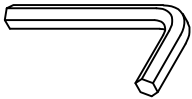
⑤ KD SMALL CAM - 10pcs
Ø15*9mm



⑥ SCREW - 12pcs
Ø4*38mm



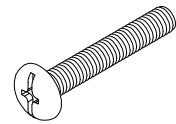
⑦ LOCK - 1pc



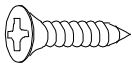
⑧ SCREW - 2pcs
Ø6*50mm

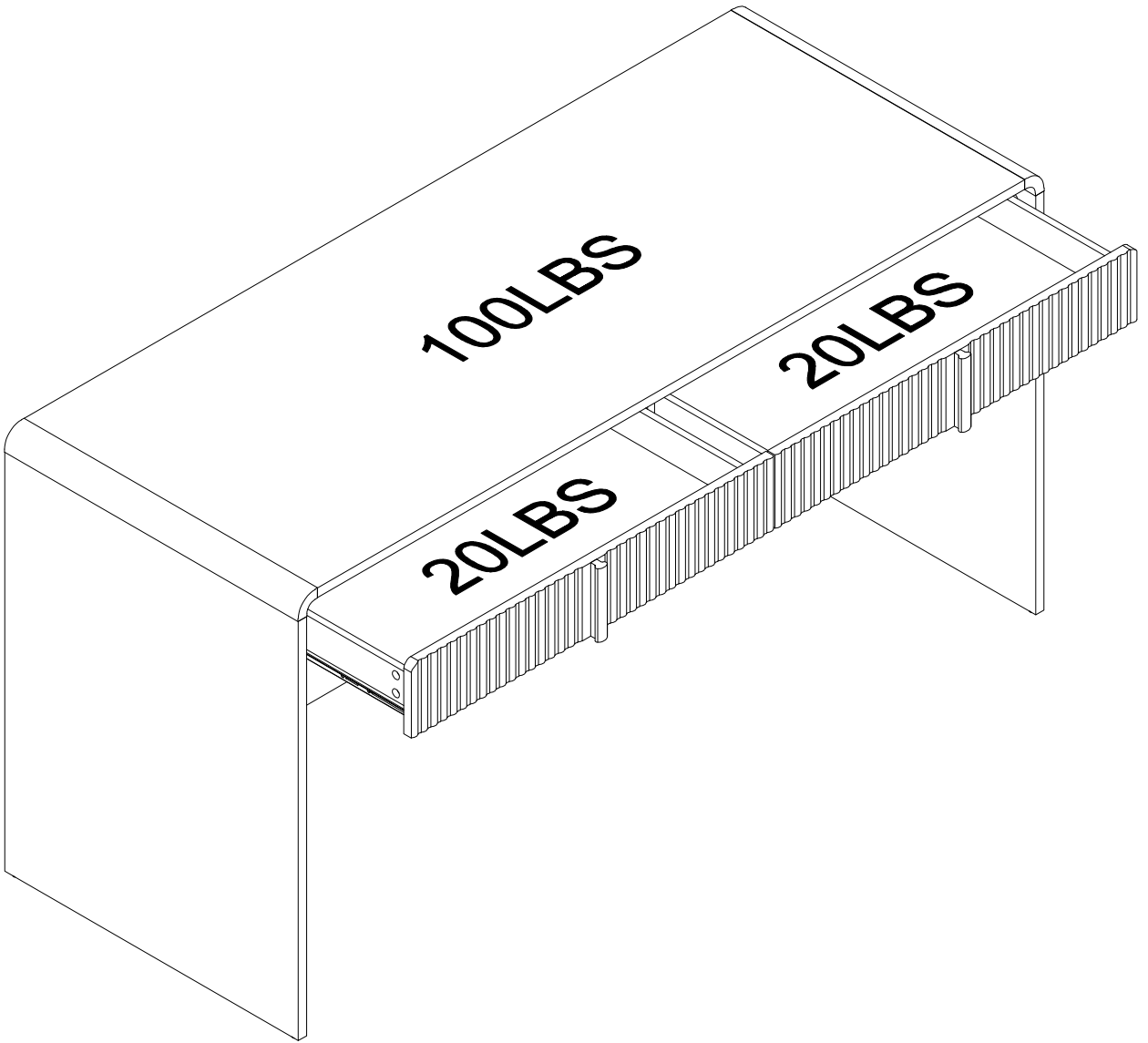


⑨ BOLT - 4pcs



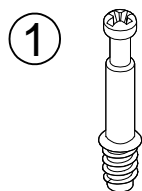
⑩ SCREW - 4pcs
Ø3.5*14mm



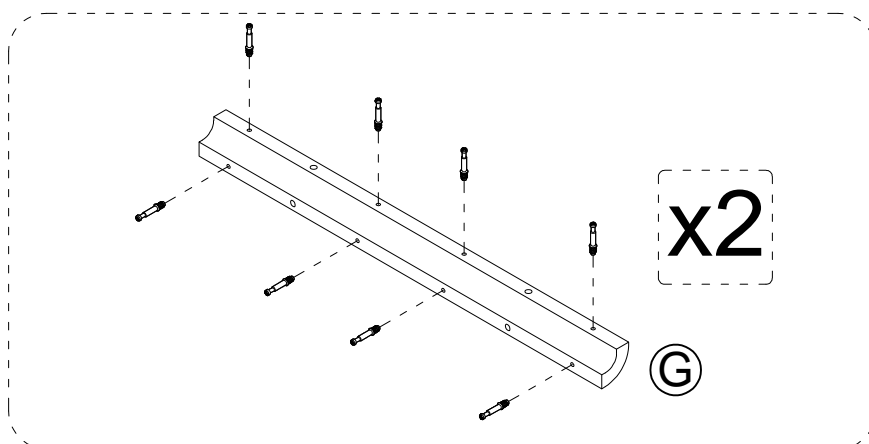
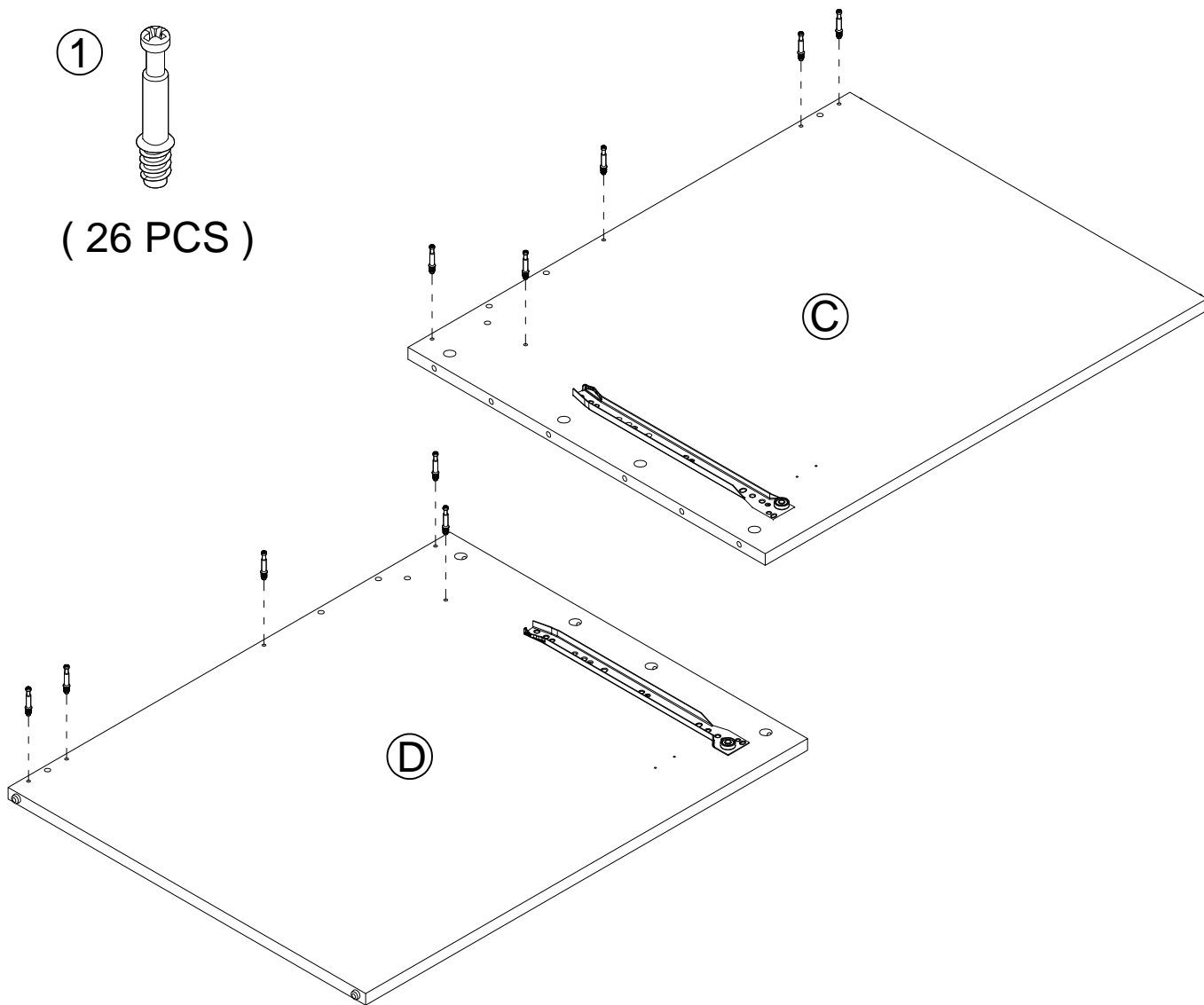


Step 1:

* Insert Twenty-Six KD BOLT (1) to the LEFT PANEL (C), RIGHT PANEL(D) and Two the CURVED BAR (G).

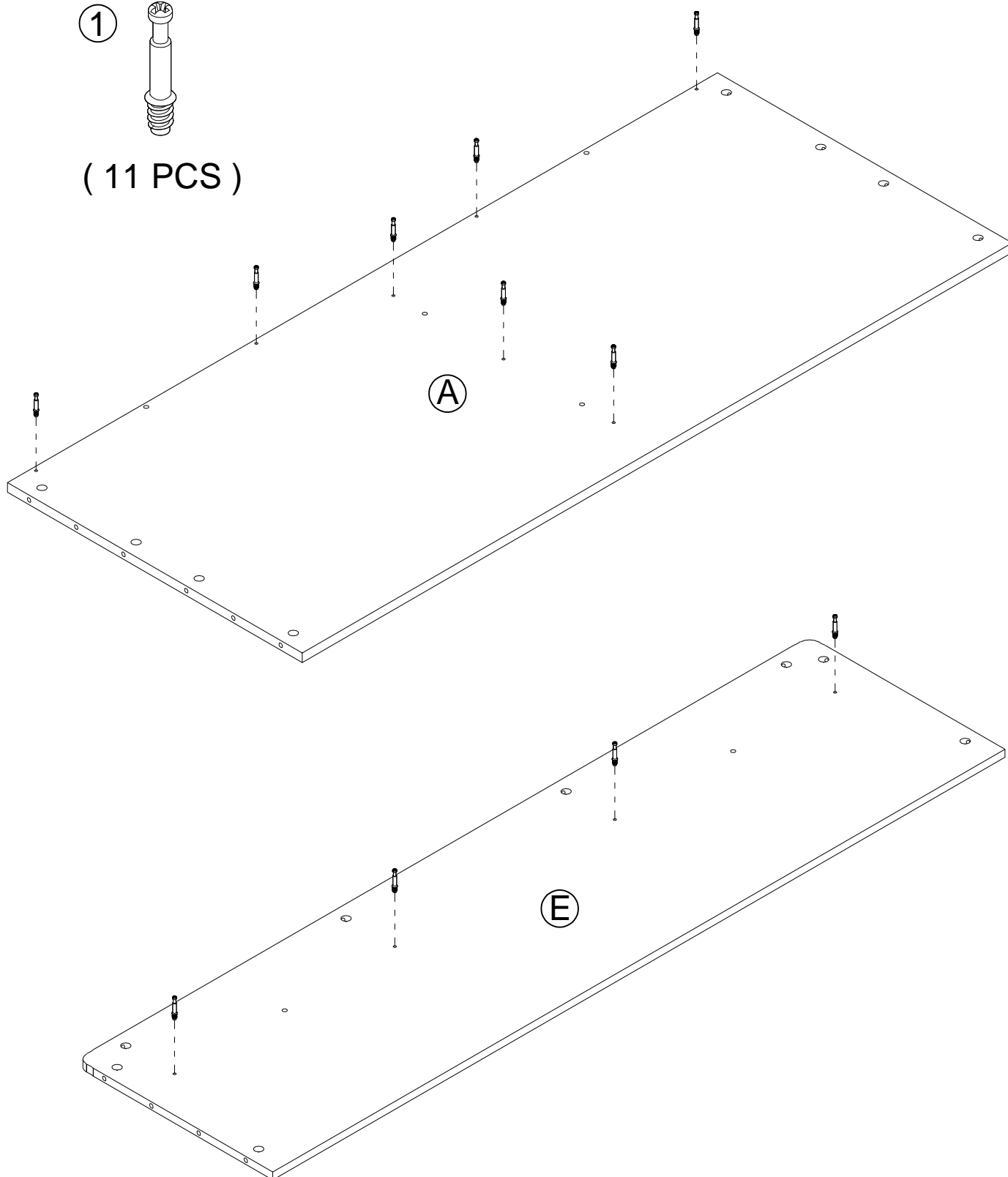
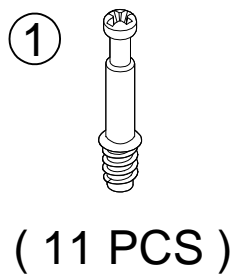


(26 PCS)



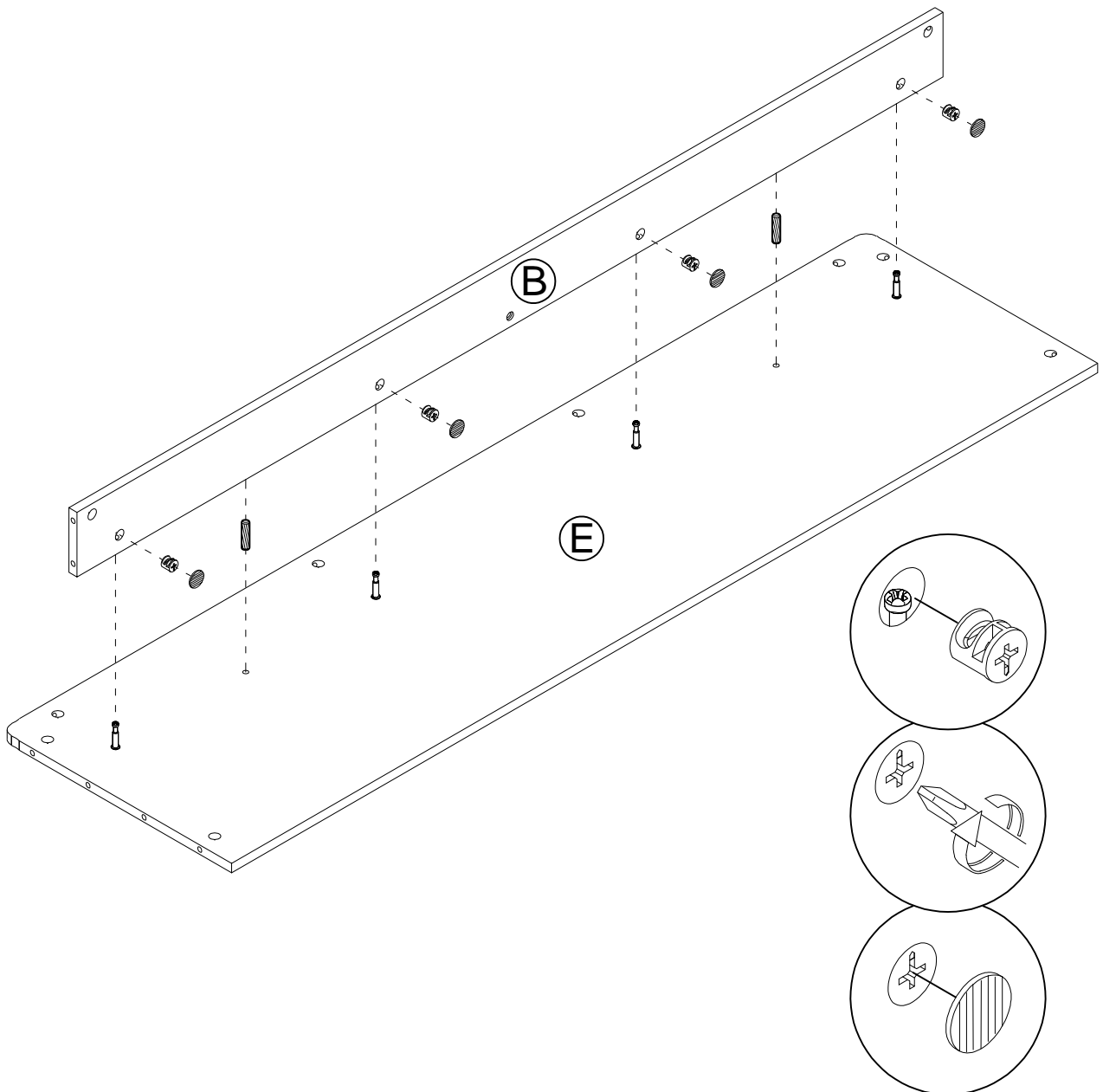
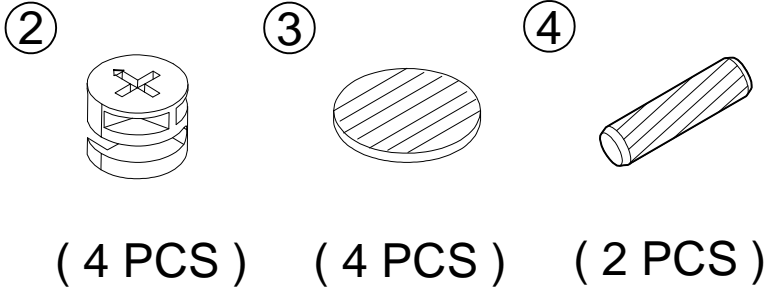
Step 2:

* Insert Eleven KD BOLT (1) to the TOP PANEL (A) and BACK PANEL (E).



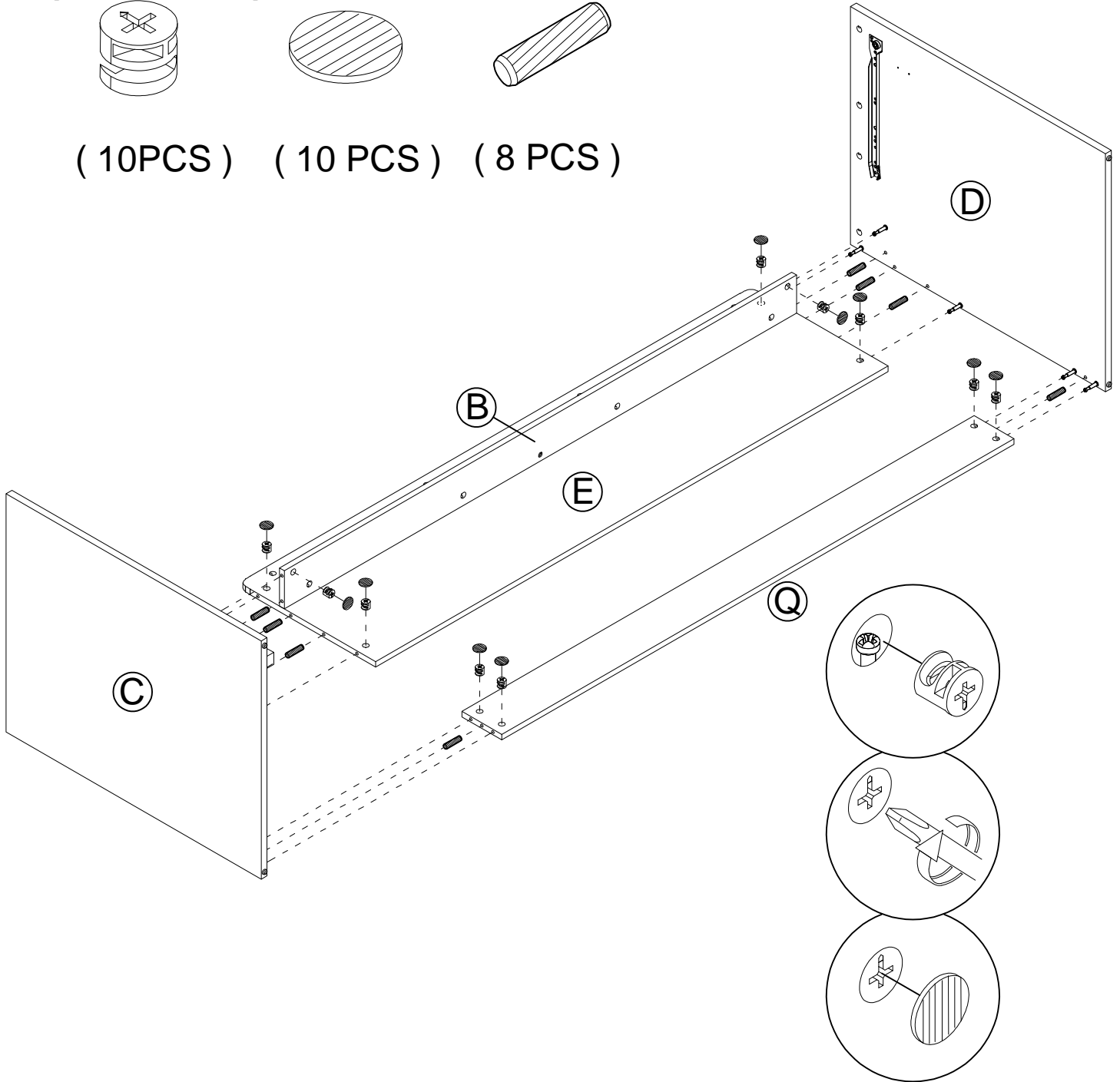
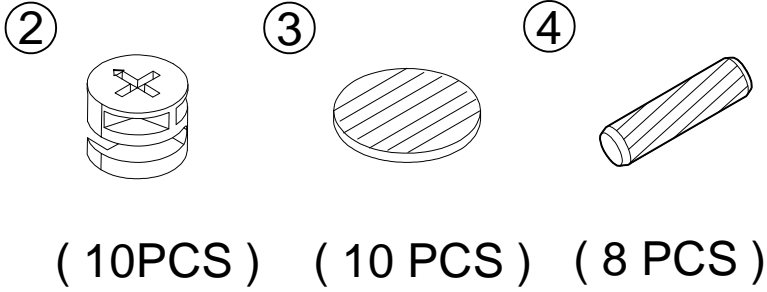
Step 3:

* Attach the BACK HORIZONTAL PANEL (B) to the BACK UPPER PANEL (E) by the Four KD LARGE CAM (2) , Four COVER CAP (3) and Two WOOD DOWEL (4) .



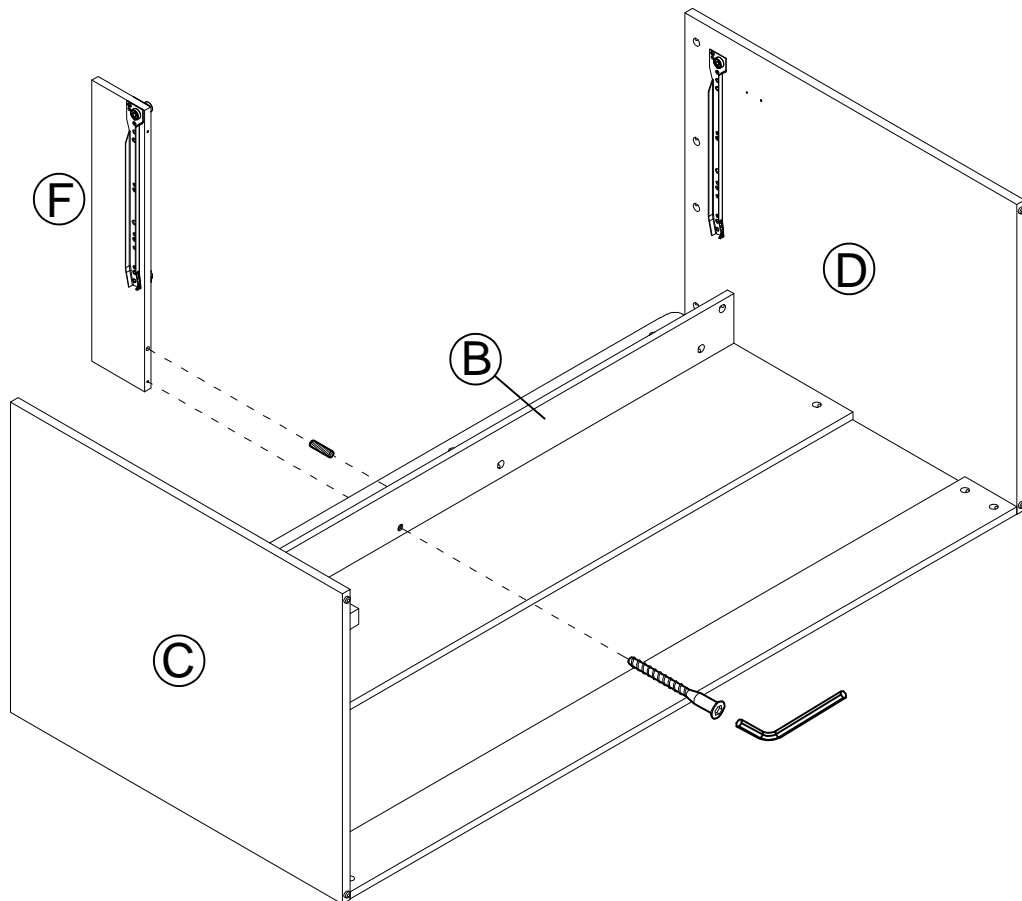
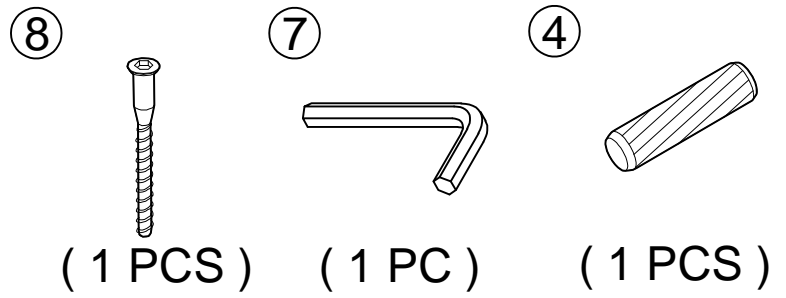
Step 4:

* Attach the BACK HORIZONTAL PANEL (B), BACK LOWER PANEL (Q) and BACK UPPER PANEL (E) to the LEFT PANEL (C) and RIGHT PANEL (D) by the Ten KD LARGE CAM (2) , Ten COVER CAP (3) and Eight WOOD DOWEL (4) .



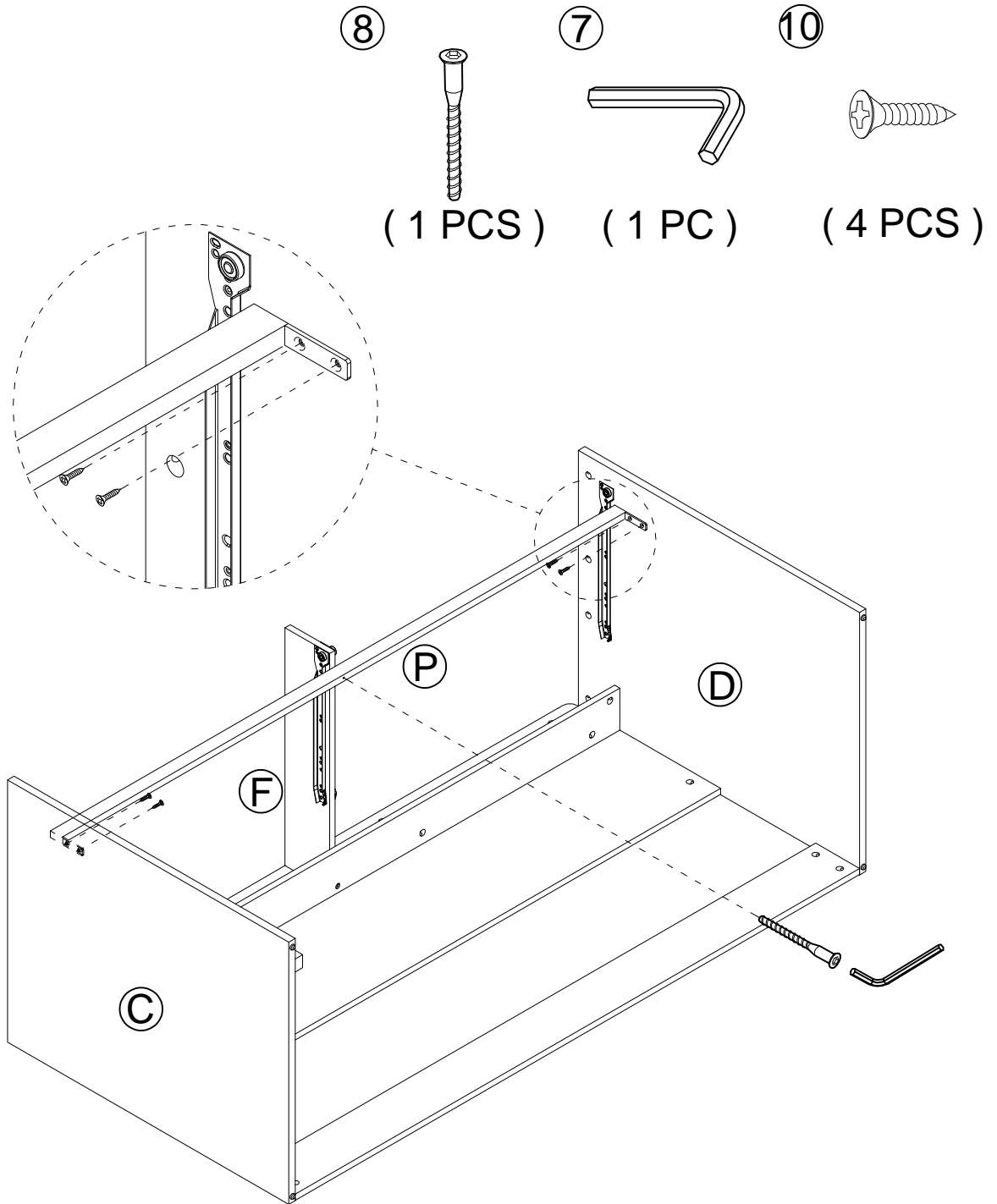
Step 5:

* Attach the BETWEEN PANEL(F) to the BACK HORIZONTAL PANEL (B) by the One Screw(8), One WOOD DOWEL (4) and LOCK(7).



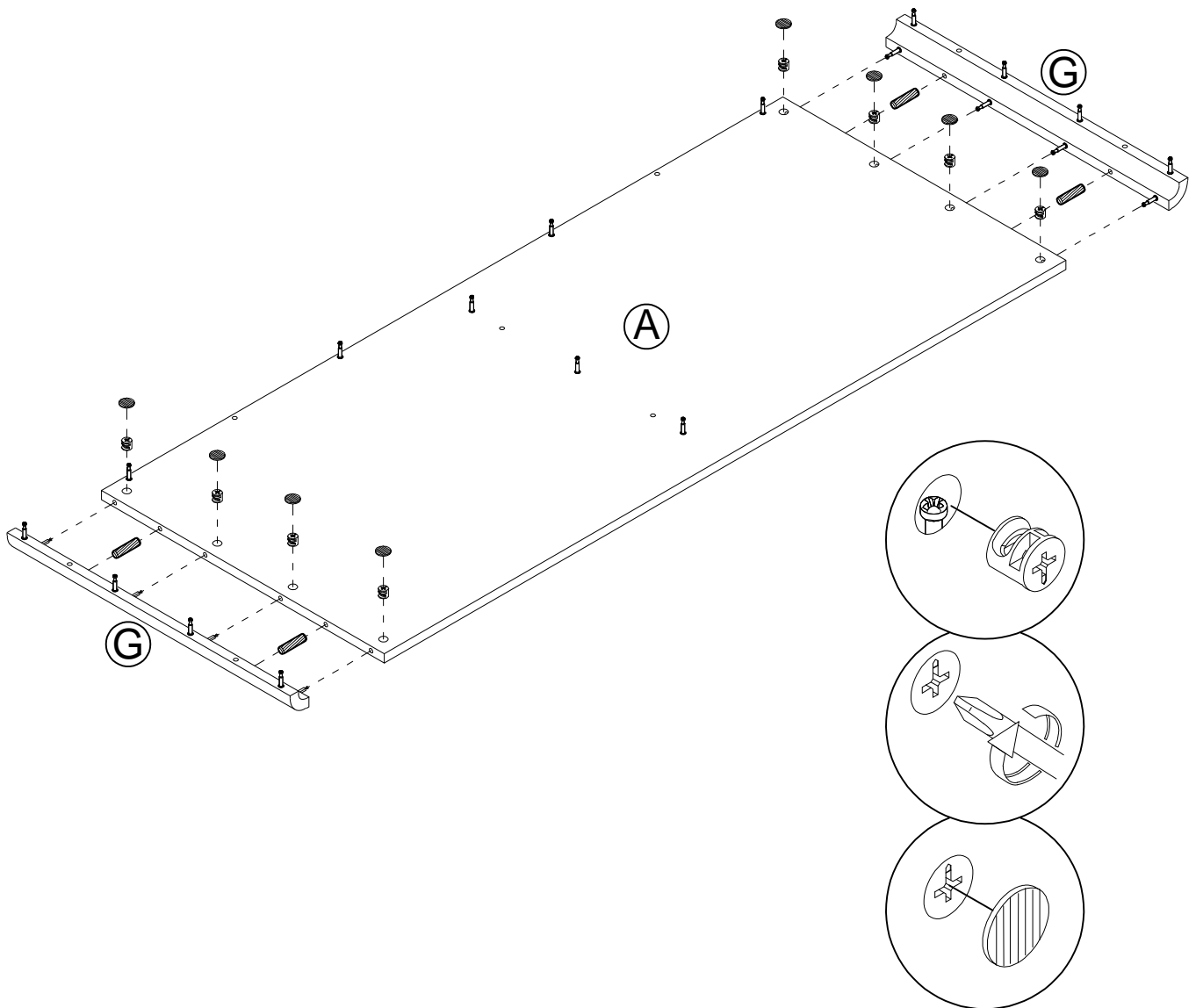
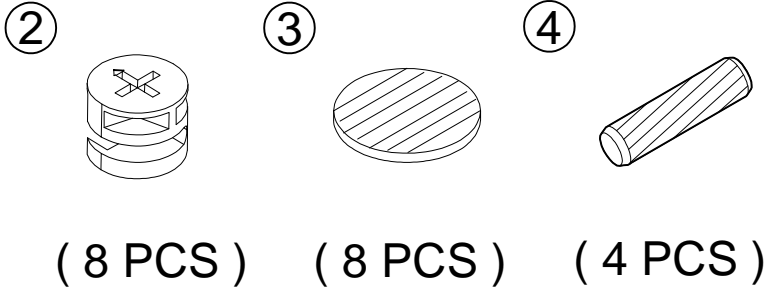
Step 6:

* Attach the METAL BAR (P) to the BETWEEN PANEL(F), LEFT PANEL (C) and RIGHT PANEL (D) by the One Screw(8), LOCK(7) and Four Screw(10).



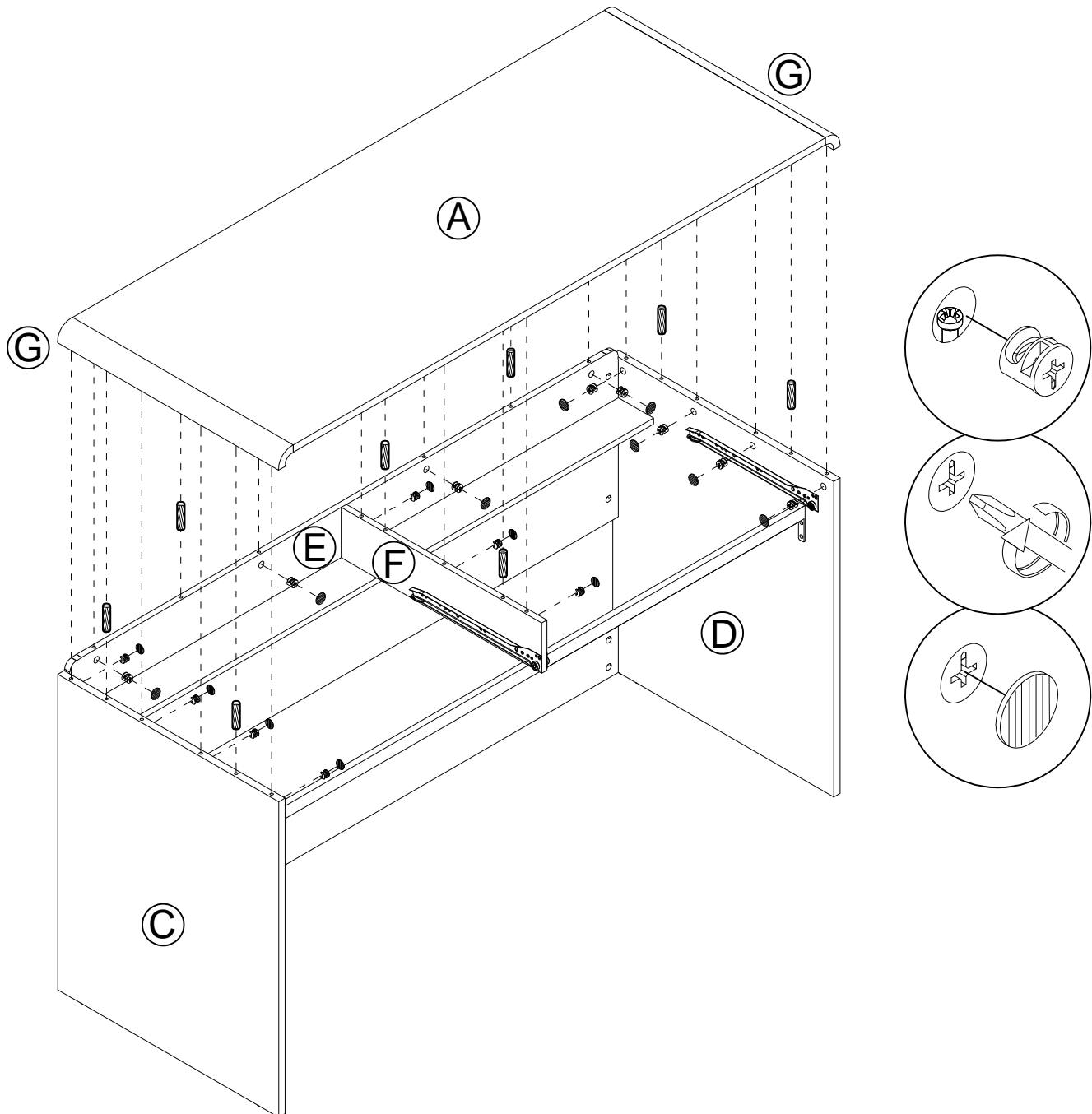
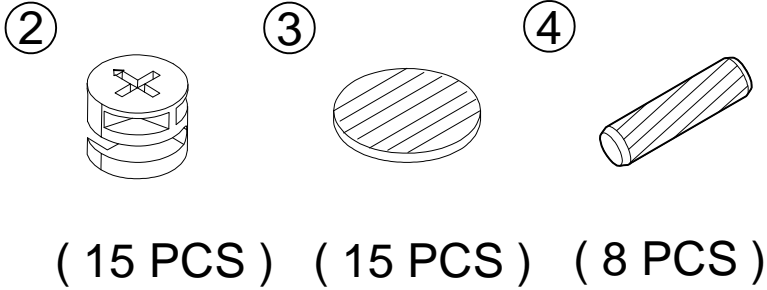
Step 7:

* Attach the TOP PANEL (A) to the Two the CURVED BAR (G) by the Eight KD LARGE CAM (2) , Eight COVER CAP (3) and Four WOOD DOWEL (4) .



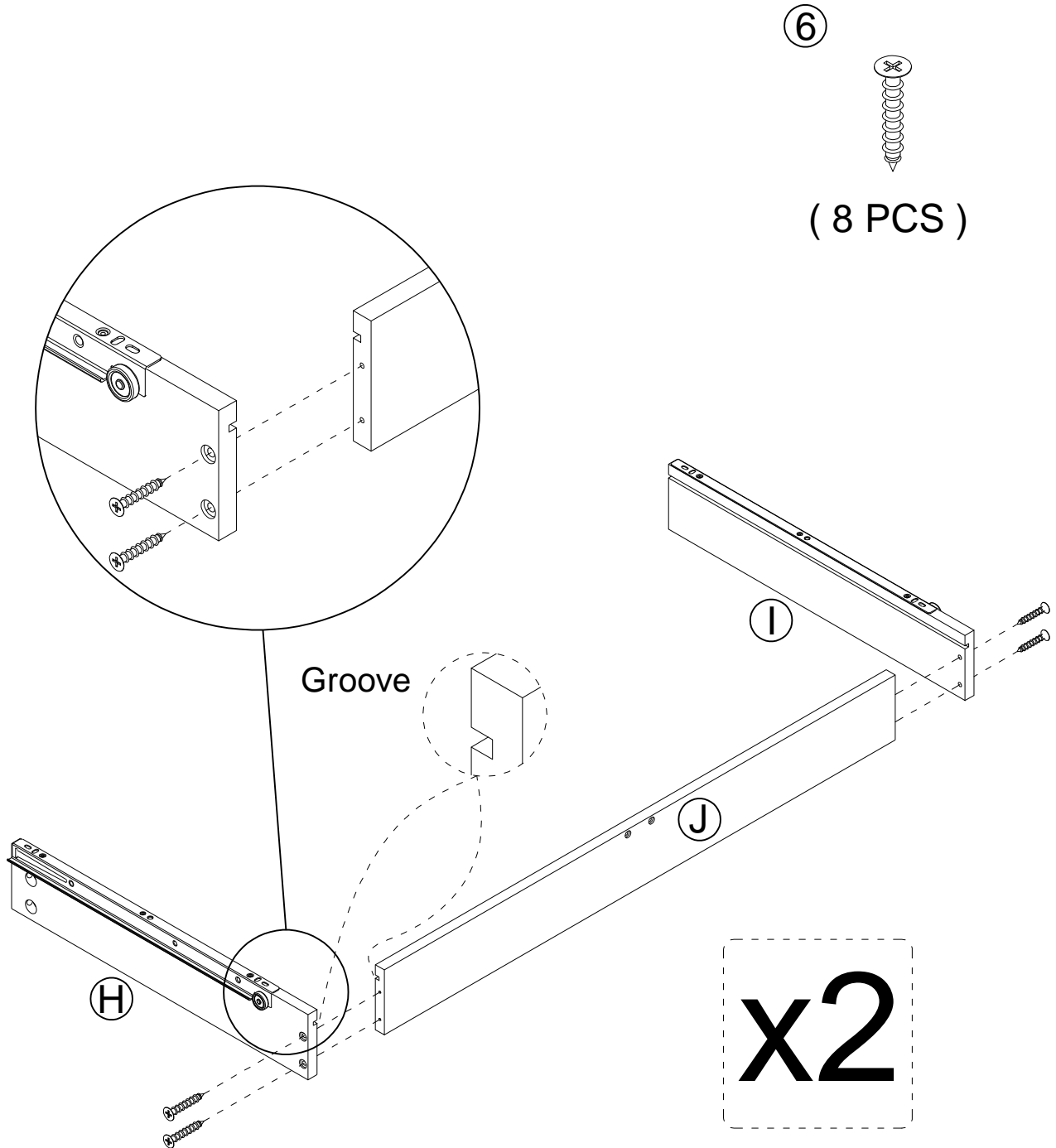
Step 8:

* Attach Two the CURVED BAR (G) and TOP PANEL(A) to the LEFT PANEL (C), BACK UPPER PANEL (E), BETWEEN PANEL(F) and RIGHT PANEL (D) by the Fifteen KD LARGE CAM (2) , Fifteen COVER CAP (3) and Eight WOOD DOWEL (4) .



Step 9:

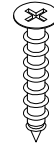
* Assemble the DRAWER BACK PANEL (J) to the DRAWER LEFT PANEL (H) and DRAWER RIGHT PANEL (I) by the SCREW (6) .



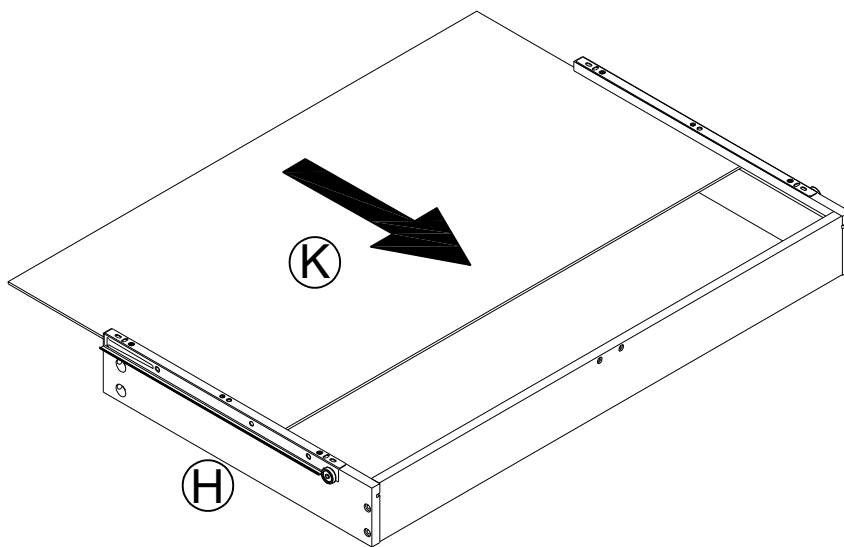
Step 10:

- * Slide in the DRAWER BOTTOM PANEL (K).
- * Assemble the DRAWER SUPPORT PANEL (L) to the DRAWER TRAY by the SCREW (6) .

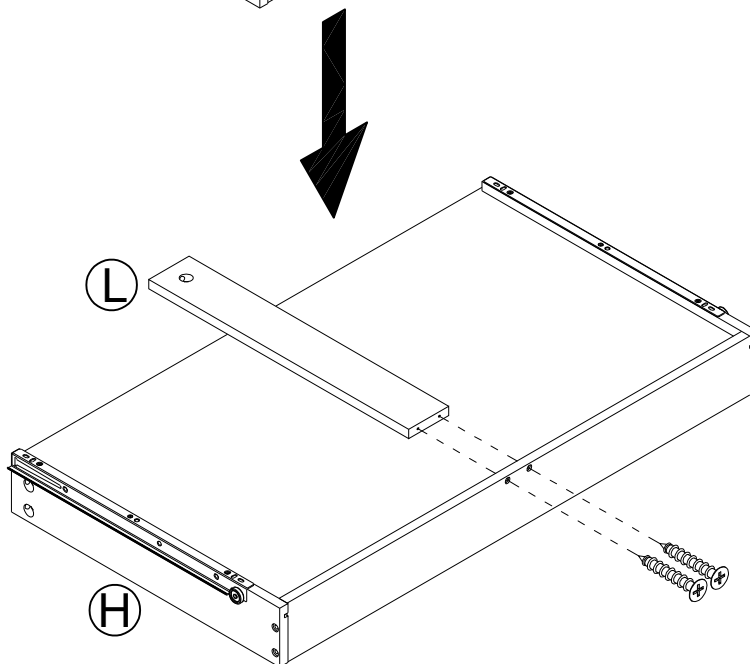
⑥



(4 PCS)



x2



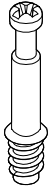
x2

Step 11:

* Insert Ten KD BOLT (1) to the DRAWER LEFT FRONT PANEL (M) and DRAWER RIGHT FRONT PANEL (O).

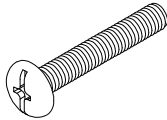
* Assemble Two the HANDLE (N) to the DRAWER LEFT FRONT PANEL (M) and DRAWER RIGHT FRONT PANEL (O) by the BOLT (9).

①

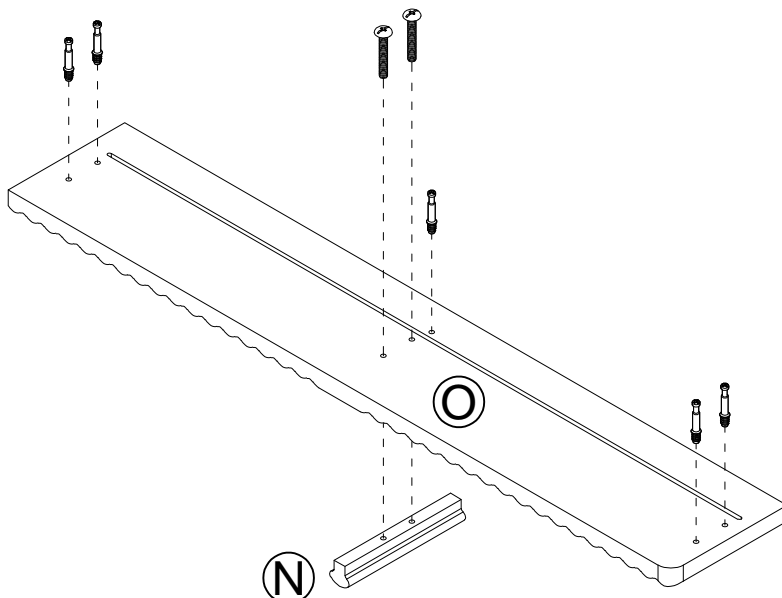
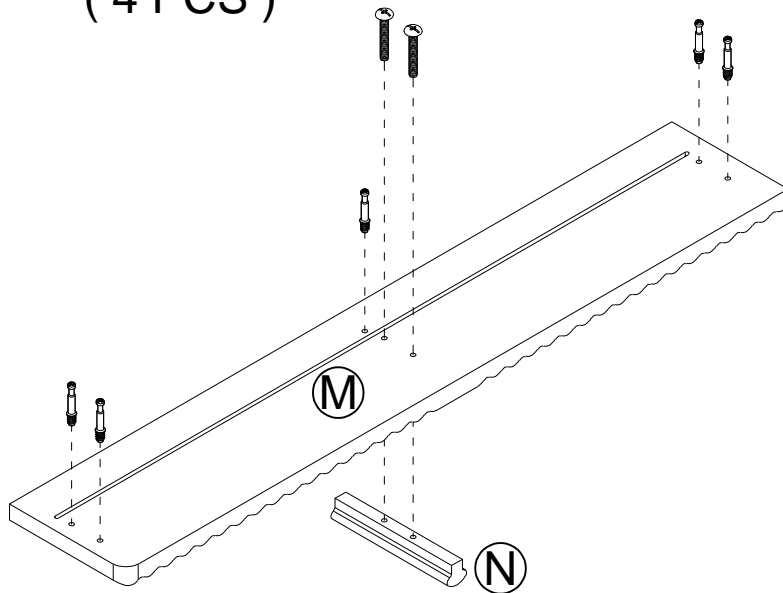


(10 PCS)

⑨



(4 PCS)



Step 12:

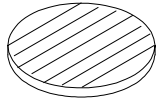
* Assemble the DRAWER LEFT FRONT PANEL (M) and DRAWER RIGHT FRONT PANEL (O) to the DRAWER TRAY by the Ten KD SMALL CAM (5) and Ten COVER CAP (3).

⑤

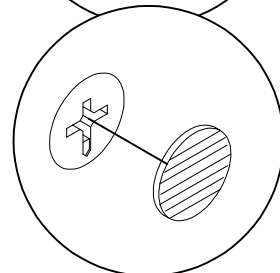
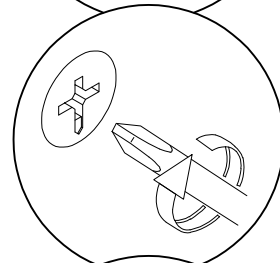
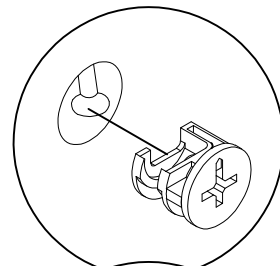
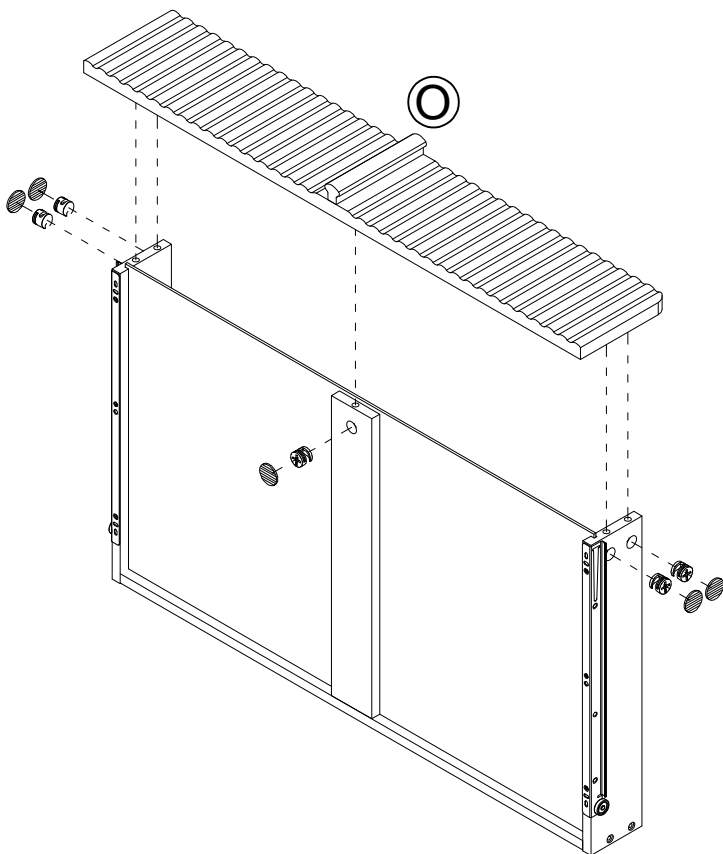
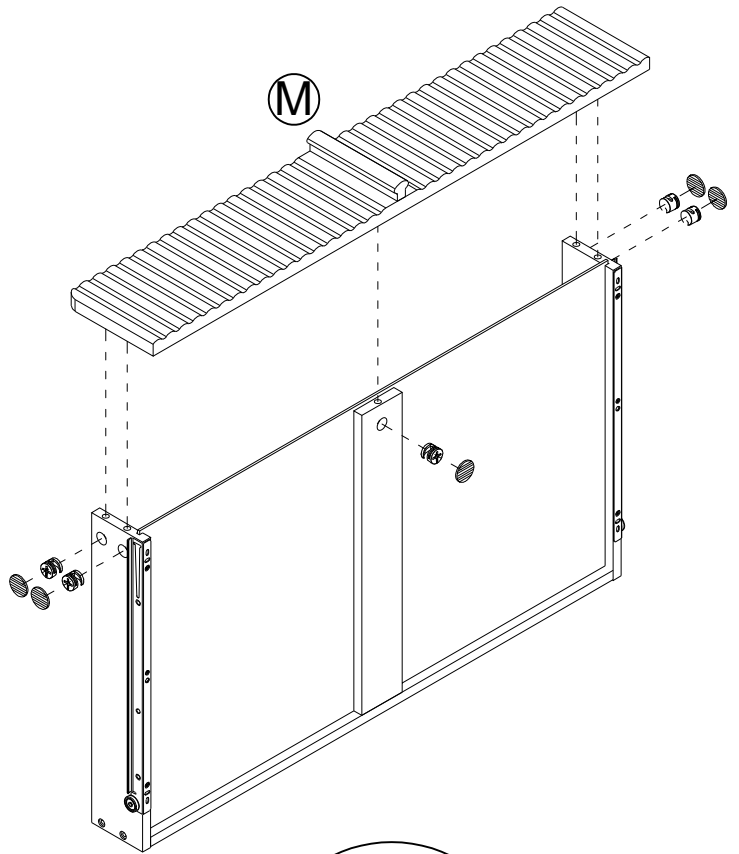


(10 PCS)

③

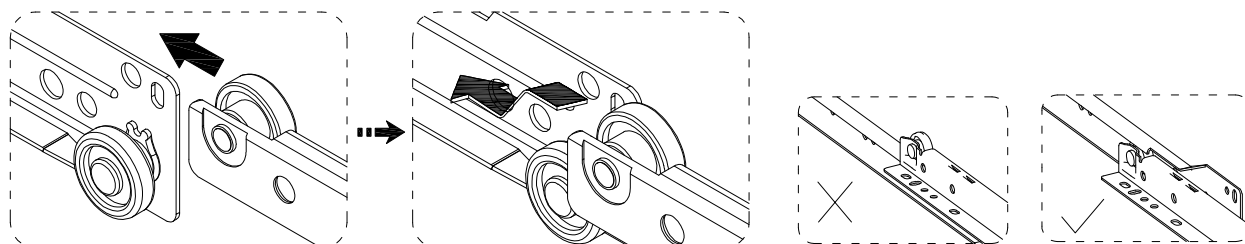
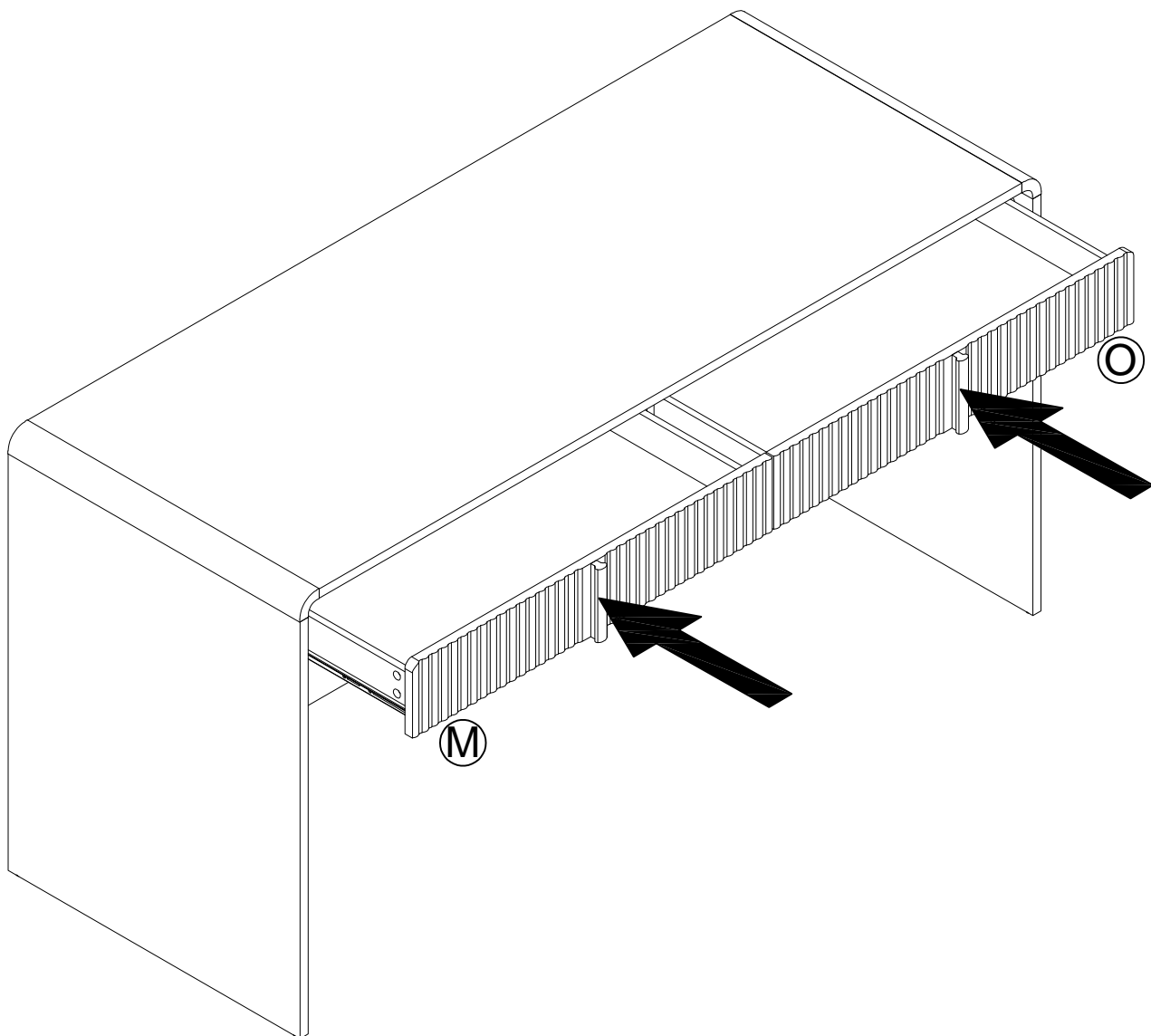


(10 PCS)



Step 13:

*Input Drawer tray to the stand.





WARRANTY POLICY

All Manhattan Comfort furniture products are warranted, to the original purchaser at the time of purchase and for a period of 30 days thereafter.

Our warranty is limited to new products purchased in factory sealed cartons. This warranty is valid in the United States of America and Canada.

In order to provide you with timely assistance, please thoroughly inspect your furniture for missing or defective parts immediately after opening the carton.

Manhattan Comfort offers a 30-day parts replacement warranty on all items.

Our furniture products are not intended for outdoor use.

THE WARRANTY DOES NOT COVER:

- Defects/damages by improper assembly or disassembly.
- Defects/damages caused by shipping. Claims for damage during transit should be placed immediately to the transportation company.
- Defects/damages caused by inappropriate use of the furniture.



319 Ridge Rd. Dayton, NJ 08810
908-888-0818