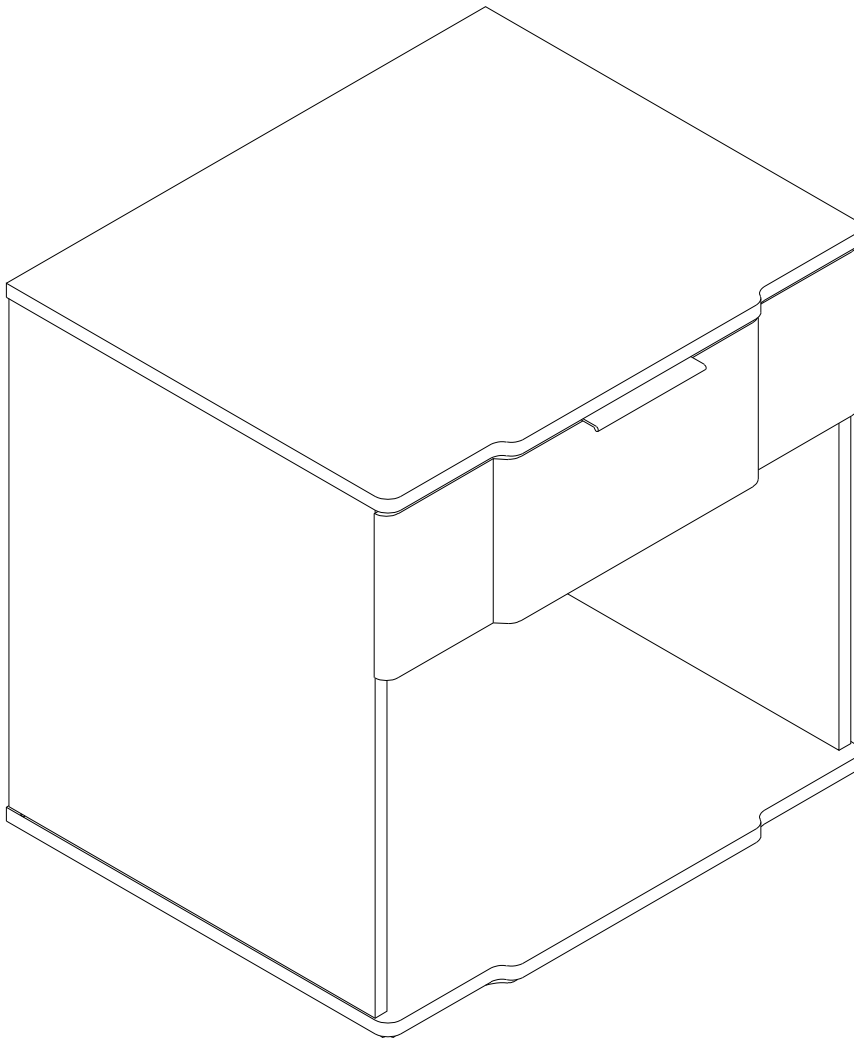


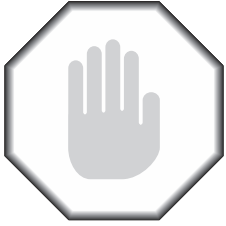


**MANHATTAN
COMFORT**

NS1561



V.08082025

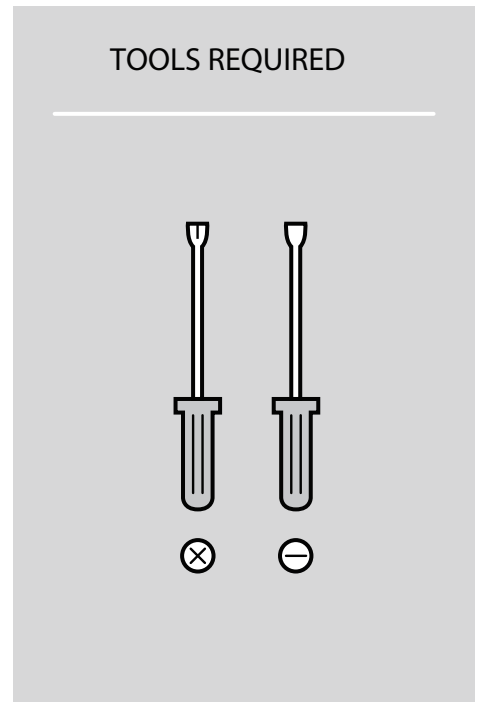
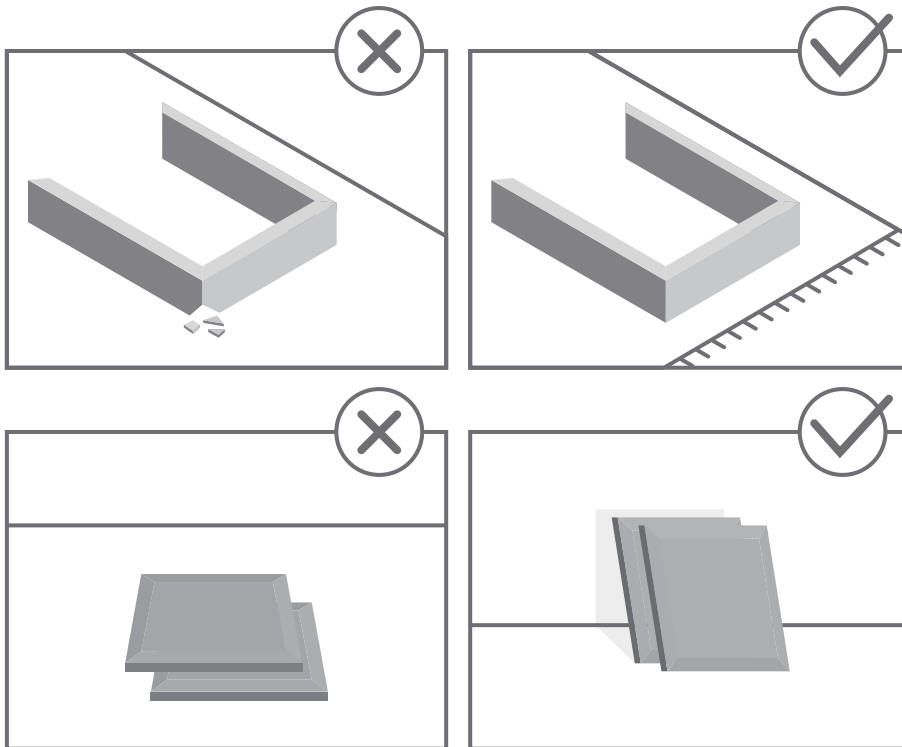


STOP!

Before beginning the assembly process, ensure all boxes and parts have been delivered.

FOR BEST RESULTS:

- Do not throw away packaging materials until assembly is complete.
- Assemble item on a soft surface, such as cardboard or carpet, to protect finish.
- Proper assembly requires two people.



View our assembly video online:
WWW.MANHATTANCOMFORT.COM



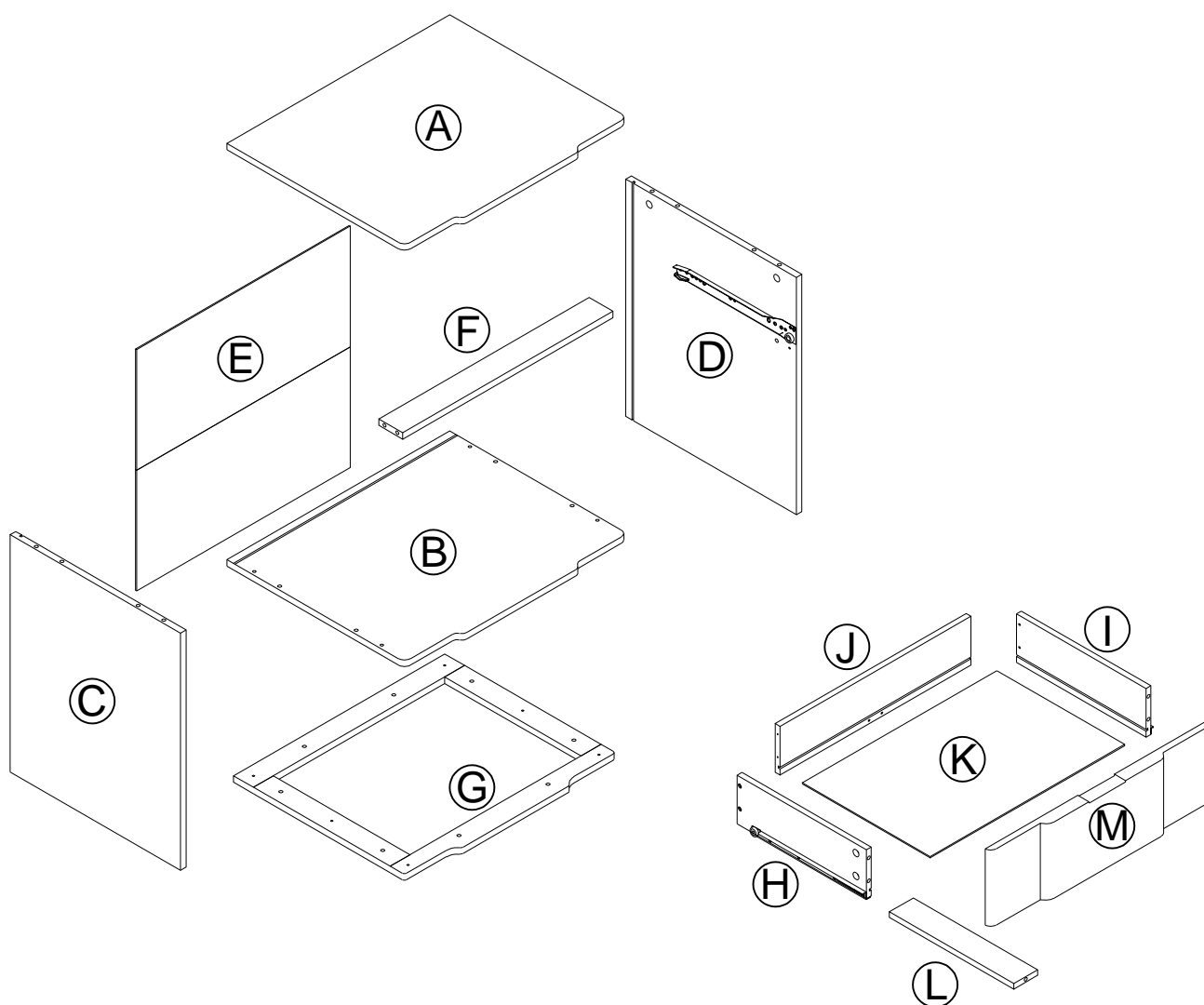
Stuck? Question? We are here to help.
tel: 908-888-0818
e-mail: help@manhattancomfort.com

Support Site



Included in this package:

- A. TOP PANEL(1)
- B. BOTTOM PANEL(1)
- C. LEFT PANEL (1)
- D. RIGHT PANEL (1)
- E. BACK PANEL (1)
- F. FRONT HORIZONTAL PANEL (1)
- G. BOTTOM BASE PANEL (1)
- H. DRAWER LEFT PANEL (1)
- I. DRAWER RIGHT PANEL (1)
- J. DRAWER BACK PANEL (1)
- K. DRAWER BOTTOM PANEL (1)
- L. DRAWER SUPPORT PANEL (1)
- M. DRAWER FRONT PANEL (1)

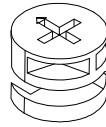


Hardware Identification

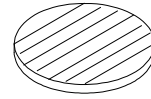
① KD BOLT - 11pcs
L=35mm



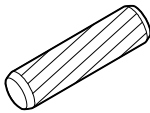
② KD LARGE CAM - 6pcs
Ø15*11mm



③ COVER CAP - 11pcs



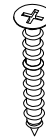
④ LARGE WOOD DOWEL-10pcs
Ø8*30mm



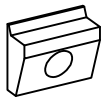
⑤ KD SMALL CAM - 5pcs
Ø15*9mm



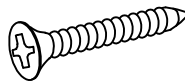
⑥ SCREW - 6pcs
Ø4*38mm



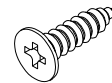
⑦ PLASTIC WEDGE - 8pcs



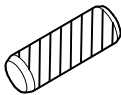
⑧ SCREW - 8pcs
Ø3*17mm



⑨ SCREW - 6pcs
Ø4*20mm



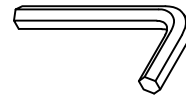
⑩ SMALL WOOD DOWEL - 8pcs
Ø8*20mm



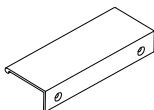
⑪ SCREW - 4pcs
Ø6*50mm



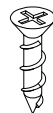
⑫ LOCK - 1pc



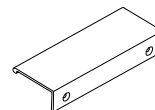
⑬ BLACK HANDLE - 1pc

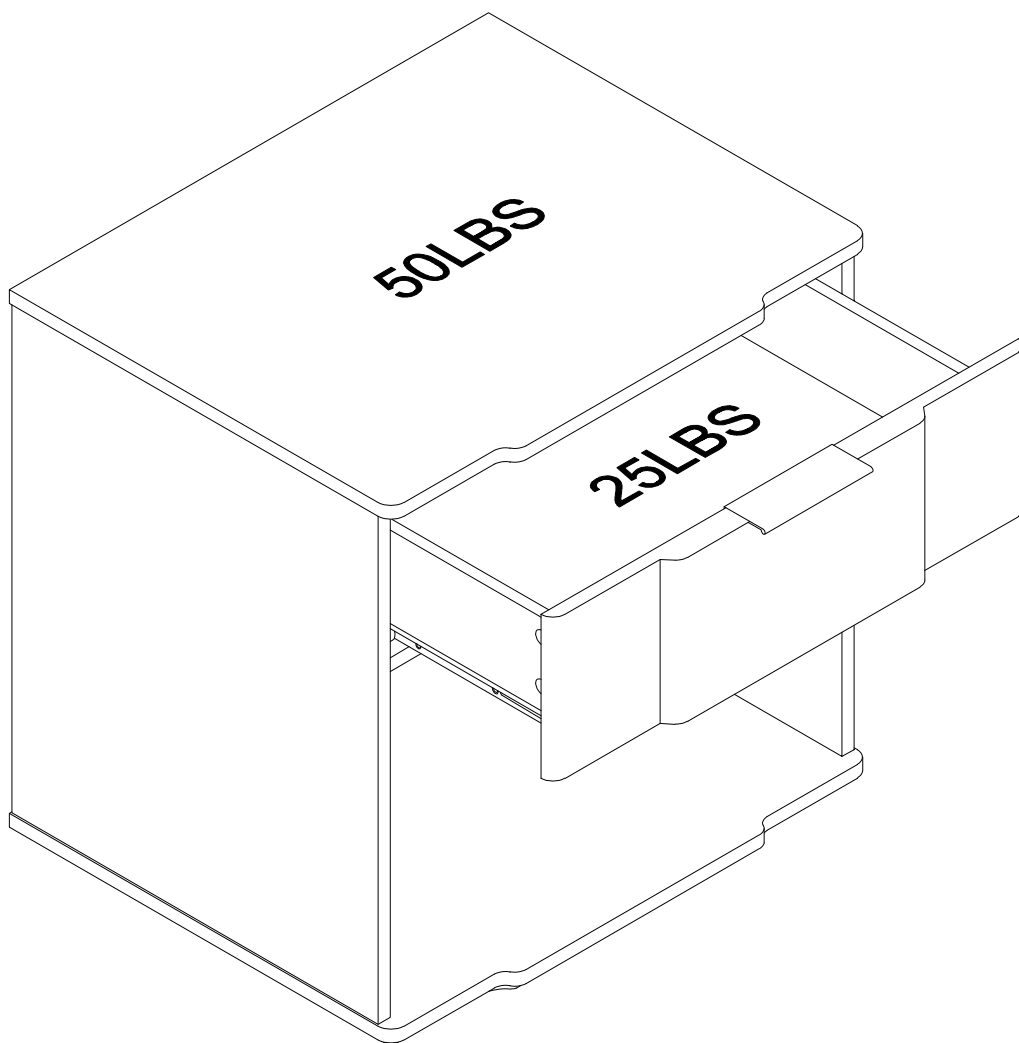


⑭ SCREW - 2pcs
Ø3.5*12mm



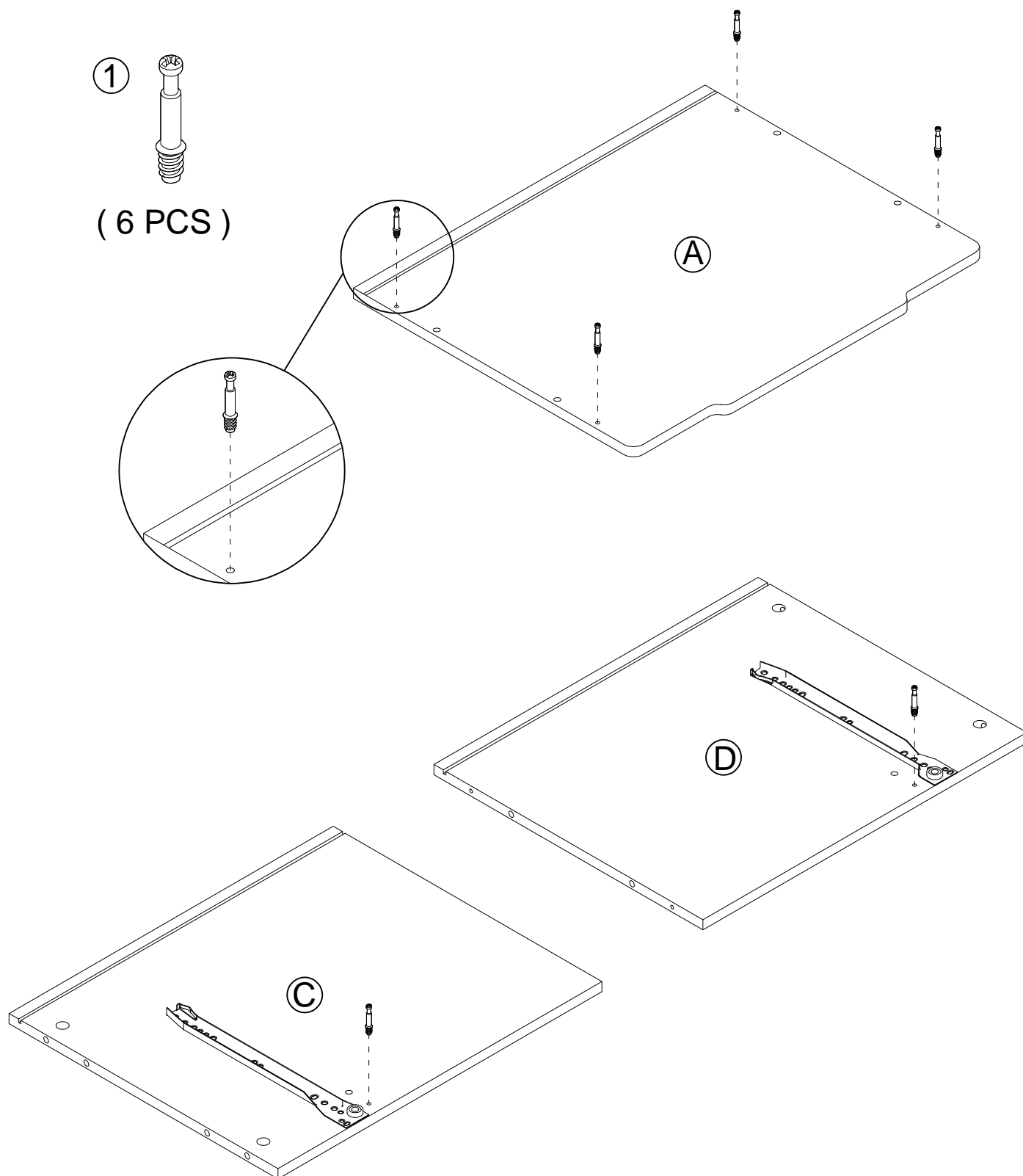
⑮ GOLD HANDLE - 1pc





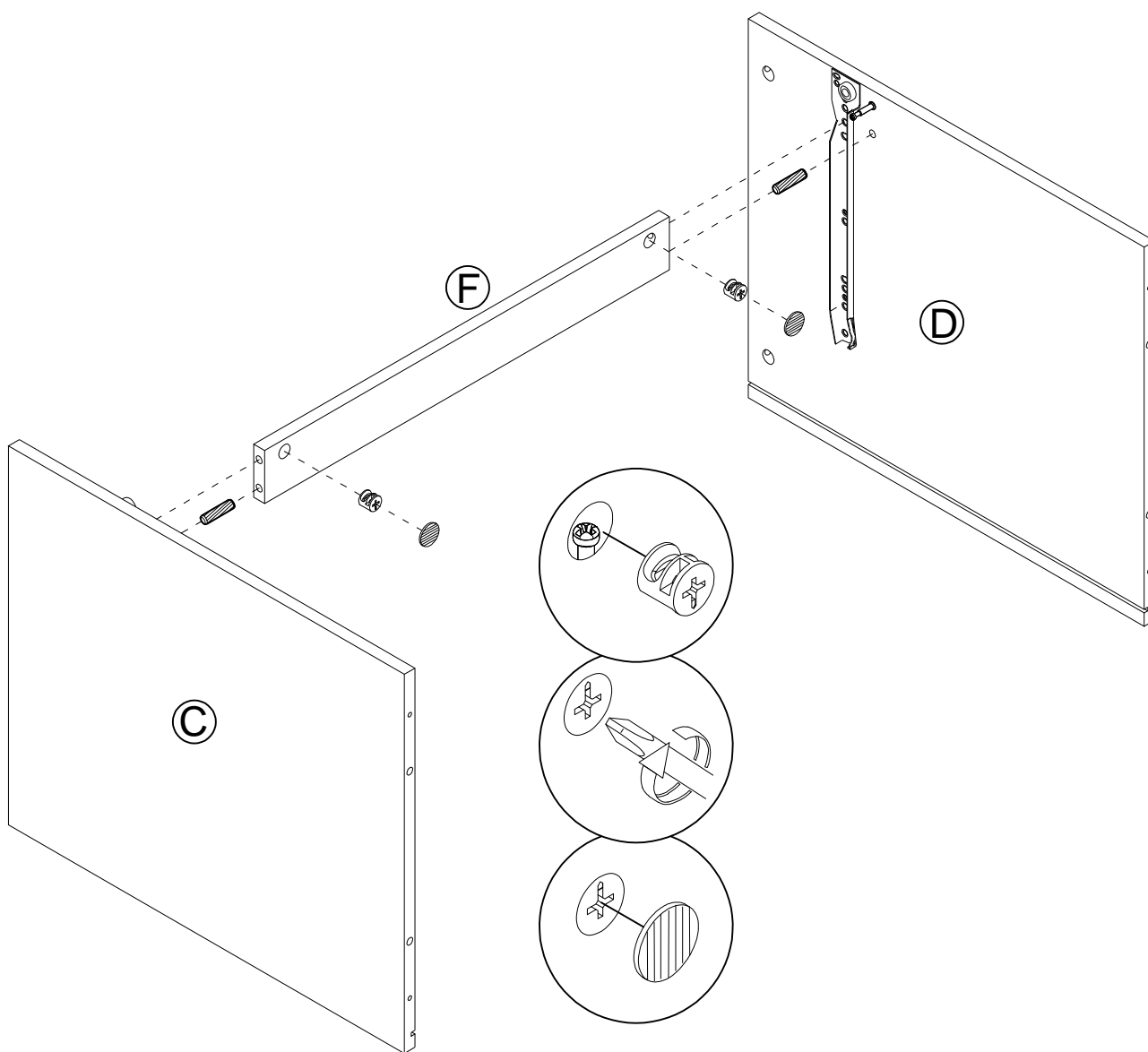
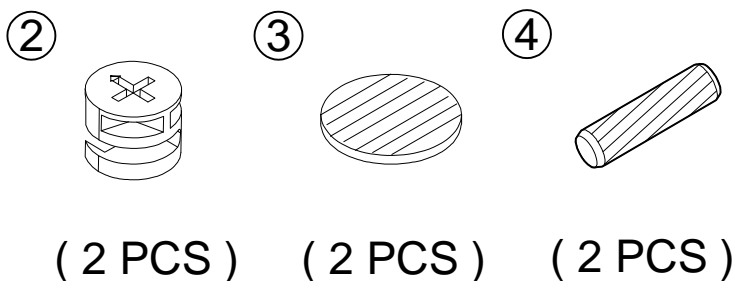
Step 1:

* Insert Six KD BOLT (1) to the TOP PANEL (A), LEFT PANEL (C) and RIGHT PANEL(D).



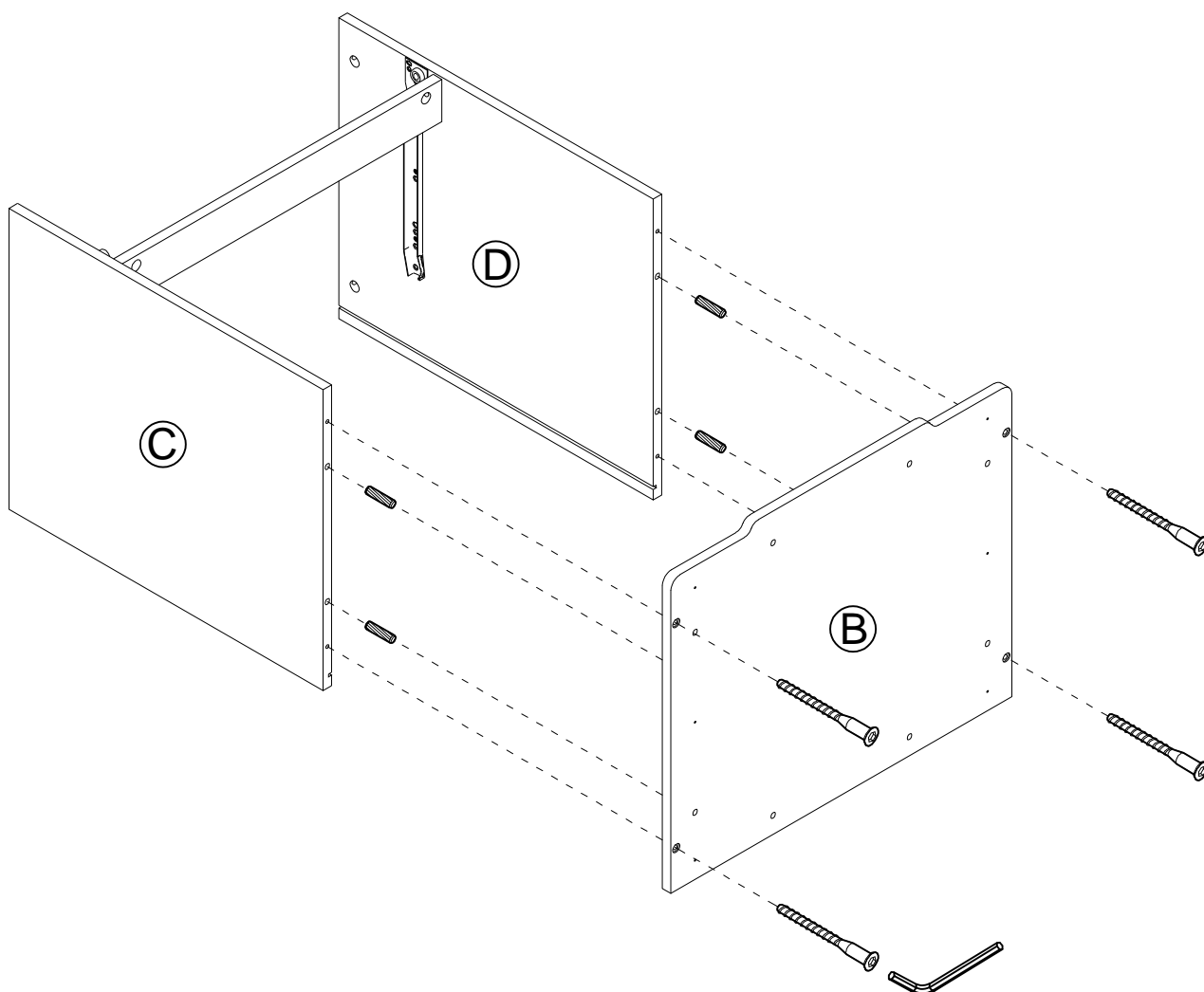
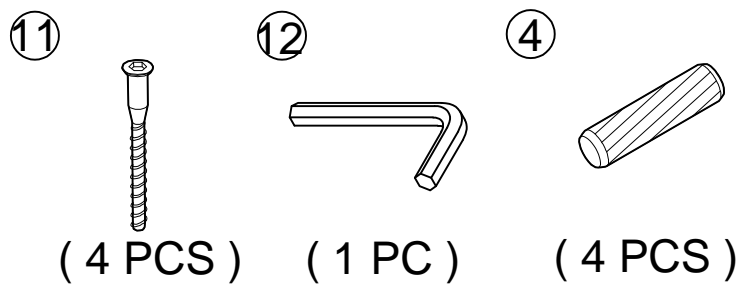
Step 2:

* Attach the FRONT HORIZONTAL PANEL (F) to the LEFT PANEL (C) and RIGHT PANEL (D) by the Two KD LARGE CAM (2) , Two COVER CAP (3) and Two LARGE WOOD DOWEL (4) .



Step 3:

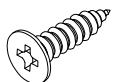
* Attach the BOTTOM PANEL(B) to the LEFT PANEL (C) and RIGHT PANEL(D) by the Four Screw(11), Four LARGE WOOD DOWEL (4) and LOCK(12).



Step 4:

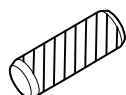
* Attach the BOTTOM BASE PANEL (G) to the BOTTOM PANEL (B) by the Six Screw(9) and Eight SMALL WOOD DOWEL(10) .

⑨

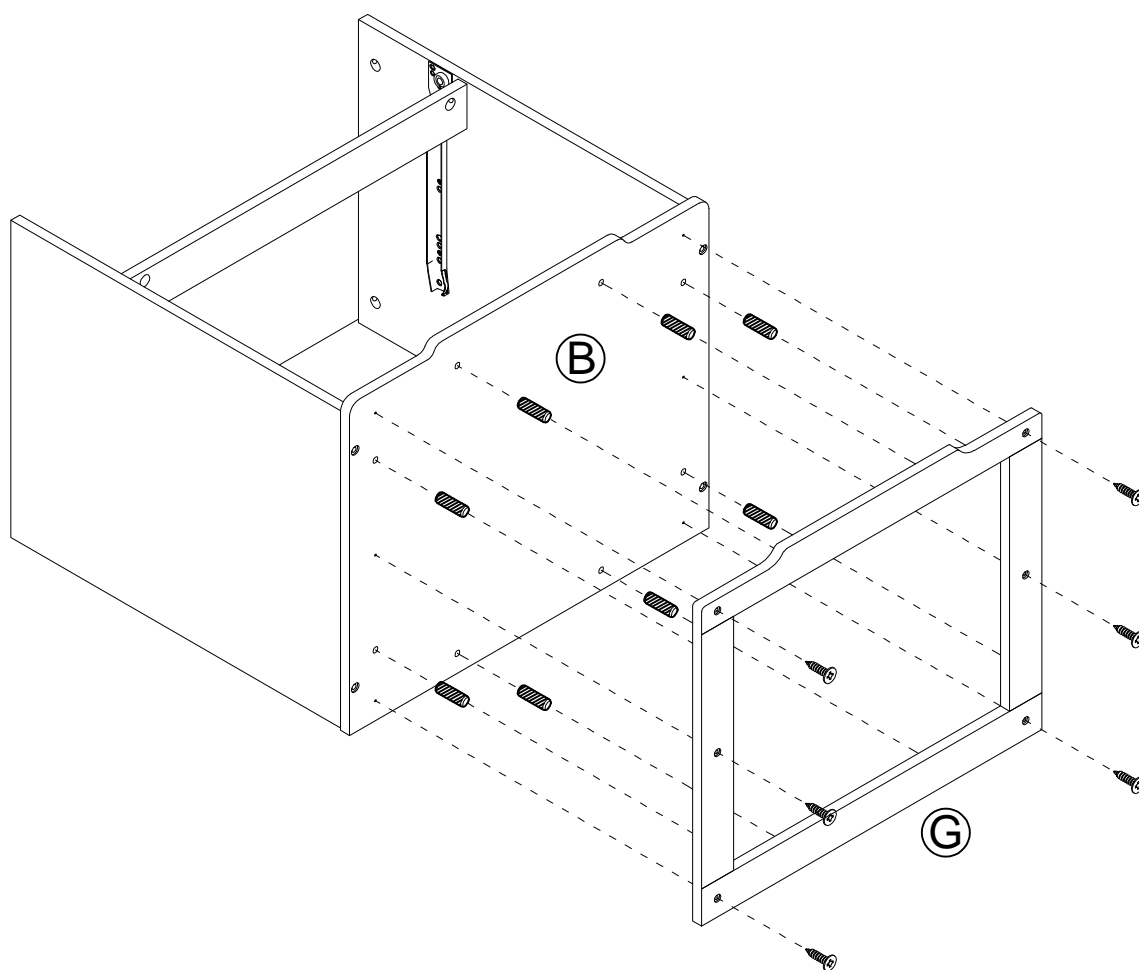


(6 PCS)

⑩

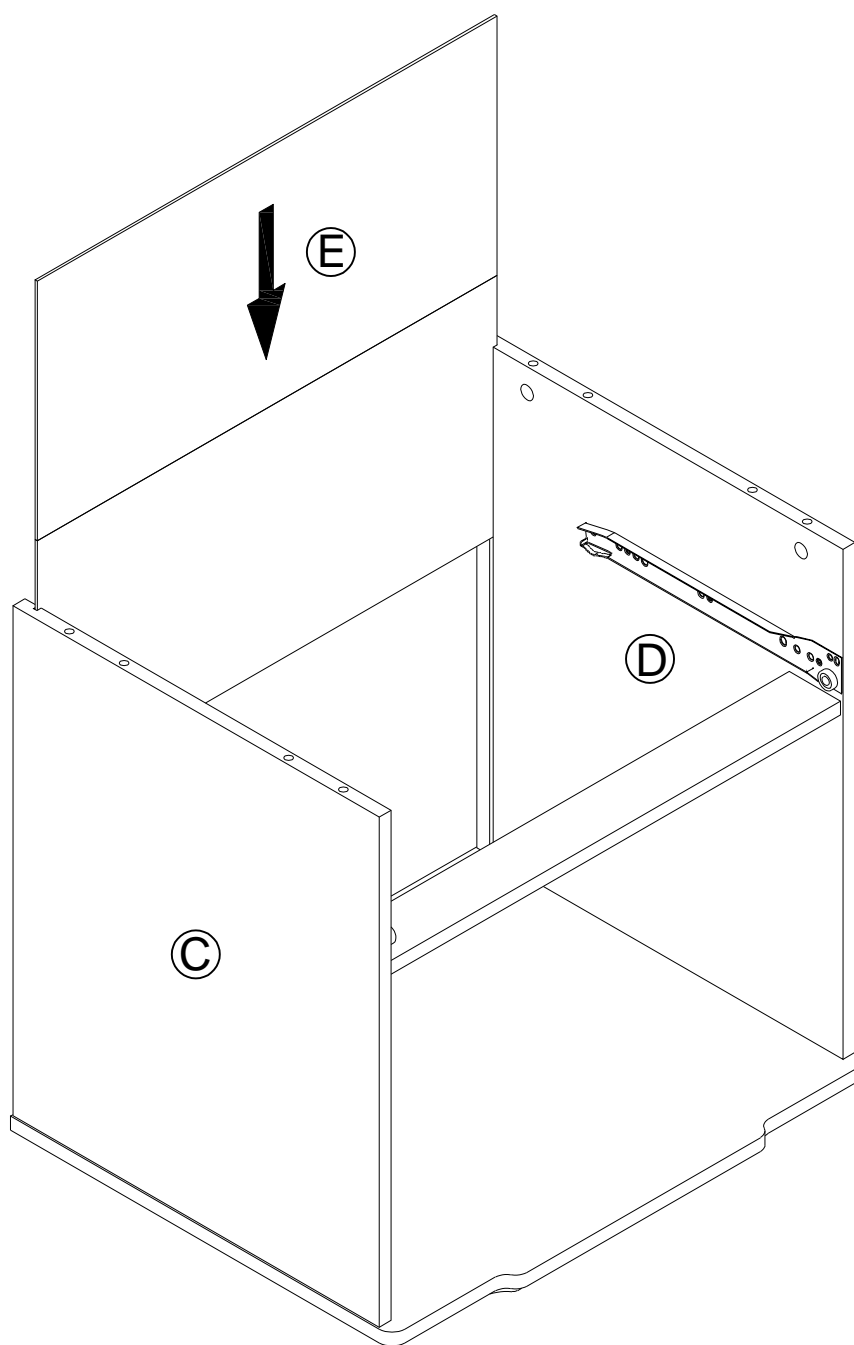


(8 PCS)



Step 5:

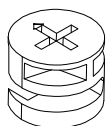
* Insert the BACK PANEL (E) to the stand.



Step 6:

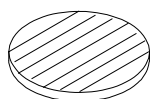
* Attach the TOP PANEL(A) to the LEFT PANEL(C) and RIGHT PANEL(D) by the Four KD LARGE CAM (2) , Four COVER CAP (3) and Four LARGE WOOD DOWEL (4) .

②



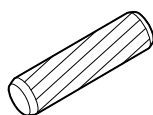
(4 PCS)

③

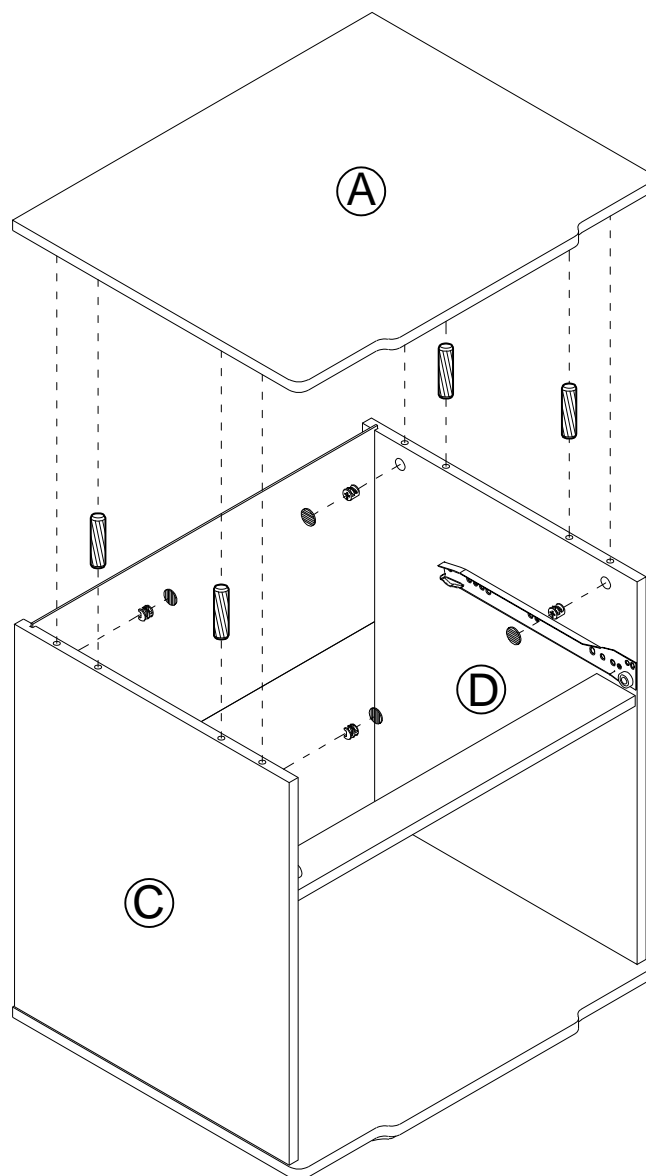


(4 PCS)

④



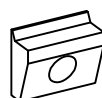
(4 PCS)



Step 7:

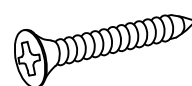
* Insert Eight PLASTIC WEDGE(7) and Eight SCREW(8) to the BACK PANEL (E).

⑦

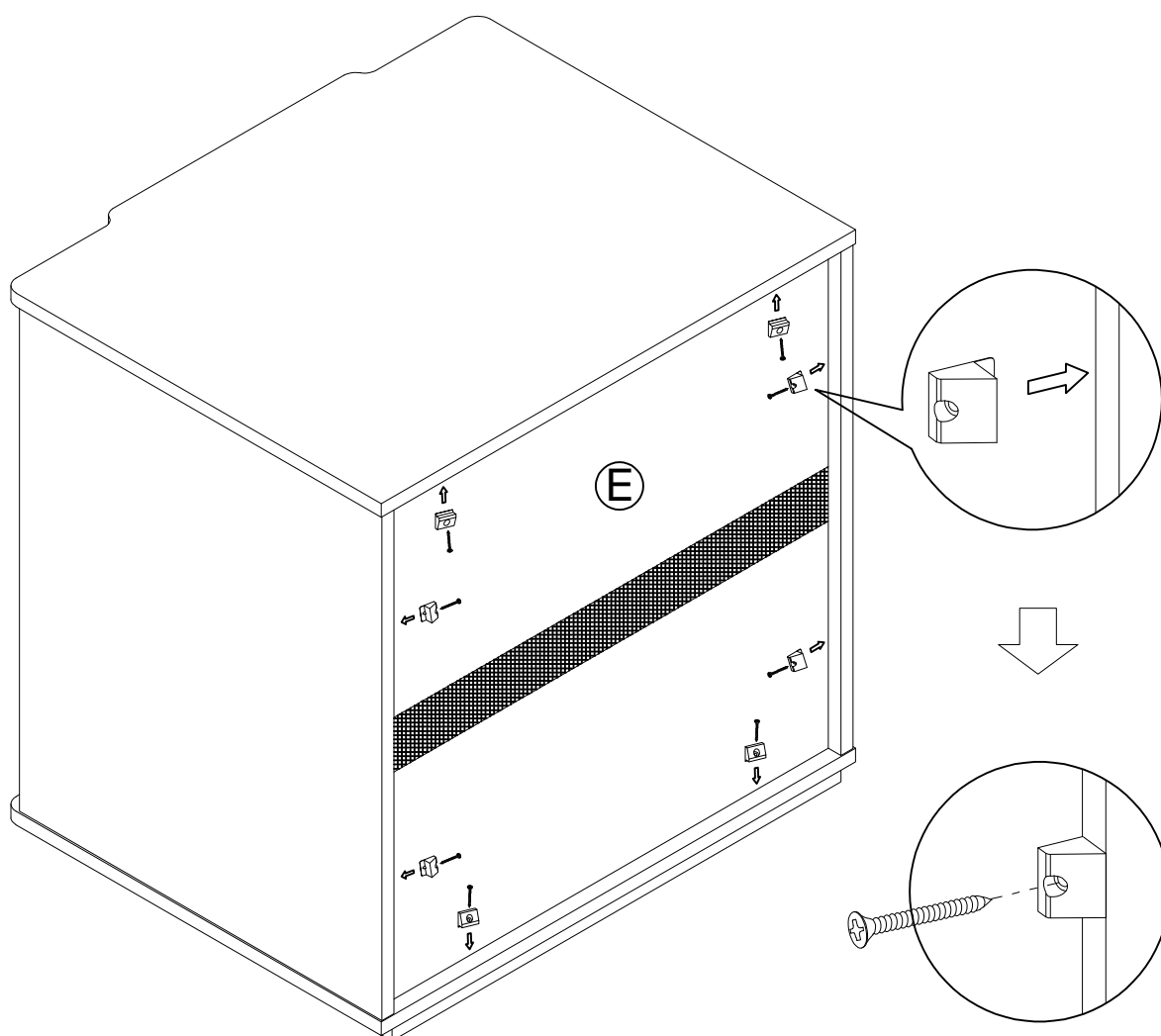


(8 PCS)

⑧

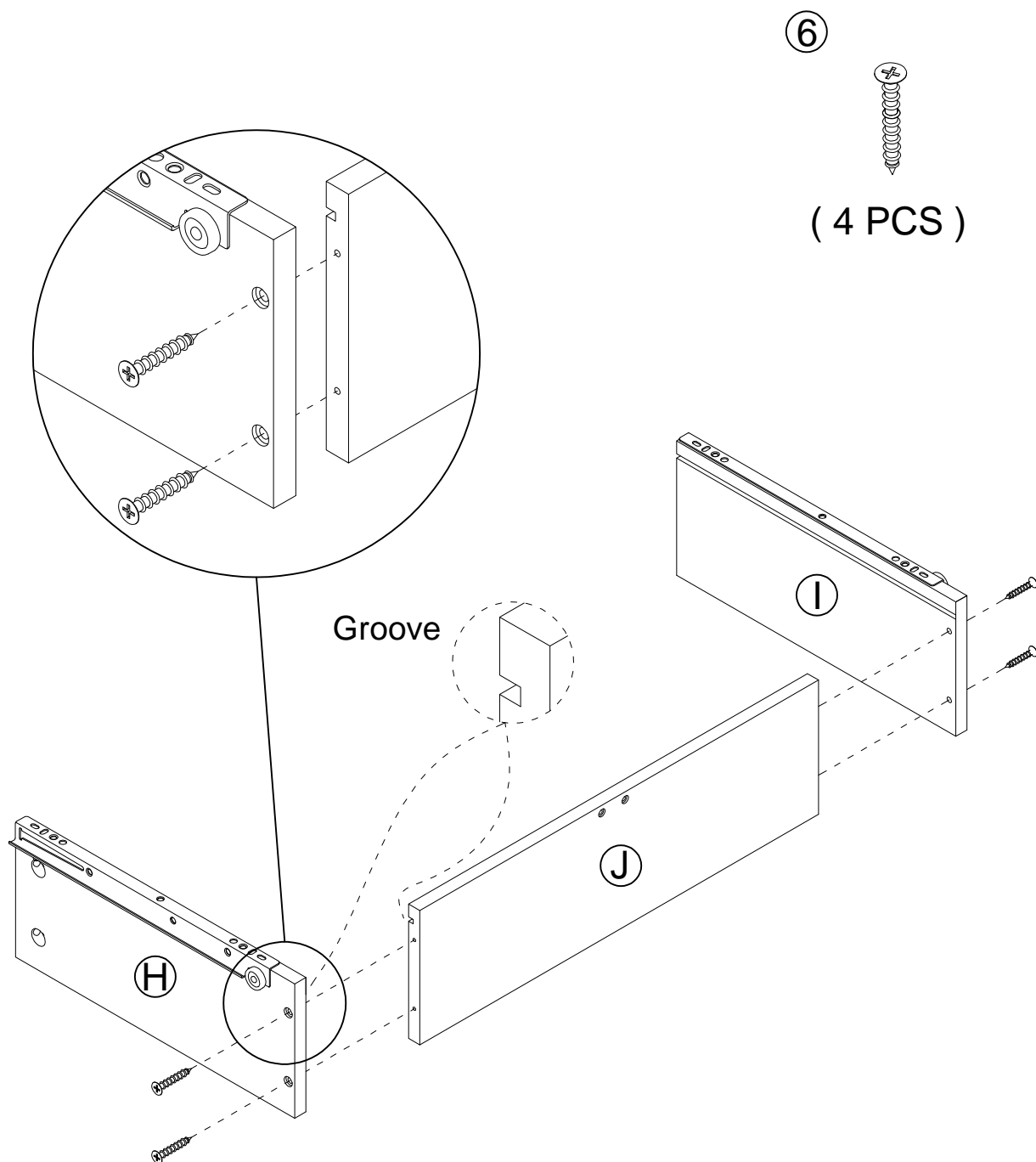


(8 PCS)



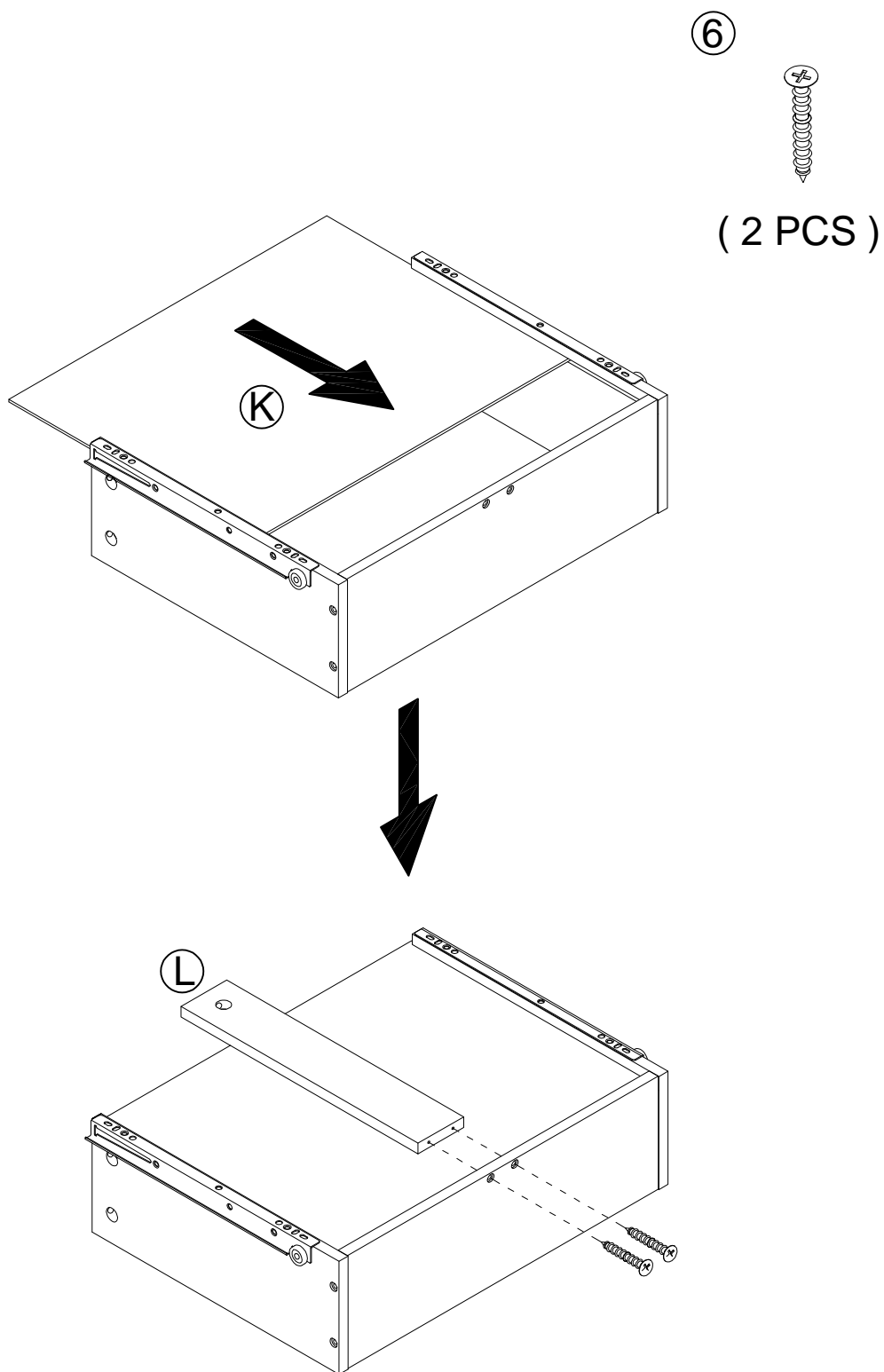
Step 8:

* Assemble the DRAWER BACK PANEL(J) to the DRAWER LEFT PANEL (H) and DRAWER RIGHT PANEL (I) by the SCREW (6) .



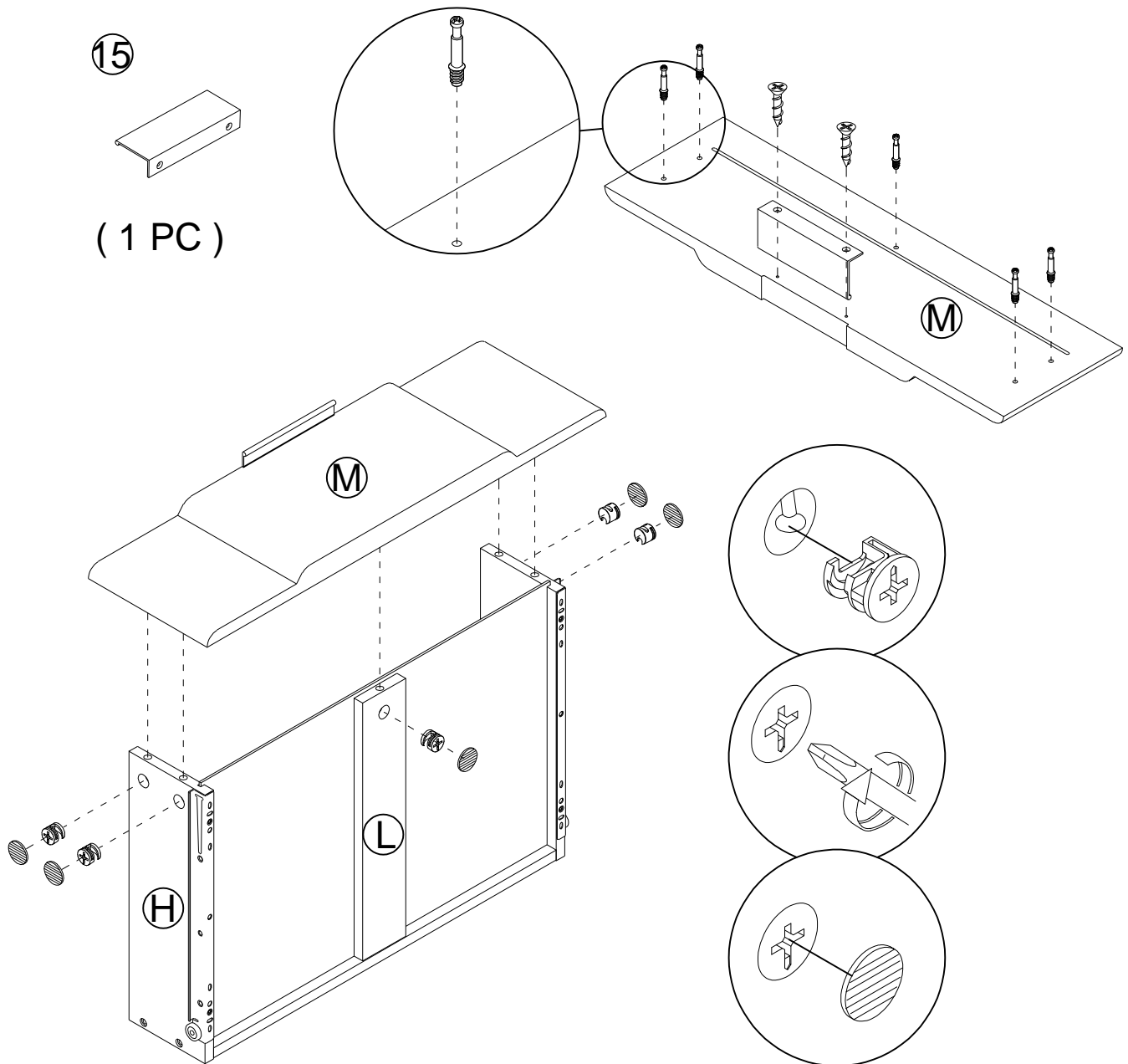
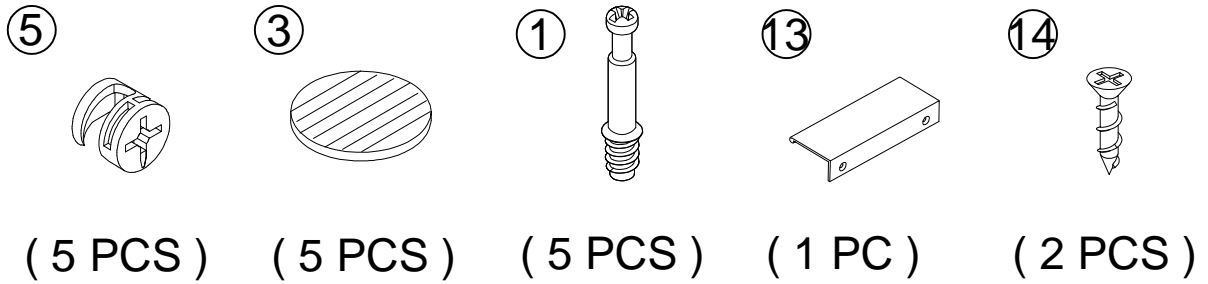
Step 9:

- * Slide in the DRAWER BOTTOM PANEL (K).
- * Assemble the DRAWER SUPPORT PANEL (L) to the DRAWER TRAY by the SCREW (6) .



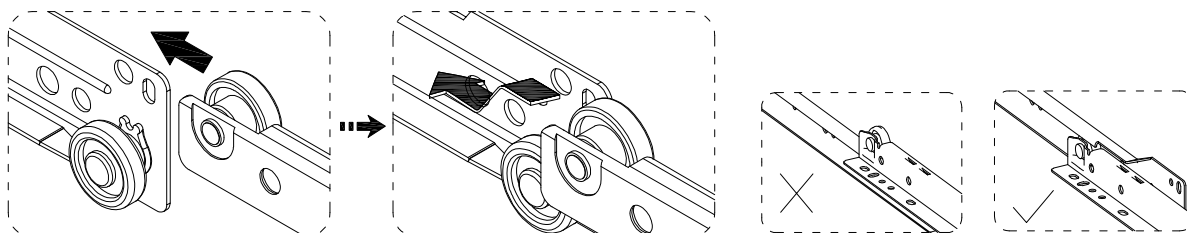
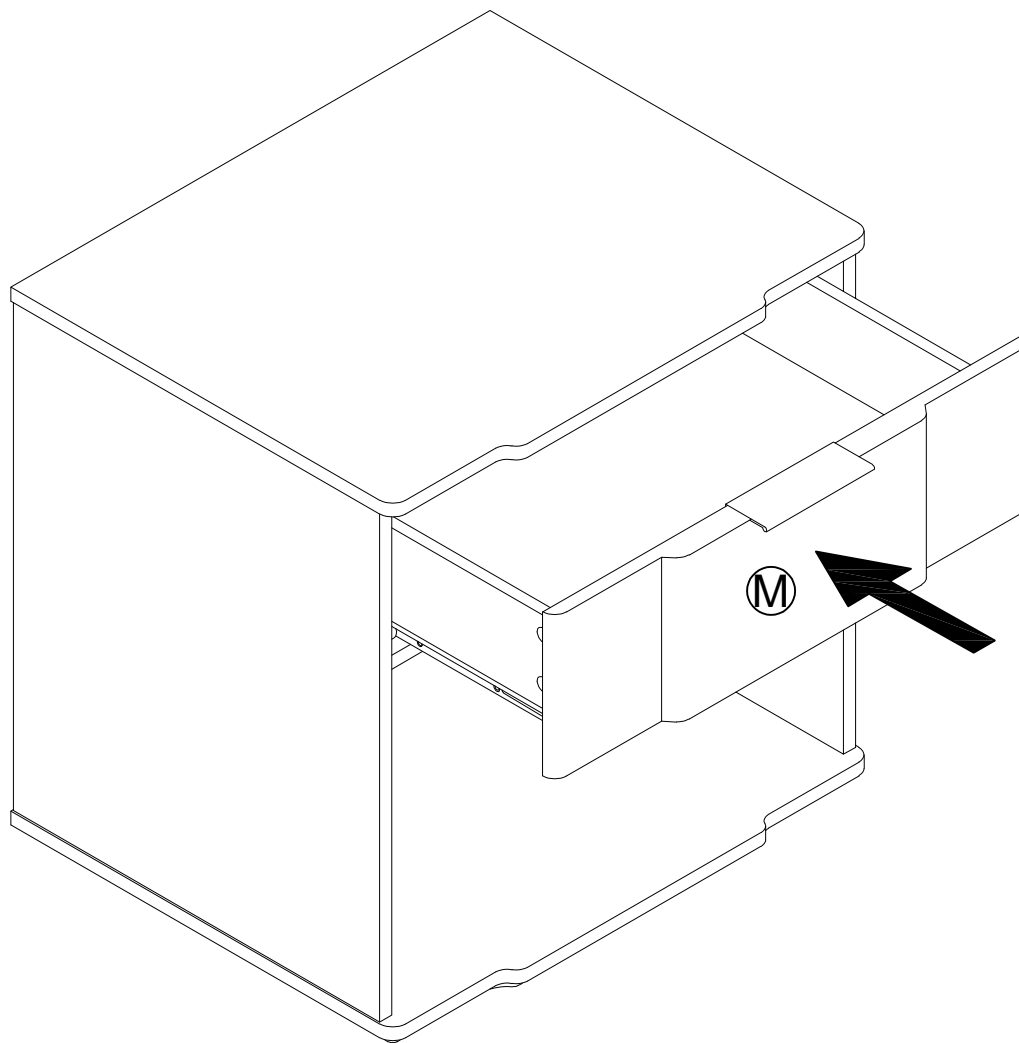
Step 10:

- * Insert Five KD BOLT (1) to the DRAWER FRONT PANEL (M).
- * Assemble the BLACK HANDLE (13) or GOLD HANDLE (15) to the DRAWER FRONT PANEL (M) by SCREW (14).
- * Assemble the DRAWER FRONT PANEL (M) to the DRAWER TRAY by the Five KD SMALL CAM (5) and Five COVER CAP (3).



Step 11:

*Input Drawer tray to the stand.





WARRANTY POLICY

All Manhattan Comfort furniture products are warranted, to the original purchaser at the time of purchase and for a period of 30 days thereafter.

Our warranty is limited to new products purchased in factory sealed cartons. This warranty is valid in the United States of America and Canada.

In order to provide you with timely assistance, please thoroughly inspect your furniture for missing or defective parts immediately after opening the carton.

Manhattan Comfort offers a 30-day parts replacement warranty on all items.

Our furniture products are not intended for outdoor use.

THE WARRANTY DOES NOT COVER:

- Defects/damages by improper assembly or disassembly.
- Defects/damages caused by shipping. Claims for damage during transit should be placed immediately to the transportation company.
- Defects/damages caused by inappropriate use of the furniture.



319 Ridge Rd. Dayton, NJ 08810

908-888-0818