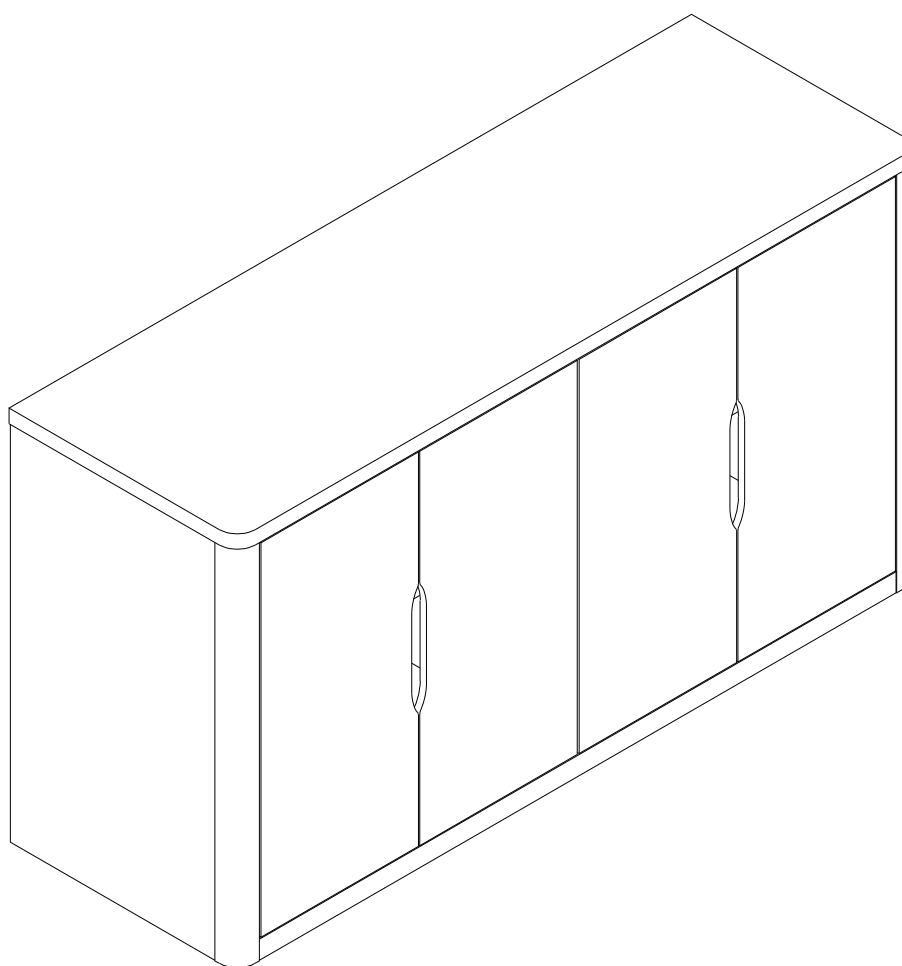


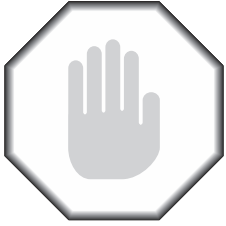


**MANHATTAN  
COMFORT**

---

**SB009**



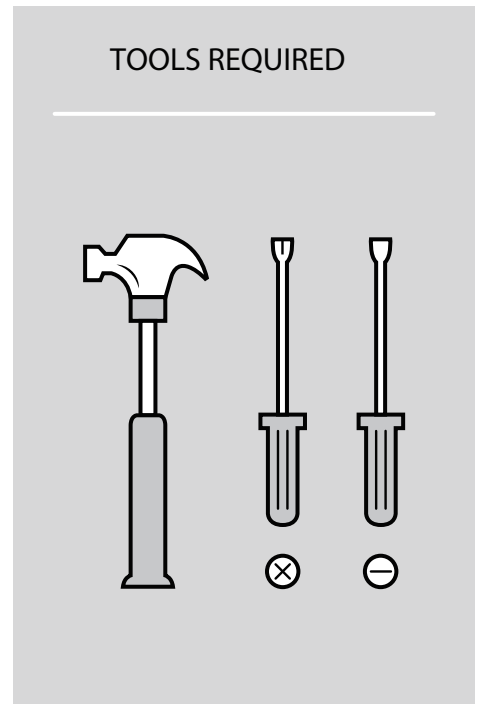
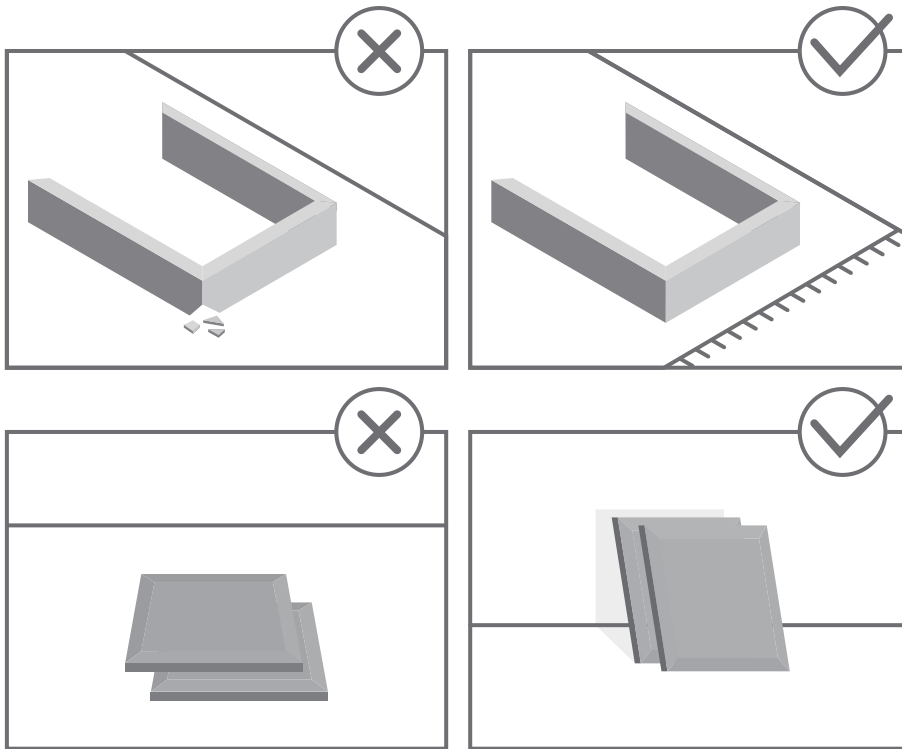


# STOP!

Before beginning the assembly process, ensure all boxes and parts have been delivered.

## FOR BEST RESULTS:

- Do not throw away packaging materials until assembly is complete.
- Assemble item on a soft surface, such as cardboard or carpet, to protect finish.
- Proper assembly requires two people.



View our assembly video online:  
[WWW.MANHATTANCOMFORT.COM](http://WWW.MANHATTANCOMFORT.COM)



Stuck? Question? We are here to help.  
tel: 908-888-0818  
e-mail: [help@manhattancomfort.com](mailto:help@manhattancomfort.com)

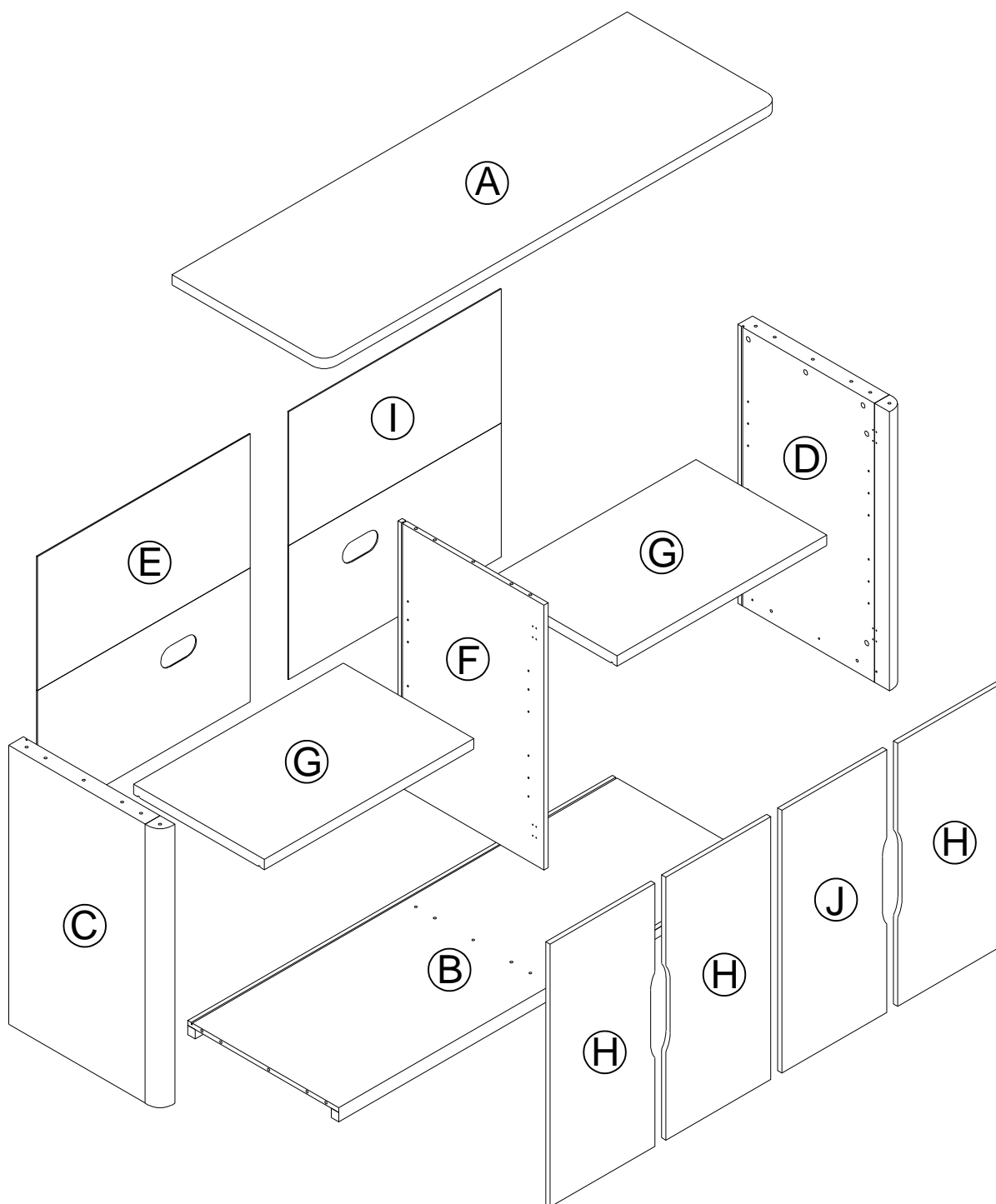
## Support Site



## Included in this package:

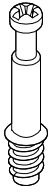
---

- A. TOP PANEL(1)
- B. BOTTOM PANEL(1)
- C. LEFT PANEL (1)
- D. RIGHT PANEL (1)
- E. LEFT BACK PANEL (1)
- F. BETWEEN PANEL (1)
- G. SHELF PANEL(2)
- H. LEFT/RIGHT DOOR (3)
- I. RIGHT BACK PANEL(1)
- J. MIDDLE DOOR (1)

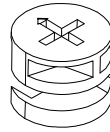


# Hardware Identification

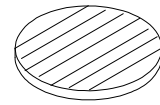
① KD BOLT - 15pcs  
L=35mm



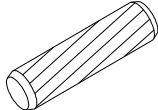
② KD CAM - 15pcs  
Ø15\*11mm



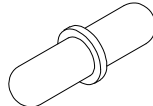
③ COVER CAP - 19pcs



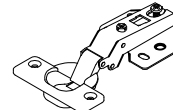
④ WOOD DOWEL - 14pcs  
Ø8\*30mm



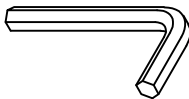
⑤ SHELF SUPPORT - 8pcs



⑥ HINGE - 4pcs



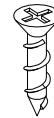
⑦ LOCK - 1pc



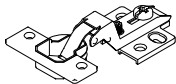
⑧ SCREW - 3pcs  
Ø6\*50mm



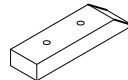
⑨ SCREW - 48pcs  
Ø3.5\*15mm



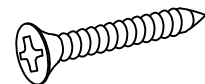
⑩ HINGE - 4pcs



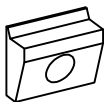
⑪ DOOR STOPPER - 2pcs



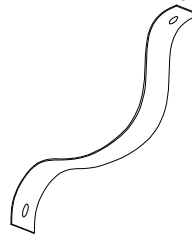
⑫ SCREW - 20pcs  
Ø3\*17mm



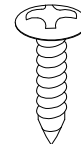
⑬ PLASTIC WEDGE - 20pcs



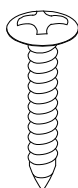
⑭ STRAPS - 2pcs



⑮ SCREW - 2pcs  
Ø4\*18mm



⑯ SCREW - 2pcs  
Ø4\*25mm

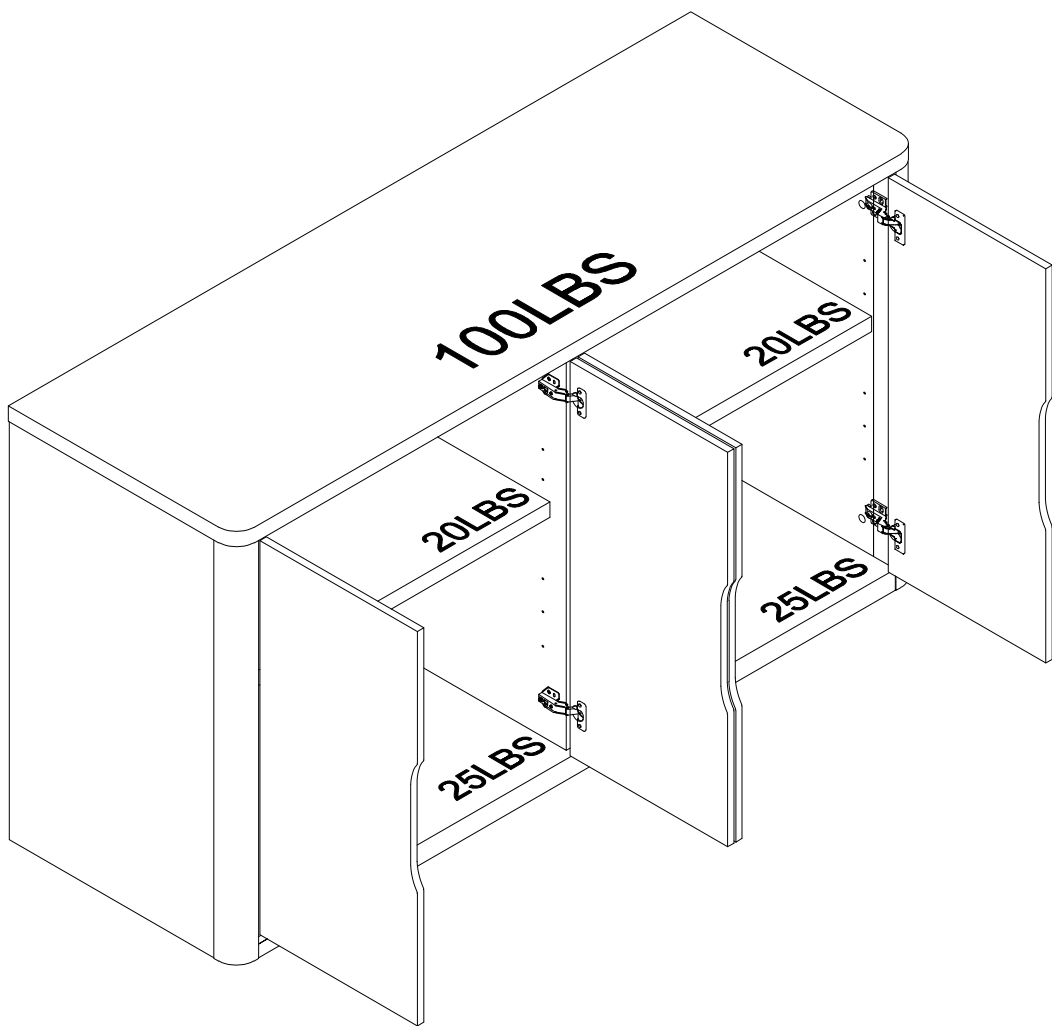


⑰ PLASTIC - 2pcs



⑱ SCREW - 4pcs  
Ø4\*14mm





# Step 1:

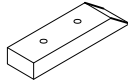
\* Insert Fifteen KD BOLT (1) to the TOP PANEL(A), LEFT PANEL (C) and RIGHT PANEL(D).

\* Assemble Two DOOR STOPPER(11) to the TOP PANEL(A) by Screw(18).

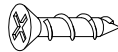
①



⑪



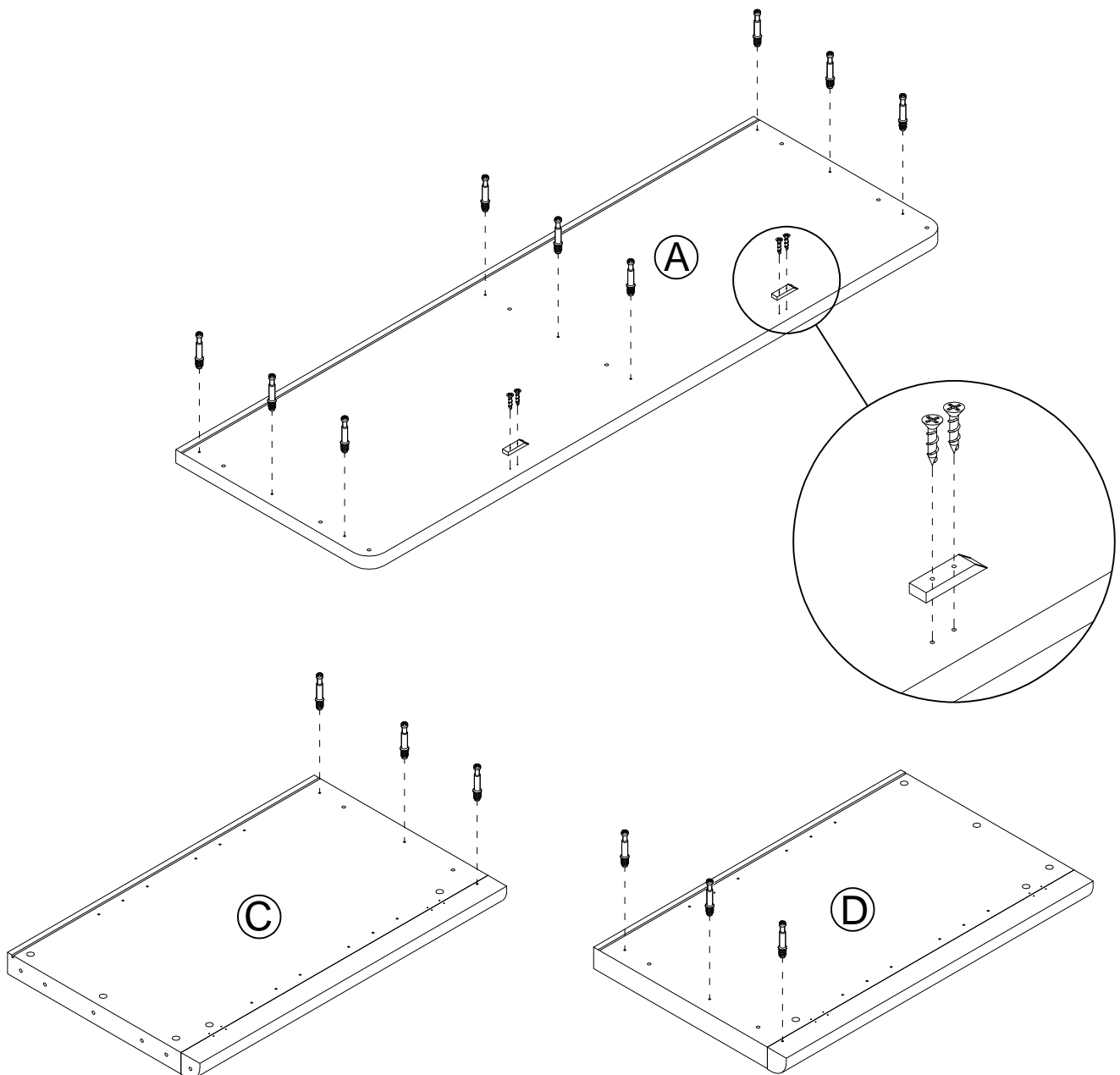
⑱



( 15 PCS )

( 2 PCS )

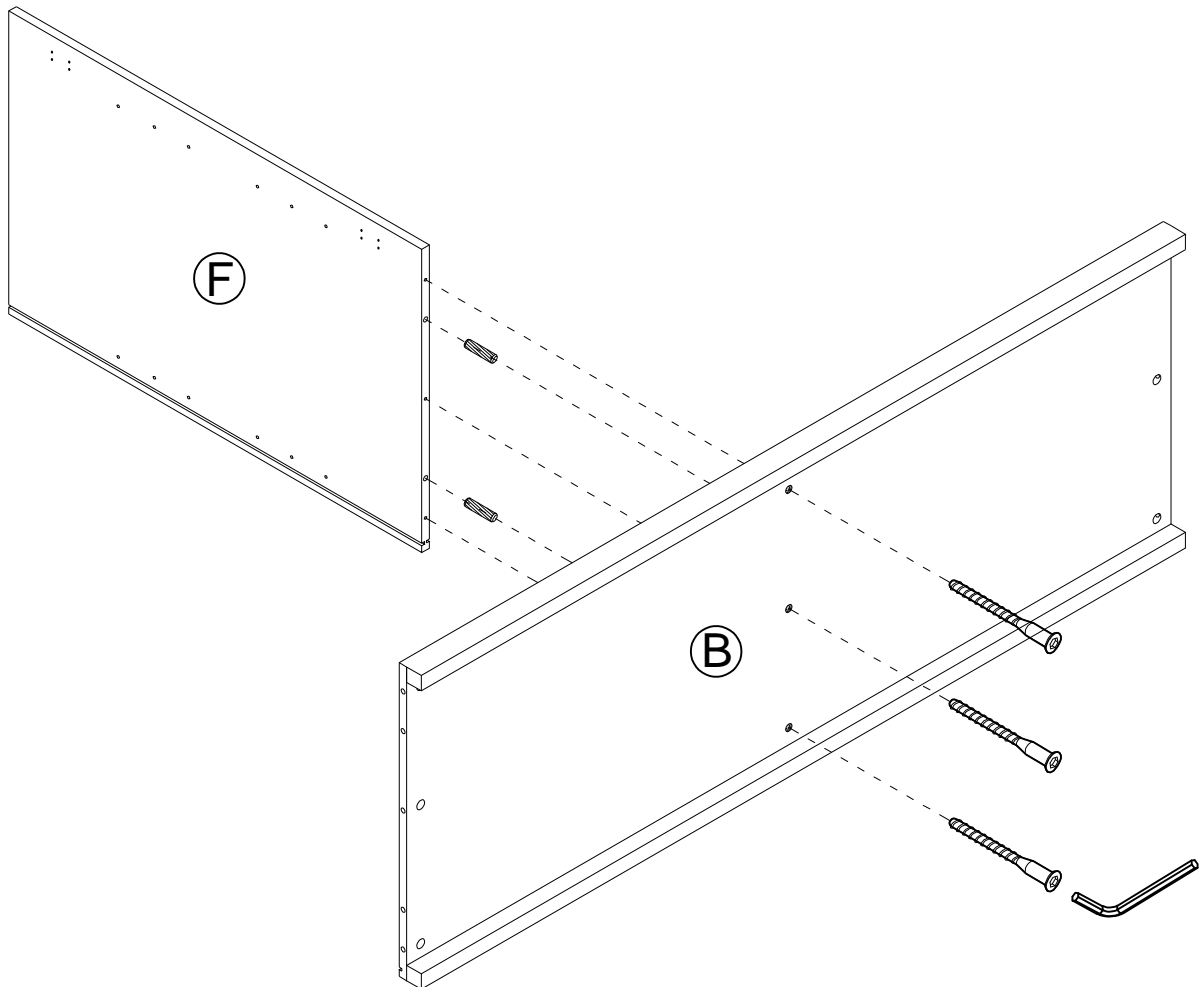
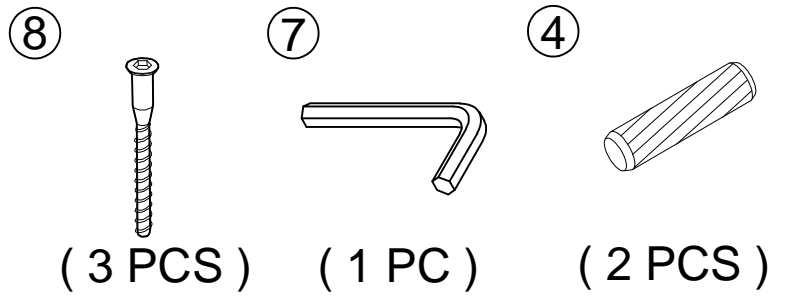
( 4 PCS )



## Step 2:

---

\* Attach the BETWEEN PANEL (F) to the BOTTOM PANEL (B) by the Three Screw(8), Two WOOD DOWEL (4) and LOCK(7) .

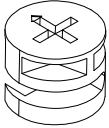


## Step 3:

---

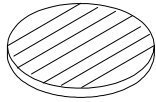
\* Attach the LEFT PANEL (C) and RIGHT PANEL(D) to the BOTTOM PANEL (B) by the Six KD CAM (2) , Six COVER CAP (3) and Four WOOD DOWEL (4) .

②



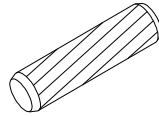
( 6 PCS )

③

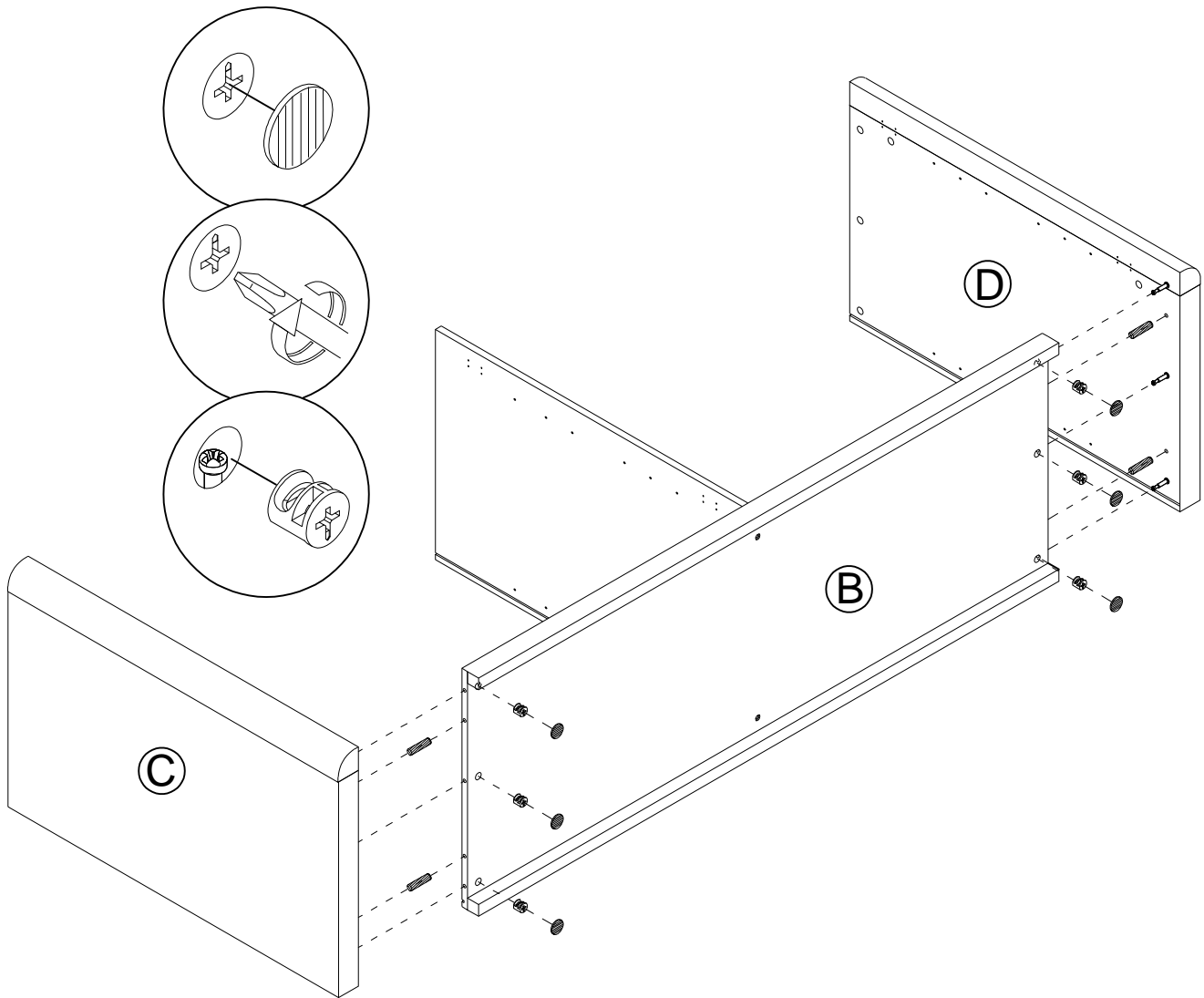


( 6 PCS )

④

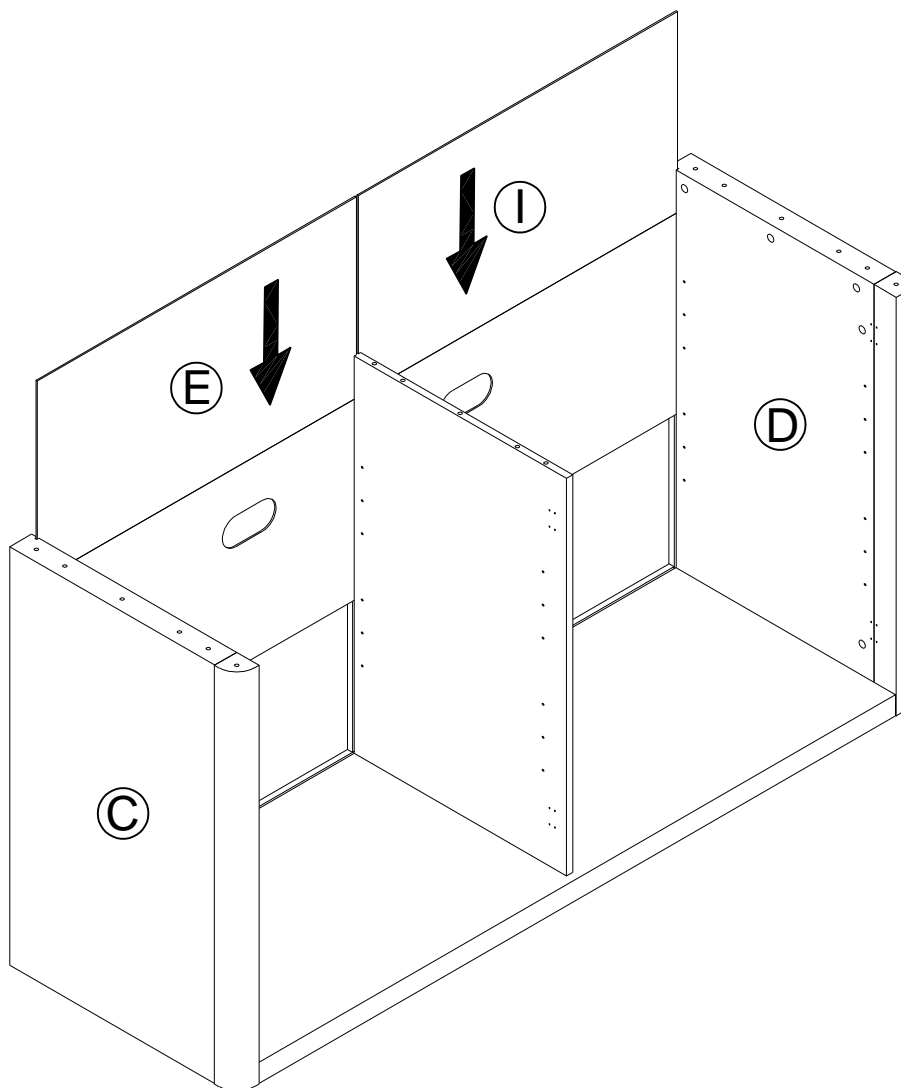


( 4 PCS )



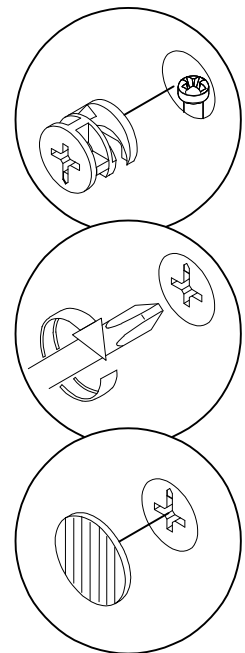
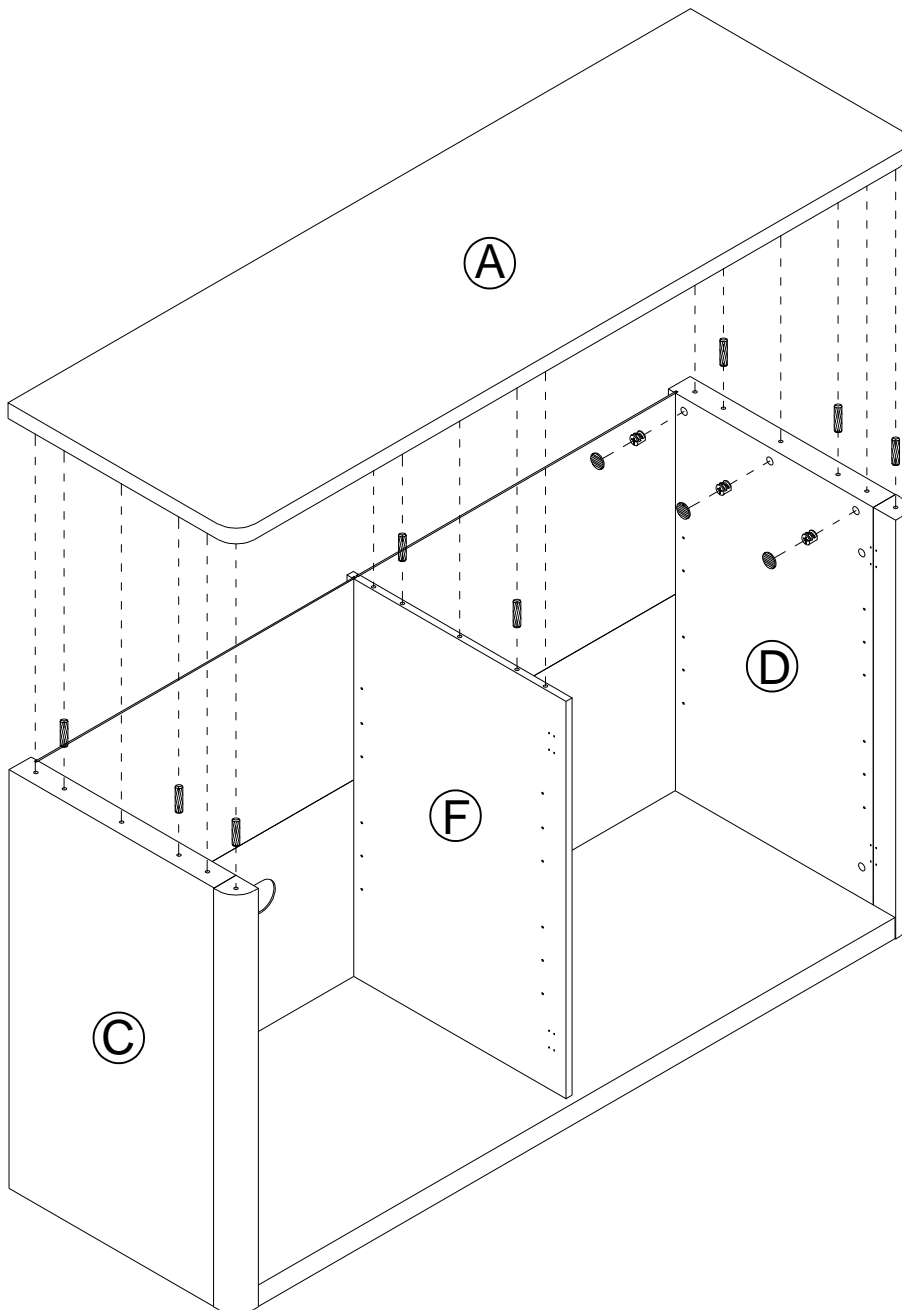
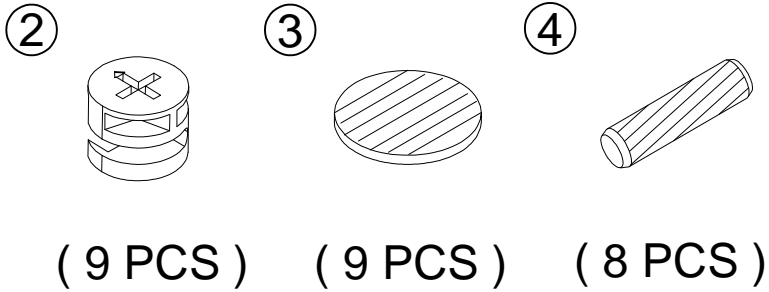
## Step 4:

\* Slide the LEFT BACK PANEL (E) and RIGHT BACK PANEL(I) to the sideboard.



# Step 5:

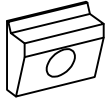
\* Attach the LEFT PANEL (C) and RIGHT PANEL(D) to the TOP PANEL (A) by the Nine KD CAM (2) , Nine COVER CAP (3) and Eight WOOD DOWEL (4) .



## Step 6:

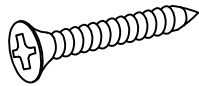
\* Insert Twenty PLASTIC WEDGE(13) and Twenty SCREW(12) to the LEFT BACK PANEL (E) and RIGHT BACK PANEL(I).

⑬

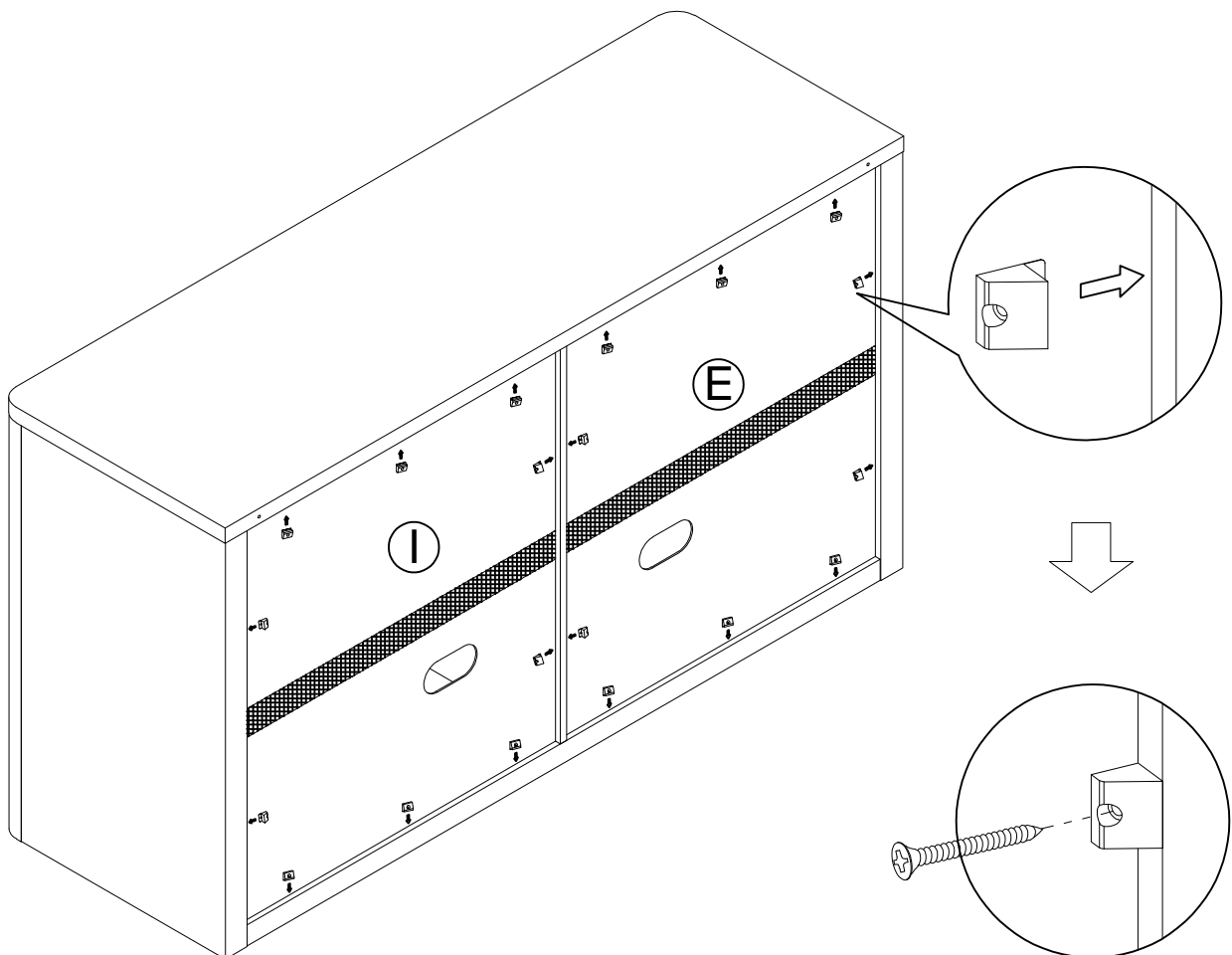


( 20 PCS )

⑫



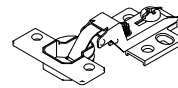
( 20 PCS )



# Step 7:

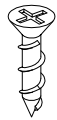
\* Assemble the HINGE(10) to the Two LEFT RIGHT DOOR (H) with the SCREW (9) .

⑩

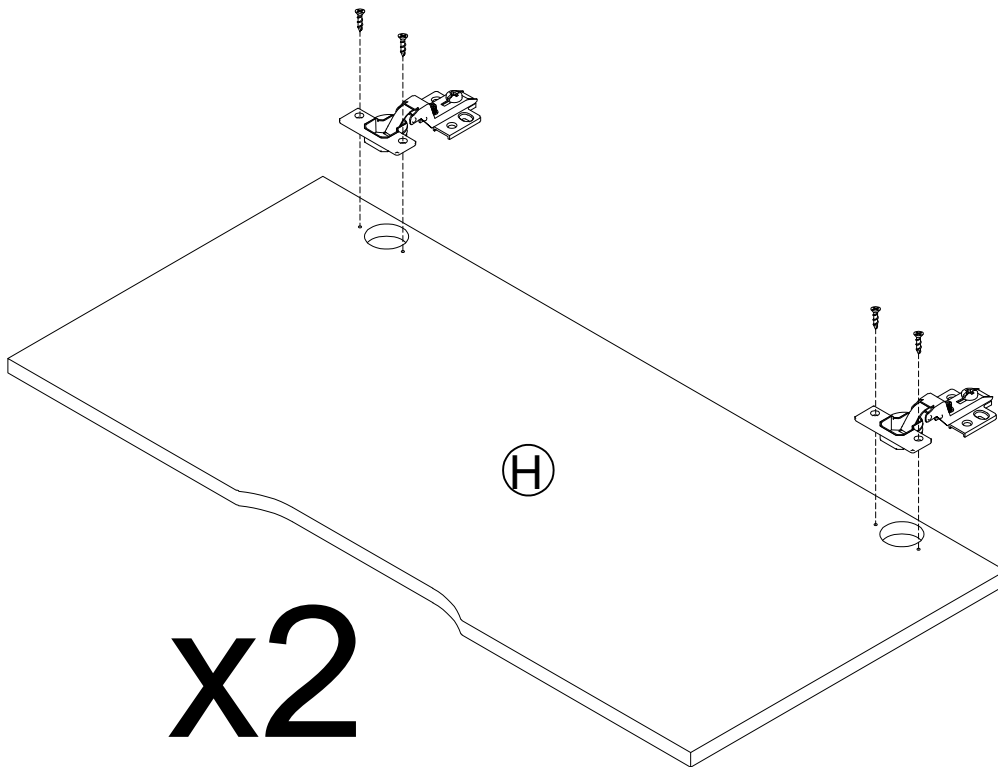


( 4 PCS )

⑨

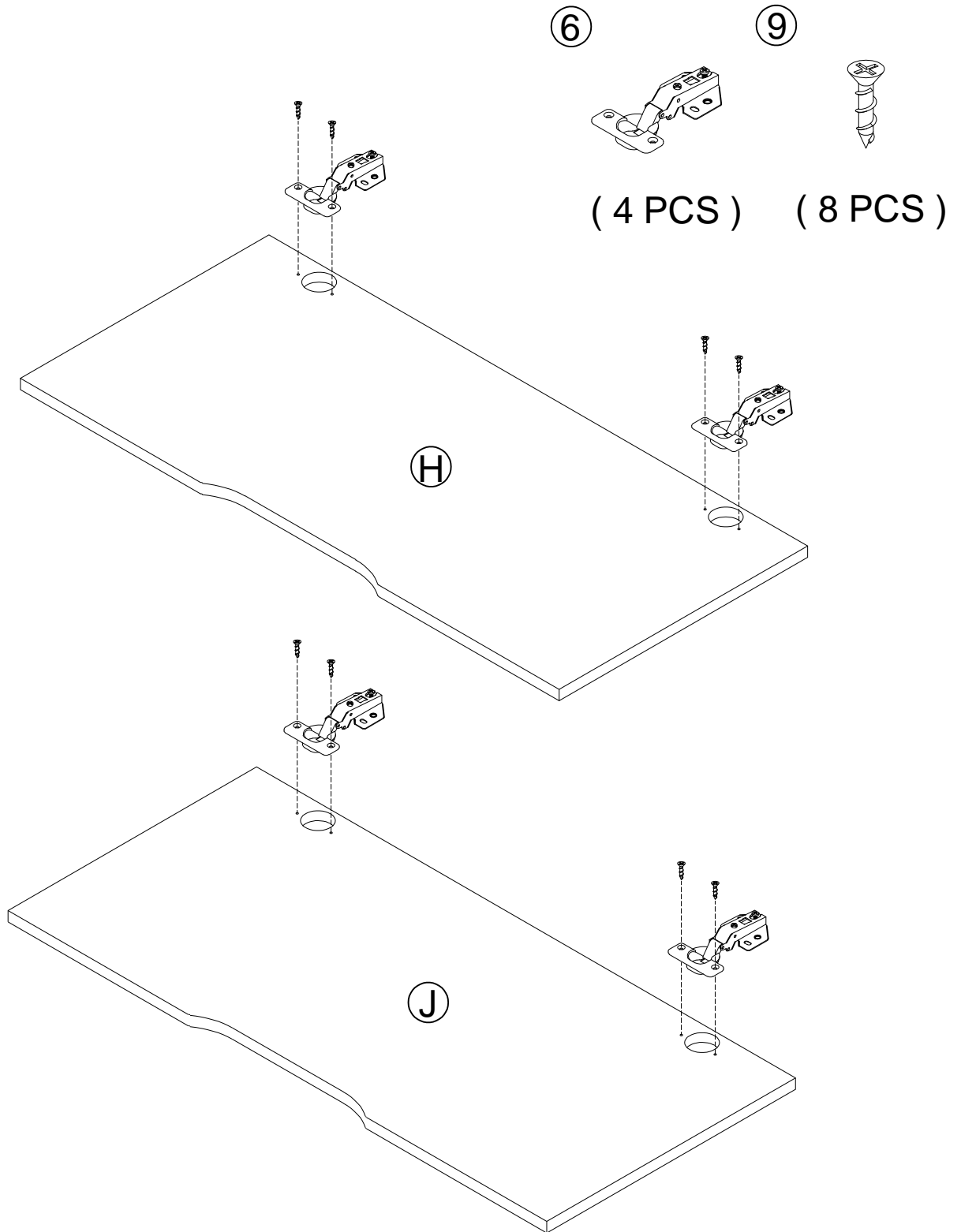


( 8 PCS )



# Step 8:

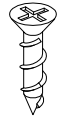
\* Assemble the HINGE(6) to the One LEFT RIGHT DOOR (H) and MIDDLE DOOR(J) with the SCREW (9) .



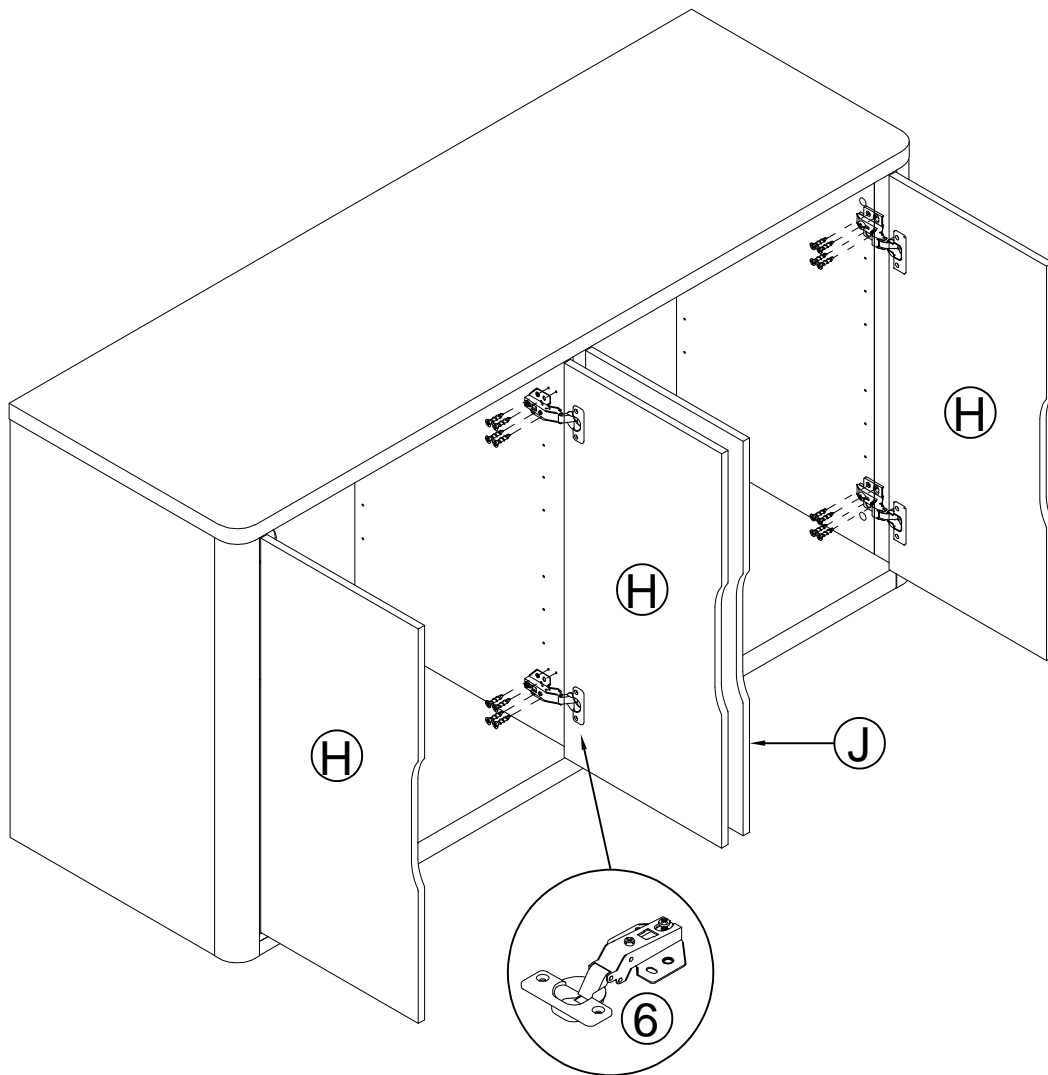
# Step 9:

\* Attach the Three LEFT RIGHT DOOR (H) and MIDDLE DOOR(J) to the sideboard with the SCREW (9) .

⑨



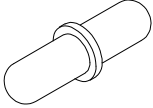
( 32 PCS )



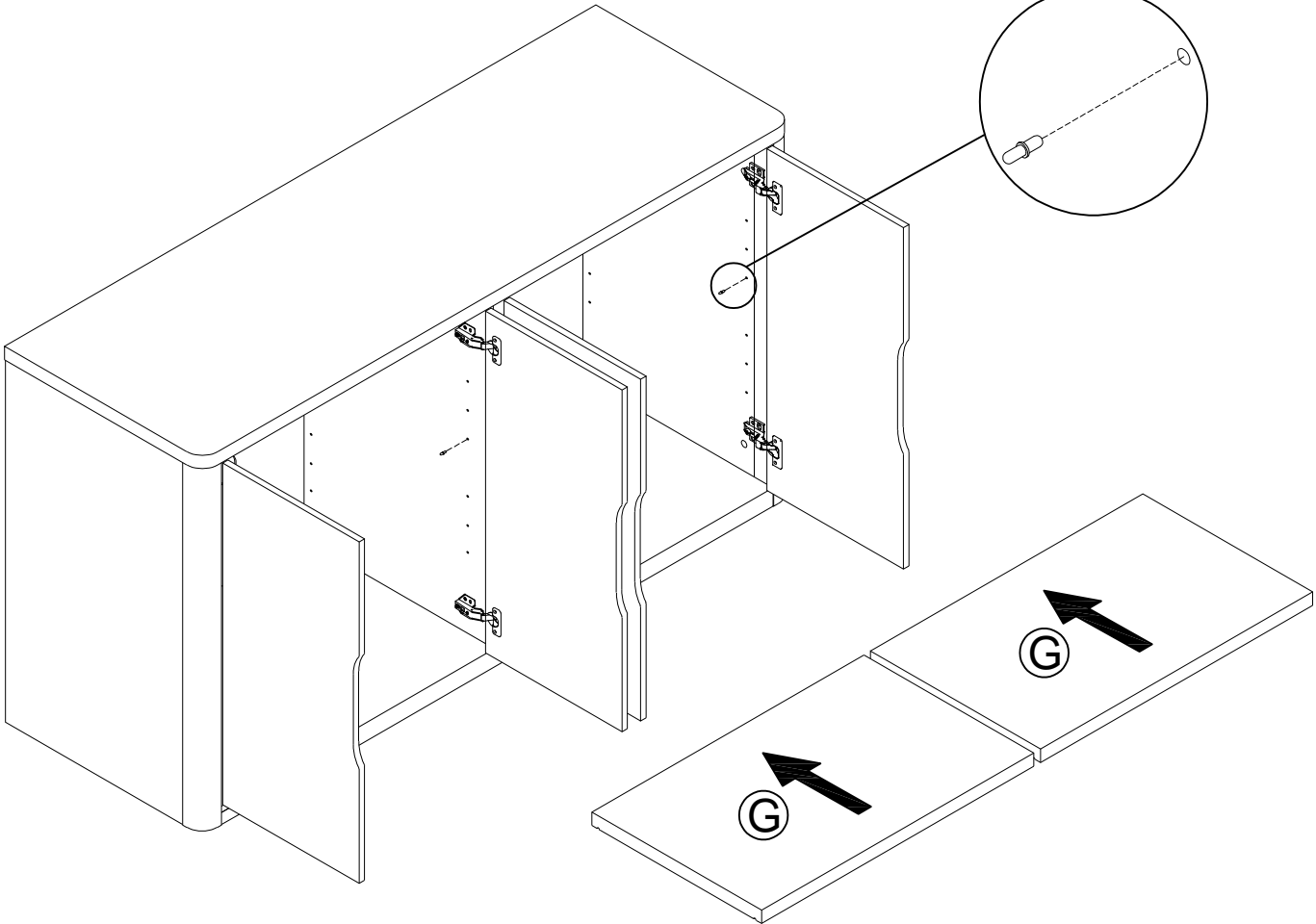
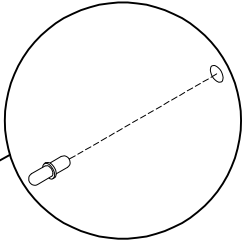
# Step 10:

\*Input Two SHELF PANEL(G) to the sideboard with Eight SHELF SUPPORT(5) .

⑤

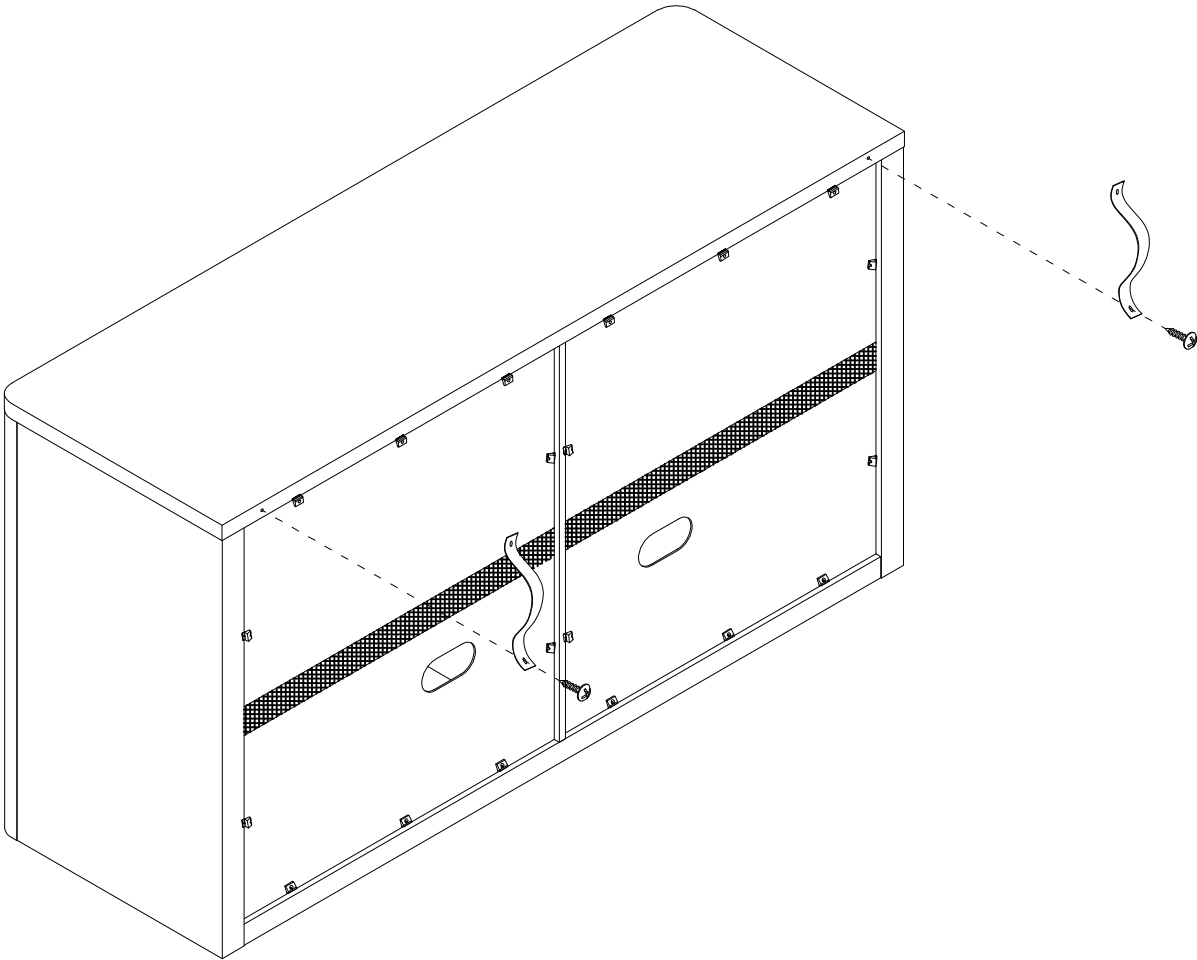
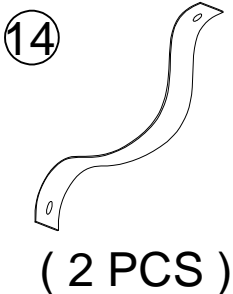


( 8 PCS )



# Step 11:

\* Attach anti-tipping straps to the back of the sideboard.



## Step 12:

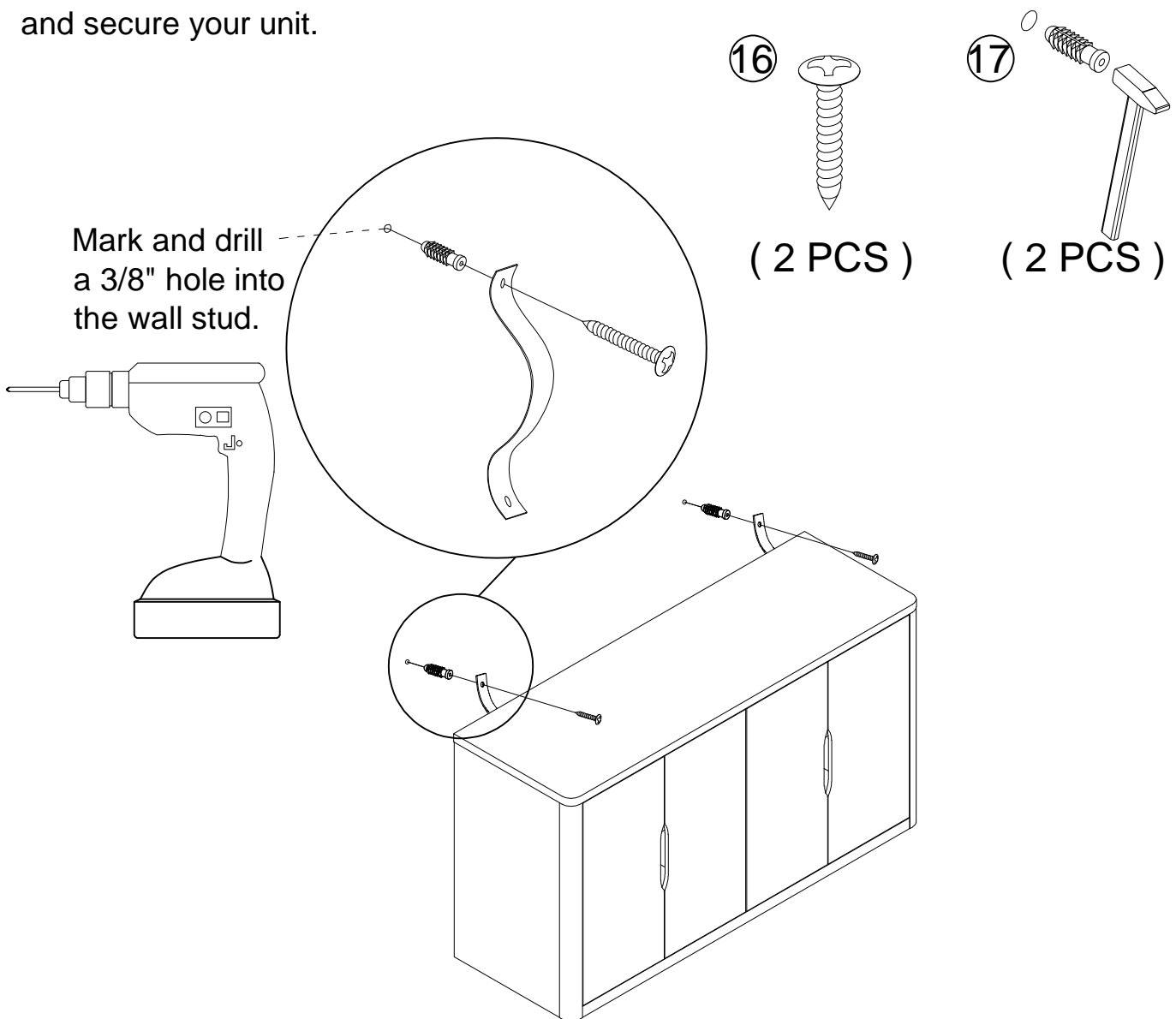
1st- With your pencil, strike a mark through the center of the hole in the SAFETY STRAP.

2nd- Drill a 3/8" hole on the mark.

3rd- FURNITURE TIPPING RESTRAINT KIT (17) into the hole until it is even with the surface of the wall.

4th- Turn the LONG SCREW through the hole in the SAFETY STRAP and into the WALL ANCHOR.

NOTE: You will need to turn the LONG SCREW multiple turns to completely tighten and secure your unit.





---

## WARRANTY POLICY

All Manhattan Comfort furniture products are warranted, to the original purchaser at the time of purchase and for a period of 30 days thereafter.

Our warranty is limited to new products purchased in factory sealed cartons. This warranty is valid in the United States of America and Canada.

In order to provide you with timely assistance, please thoroughly inspect your furniture for missing or defective parts immediately after opening the carton.

Manhattan Comfort offers a 30-day parts replacement warranty on all items.

Our furniture products are not intended for outdoor use.

### THE WARRANTY DOES NOT COVER:

- Defects/damages by improper assembly or disassembly.
- Defects/damages caused by shipping. Claims for damage during transit should be placed immediately to the transportation company.
- Defects/damages caused by inappropriate use of the furniture.



319 Ridge Rd. Dayton, NJ 08810

908-888-0818