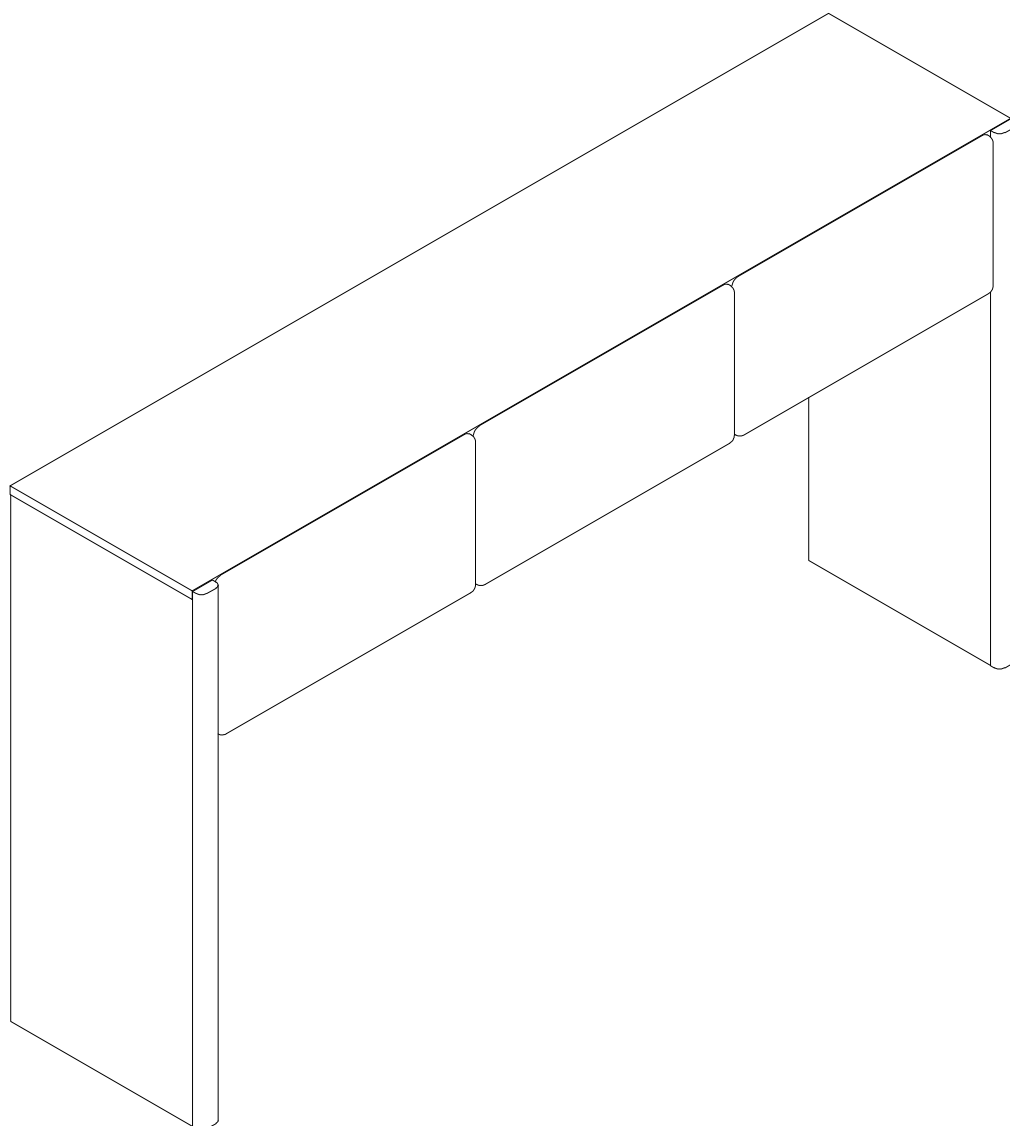
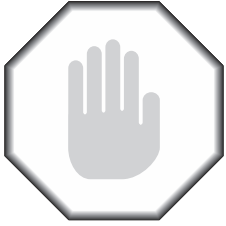




**MANHATTAN
COMFORT**

DK002



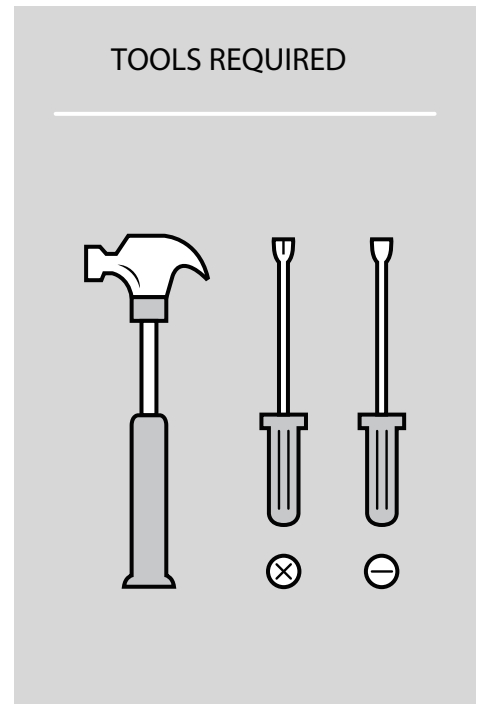
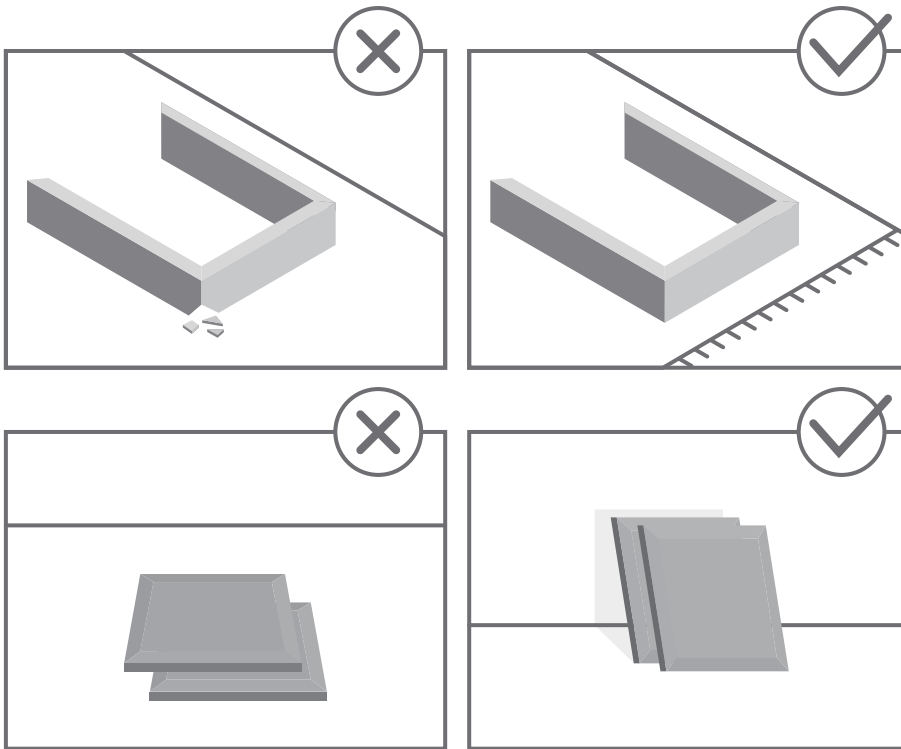


STOP!

Before beginning the assembly process, ensure all boxes and parts have been delivered.

FOR BEST RESULTS:

- Do not throw away packaging materials until assembly is complete.
- Assemble item on a soft surface, such as cardboard or carpet, to protect finish.
- Proper assembly requires two people.



View our assembly video online:
WWW.MANHATTANCOMFORT.COM



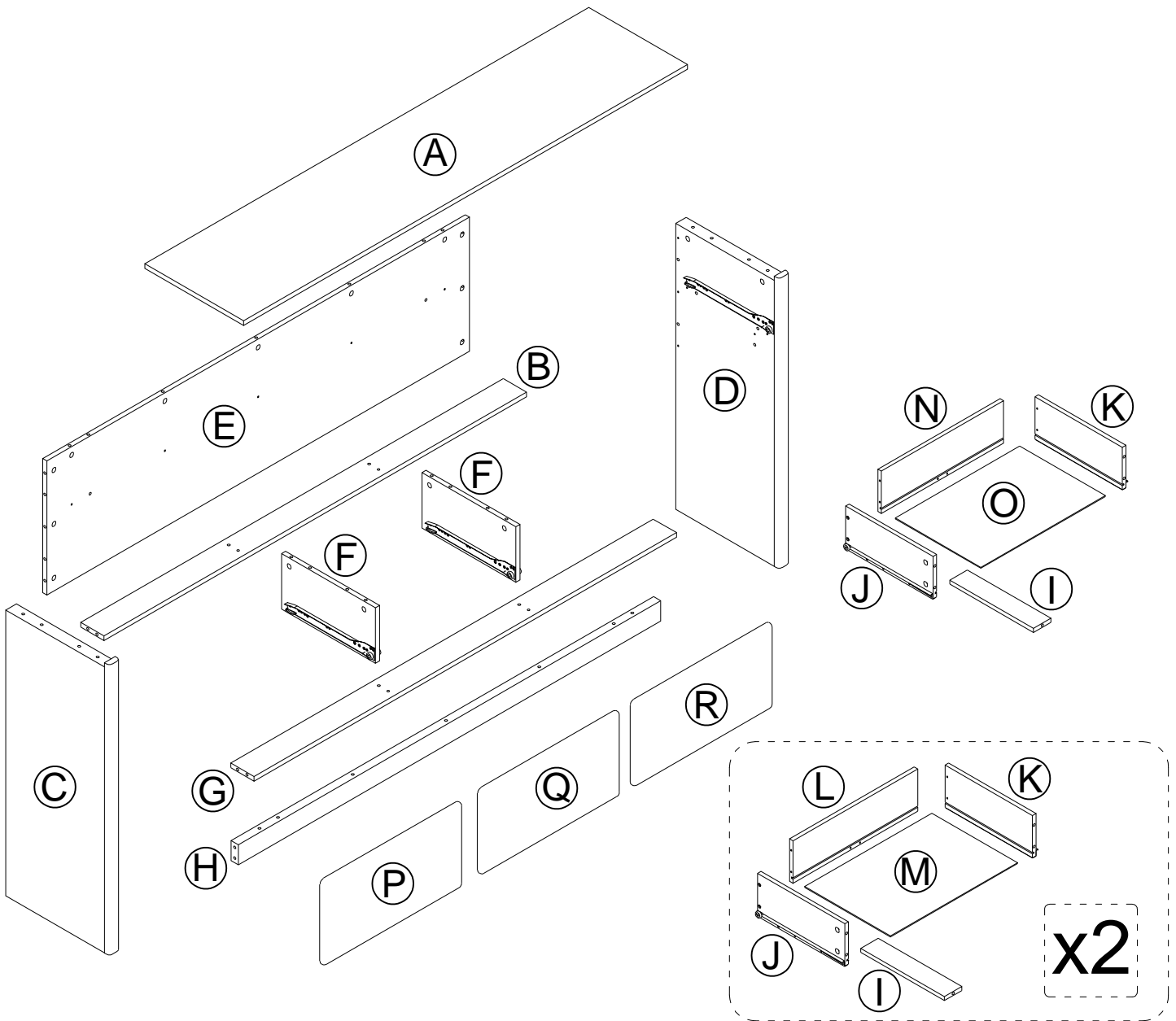
Stuck? Question? We are here to help.
tel: 908-888-0818
e-mail: help@manhattancomfort.com

Support Site



Included in this package:

- A. TOP PANEL(1)
- B. BACK UPPER PANEL(1)
- C. LEFT PANEL (1)
- D. RIGHT PANEL (1)
- E. BACK PANEL (1)
- F. BETWEEN PANEL (2)
- G. FRONT UPPER PANEL(1)
- H. FRONT LOWER PANEL(1)
- I. DRAWER SUPPORT PANEL (3)
- J. DRAWER LEFT PANEL (3)
- K. DRAWER RIGHT PANEL (3)
- L. LEFT/RIGHT DRAWER BACK PANEL (2)
- M. LEFT/RIGHT DRAWER BOTTOM PANEL (2)
- N. MIDDLE DRAWER BACK PANEL (1)
- O. MIDDLE DRAWER BOTTOM PANEL (1)
- P. DRAWER LEFT FRONT PANEL (1)
- Q. DRAWER MIDDLE FRONT PANEL (1)
- R. DRAWER RIGHT FRONT PANEL (1)

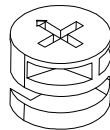


Hardware Identification

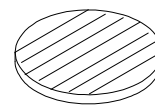
① KD BOLT - 50pcs
L=35mm



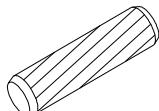
② KD LARGE CAM - 35pcs
Ø15*11mm



③ COVER CAP - 50pcs



④ WOOD DOWEL - 28pcs
Ø8*30mm



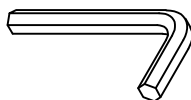
⑤ KD SMALL CAM - 15pcs
Ø15*9mm



⑥ SCREW - 18pcs
Ø4*38mm



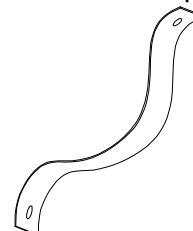
⑦ LOCK - 1pc



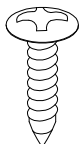
⑧ SCREW - 4pcs
Ø6*50mm



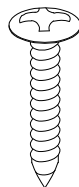
⑨ STRAPS - 2pcs



⑩ SCREW - 2pcs
Ø4*18mm

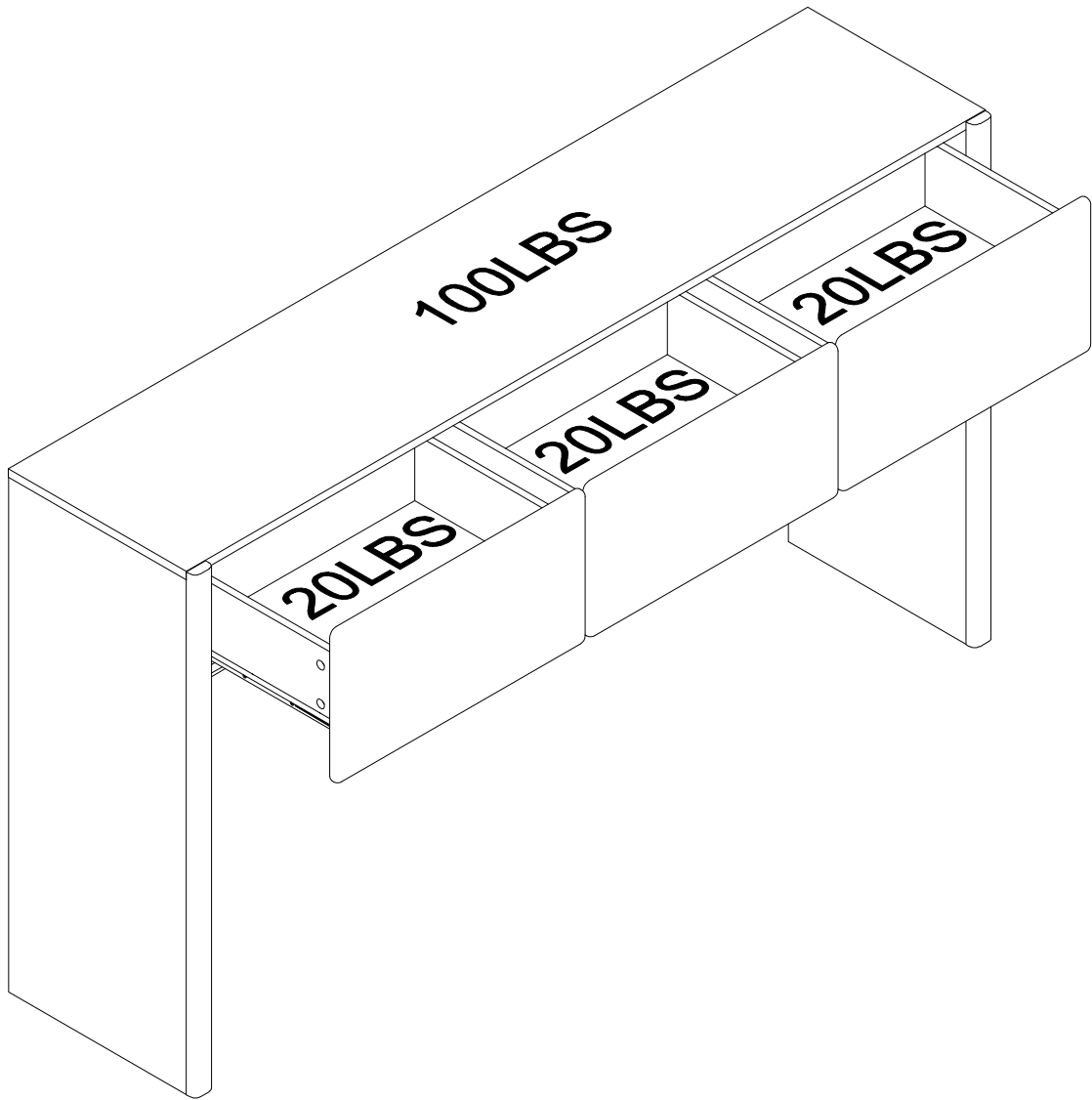


⑪ SCREW - 2pcs
Ø4*25mm



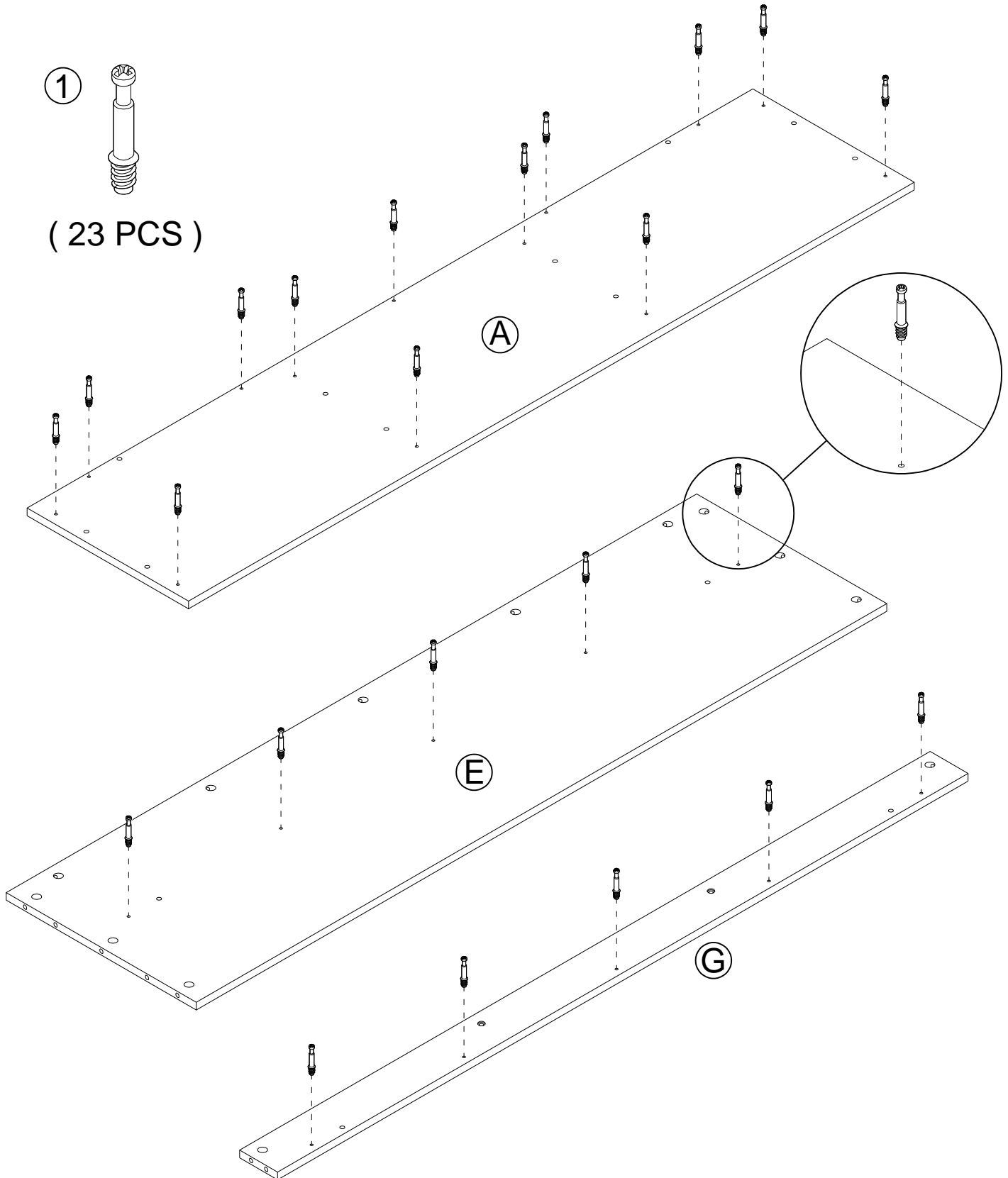
⑫ PLASTIC - 2pcs





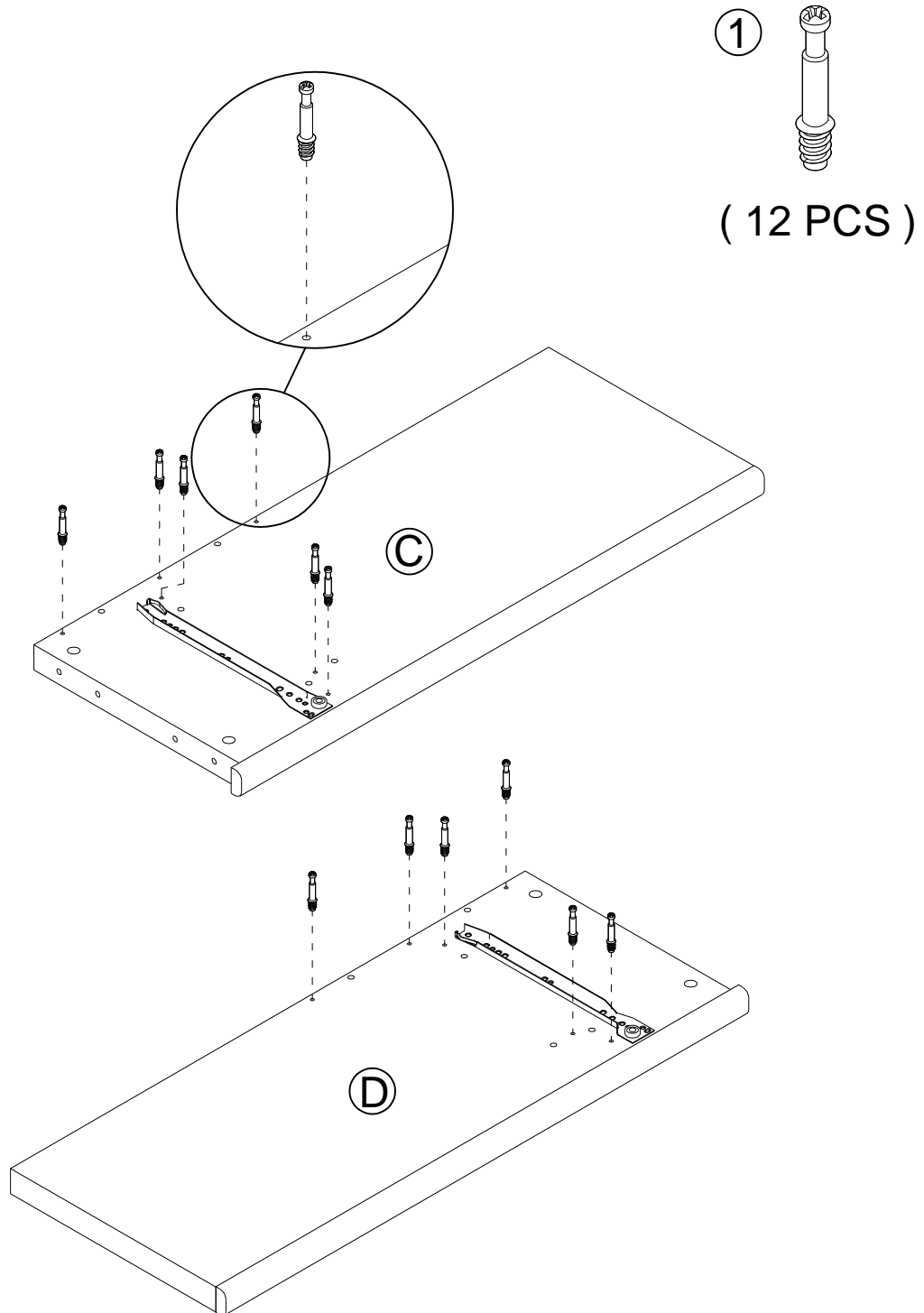
Step 1:

* Insert Twenty-Three KD BOLT (1) to the TOP PANEL (A), BACK PANEL (E) and FRONT UPPER PANEL(G).



Step 2:

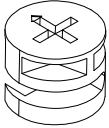
* Insert Twelve KD BOLT (1) to the LEFT PANEL (C) and RIGHT PANEL (D).



Step 3:

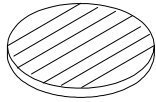
* Attach the FRONT UPPER PANEL(G) to the FRONT LOWER PANEL(H) by the Five KD LARGE CAM (2) , Five COVER CAP (3) and Two WOOD DOWEL (4) .

②



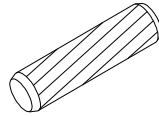
(5 PCS)

③

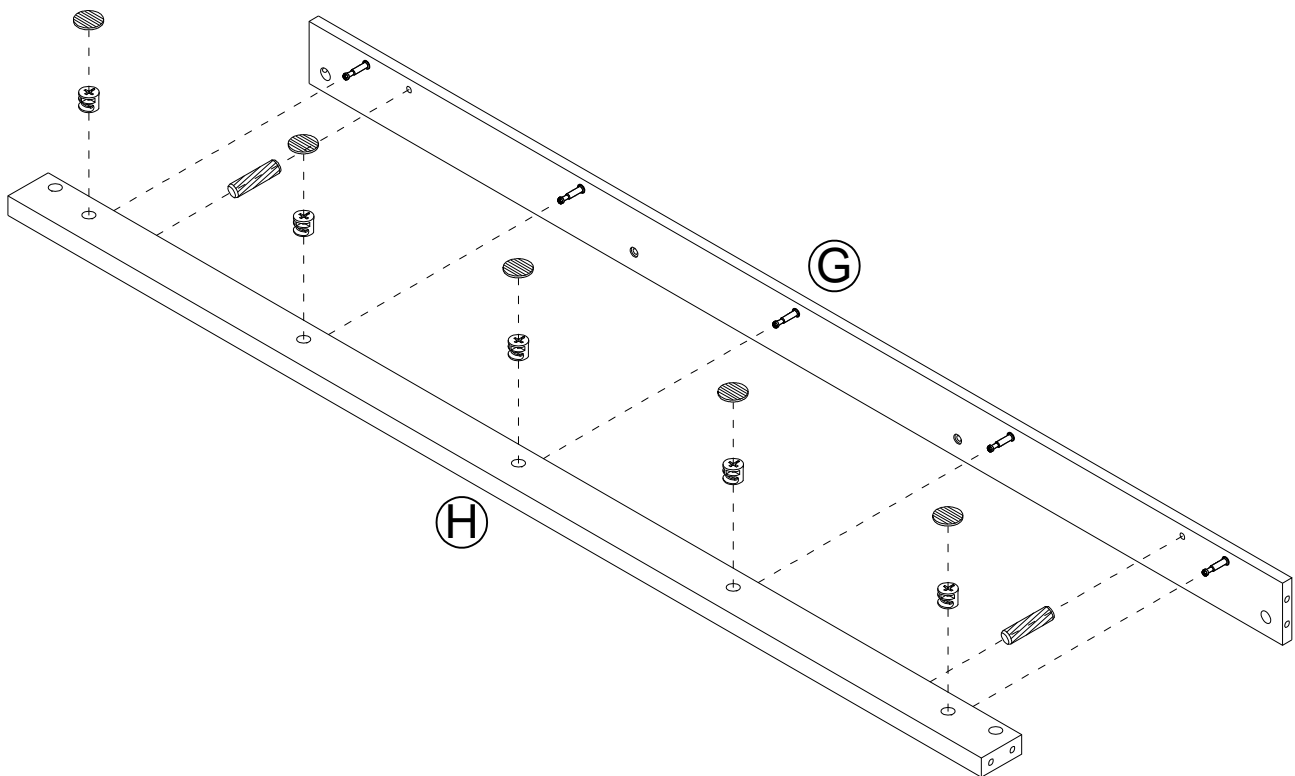


(5 PCS)

④

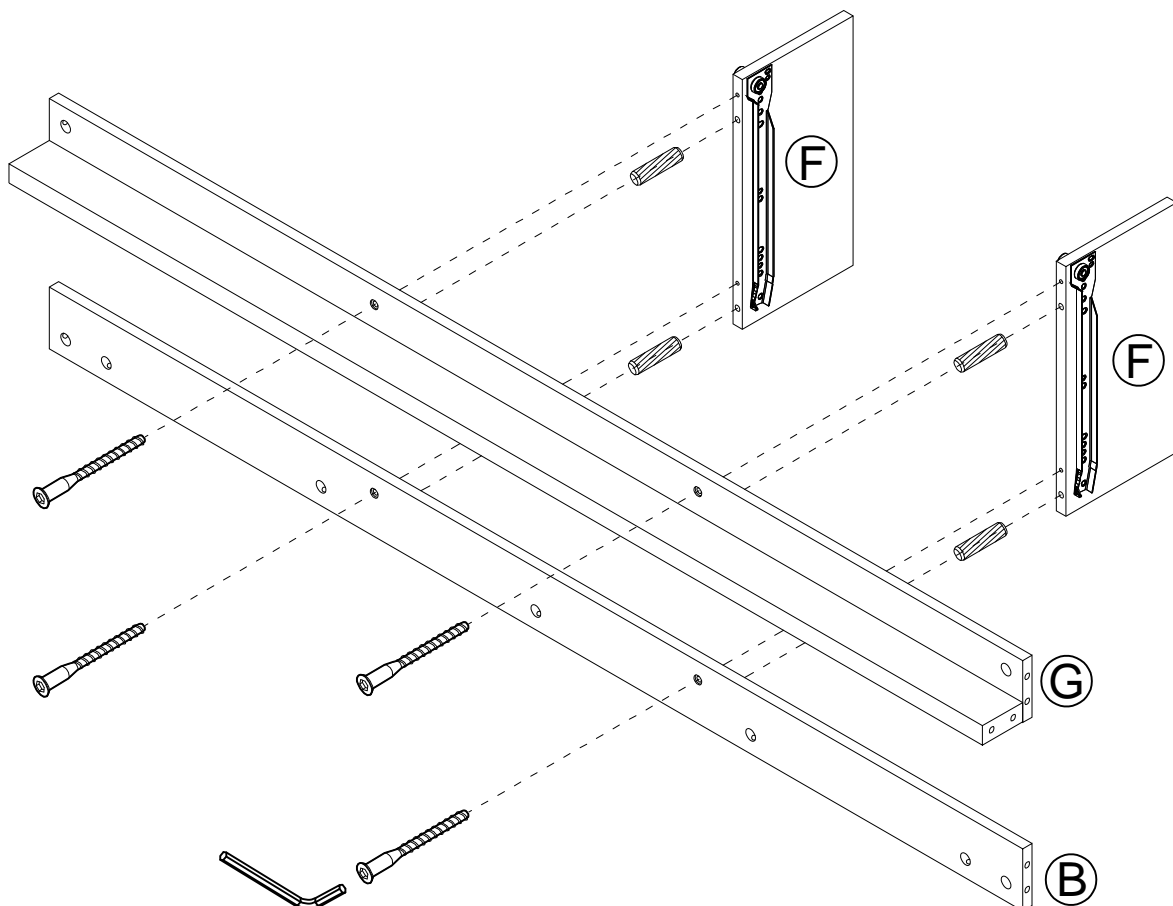
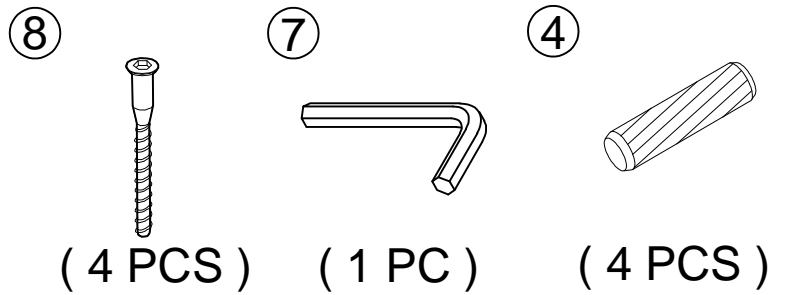


(2 PCS)



Step 4:

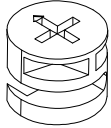
* Attach the FRONT UPPER PANEL(G) and BACK UPPER PANEL(B) to the Two BETWEEN PANEL (F) by the Four Screw(8), Four WOOD DOWEL (4) and LOCK(7) .



Step 5:

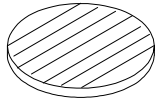
* Attach the BACK UPPER PANEL(B) to the BACK PANEL (E) by the Five KD LARGE CAM (2) , Five COVER CAP (3) and Two WOOD DOWEL (4) .

②



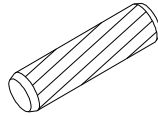
(5 PCS)

③

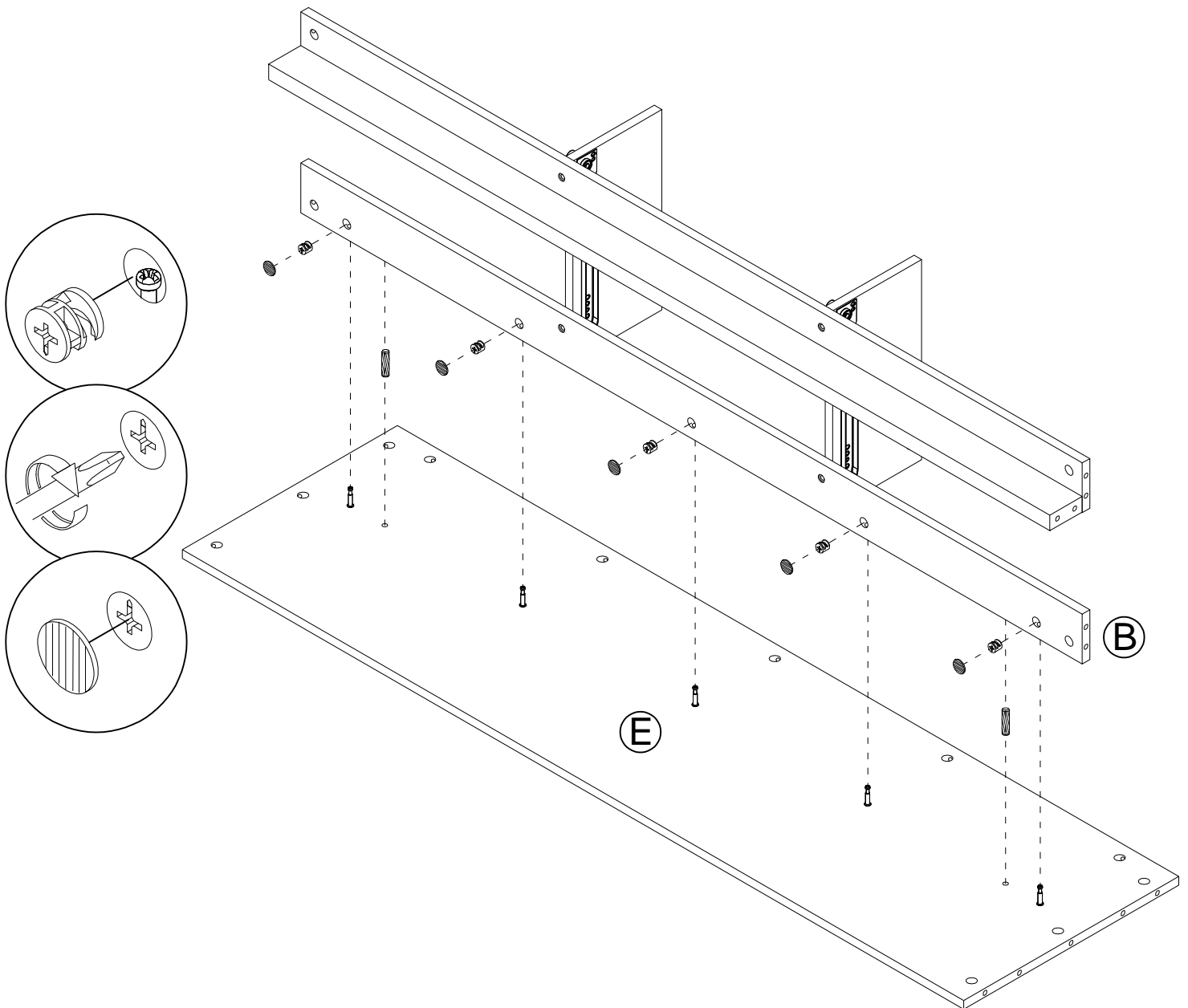


(5 PCS)

④



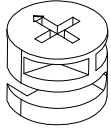
(2 PCS)



Step 6:

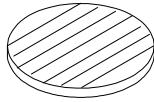
* Attach the LEFT PANEL (C) to the BACK UPPER PANEL(B), BACK PANEL (E), FRONT UPPER PANEL(G) and FRONT LOWER PANEL(H) by the Six KD LARGE CAM (2) , Six COVER CAP (3) and Five WOOD DOWEL (4) .

②



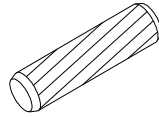
(6 PCS)

③

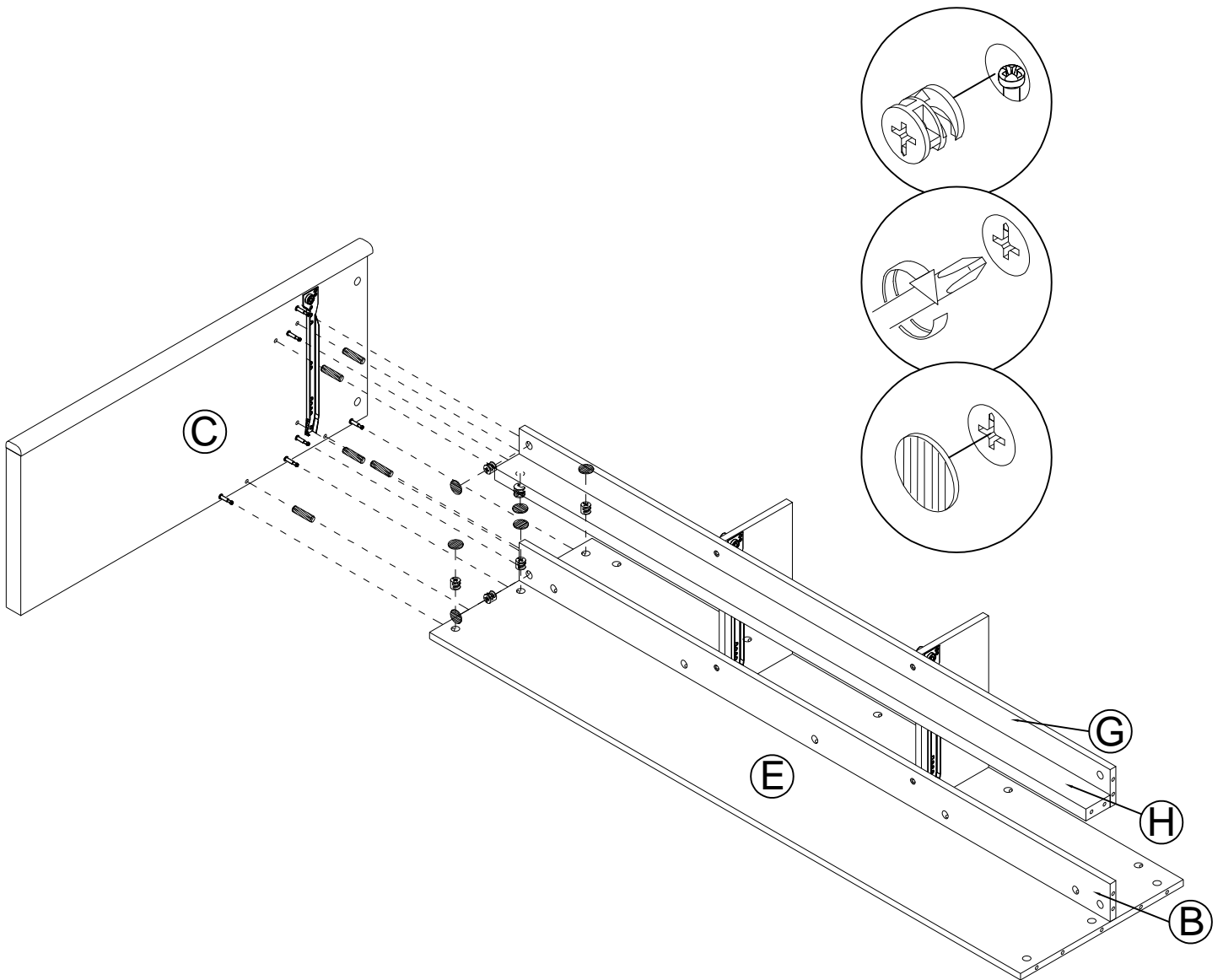


(6 PCS)

④



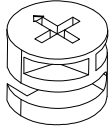
(5 PCS)



Step 7:

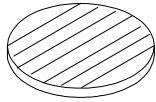
* Attach the RIGHT PANEL (D) to the BACK UPPER PANEL(B), BACK PANEL (E), FRONT UPPER PANEL(G) and FRONT LOWER PANEL(H) by the Six KD LARGE CAM (2) , Six COVER CAP (3) and Five WOOD DOWEL (4) .

②



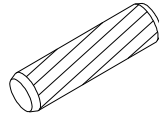
(6 PCS)

③

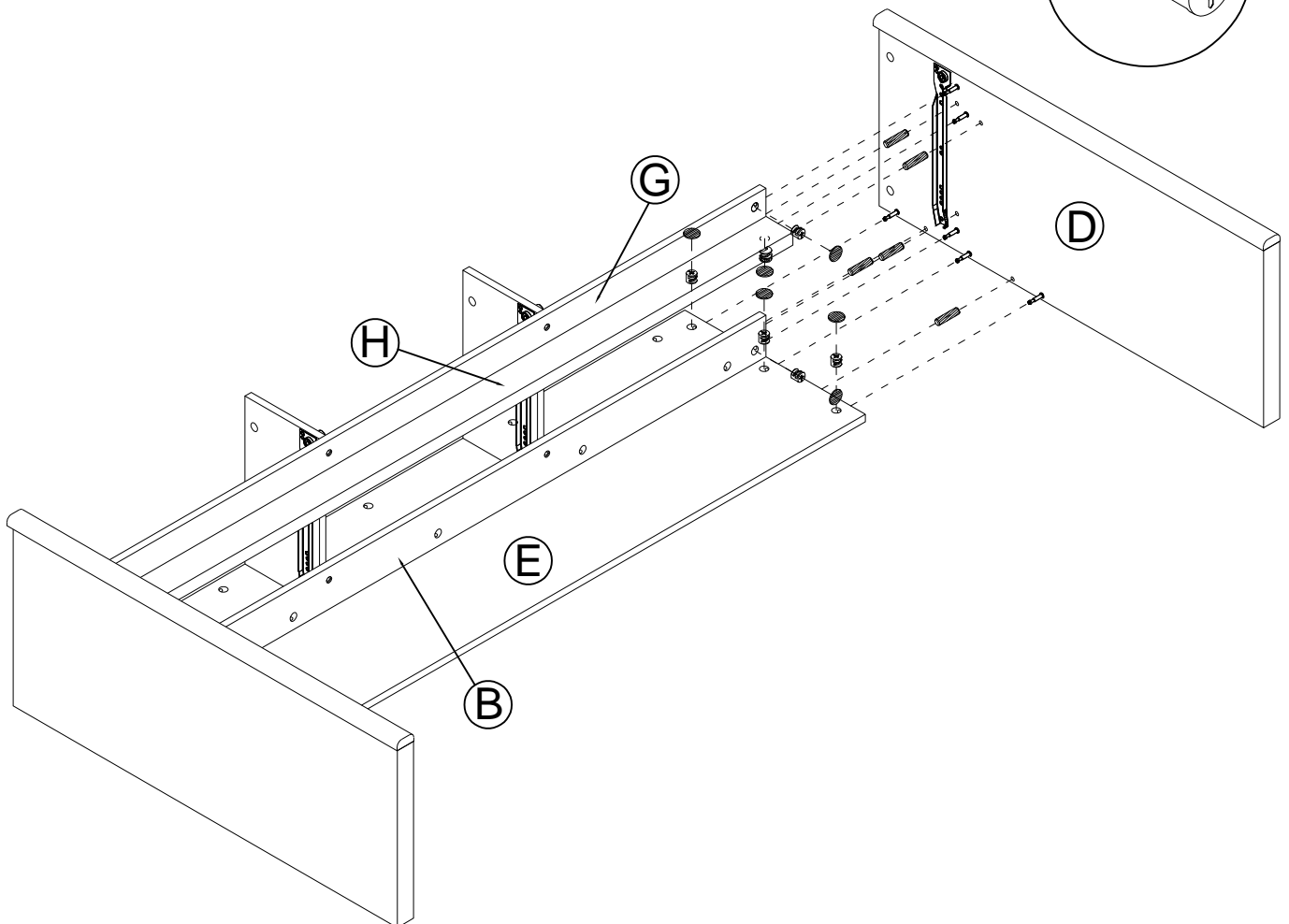
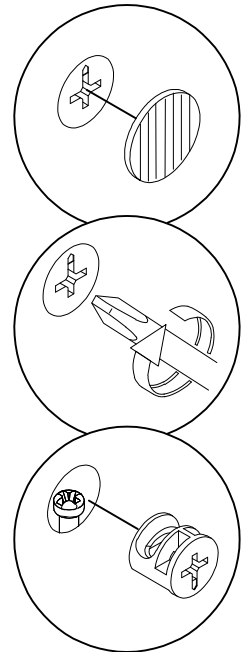


(6 PCS)

④



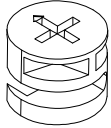
(5 PCS)



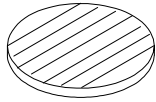
Step 8:

* Attach the TOP PANEL(A) to the LEFT PANEL(C), RIGHT PANEL(D), Two BETWEEN PANEL (F) and BACK PANEL (E) by the Thirteen KD LARGE CAM (2) , Thirteen COVER CAP (3) and Ten WOOD DOWEL (4) .

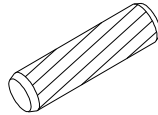
②



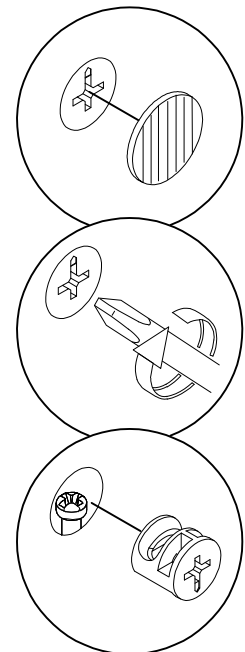
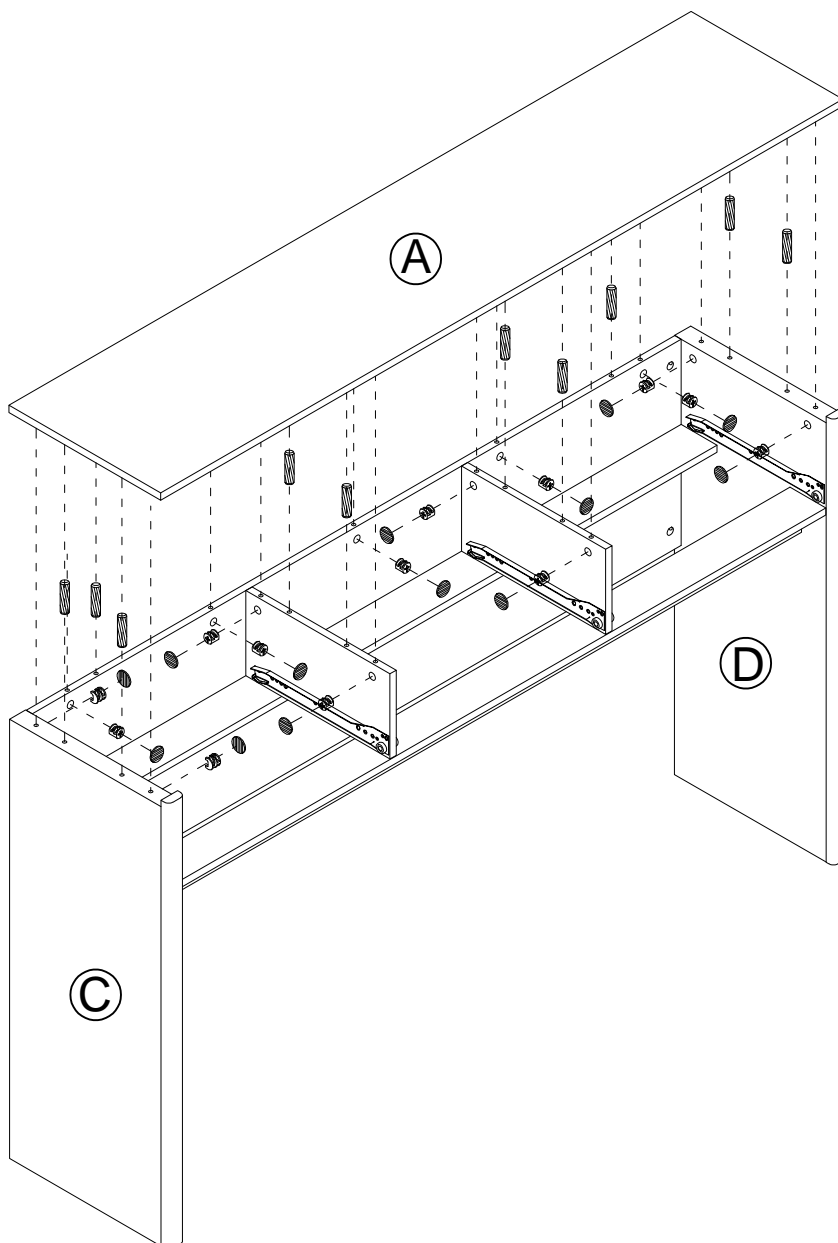
③



④

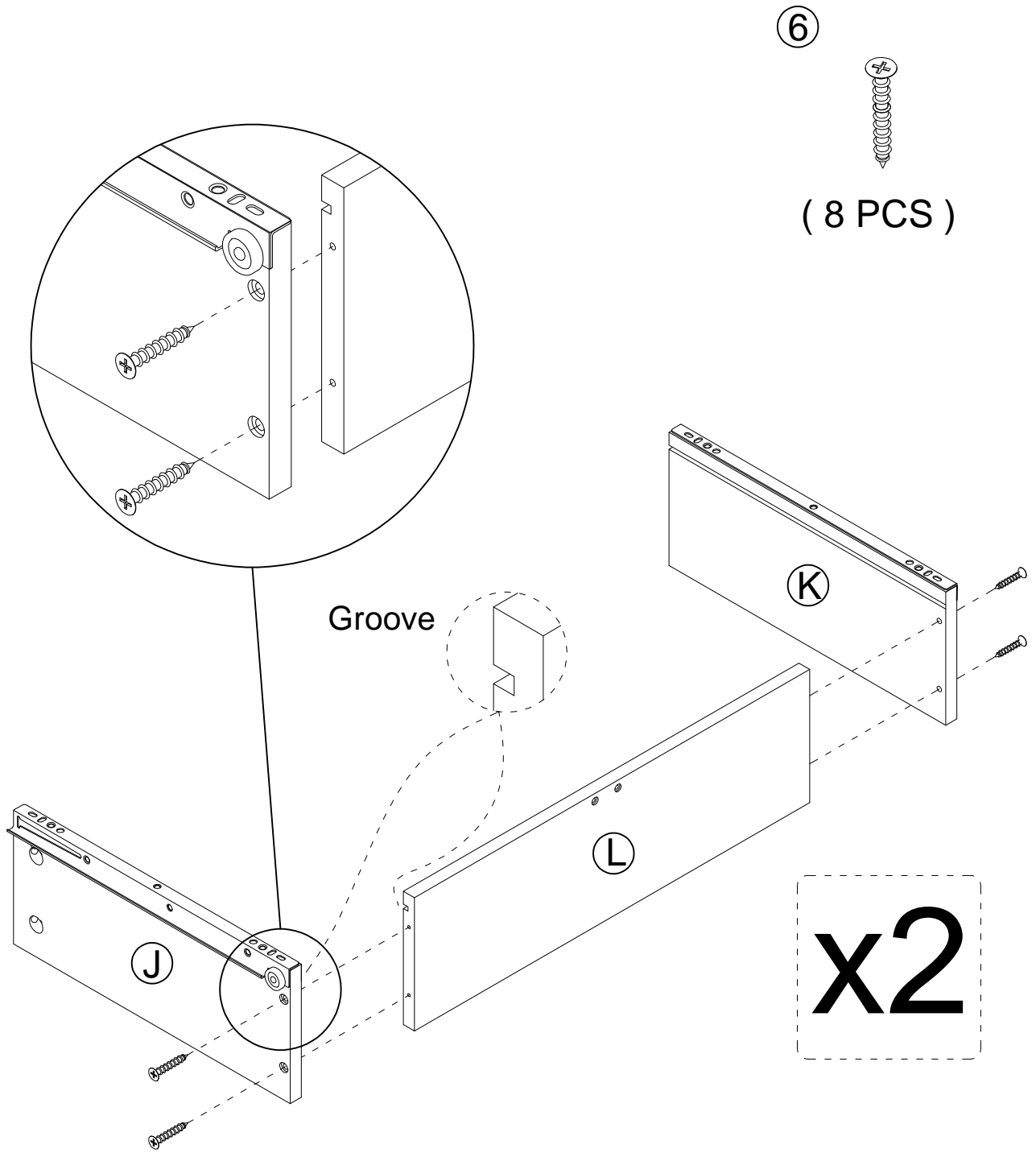


(13 PCS) (13 PCS) (10 PCS)



Step 9:

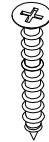
* Assemble the LEFT/RIGHT DRAWER BACK PANE(L) to the DRAWER LEFT PANEL (J) and DRAWER RIGHT PANEL (K) by the SCREW (6) .



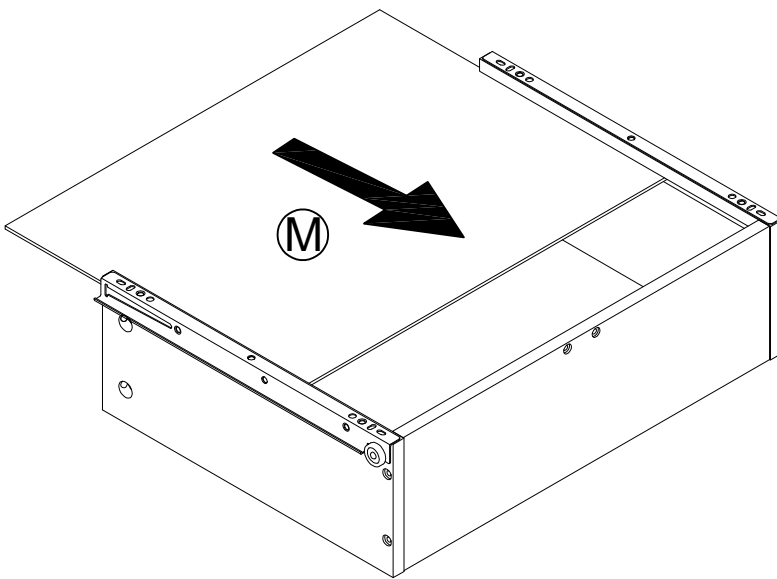
Step 10:

- * Slide in the LEFT/RIGHT DRAWER BOTTOM PANEL (M).
- * Assemble the DRAWER SUPPORT PANEL (I) to the DRAWER TRAY by the SCREW (6) .

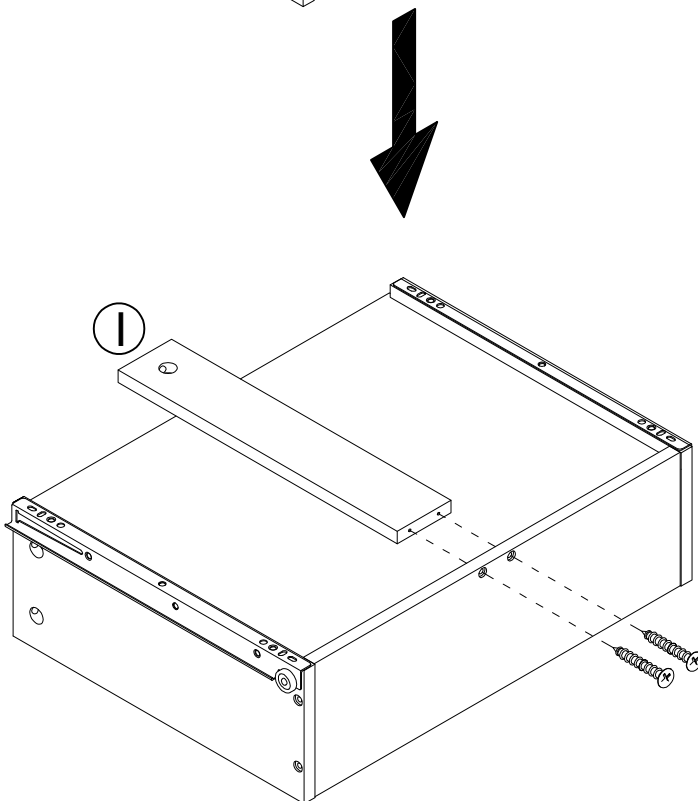
⑥



(4 PCS)



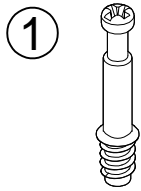
x2



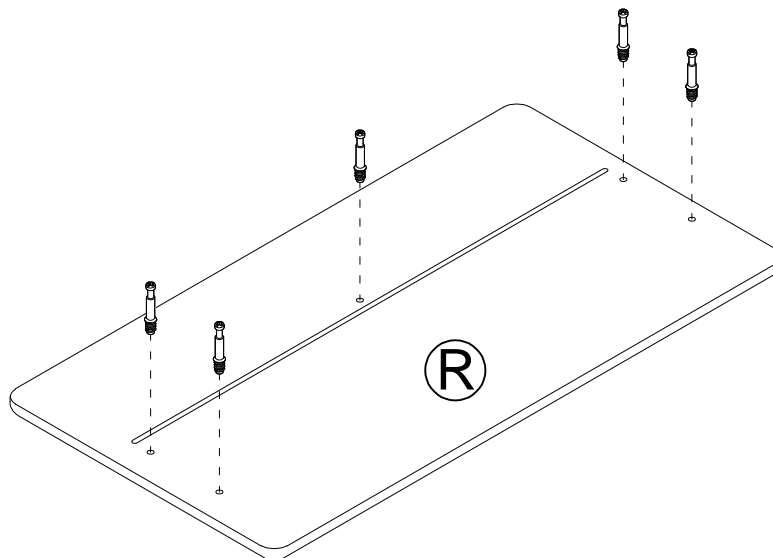
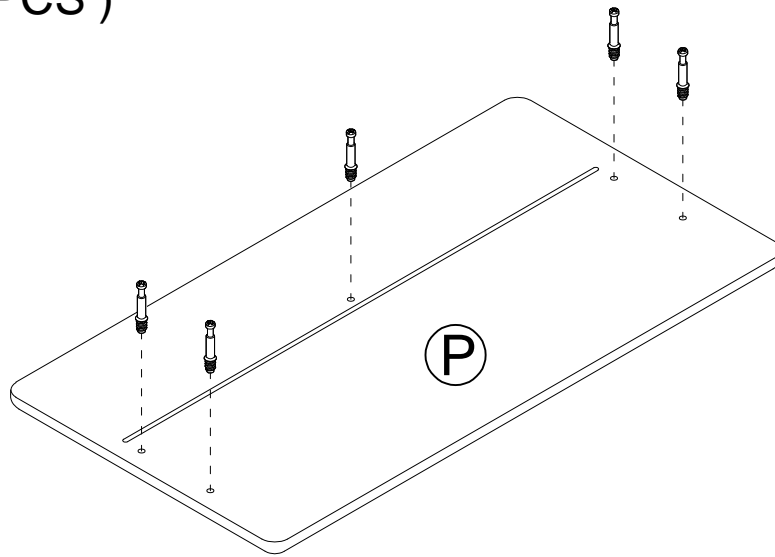
x2

Step 11:

* Insert Ten KD BOLT (1) to the DRAWER LEFT FRONT PANEL (P) and DRAWER RIGHT FRONT PANEL (R).

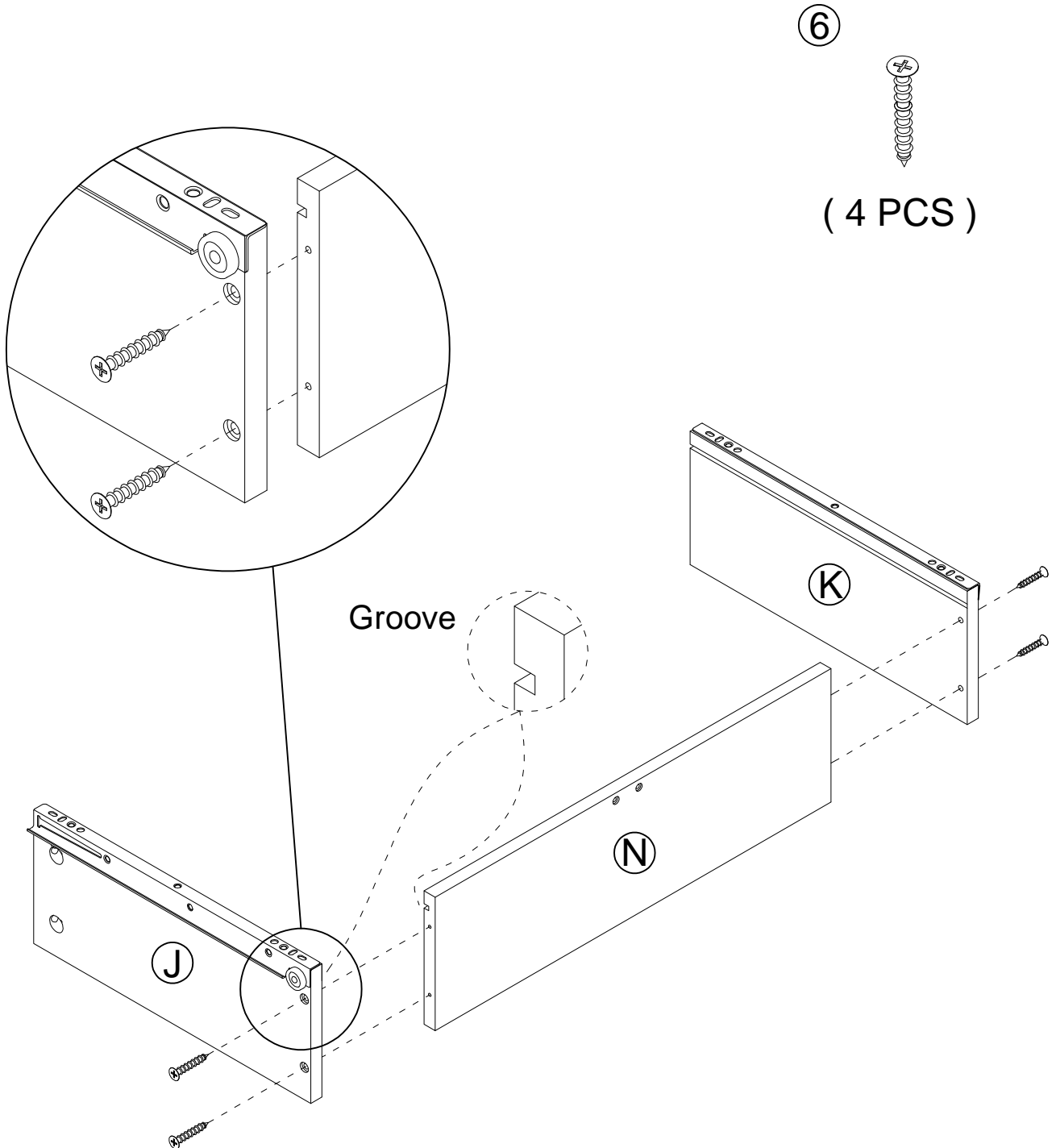


(10 PCS)



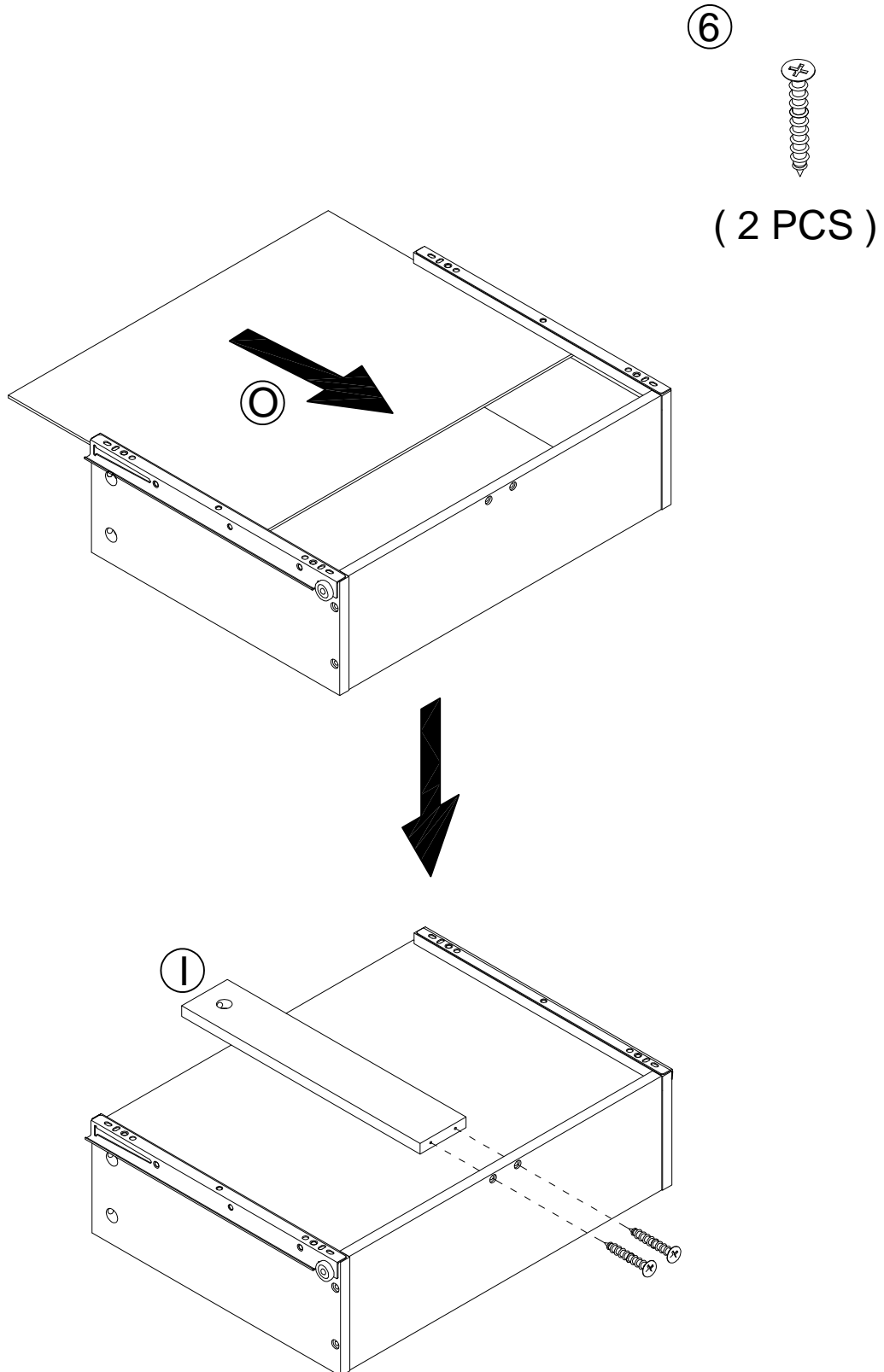
Step 13:

* Assemble the MIDDLE DRAWER BACK PANEL (N) to the DRAWER LEFT PANEL (J) and DRAWER RIGHT PANEL (K) by the SCREW (6) .



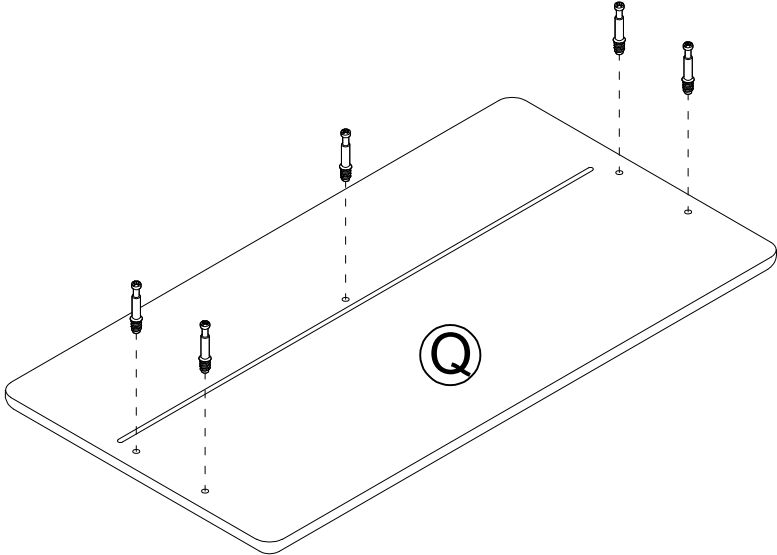
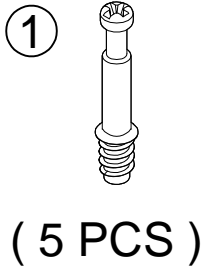
Step 14:

- * Slide in the MIDDLE DRAWER BOTTOM PANEL (O).
- * Assemble the DRAWER SUPPORT PANEL (I) to the DRAWER TRAY by the SCREW (6) .



Step 15:

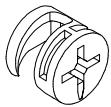
* Insert Five KD BOLT (1) to the DRAWER MIDDLE FRONT PANEL (Q).



Step 16:

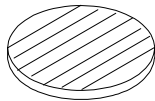
* Assemble the DRAWER MIDDLE FRONT PANEL (Q) to the DRAWER TRAY by the Five KD SMALL CAM (5) and Five COVER CAP (3).

⑤

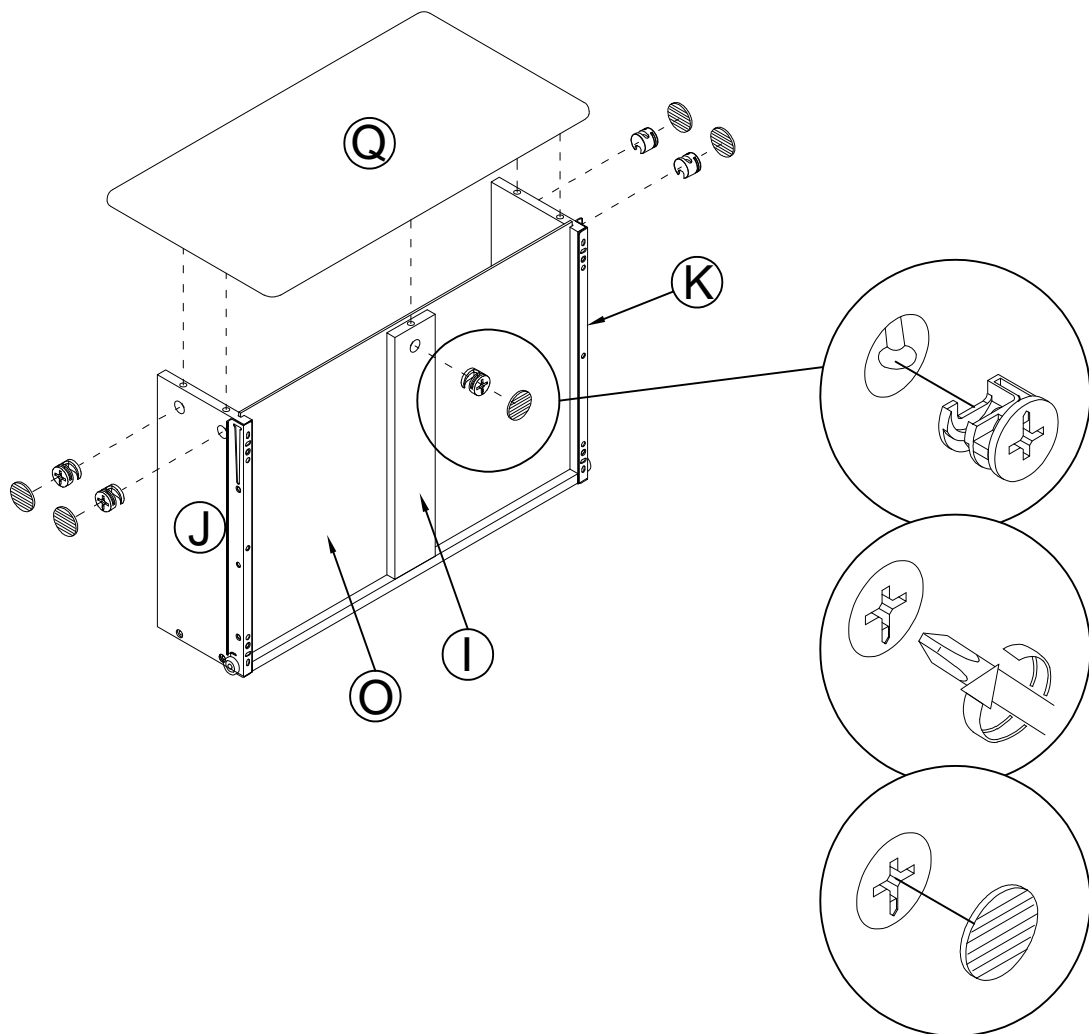


(5 PCS)

③

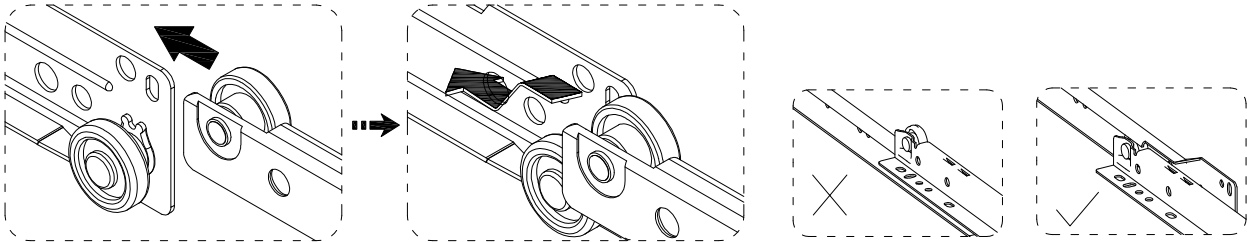
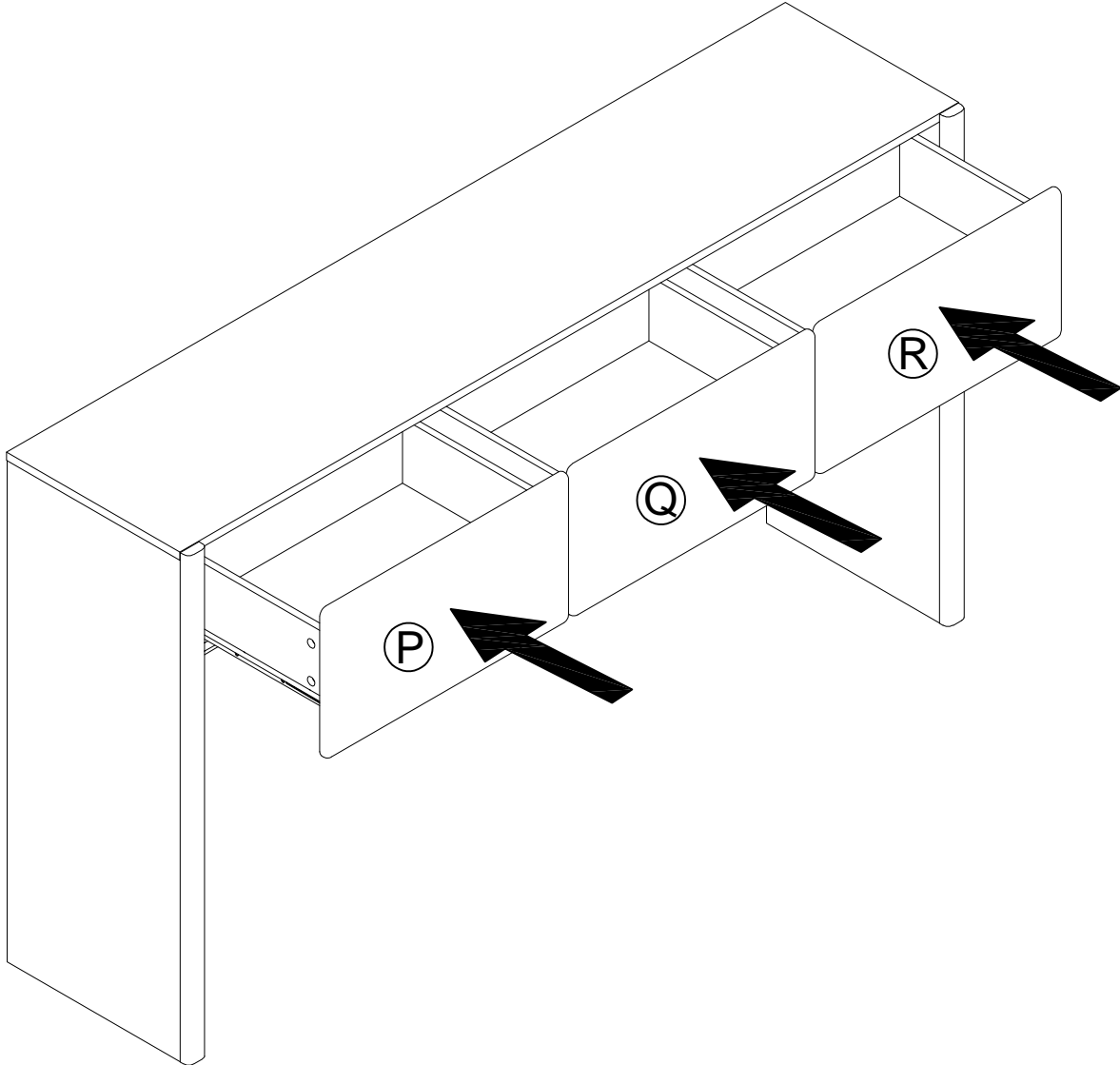


(5 PCS)



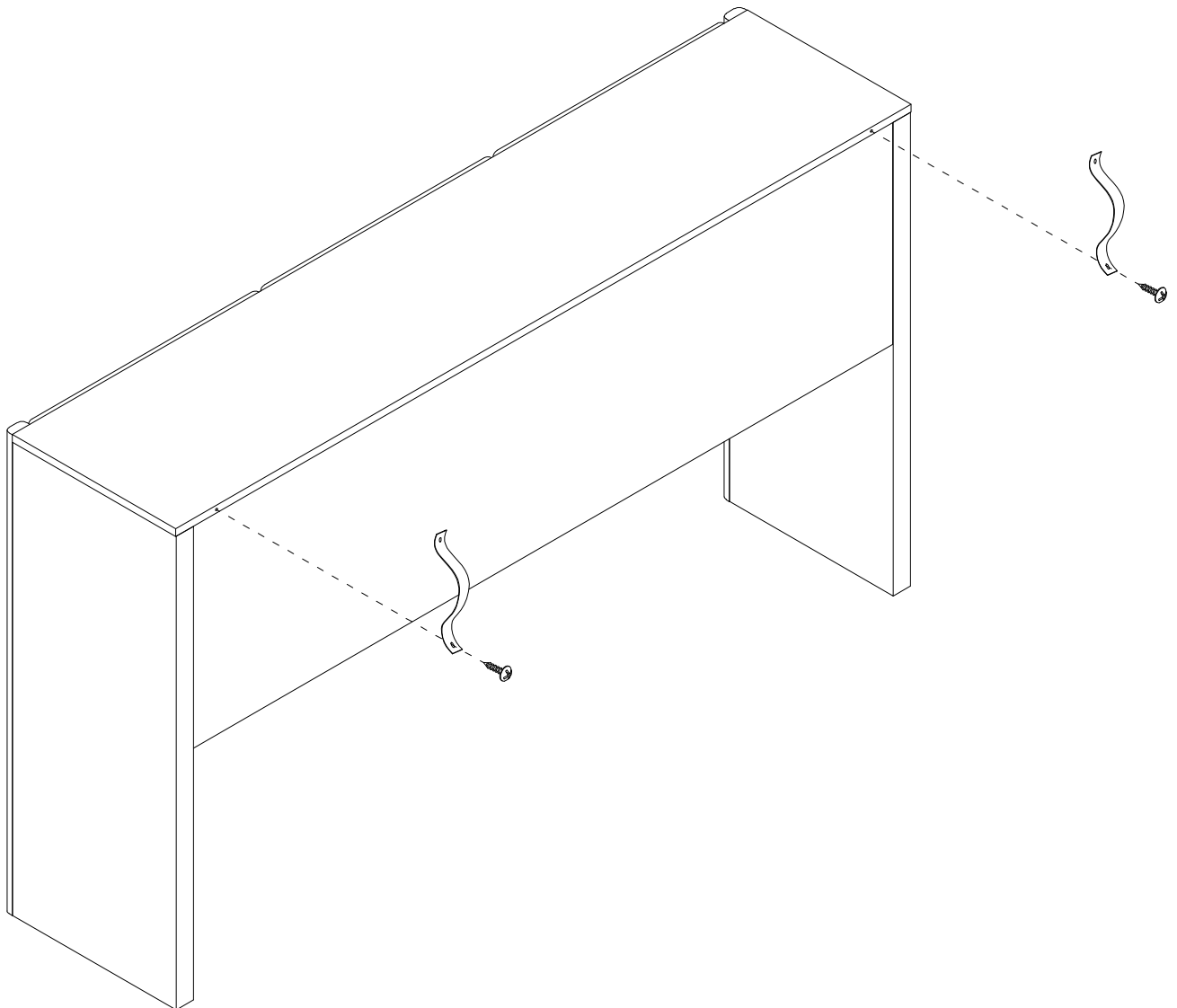
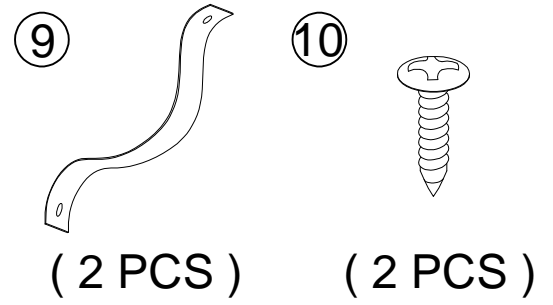
Step 17:

*Input Three Drawer tray to the stand.



Step 18:

* Attach anti-tipping straps to the back of the stand.



Step 19:

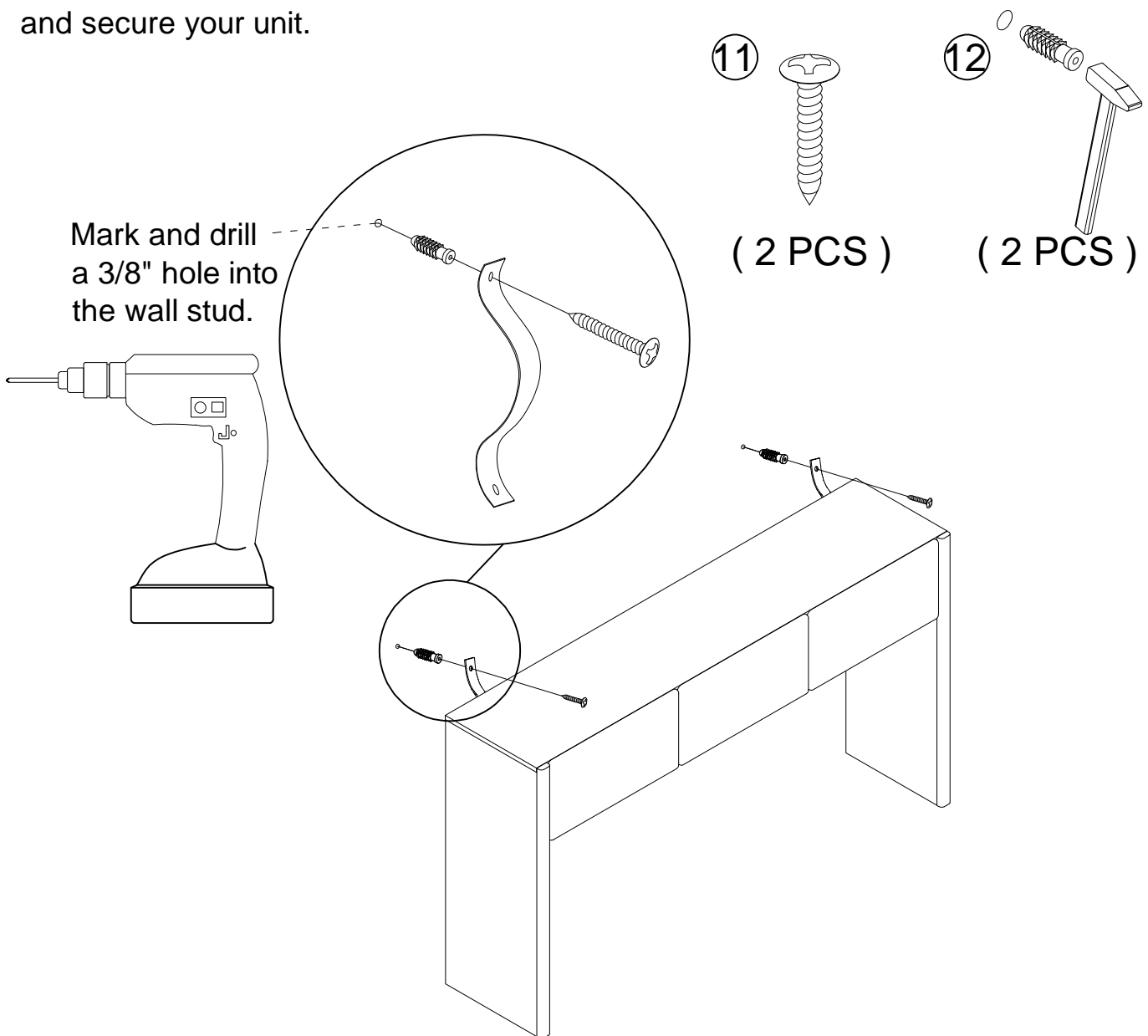
1st- With your pencil, strike a mark through the center of the hole in the SAFETY STRAP.

2nd- Drill a 3/8" hole on the mark.

3rd- FURNITURE TIPPING RESTRAINT KIT (12) into the hole until it is even with the surface of the wall.

4th- Turn the LONG SCREW through the hole in the SAFETY STRAP and into the WALL ANCHOR.

NOTE: You will need to turn the LONG SCREW multiple turns to completely tighten and secure your unit.





WARRANTY POLICY

All Manhattan Comfort furniture products are warranted, to the original purchaser at the time of purchase and for a period of 30 days thereafter.

Our warranty is limited to new products purchased in factory sealed cartons. This warranty is valid in the United States of America and Canada.

In order to provide you with timely assistance, please thoroughly inspect your furniture for missing or defective parts immediately after opening the carton.

Manhattan Comfort offers a 30-day parts replacement warranty on all items.

Our furniture products are not intended for outdoor use.

THE WARRANTY DOES NOT COVER:

- Defects/damages by improper assembly or disassembly.
- Defects/damages caused by shipping. Claims for damage during transit should be placed immediately to the transportation company.
- Defects/damages caused by inappropriate use of the furniture.



319 Ridge Rd. Dayton, NJ 08810

908-888-0818