

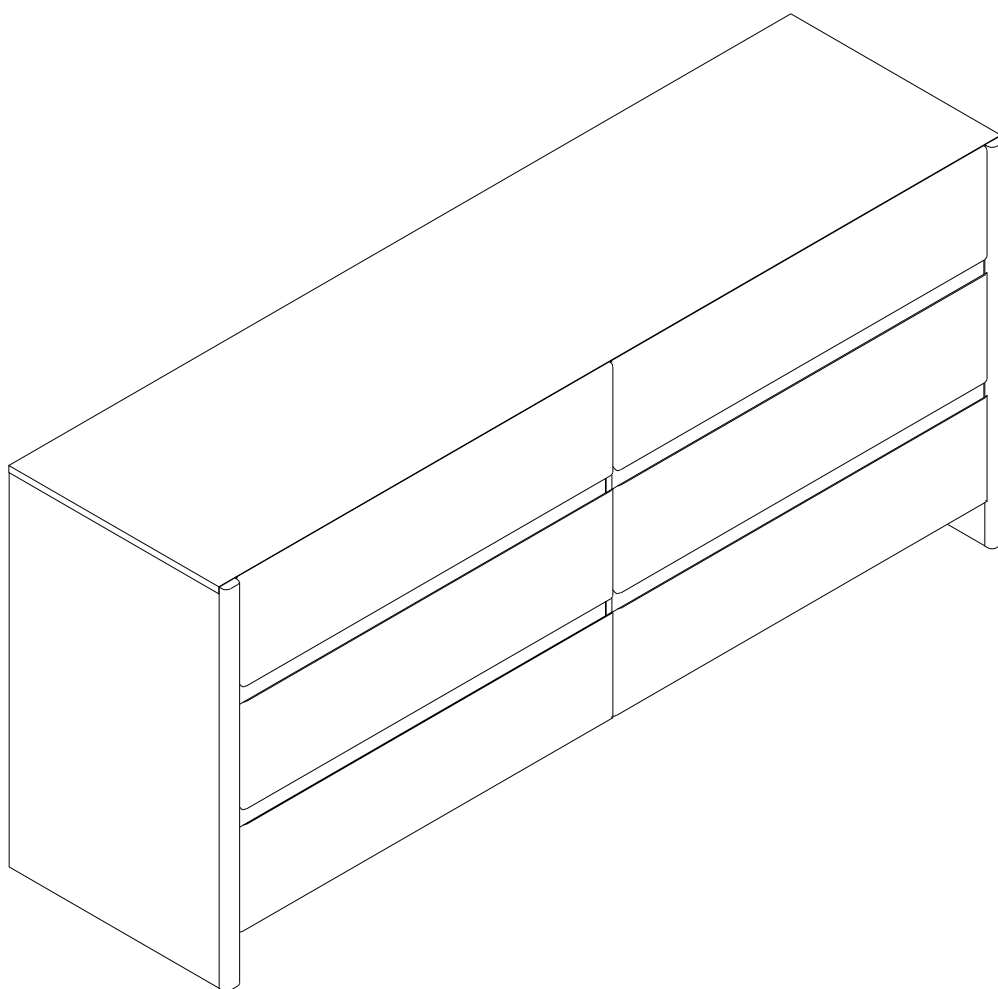


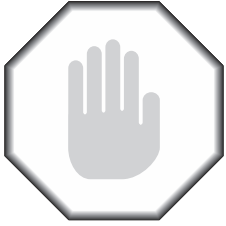
**MANHATTAN  
COMFORT**

---

**BR1658**

**DR011**



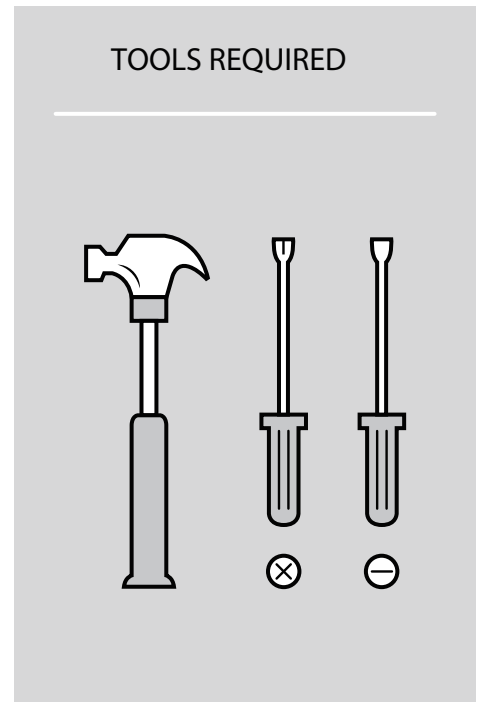
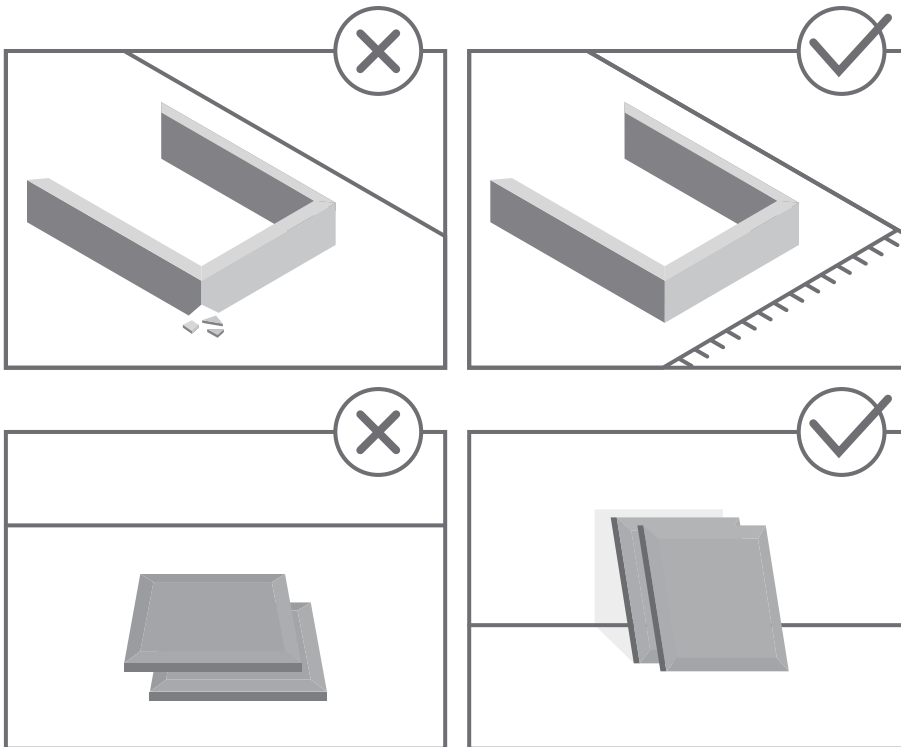


# STOP!

Before beginning the assembly process, ensure all boxes and parts have been delivered.

## FOR BEST RESULTS:

- Do not throw away packaging materials until assembly is complete.
- Assemble item on a soft surface, such as cardboard or carpet, to protect finish.
- Proper assembly requires two people.



View our assembly video online:  
[WWW.MANHATTANCOMFORT.COM](http://WWW.MANHATTANCOMFORT.COM)



Stuck? Question? We are here to help.  
tel: 908-888-0818  
e-mail: [help@manhattancomfort.com](mailto:help@manhattancomfort.com)

## Support Site



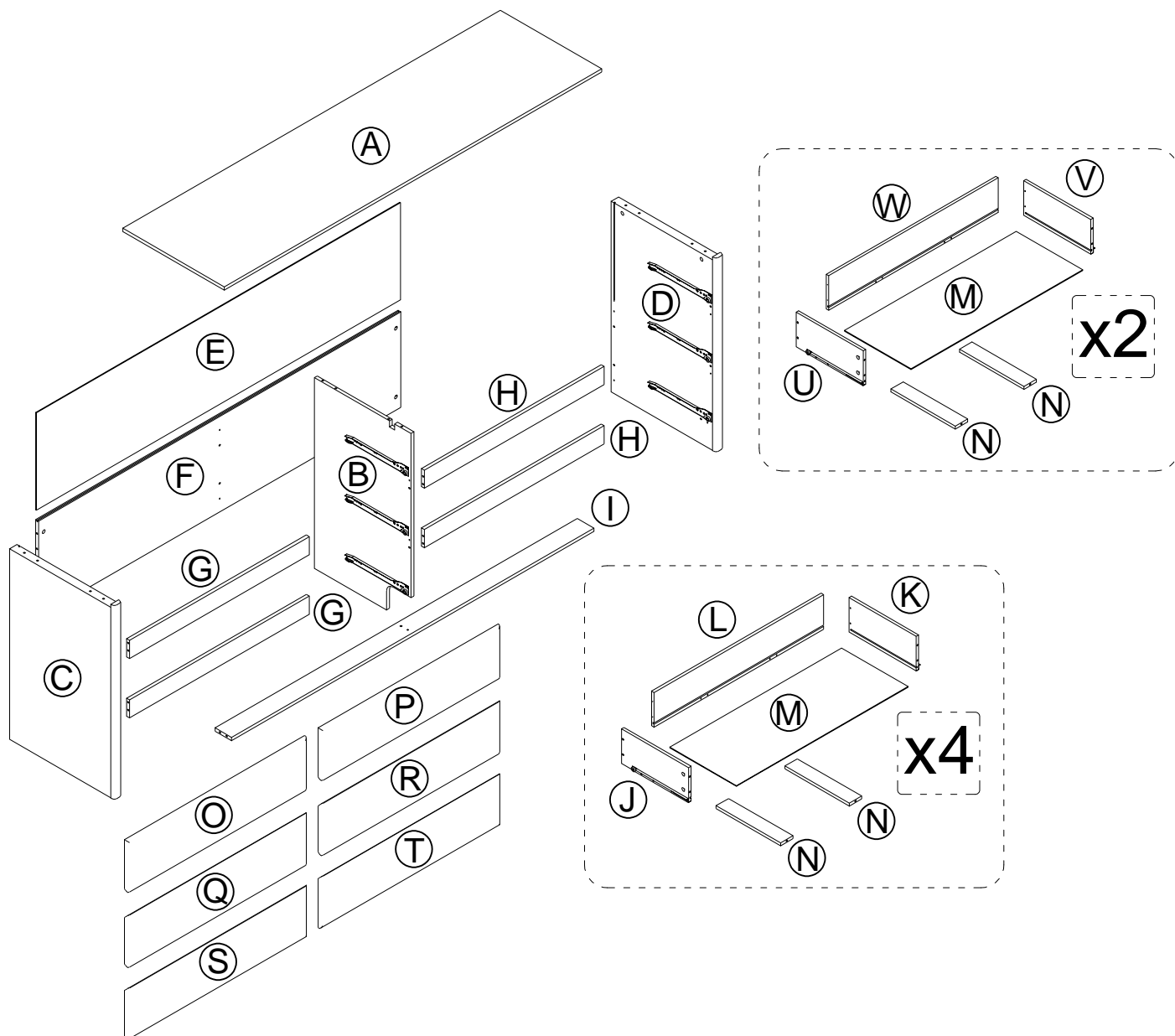
# Included in this package:

## BOX 01/02

- B. BETWEEN PANEL(1)
  - C. LEFT PANEL (1)
  - D. RIGHT PANEL (1)
  - J. LOWER DRAWER LEFT PANEL (4)
  - K. LOWER DRAWER RIGHT PANEL (4)
  - O. DRAWER LEFT FRONT UPPER PANEL (1)
  - P. DRAWER RIGHT FRONT UPPER PANEL (1)
  - Q. DRAWER LEFT FRONT MIDDLE PANEL (1)
  - R. DRAWER RIGHT FRONT MIDDLE PANEL (1)
  - S. DRAWER LEFT FRONT LOWER PANEL (1)
  - T. DRAWER RIGHT FRONT LOWER PANEL (1)
  - U. UPPER DRAWER LEFT PANEL (2)
  - V. UPPER DRAWER RIGHT PANEL (2)
- ALL HARDWARE ARE IN **BOX 01/02**

## BOX 02/02

- A. TOP PANEL(1)
- E. BACK UPPER PANEL (1)
- F. BACK LOWER PANEL (1)
- G. FRONT LEFT UPPER PANEL(2)
- H. FRONT RIGHT UPPER PANEL(2)
- I. FRONT LOWER PANEL (1)
- L. LOWER DRAWER BACK PANEL (4)
- M. DRAWER BOTTOM PANEL (6)
- N.DRAWER SUPPORT PANEL (12)
- W. UPPER DRAWER BACK PANEL (2)

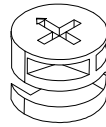


# Hardware Identification

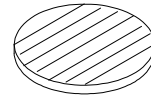
- ① KD BOLT - 58pcs  
L=35mm



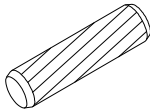
- ② KD LARGE CAM - 22pcs  
Ø15\*11mm



- ③ COVER CAP - 58pcs



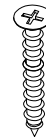
- ④ WOOD DOWEL - 23pcs  
Ø8\*30mm



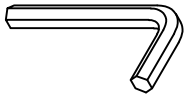
- ⑤ KD SMALL CAM - 36pcs  
Ø15\*9mm



- ⑥ SCREW - 48pcs  
Ø4\*38mm



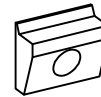
- ⑦ LOCK - 1pc



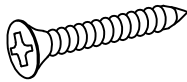
- ⑧ SCREW - 1pc  
Ø6\*50mm



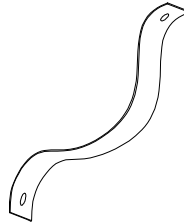
- ⑨ PLASTIC WEDGE - 10pcs



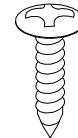
- ⑩ SCREW - 10pcs  
Ø3\*17mm



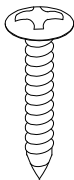
- ⑪ STRAPS - 2pcs



- ⑫ SCREW - 2pcs  
Ø4\*18mm



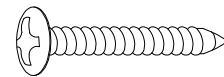
- ⑬ SCREW - 2pcs  
Ø4\*25mm



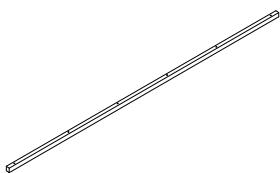
- ⑭ PLASTIC - 2pcs

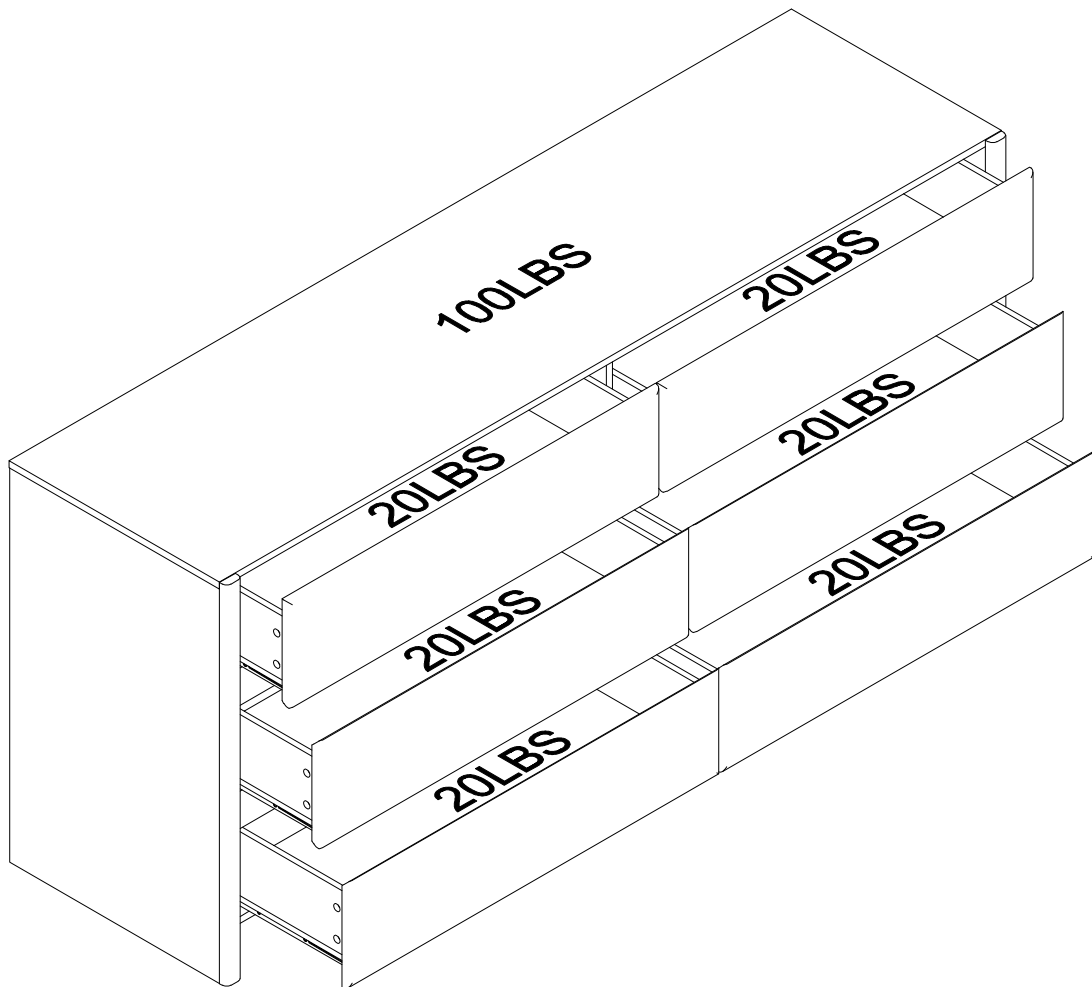


- ⑮ SCREW - 6pcs  
Ø4\*40mm



- ⑯ METAL BAR - 1pc

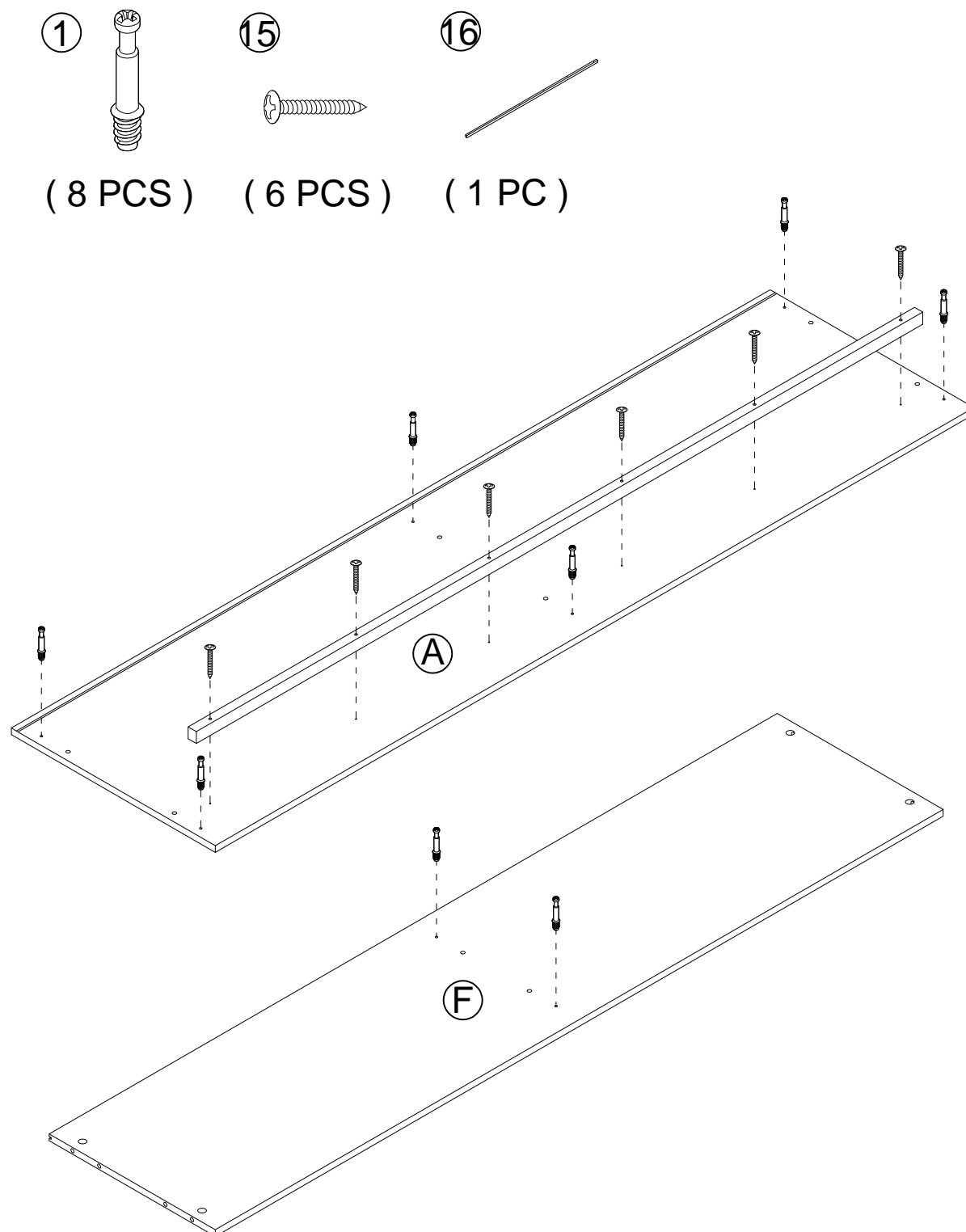




# Step 1:

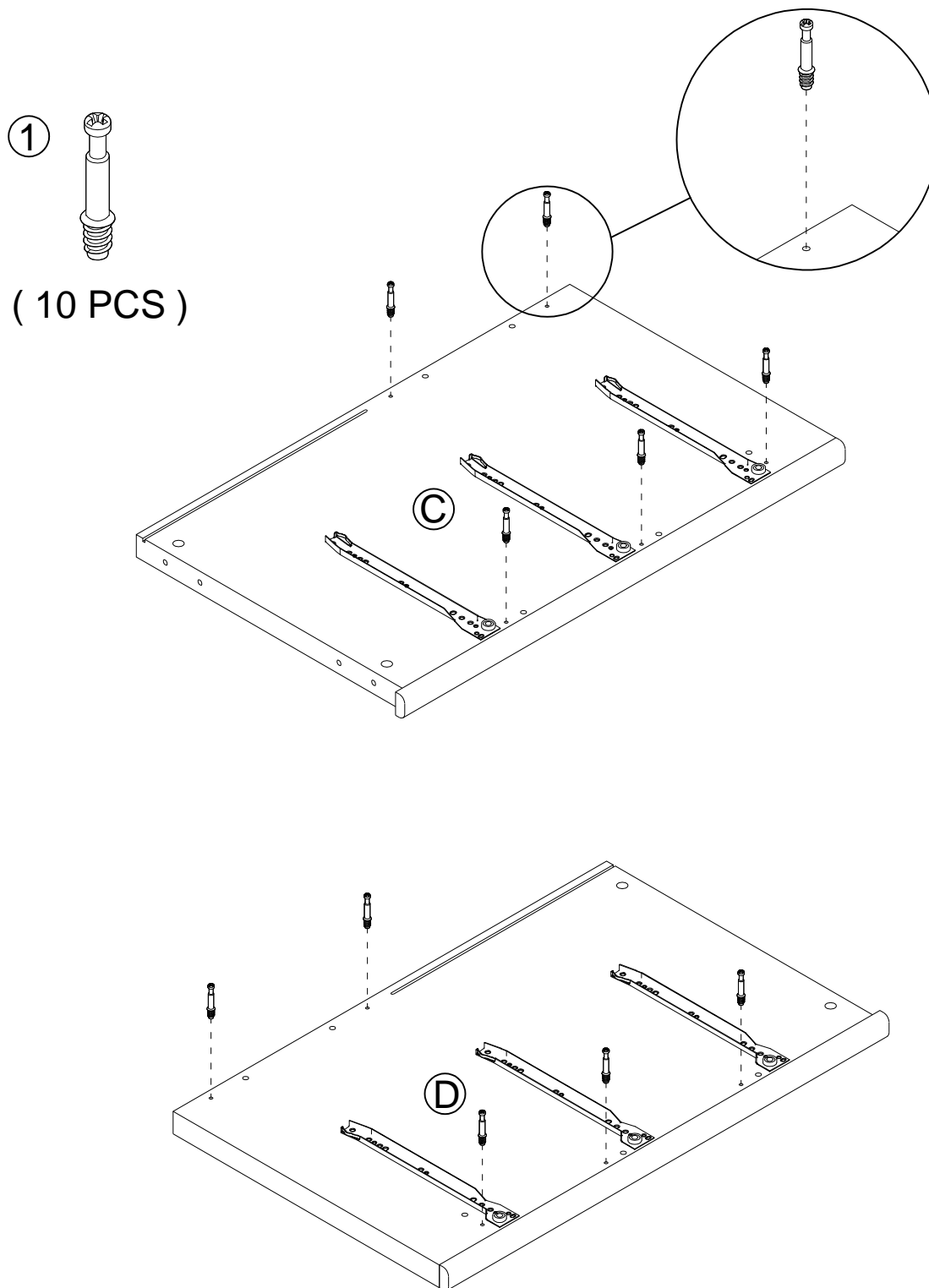
\* Insert Eight KD BOLT (1) to the TOP PANEL (A) and BACK LOWER PANEL(F).

\* Assemble the METAL BAR(16) to the TOP PANEL(A) by the SCREW (15) .



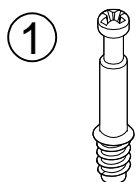
## Step 2:

\* Insert Ten KD BOLT (1) to the LEFT PANEL (C) and RIGHT PANEL (D).

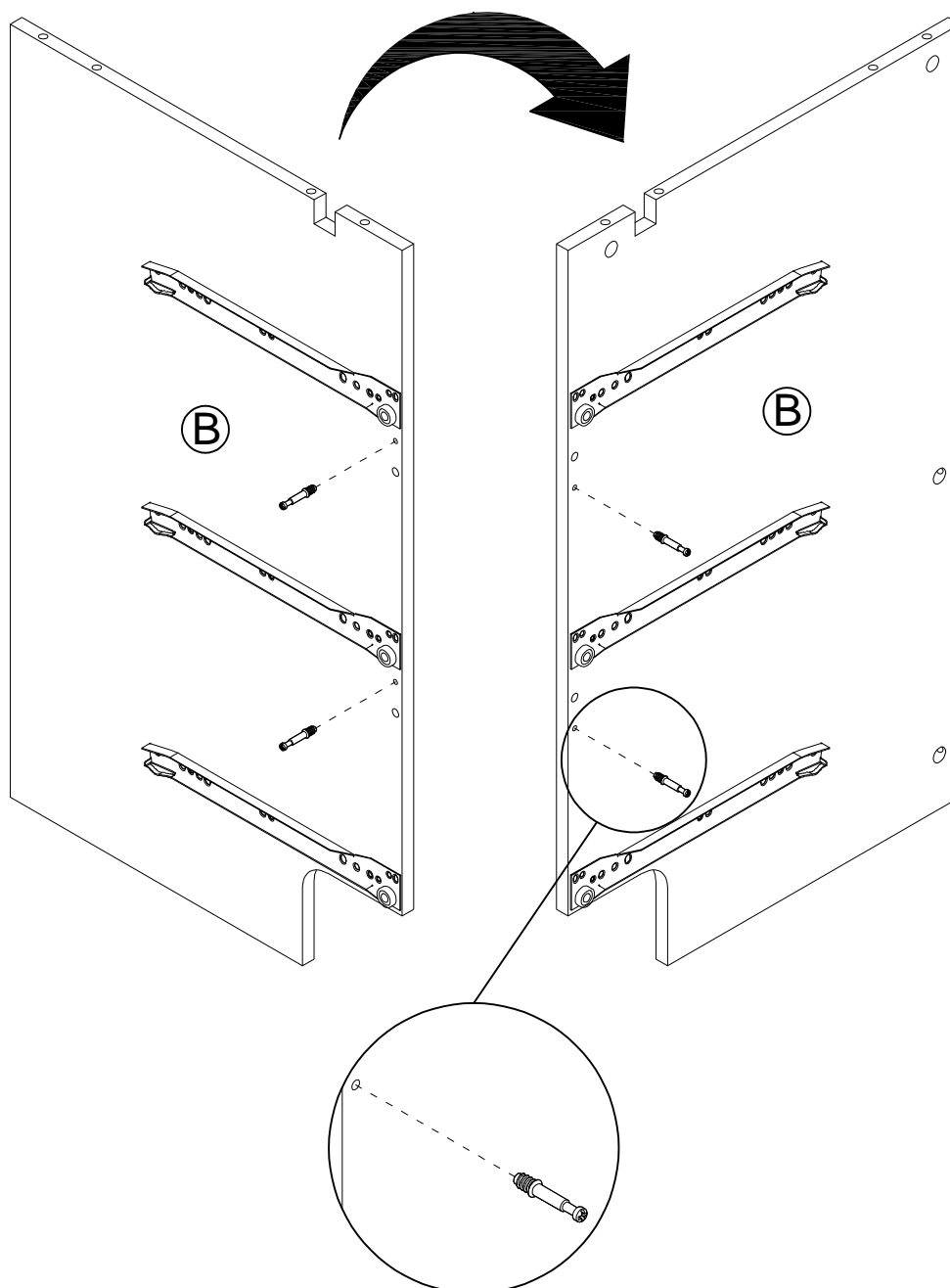


# Step 3:

\* Insert Four KD BOLT (1) to the both side of BETWEEN PANEL(B).



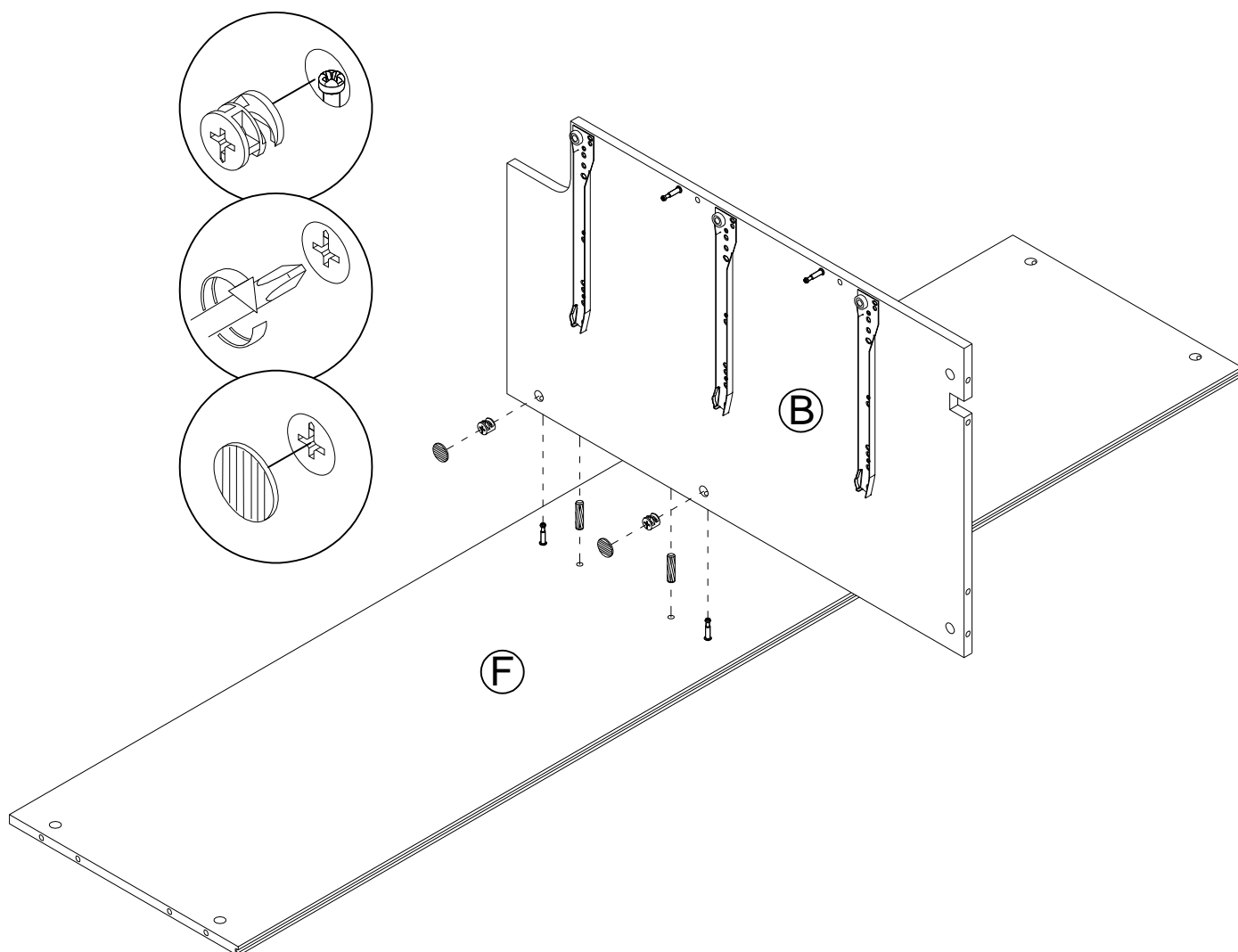
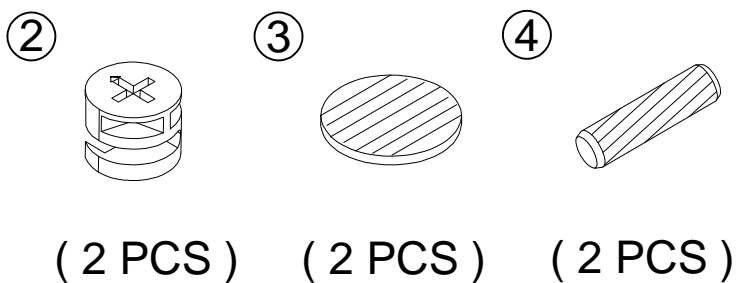
( 4 PCS )



## Step 4:

---

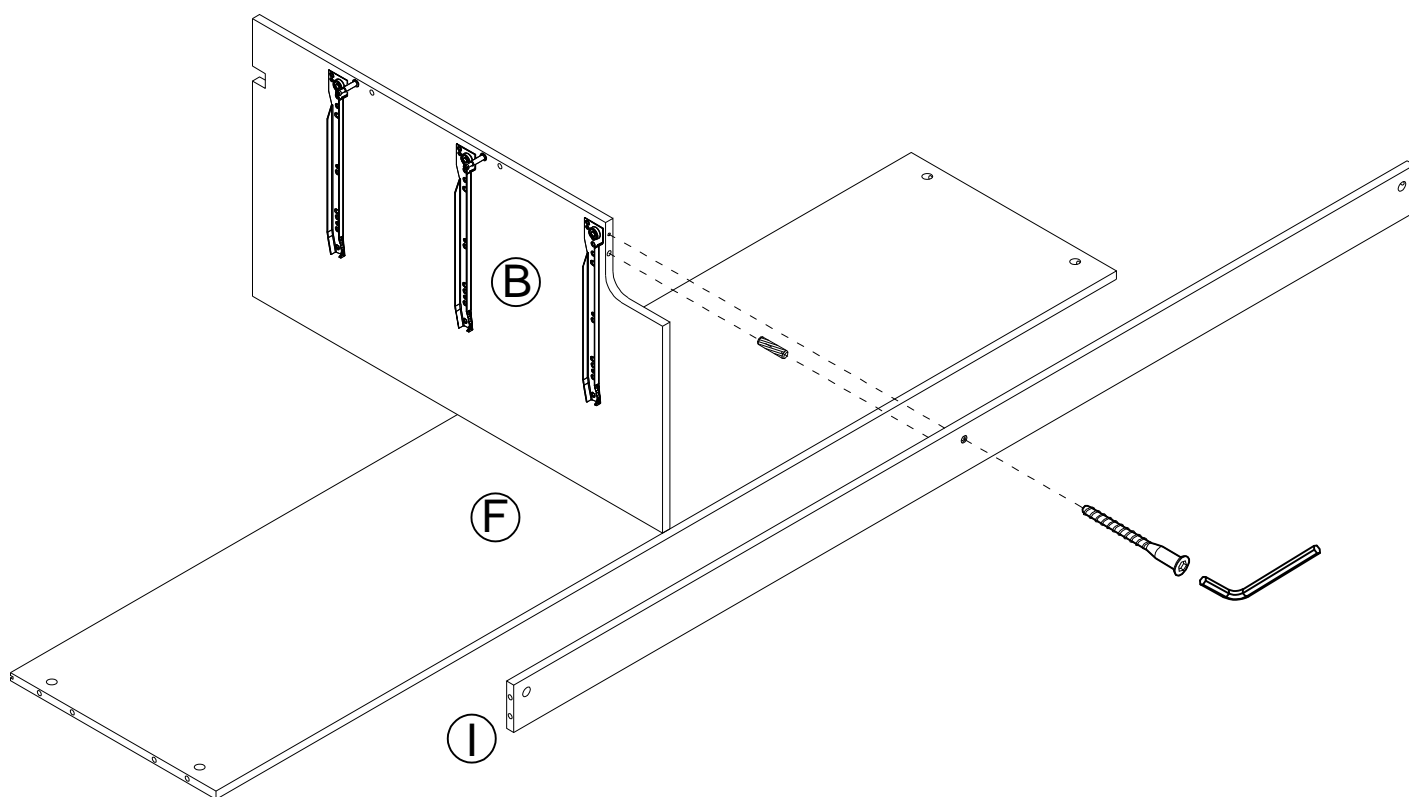
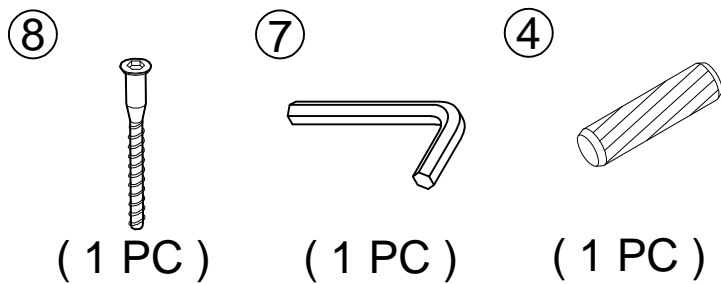
\* Attach the BETWEEN PANEL(B) to the BACK LOWER PANEL(F) by the Two KD LARGE CAM (2) , Two COVER CAP (3) and Two WOOD DOWEL (4) .



## Step 5:

---

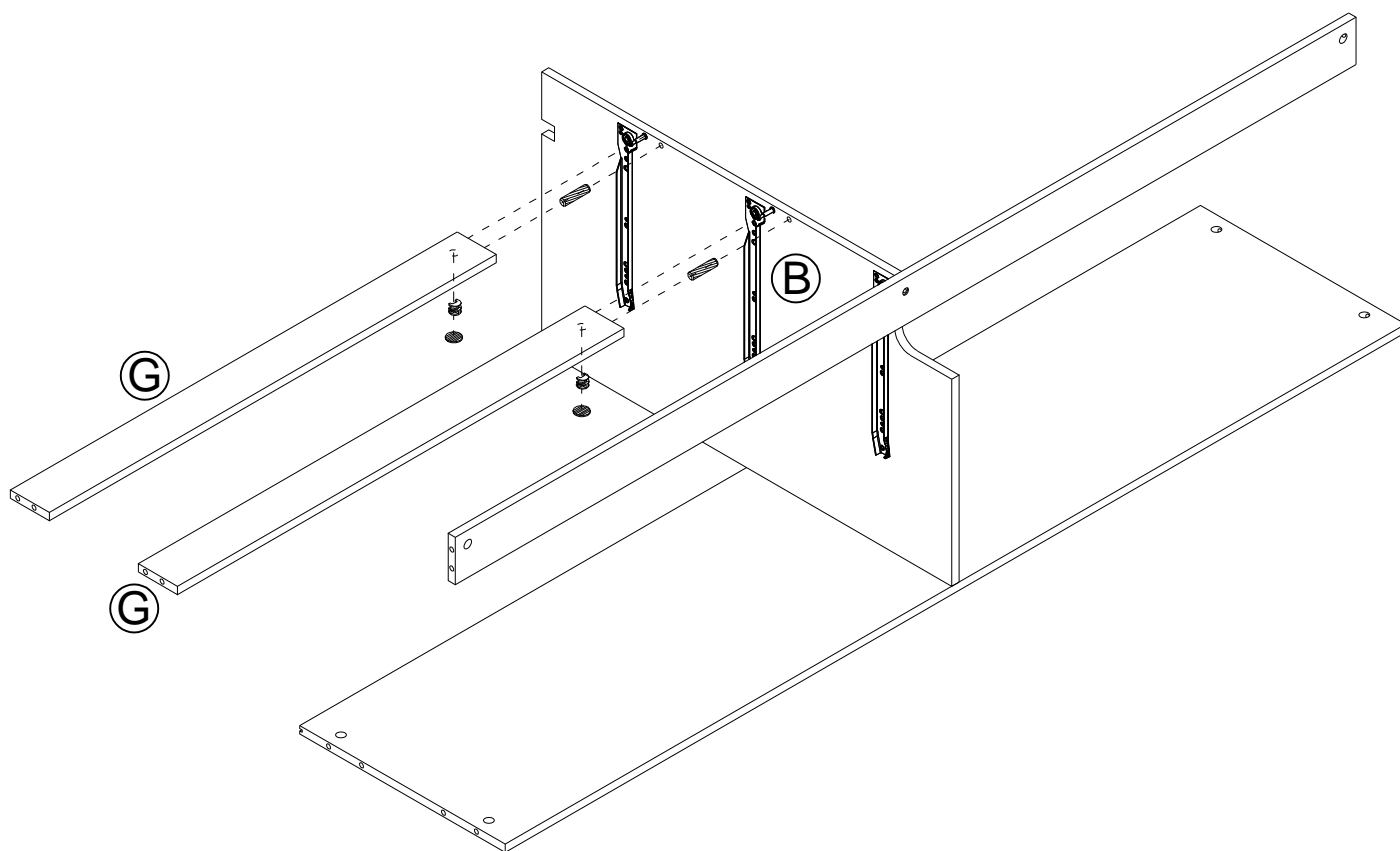
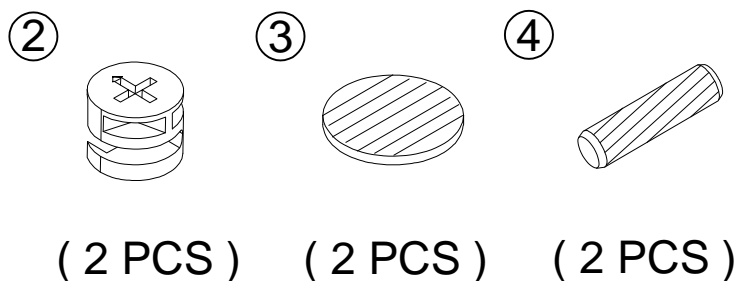
\* Attach the FRONT LOWER PANEL (I) to the BETWEEN PANEL(B) by the One Screw(8), One WOOD DOWEL (4) and LOCK(7) .



## Step 6:

---

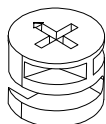
\* Attach the Two FRONT LEFT UPPER PANEL(G) to the BETWEEN PANEL(B) by the Two KD LARGE CAM (2) , Two COVER CAP (3) and Two WOOD DOWEL (4) .



## Step 7:

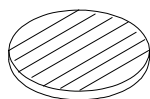
\* Attach the LEFT PANEL (C) to the Two FRONT LEFT UPPER PANEL(G) , FRONT LOWER PANEL (I) and BACK LOWER PANEL(F) by the Five KD LARGE CAM (2) , Five COVER CAP (3) and Five WOOD DOWEL (4) .

②



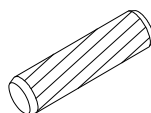
( 5 PCS )

③

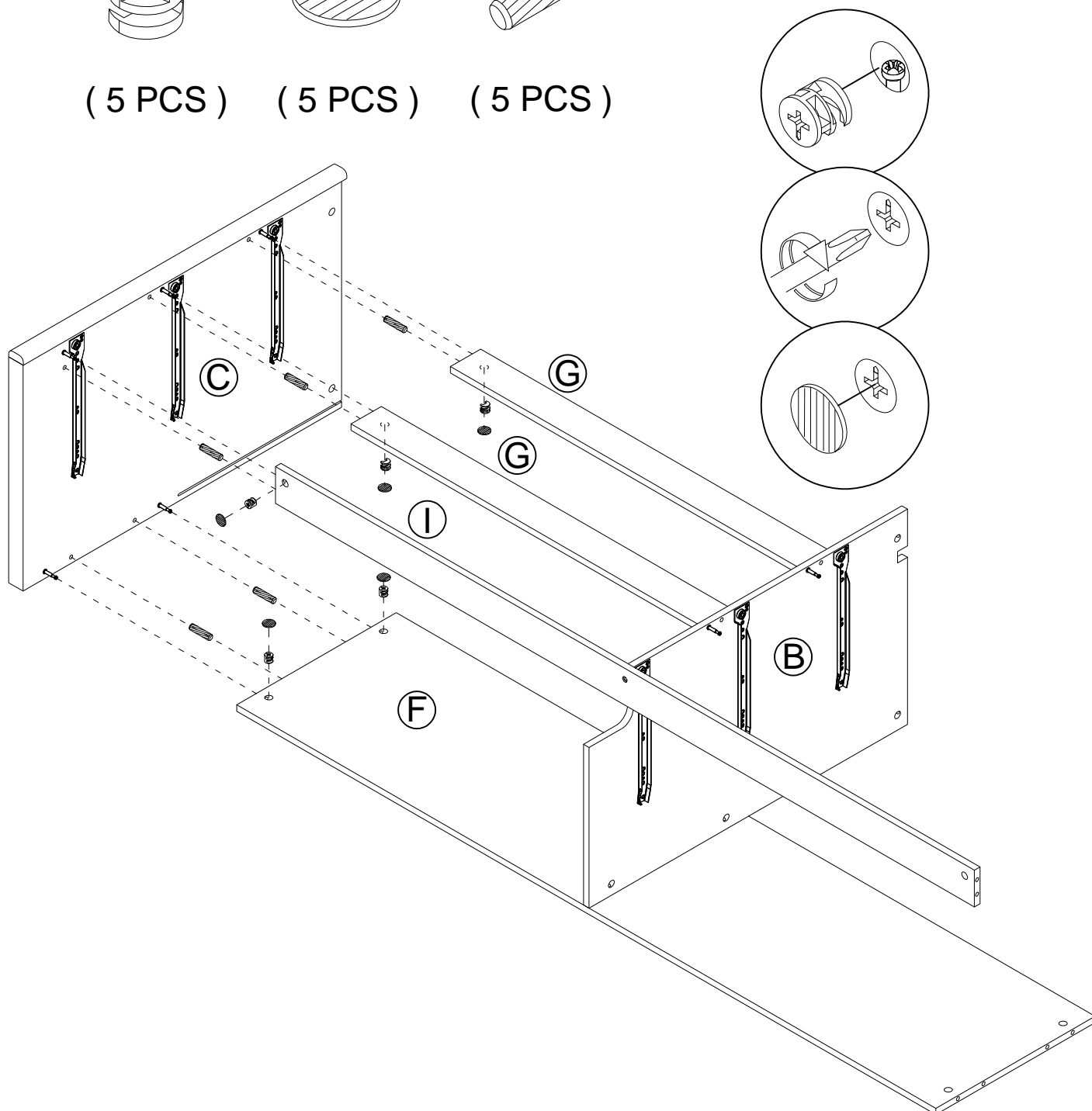


( 5 PCS )

④



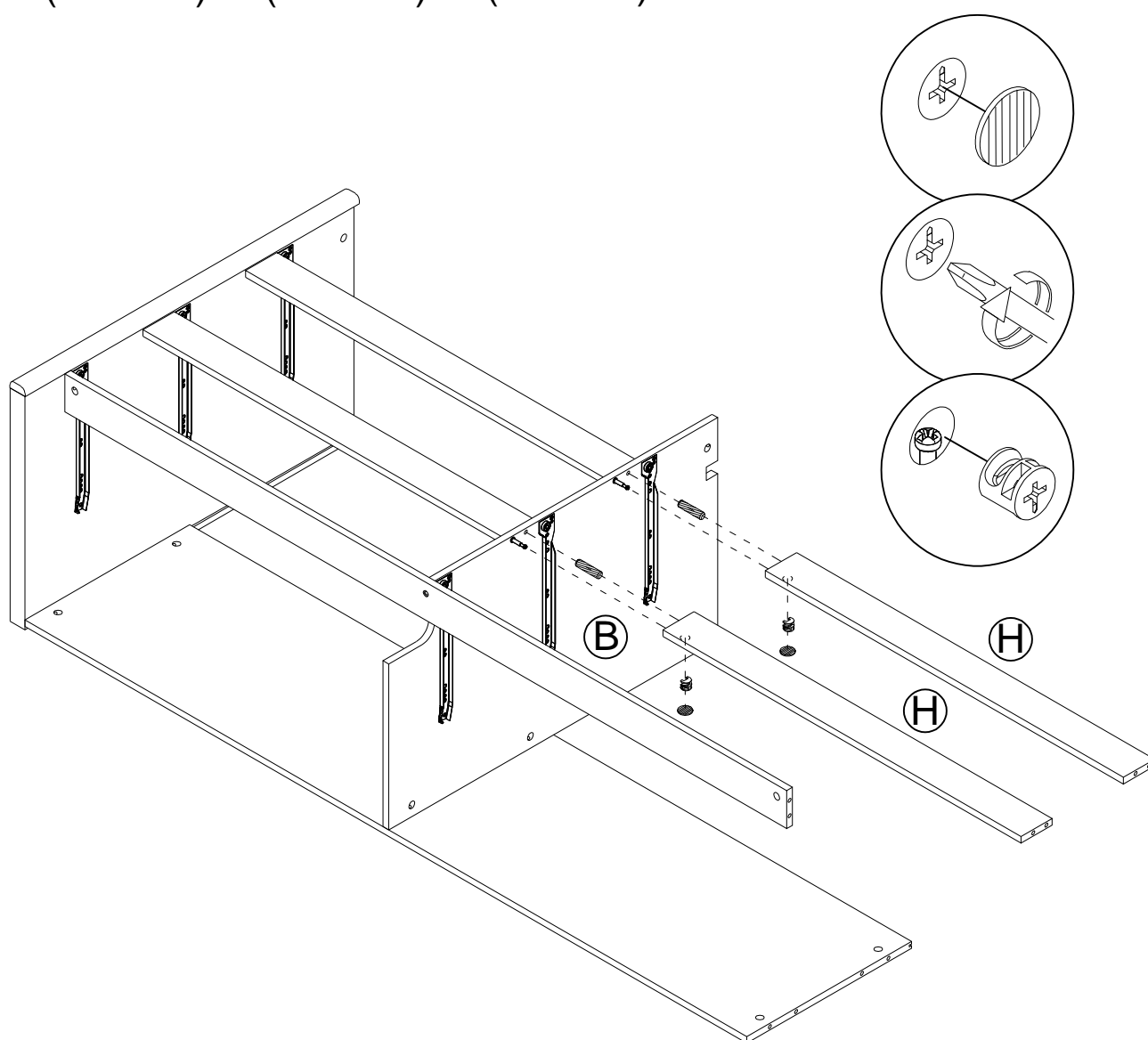
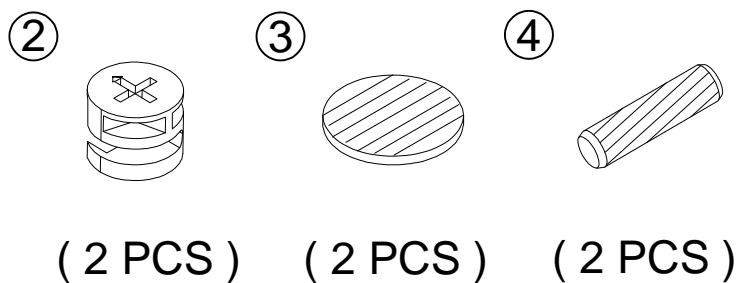
( 5 PCS )



## Step 8:

---

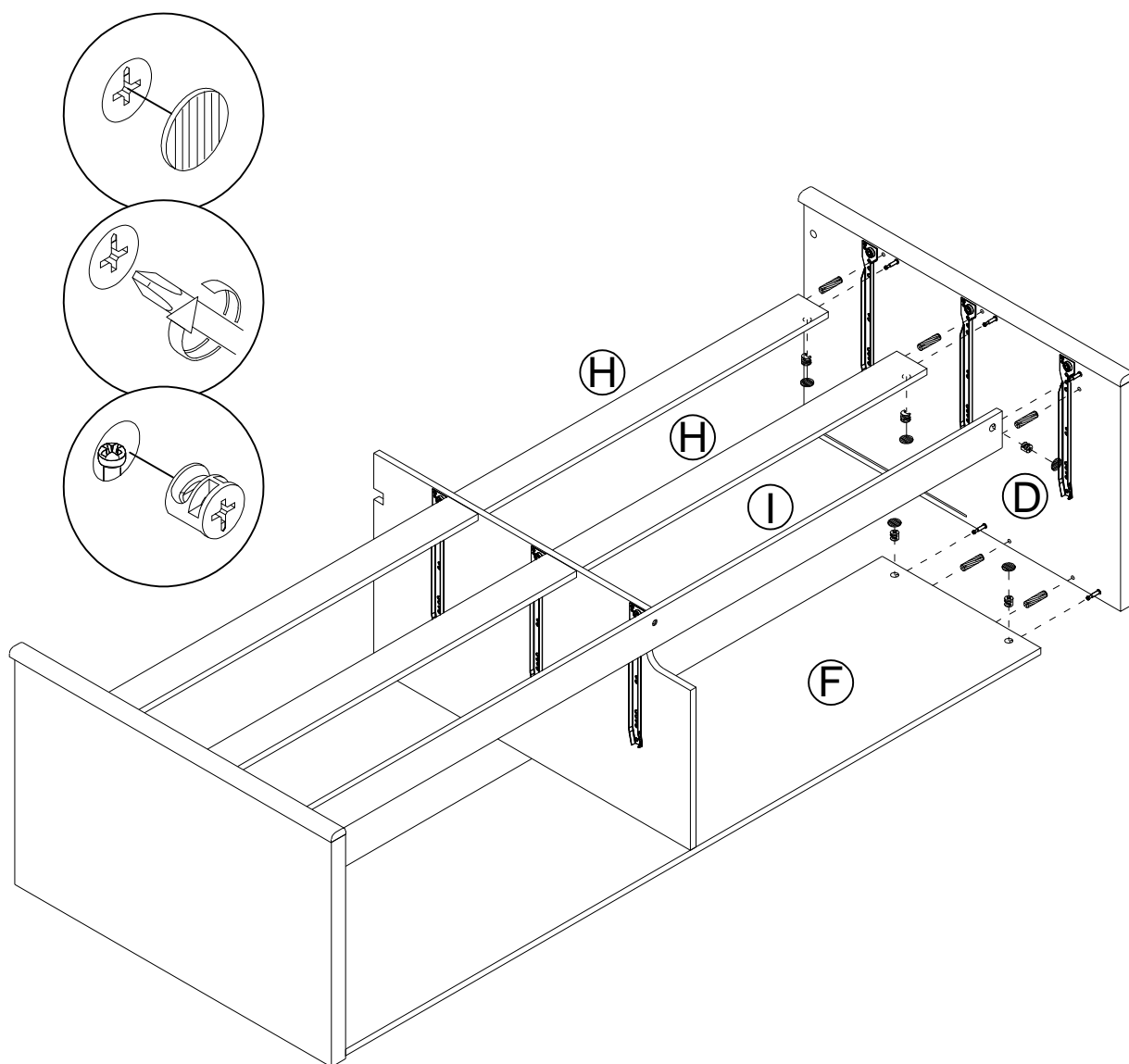
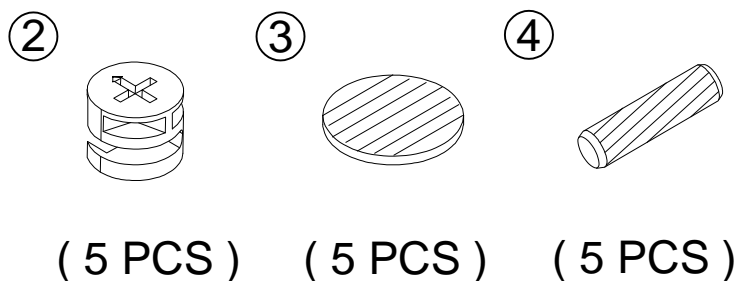
\* Attach the Two FRONT RIGHT UPPER PANEL(H) to the BETWEEN PANEL(B) by the Two KD LARGE CAM (2) , Two COVER CAP (3) and Two WOOD DOWEL (4) .



## Step 9:

---

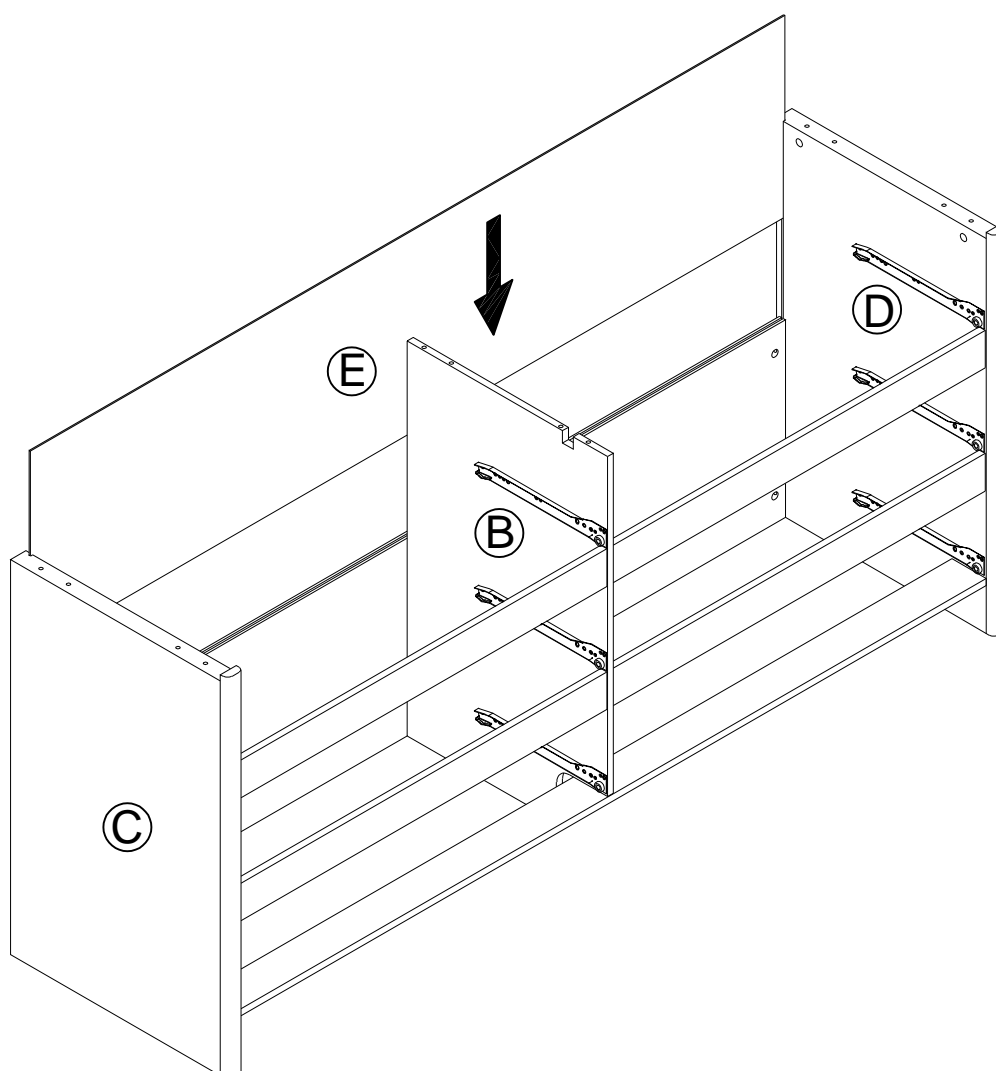
\* Attach the RIGHT PANEL (D) to the Two FRONT RIGHT UPPER PANEL(H) , FRONT LOWER PANEL (I) and BACK LOWER PANEL(F) by the Five KD LARGE CAM (2) , Five COVER CAP (3) and Five WOOD DOWEL (4) .



## Step 10:

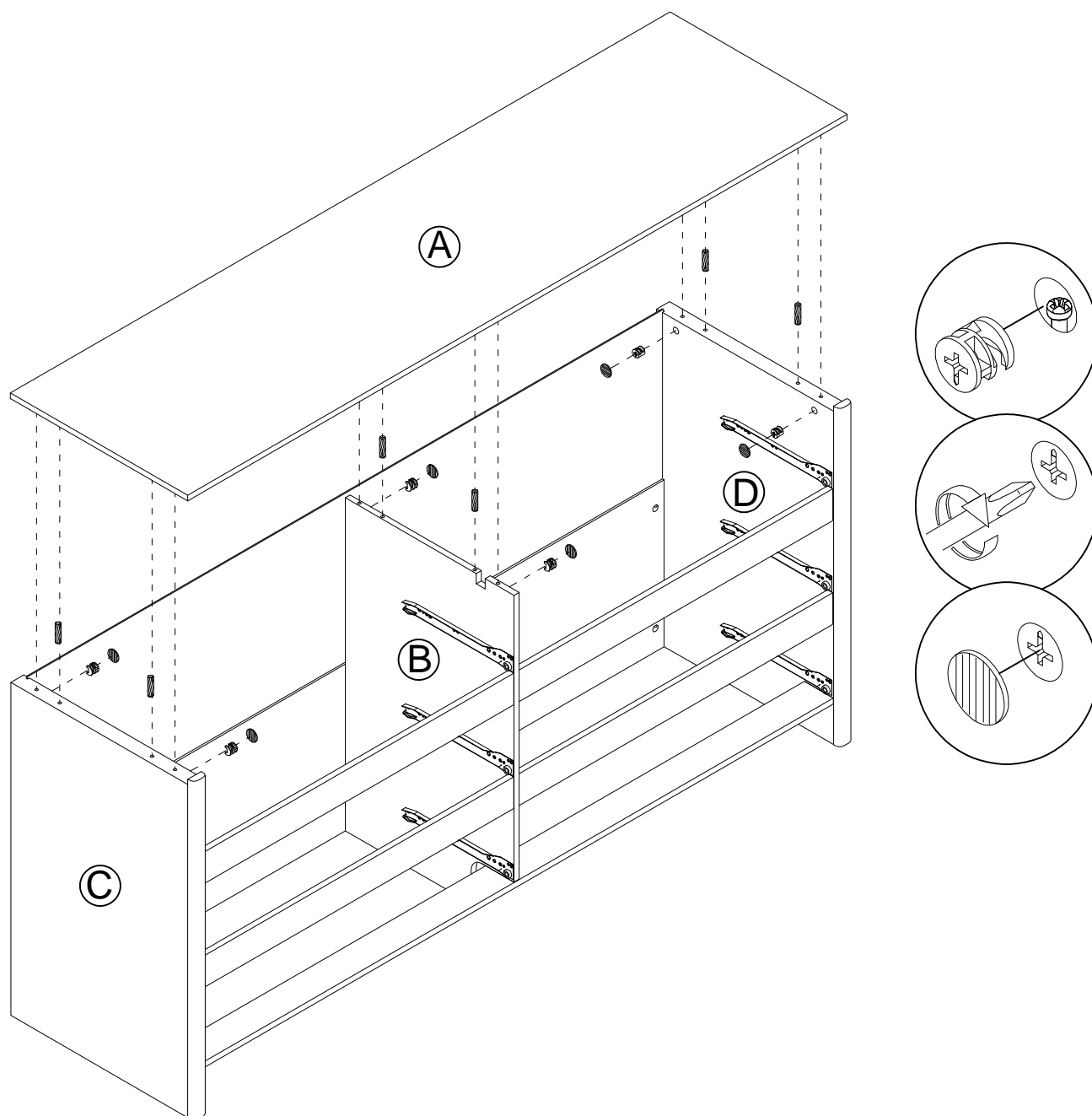
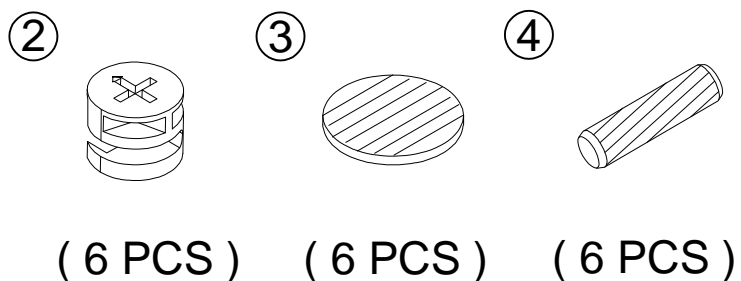
---

\* Insert the BACK UPPER PANEL(E) to the stand.



# Step 11:

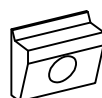
\* Attach the TOP PANEL(A) to the LEFT PANEL(C), RIGHT PANEL(D), BETWEEN PANEL (B) by the Six KD LARGE CAM (2) , Six COVER CAP (3) and Six WOOD DOWEL (4) .



## Step 12:

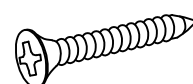
\* Insert Ten PLASTIC WEDGE(9) and Ten SCREW(10) to the BACK UPPER PANEL(E).

⑨

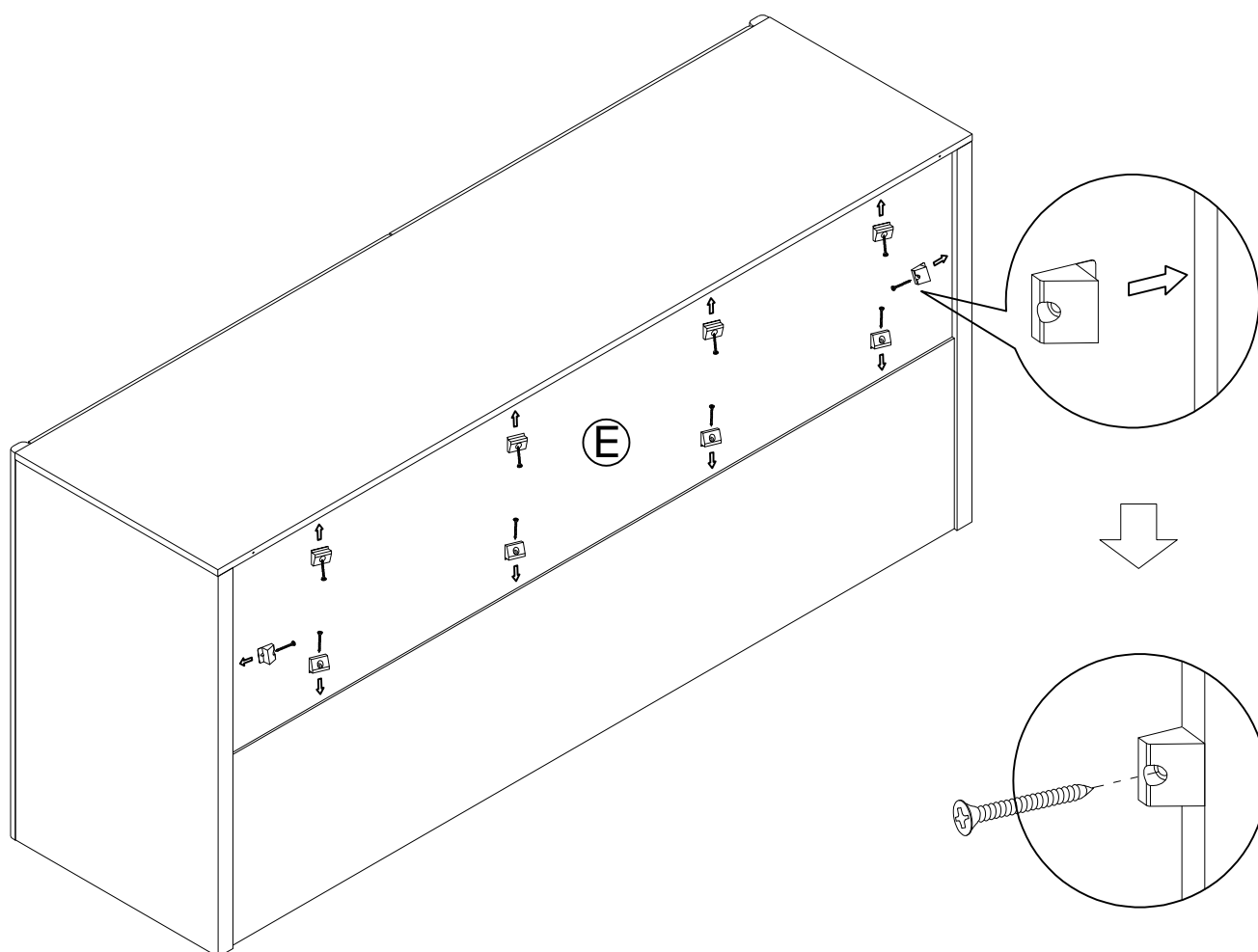


( 10 PCS )

⑩

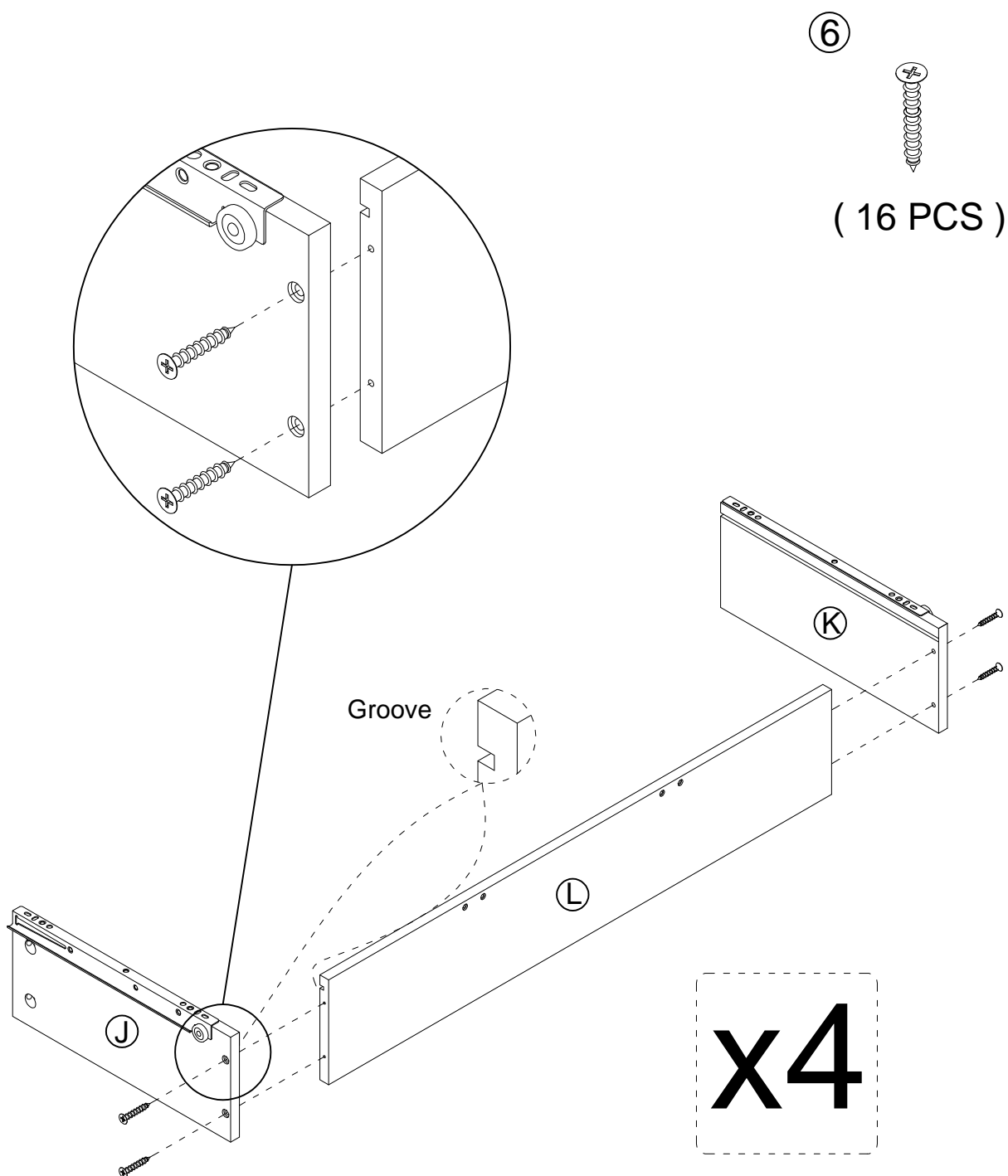


( 10 PCS )



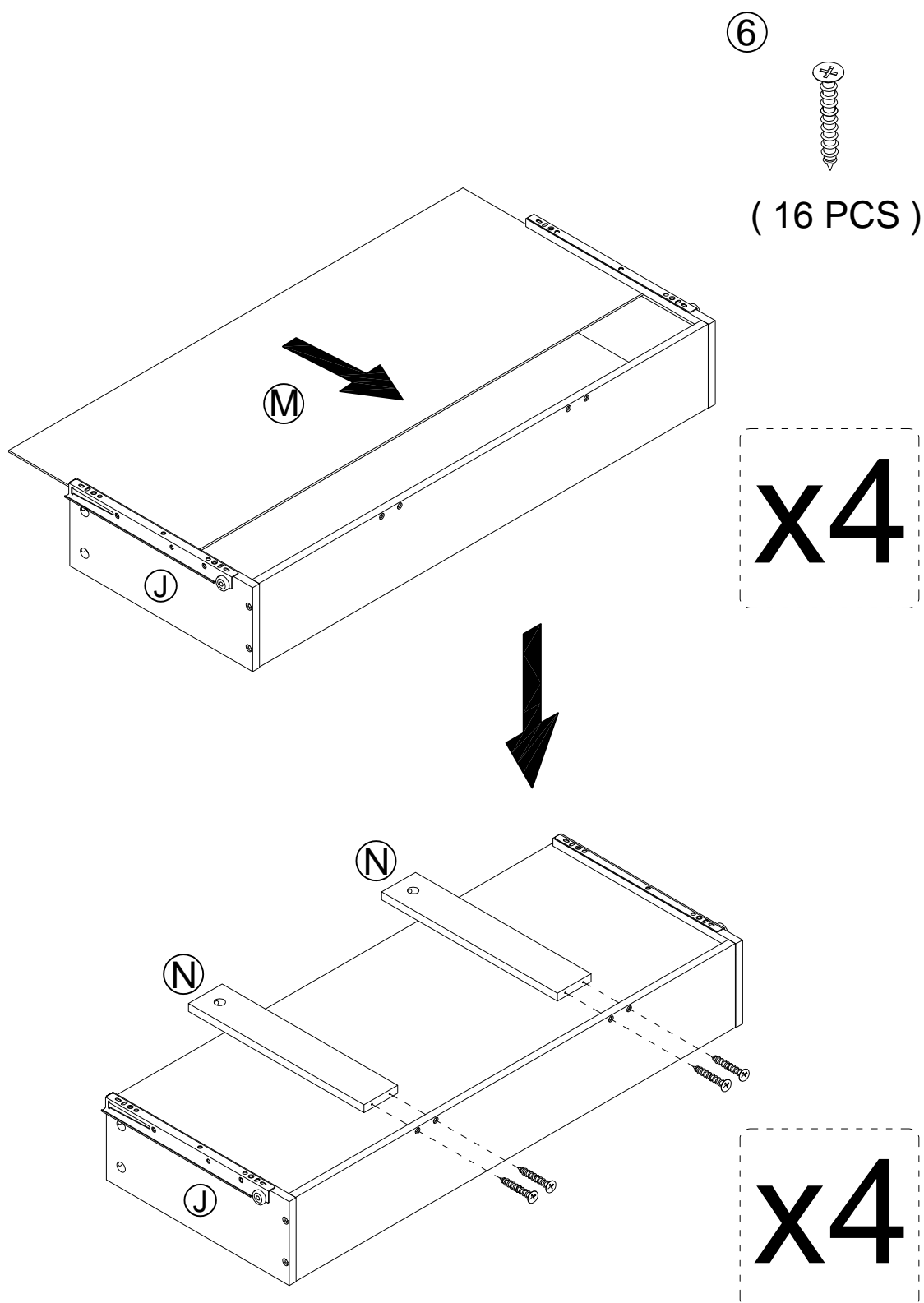
# Step 13:

\* Assemble the LOWER DRAWER BACK PANEL(L) to the LOWER DRAWER LEFT PANEL (J) and LOWER DRAWER RIGHT PANEL (K) by the SCREW (6) .



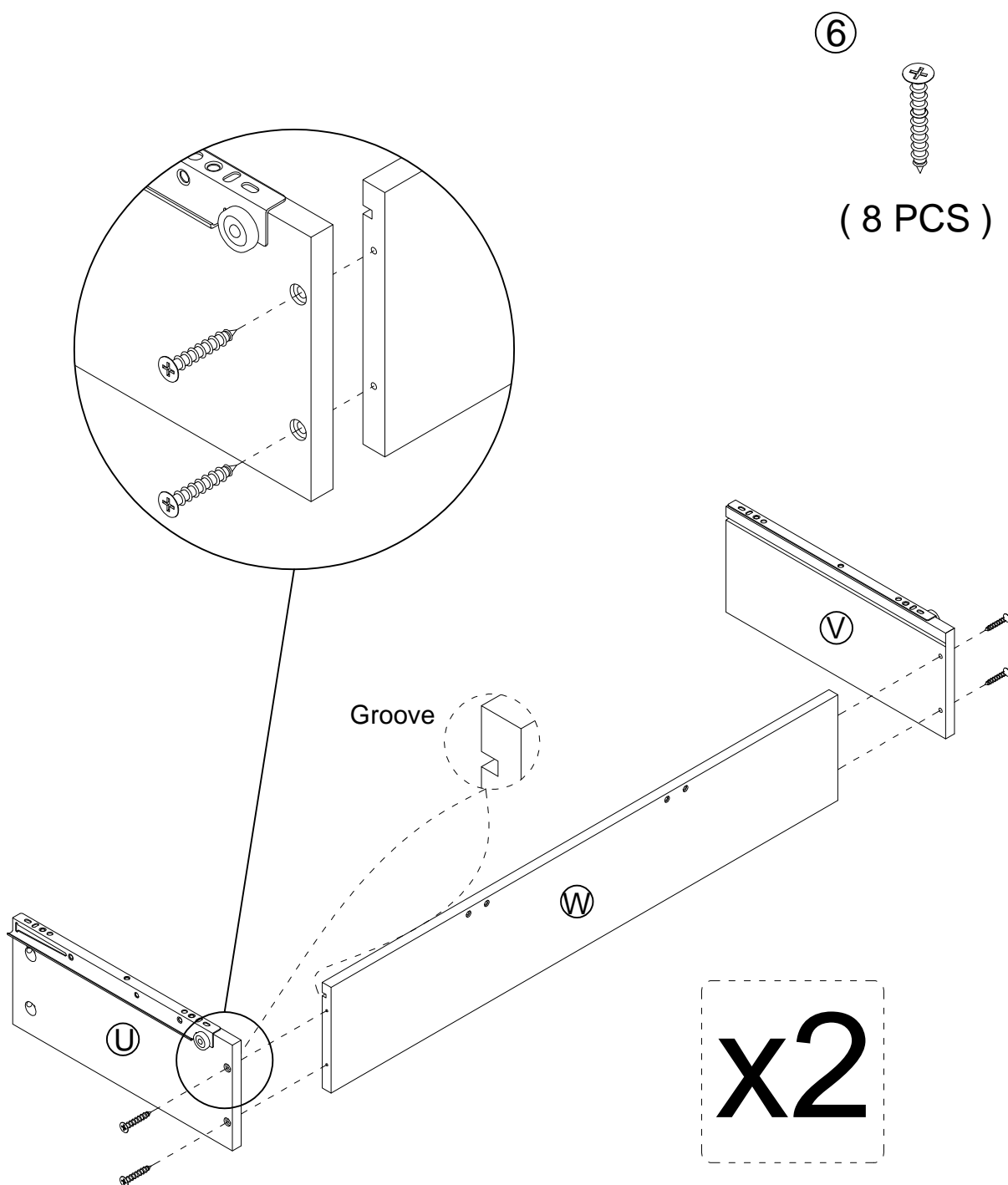
# Step 14:

- \* Slide in the DRAWER BOTTOM PANEL (M).
- \* Assemble the Two DRAWER SUPPORT PANEL (N) to the DRAWER TRAY by the SCREW (6) .



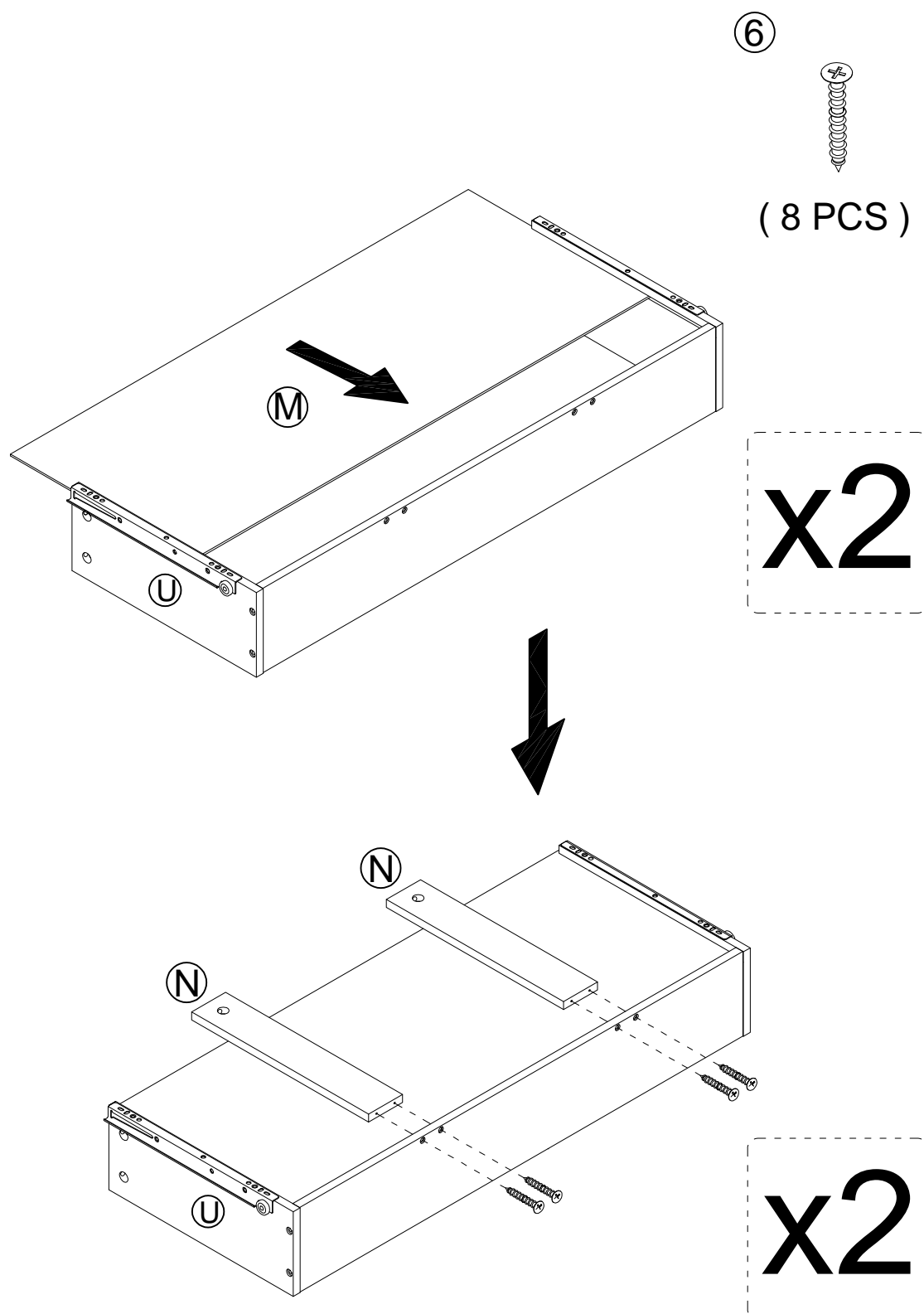
# Step 15:

\* Assemble the UPPER DRAWER BACK PANEL(W) to the UPPER DRAWER LEFT PANEL (U) and UPPER DRAWER RIGHT PANEL (V) by the SCREW (6) .



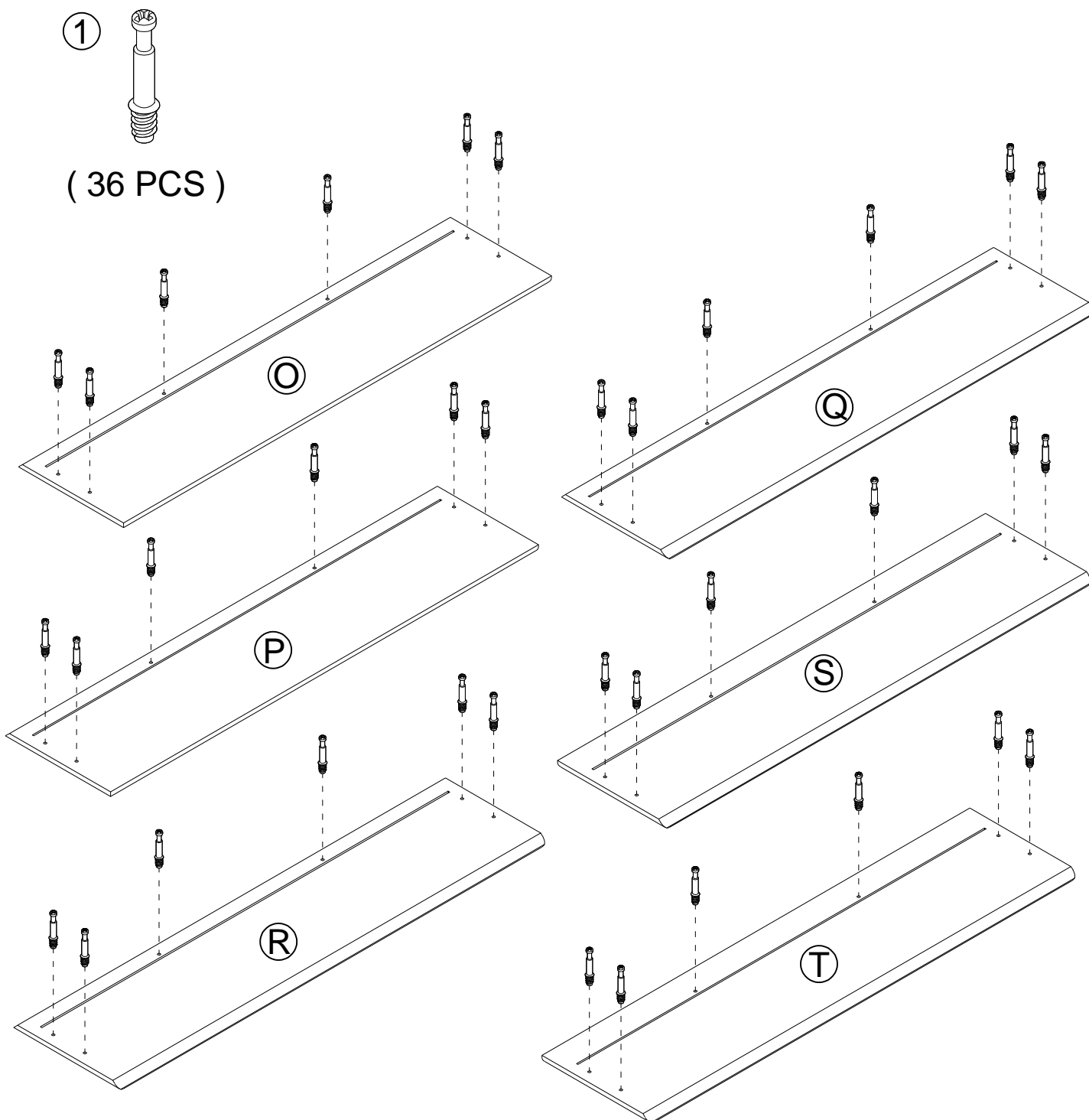
## Step 16:

- \* Slide in the DRAWER BOTTOM PANEL (M).
- \* Assemble the Two DRAWER SUPPORT PANEL (N) to the DRAWER TRAY by the SCREW (6) .



# Step 17:

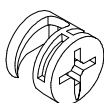
\* Insert Thirty-Six KD BOLT (1) to the DRAWER LEFT FRONT UPPER PANEL (O), DRAWER RIGHT FRONT UPPER PANEL (P), DRAWER LEFT FRONT MIDDLE PANEL (Q), DRAWER RIGHT FRONT MIDDLE PANEL (R), DRAWER LEFT FRONT LOWER PANEL (S), DRAWER RIGHT FRONT LOWER PANEL (T).



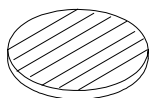
## Step 18:

\* Assemble the DRAWER LEFT FRONT MIDDLE PANEL (Q), DRAWER RIGHT FRONT MIDDLE PANEL (R), DRAWER LEFT FRONT LOWER PANEL (S), DRAWER RIGHT FRONT LOWER PANEL (T) to the Four LOWER DRAWER TRAY by the Twenty-four KD SMALL CAM (5) and Twenty-four COVER CAP (3).

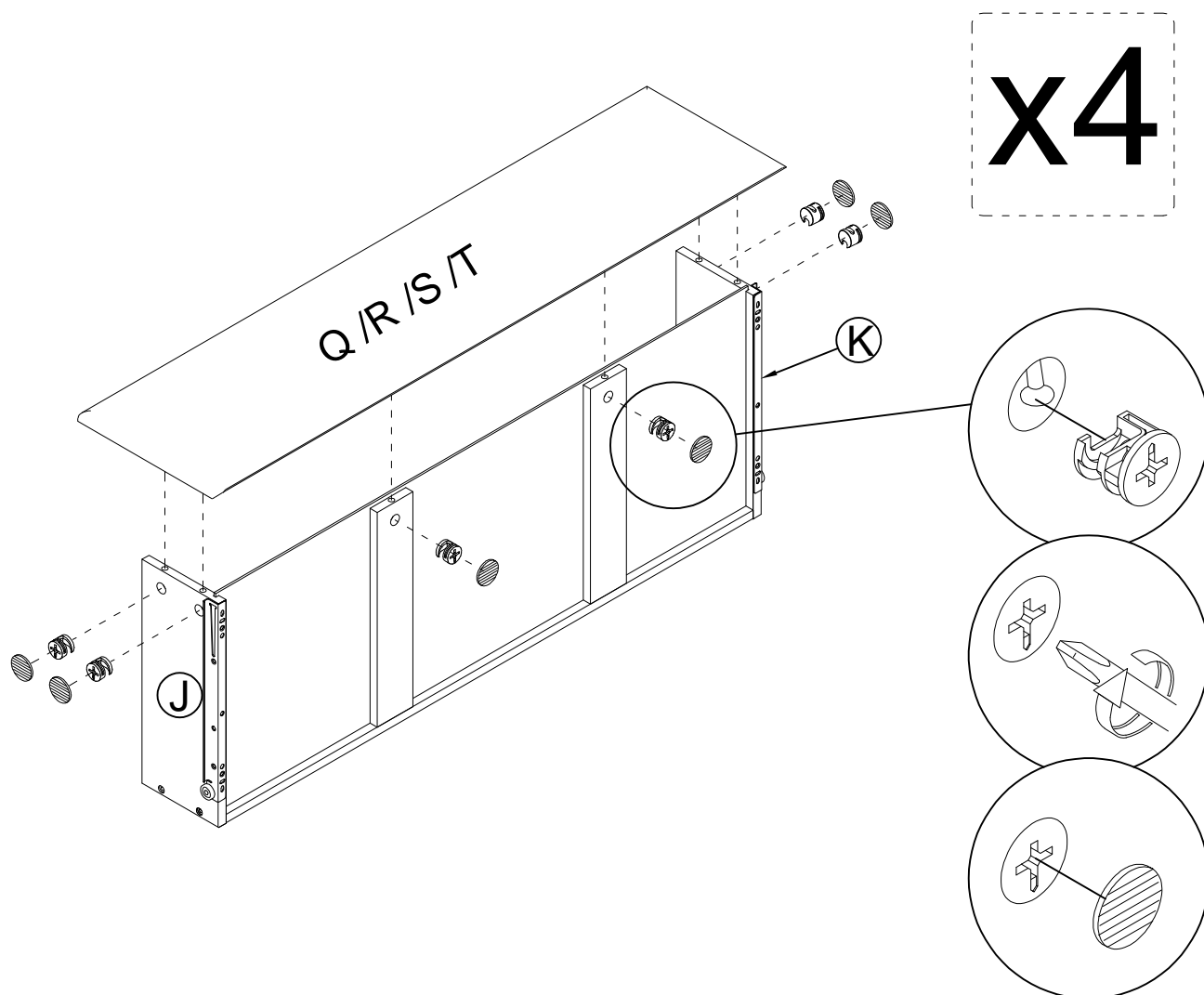
⑤



③



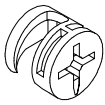
( 24 PCS ) ( 24 PCS )



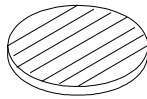
# Step 19:

\* Assemble the DRAWER LEFT FRONT UPPER PANEL (O) and DRAWER RIGHT FRONT UPPER PANEL (P) to the Two UPPER DRAWER TRAY by the Twelve KD SMALL CAM (5) and Twelve COVER CAP (3).

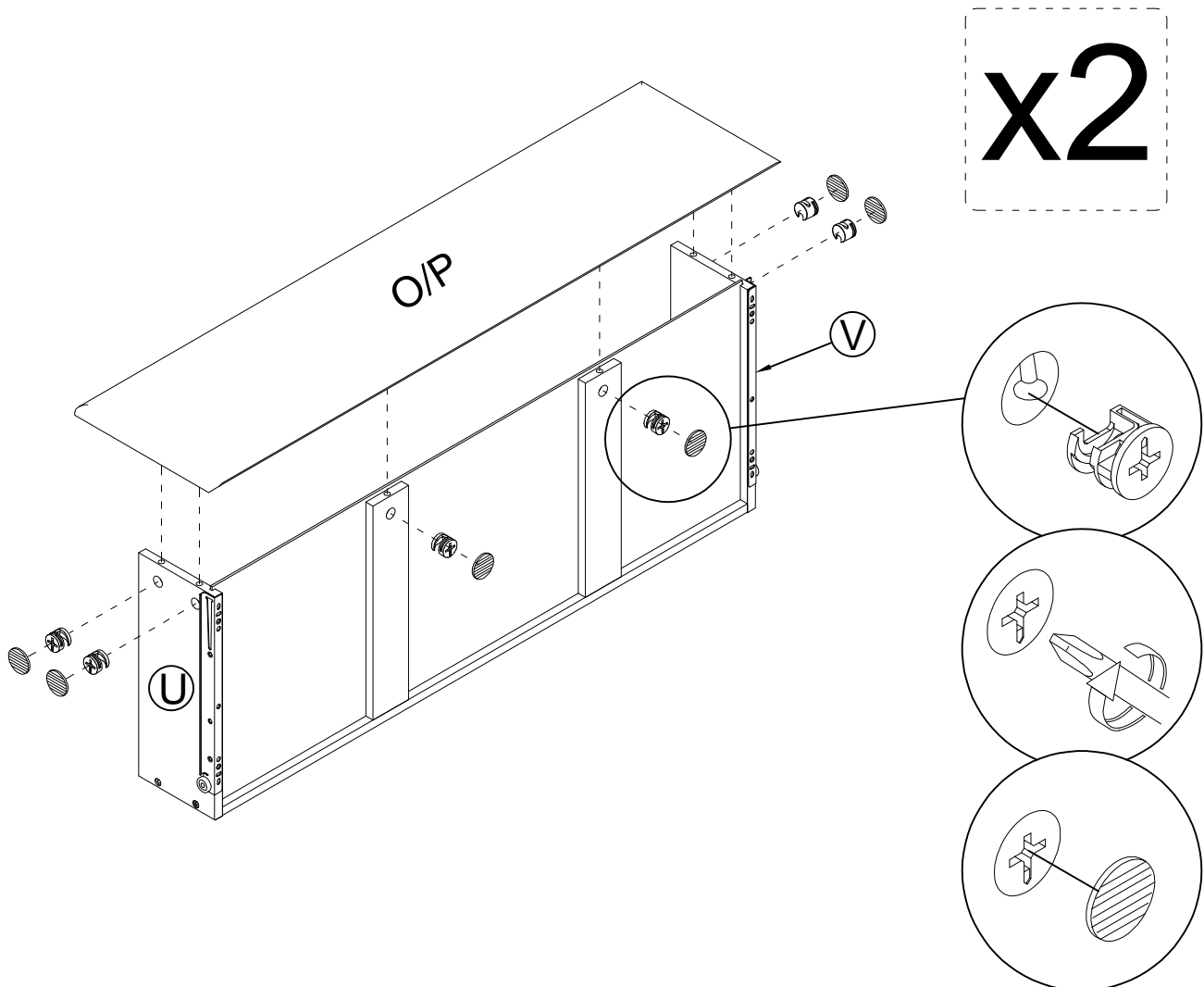
⑤



③

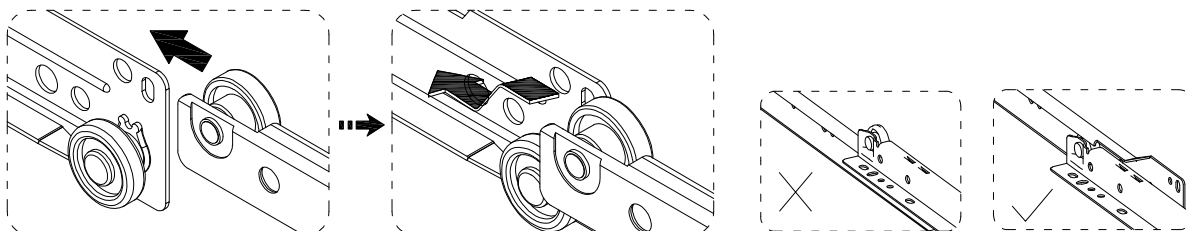
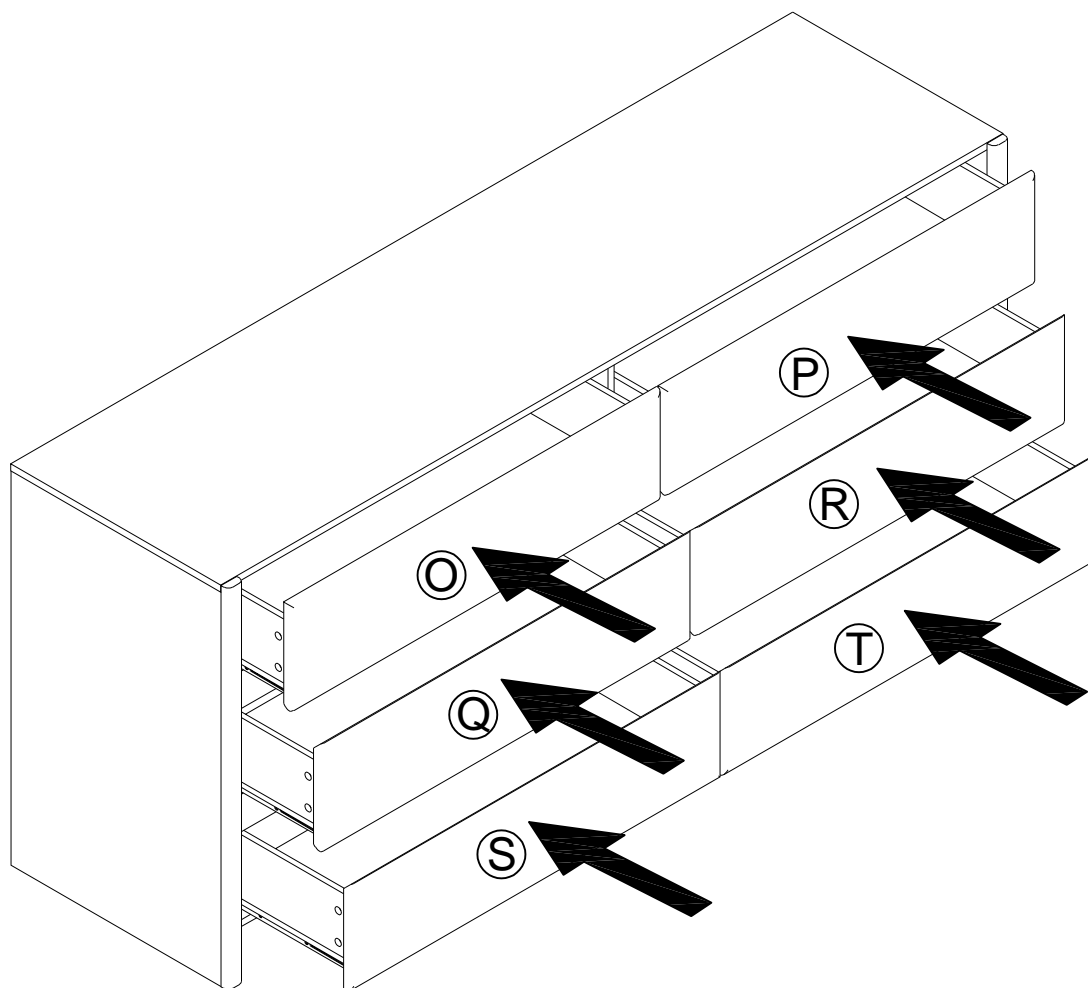


( 12 PCS ) ( 12 PCS )



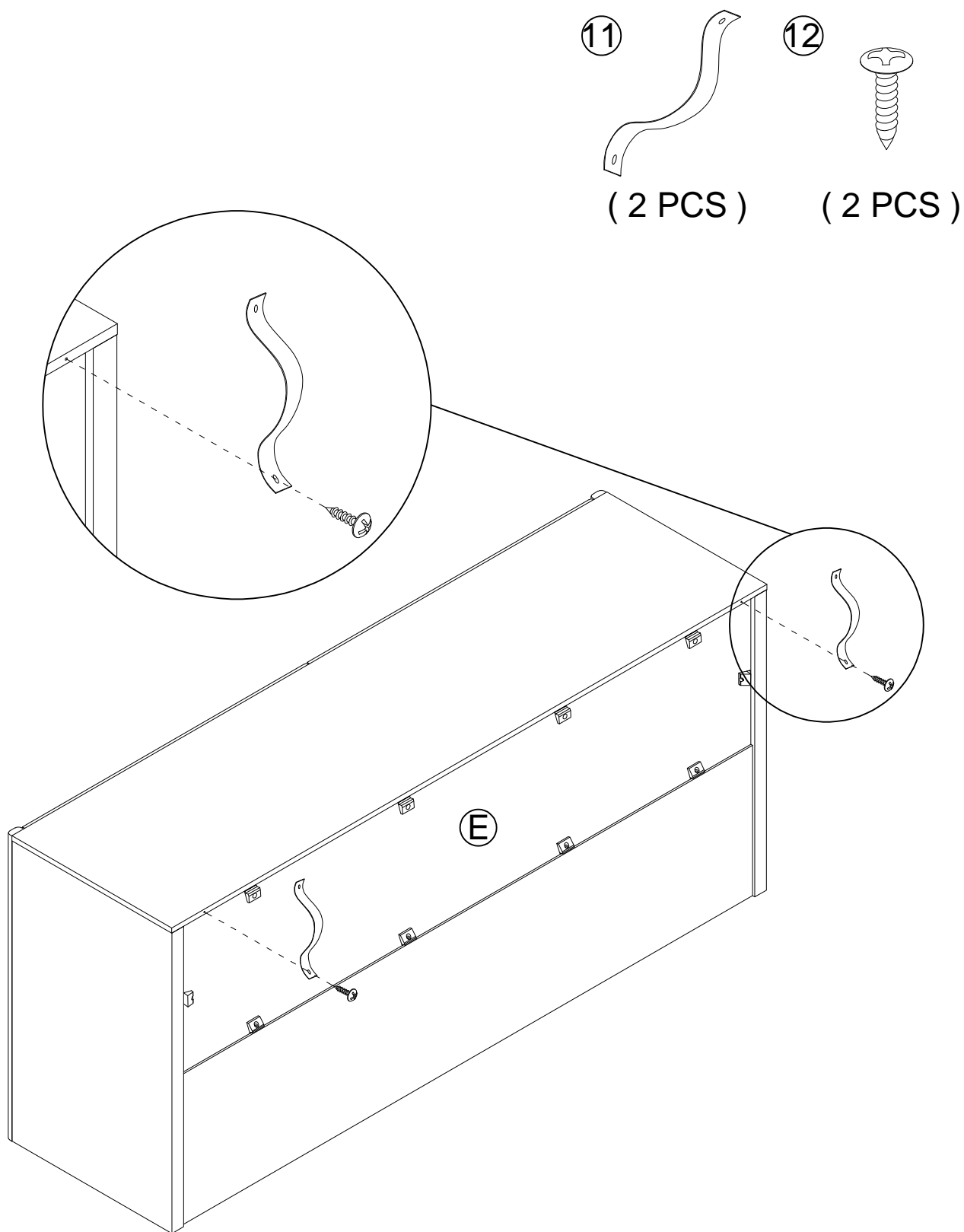
# Step 20:

\*Input Six Drawer tray to the stand.



# Step 21:

\* Attach anti-tipping straps to the back of the stand.



## Step 22:

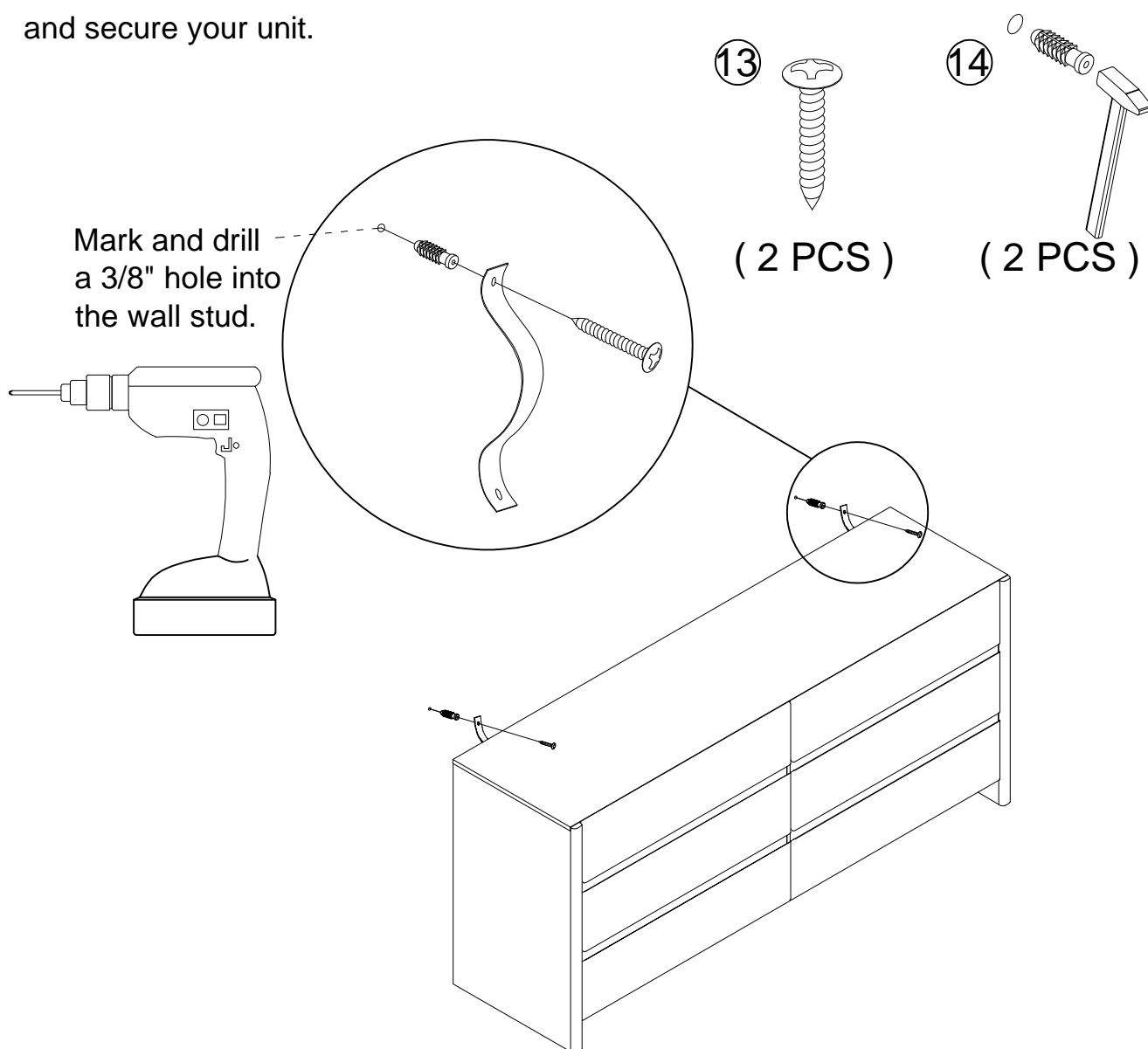
1st- With your pencil, strike a mark through the center of the hole in the SAFETY STRAP.

2nd- Drill a 3/8" hole on the mark.

3rd- FURNITURE TIPPING RESTRAINT KIT (14) into the hole until it is even with the surface of the wall.

4th- Turn the LONG SCREW through the hole in the SAFETY STRAP and into the WALL ANCHOR.

NOTE: You will need to turn the LONG SCREW multiple turns to completely tighten and secure your unit.





---

## WARRANTY POLICY

All Manhattan Comfort furniture products are warranted, to the original purchaser at the time of purchase and for a period of 30 days thereafter.

Our warranty is limited to new products purchased in factory sealed cartons. This warranty is valid in the United States of America and Canada.

In order to provide you with timely assistance, please thoroughly inspect your furniture for missing or defective parts immediately after opening the carton.

Manhattan Comfort offers a 30-day parts replacement warranty on all items.

Our furniture products are not intended for outdoor use.

### THE WARRANTY DOES NOT COVER:

- Defects/damages by improper assembly or disassembly.
- Defects/damages caused by shipping. Claims for damage during transit should be placed immediately to the transportation company.
- Defects/damages caused by inappropriate use of the furniture.



319 Ridge Rd. Dayton, NJ 08810

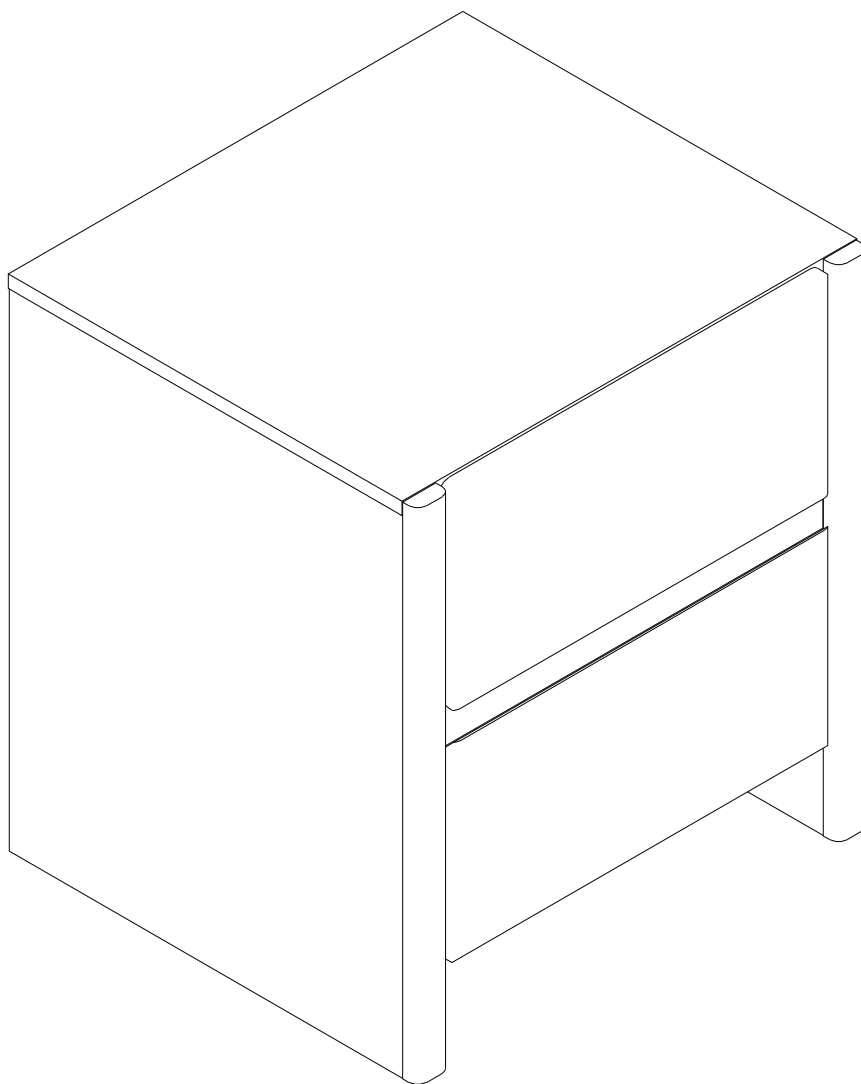
908-888-0818

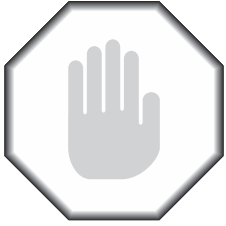


**MANHATTAN  
COMFORT**

---

**NS015**



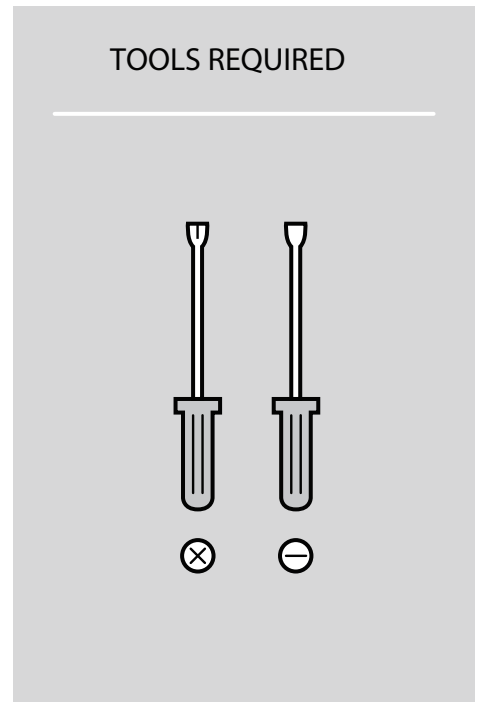
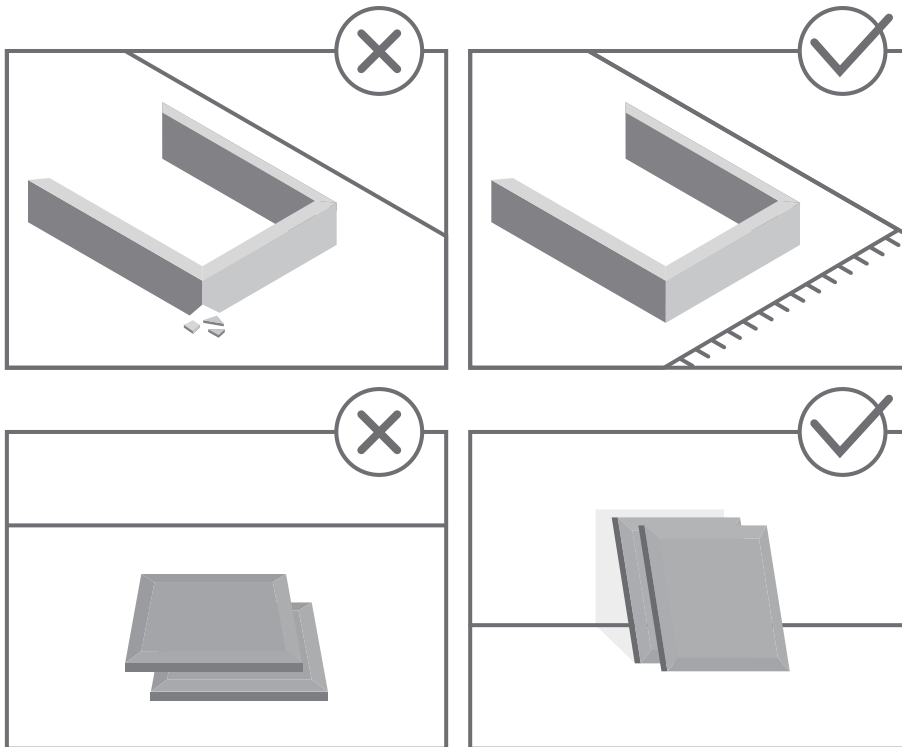


# STOP!

Before beginning the assembly process, ensure all boxes and parts have been delivered.

## FOR BEST RESULTS:

- Do not throw away packaging materials until assembly is complete.
- Assemble item on a soft surface, such as cardboard or carpet, to protect finish.
- Proper assembly requires two people.



View our assembly video online:  
[WWW.MANHATTANCOMFORT.COM](http://WWW.MANHATTANCOMFORT.COM)



Stuck? Question? We are here to help.  
tel: 908-888-0818  
e-mail: [help@manhattancomfort.com](mailto:help@manhattancomfort.com)

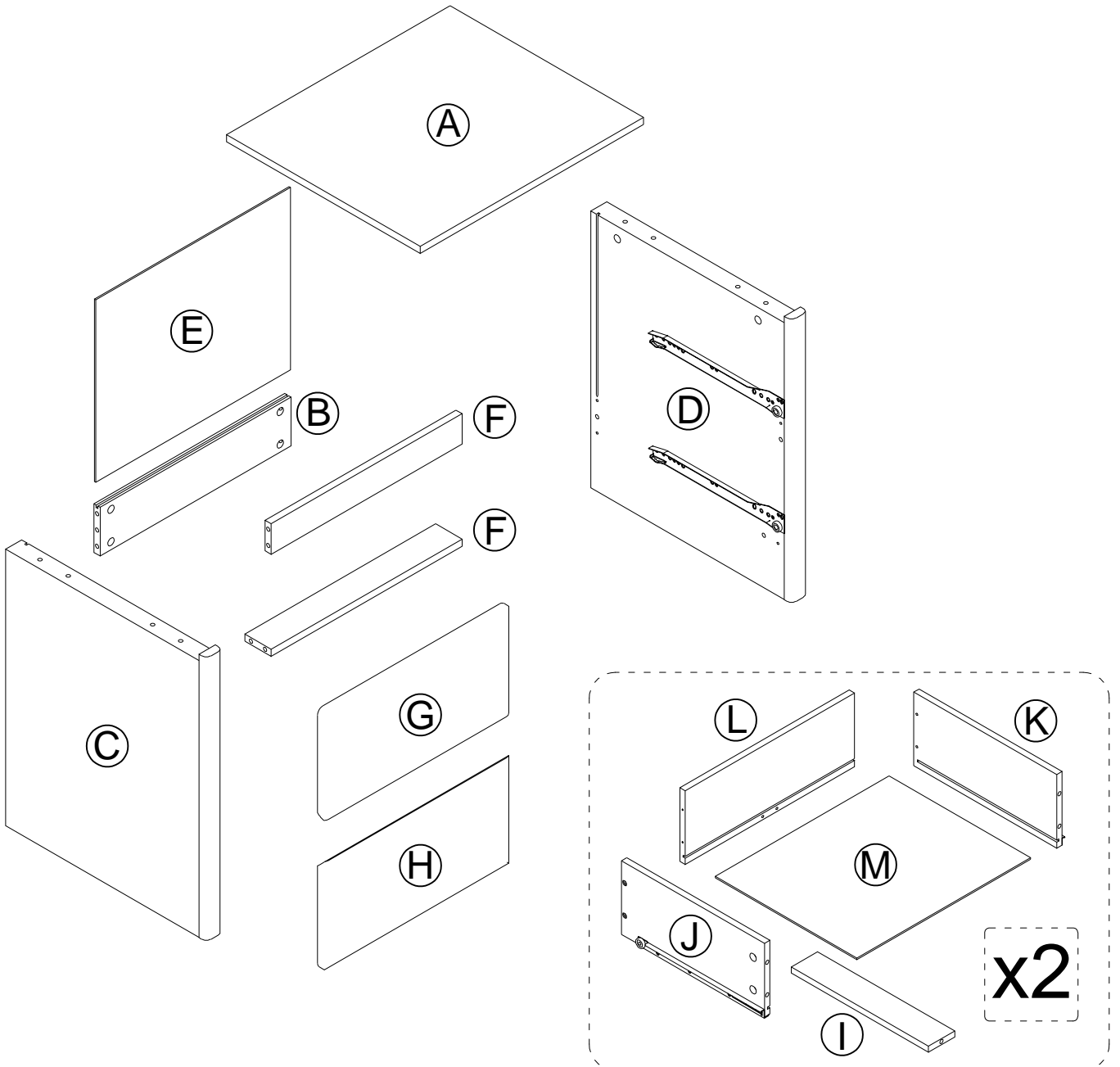
## Support Site



# Included in this package:

---

- A. TOP PANEL(1)
- B. BACK LOWER PANEL(1)
- C. LEFT PANEL (1)
- D. RIGHT PANEL (1)
- E. BACK UPPER PANEL (1)
- F. FRONT UPPER HORIZONTAL PANEL (2)
- G. DRAWER UPPER FRONT PANEL (1)
- H. DRAWER LOWER FRONT PANEL (1)
- I. DRAWER SUPPORT PANEL (2)
- J. DRAWER LEFT PANEL (2)
- K. DRAWER RIGHT PANEL (2)
- L. DRAWER BACK PANEL (2)
- M. DRAWER BOTTOM PANEL (2)



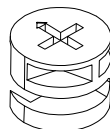
# Hardware Identification

---

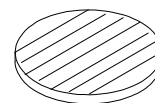
① KD BOLT - 22pcs  
L=35mm



② KD LARGE CAM - 12pcs  
Ø15\*11mm

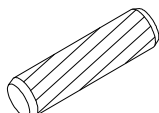


③ COVER CAP - 22pcs



---

④ WOOD DOWEL - 10pcs  
Ø8\*30mm



⑤ KD SMALL CAM - 10pcs  
Ø15\*9mm

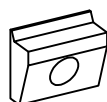


⑥ SCREW - 12pcs  
Ø4\*38mm

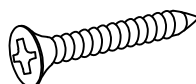


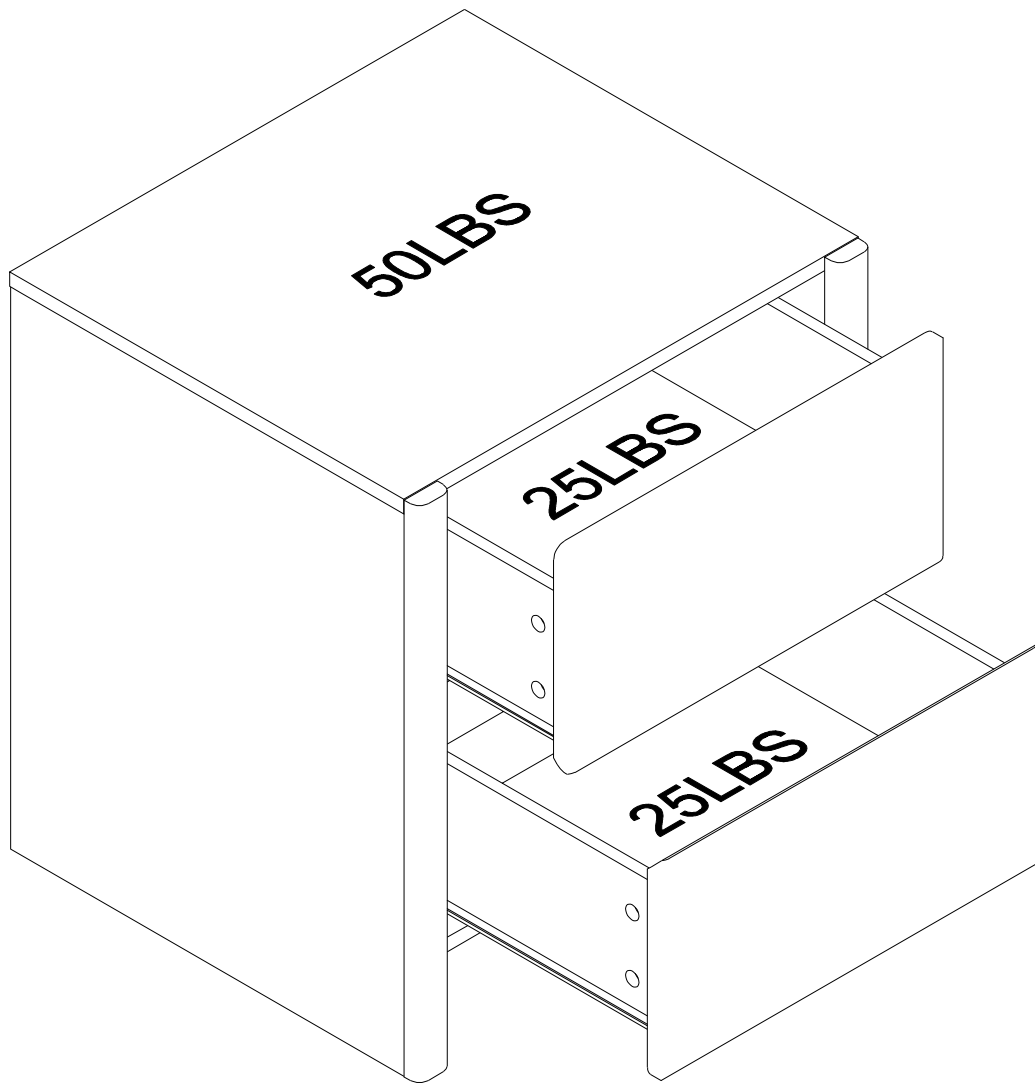
---

⑦ PLASTIC WEDGE - 6pcs



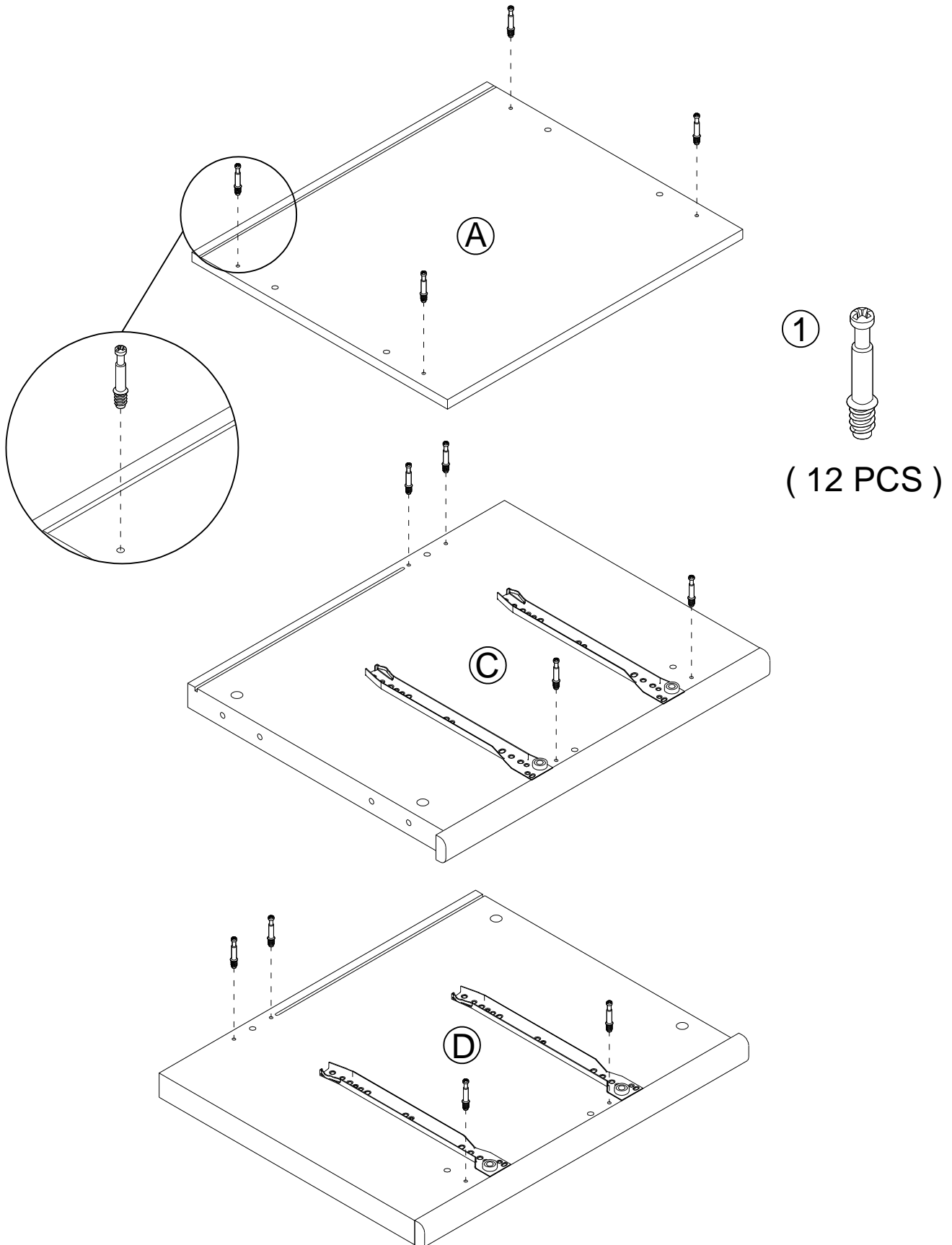
⑧ SCREW - 6pcs  
Ø3\*17mm





# Step 1:

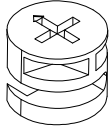
\* Insert Twelve KD BOLT (1) to the TOP PANEL (A), LEFT PANEL (C) and RIGHT PANEL (D).



## Step 2:

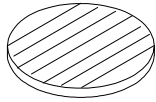
\* Attach the Two FRONT UPPER HORIZONTAL PANEL (F) and BACK LOWER PANEL(B) to the LEFT PANEL (C) by the Four KD LARGE CAM (2) , Four COVER CAP (3) and Three WOOD DOWEL (4) .

②



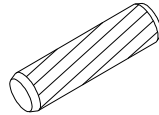
( 4 PCS )

③

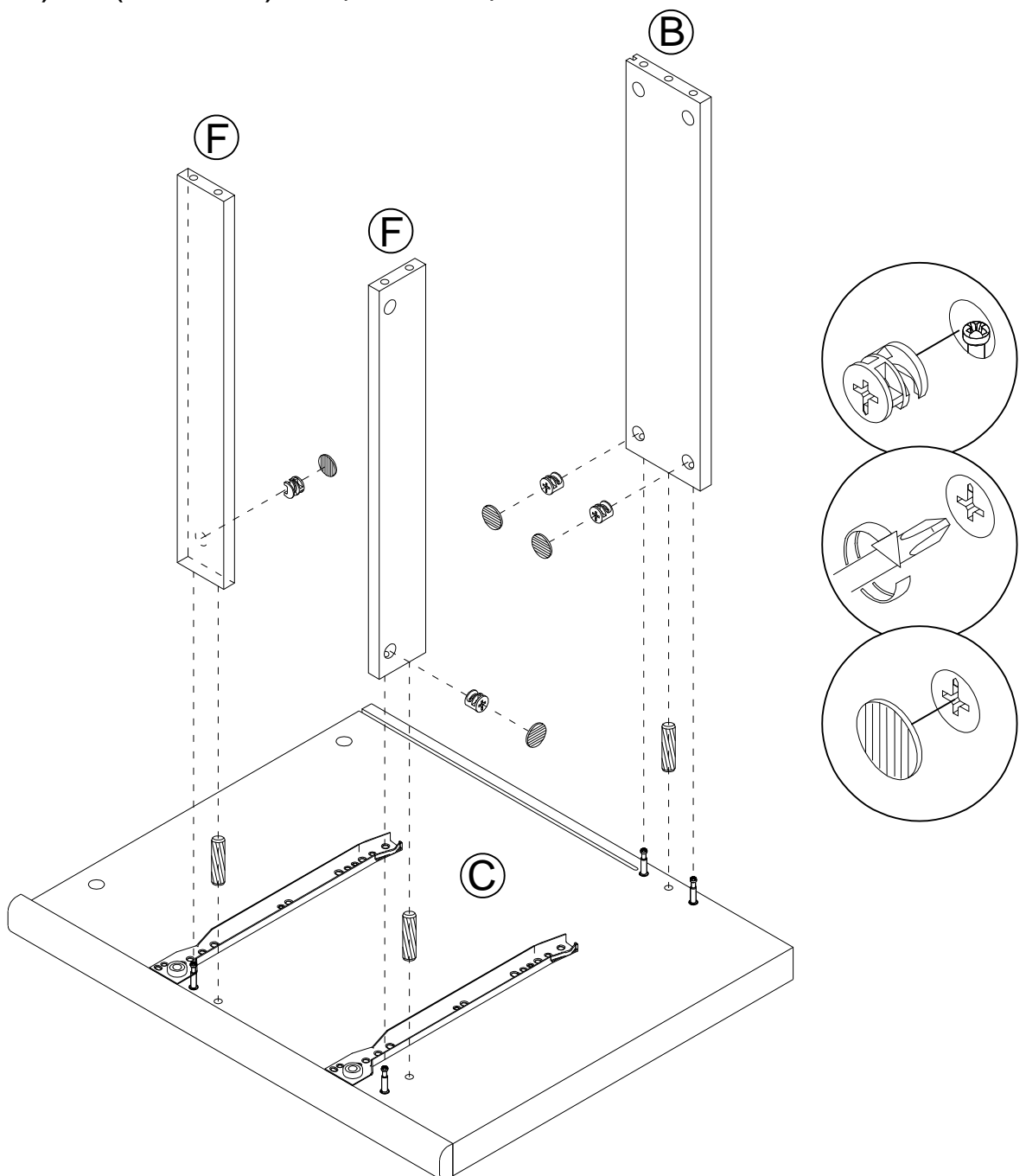


( 4 PCS )

④



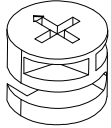
( 3 PCS )



# Step 3:

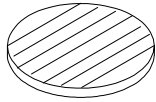
\* Attach the Two FRONT UPPER HORIZONTAL PANEL (F) and BACK LOWER PANEL (B) to the RIGHT PANEL (D) by the Four KD LARGE CAM (2) , Four COVER CAP (3) and Three WOOD DOWEL (4) .

②



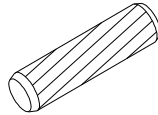
( 4 PCS )

③

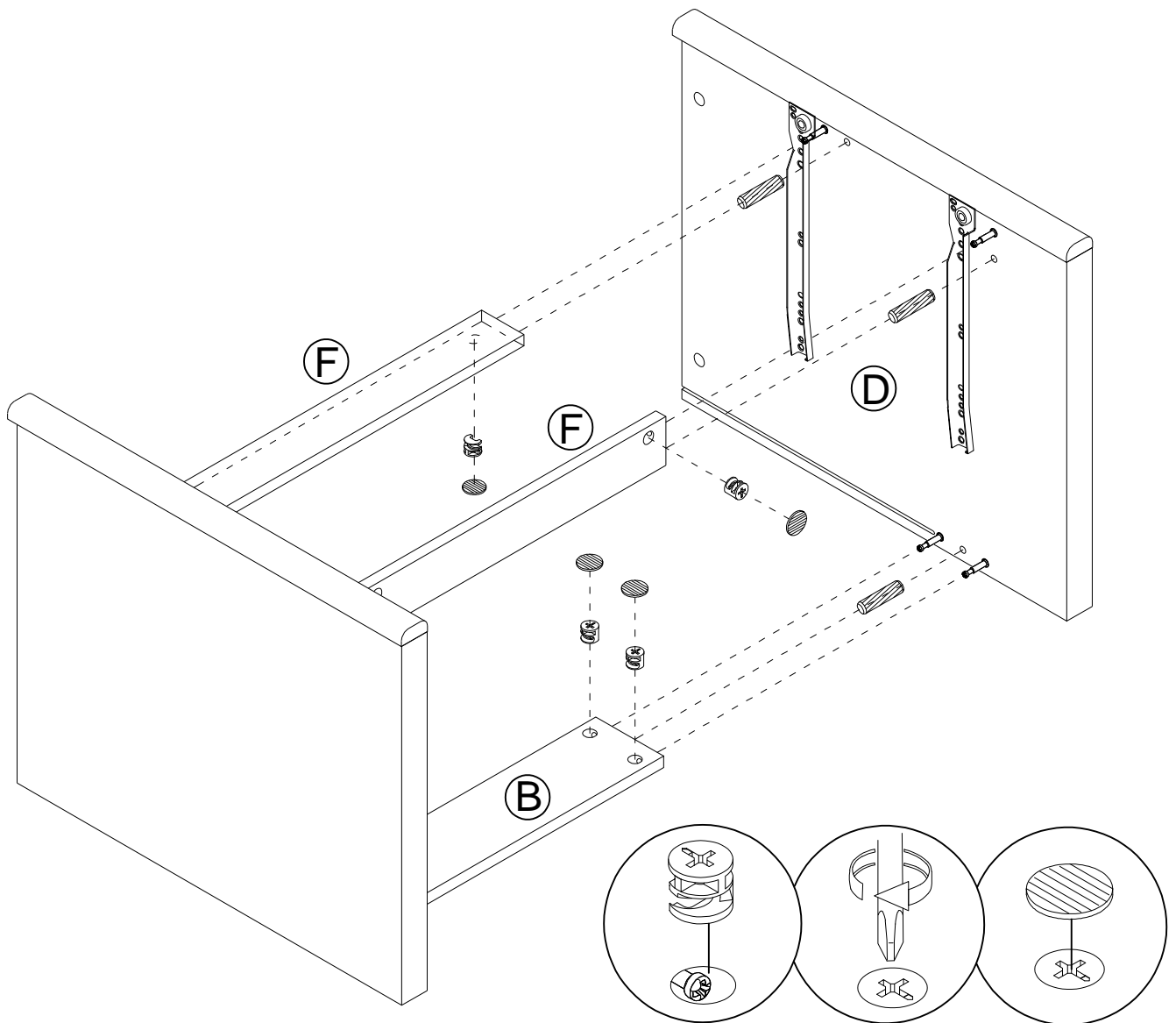


( 4 PCS )

④

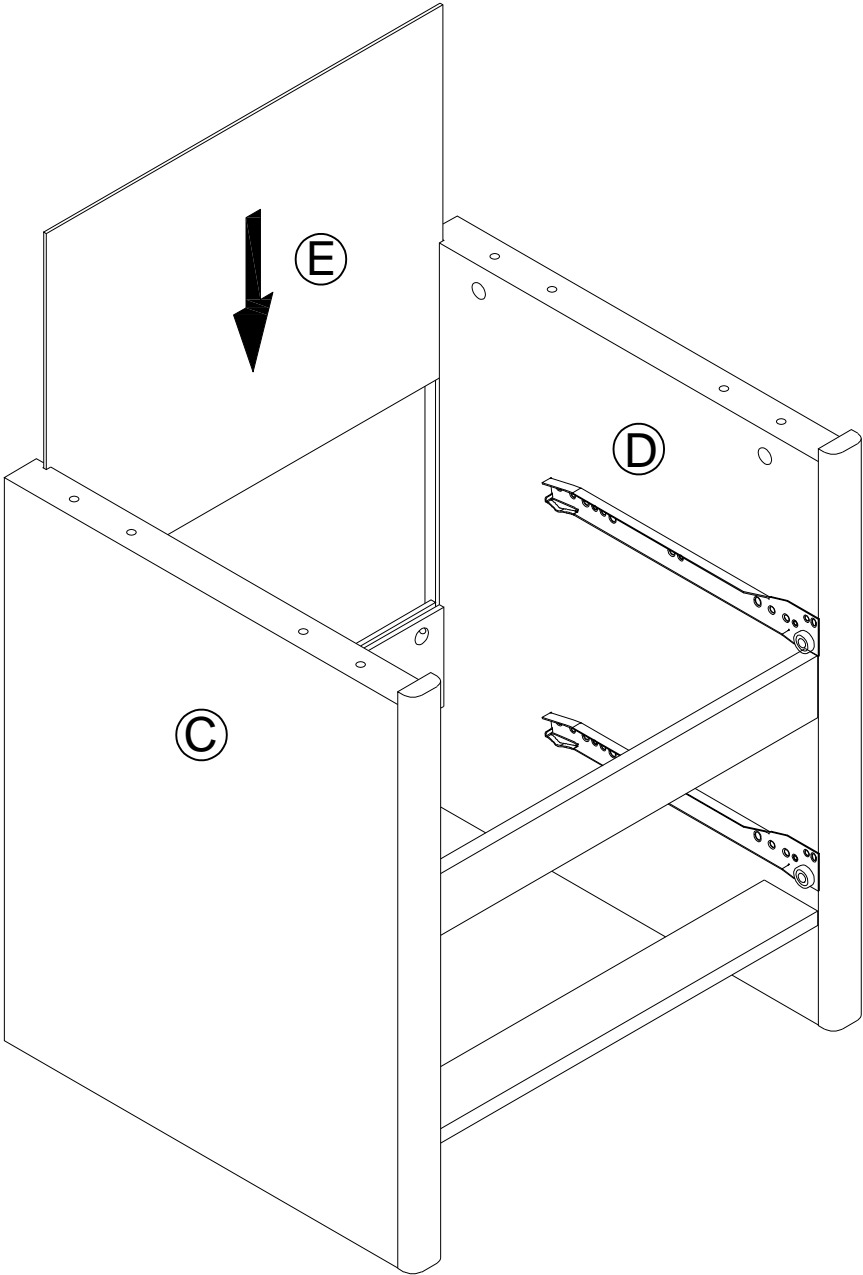


( 3 PCS )



# Step 4:

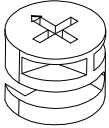
\* Insert the BACK UPPER PANEL (E) to the stand.



# Step 5:

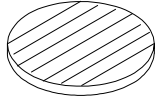
\* Attach the TOP PANEL(A) to the LEFT PANEL(C) and RIGHT PANEL(D) by the Four KD LARGE CAM (2) , Four COVER CAP (3) and Four WOOD DOWEL (4) .

②



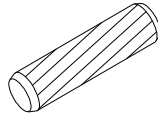
( 4 PCS )

③

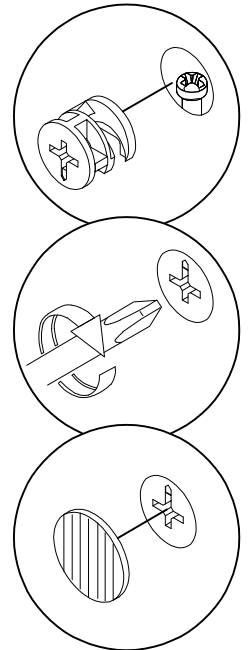
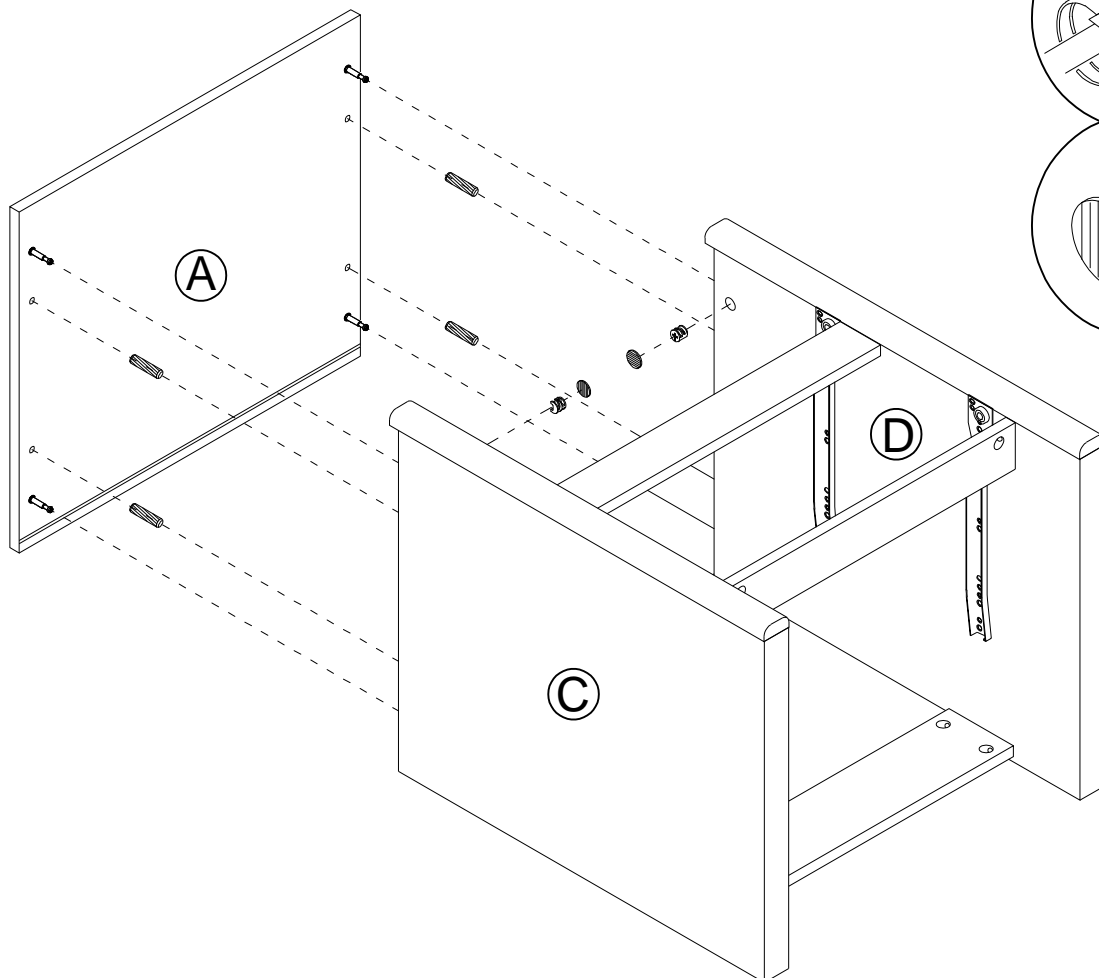


( 4 PCS )

④



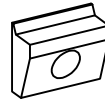
( 4 PCS )



# Step 6:

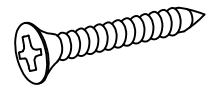
\* Insert Six PLASTIC WEDGE(7) and Six SCREW(8) to the BACK UPPER PANEL (E).

⑦

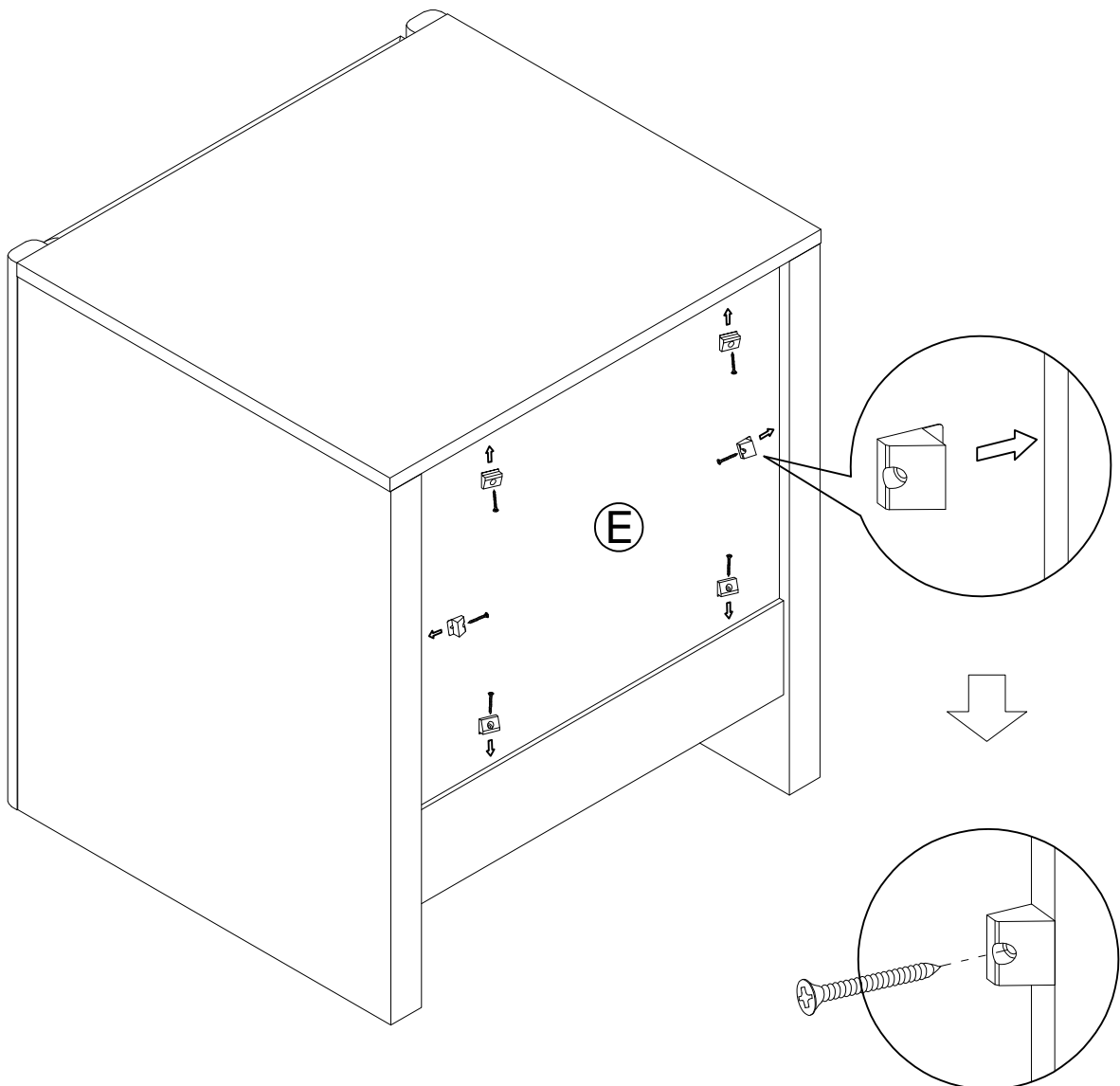


( 6 PCS )

⑧

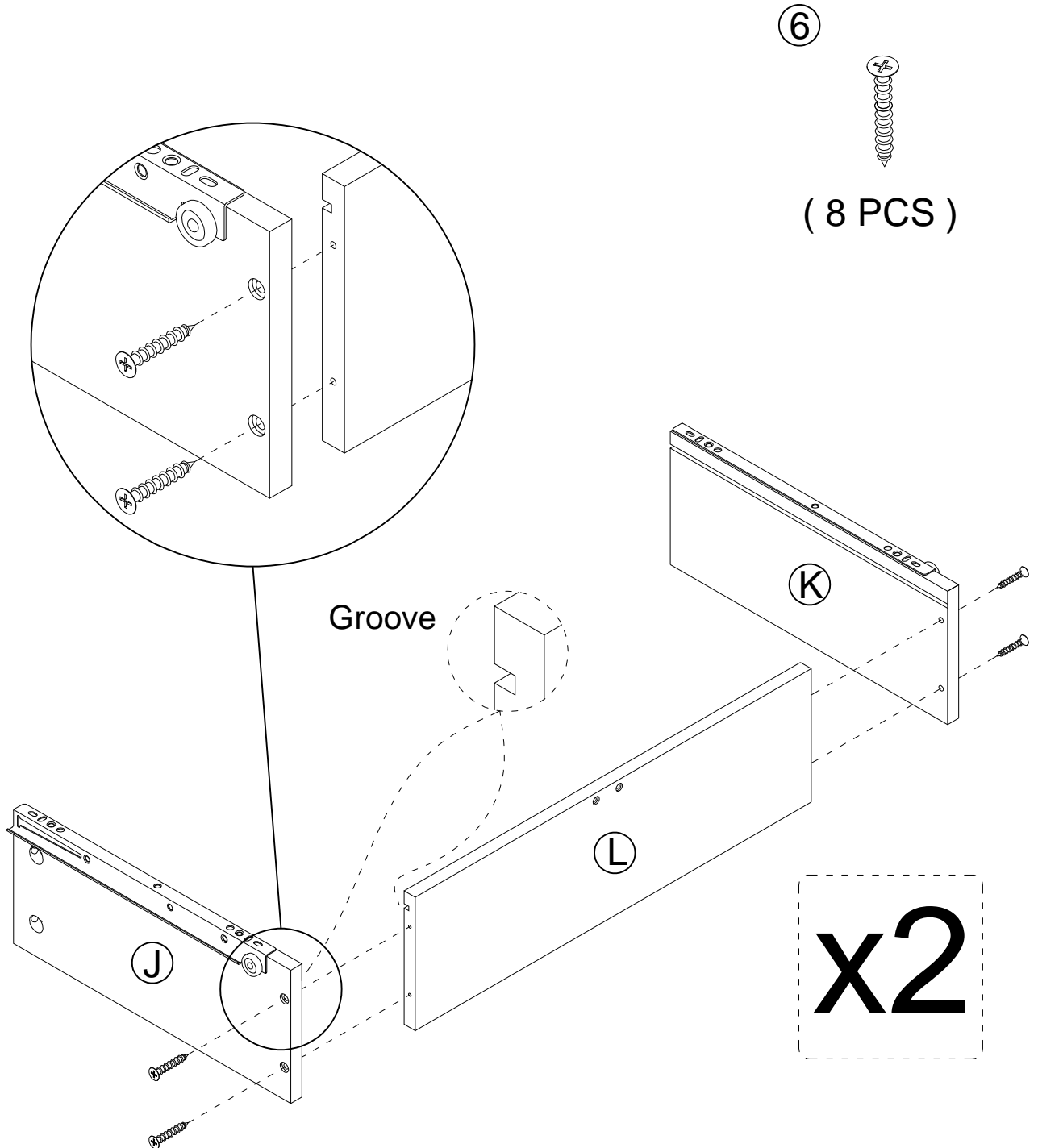


( 6 PCS )



# Step 7:

\* Assemble the DRAWER BACK PANEL(L) to the DRAWER LEFT PANEL (J) and DRAWER RIGHT PANEL (K) by the SCREW (6) .



## Step 8:

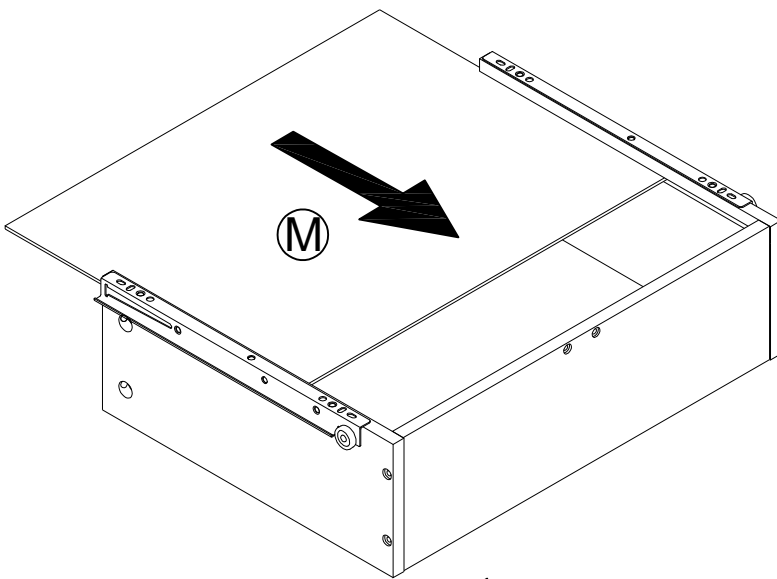
---

- \* Slide in the DRAWER BOTTOM PANEL (M).
- \* Assemble the DRAWER SUPPORT PANEL (I) to the DRAWER TRAY by the SCREW (6) .

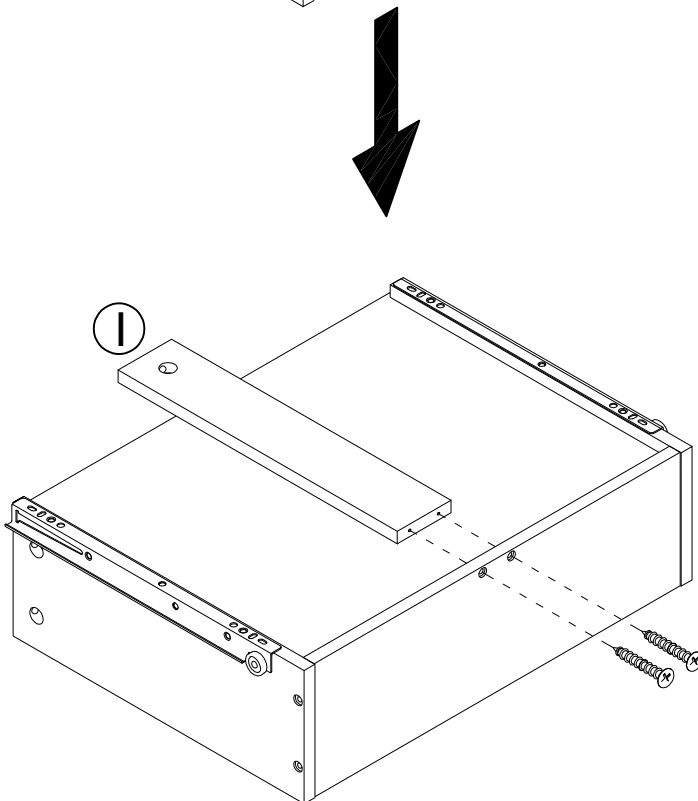
⑥



( 4 PCS )



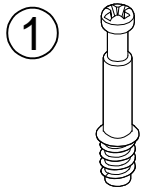
x2



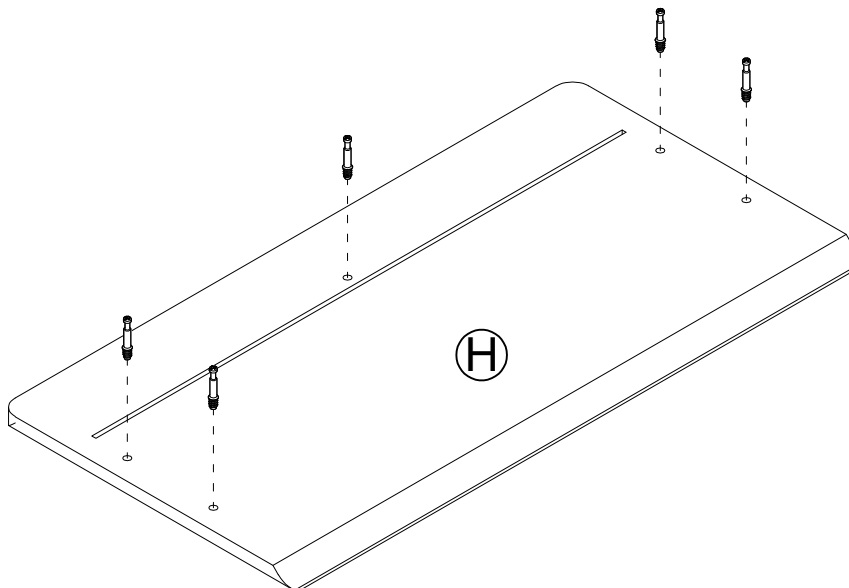
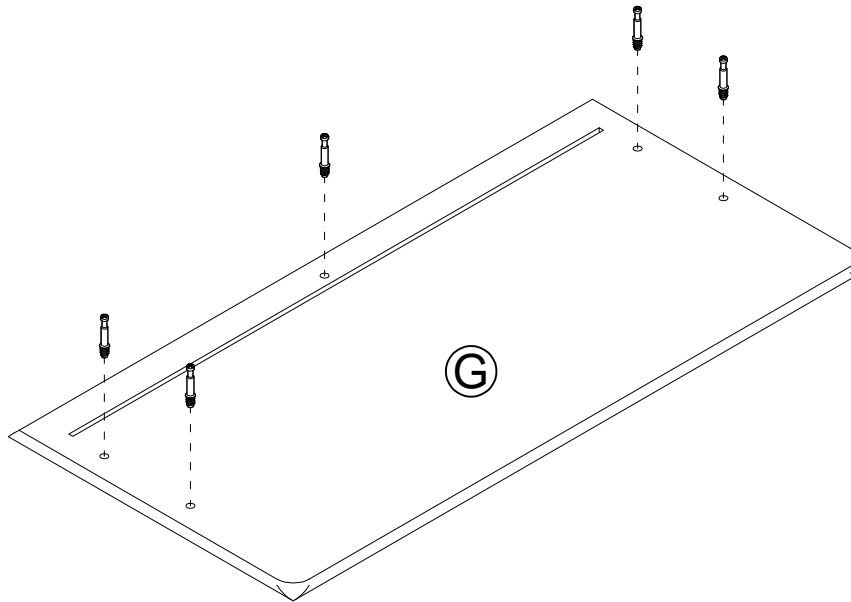
x2

## Step 9:

\* Insert Ten KD BOLT (1) to the DRAWER UPPER FRONT PANEL (G) and DRAWER LOWER FRONT PANEL (H).

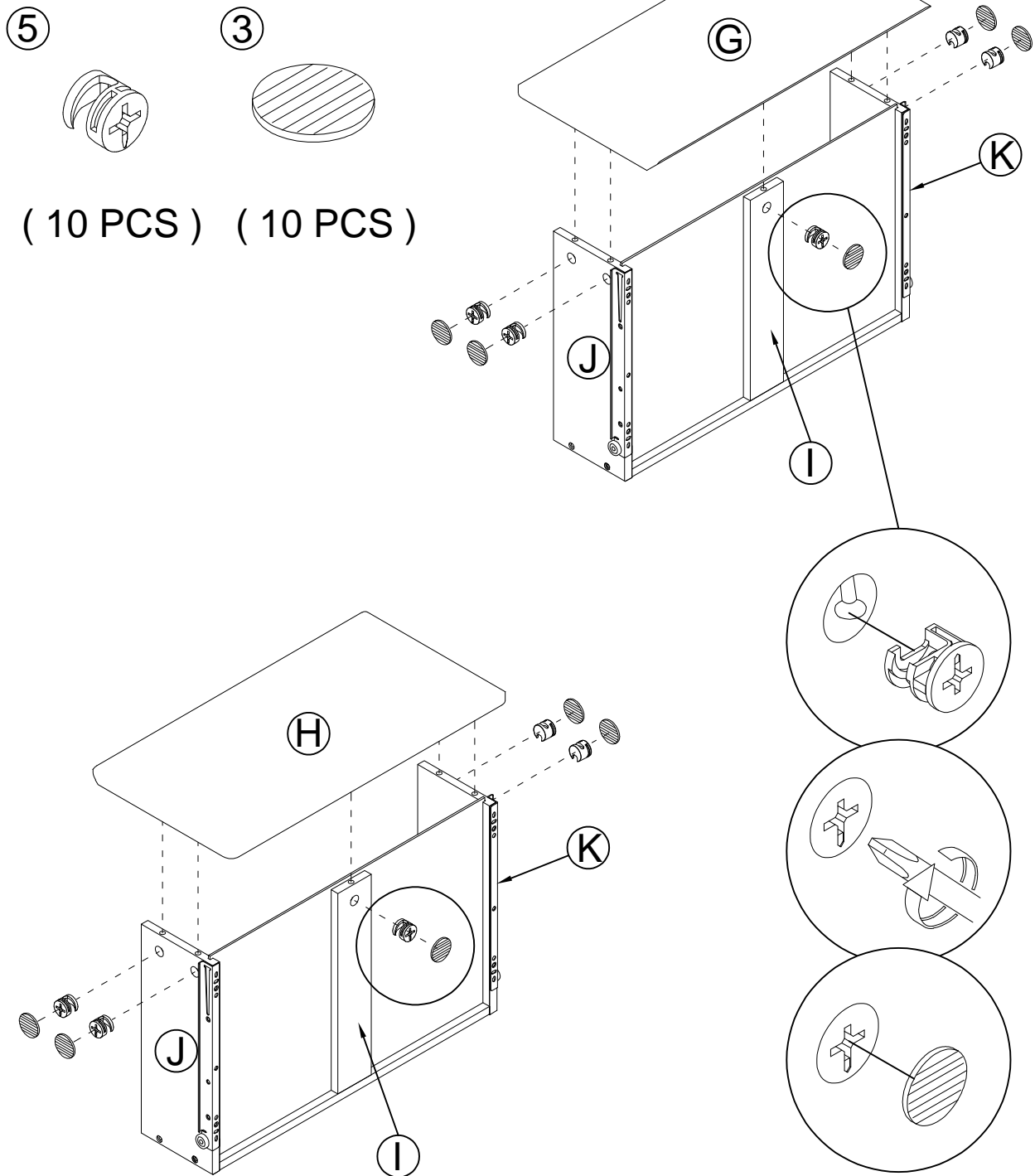


( 10 PCS )



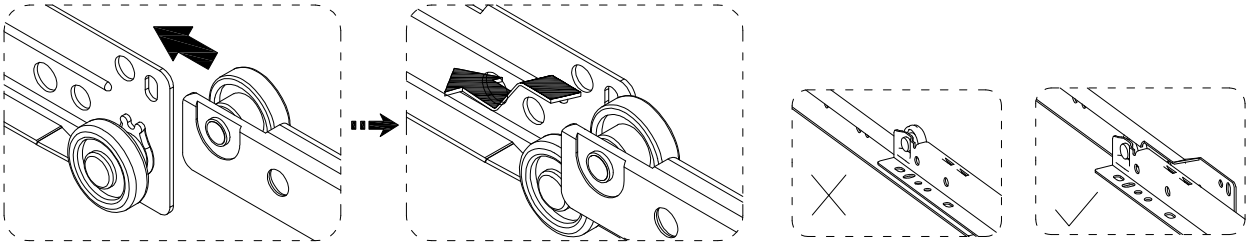
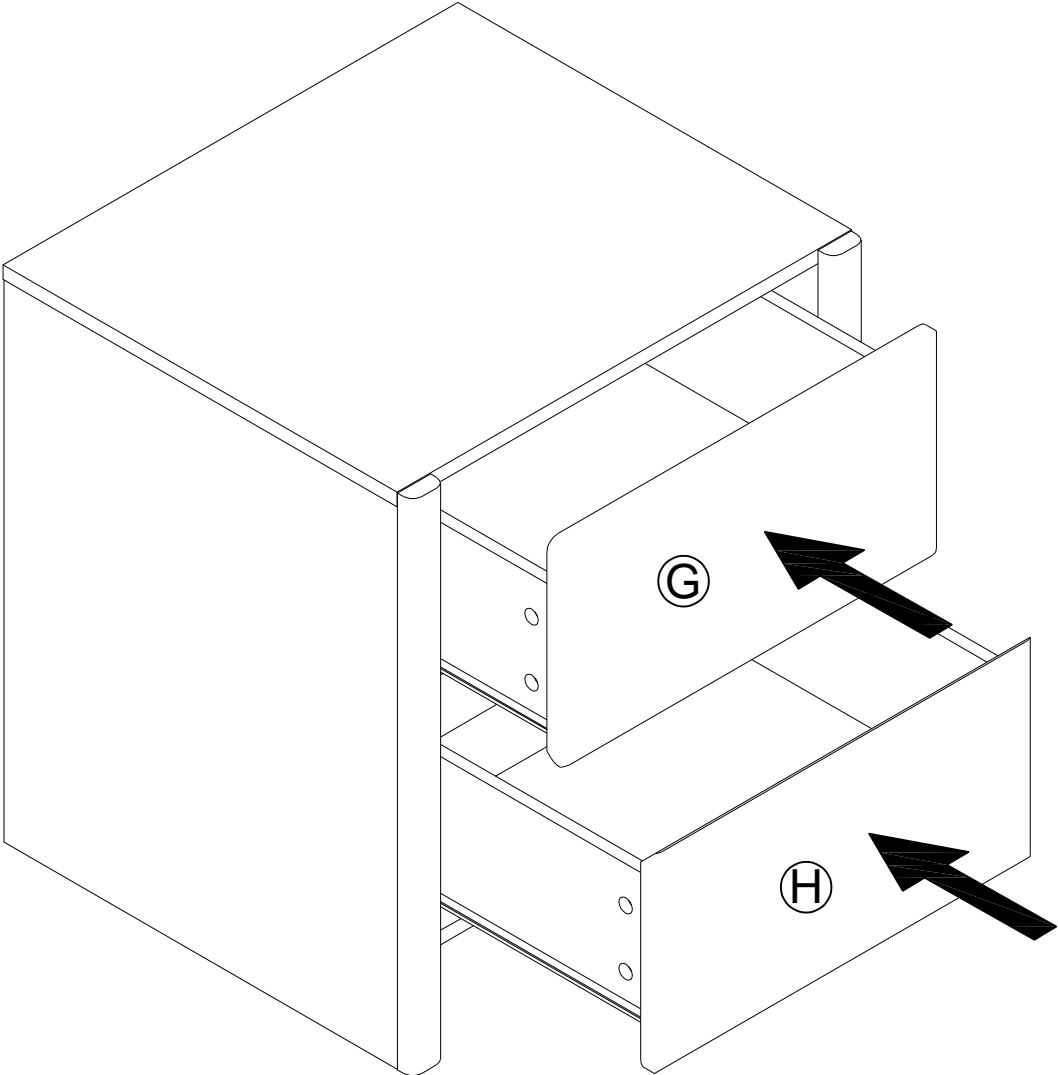
# Step 10:

\* Assemble the DRAWER UPPER FRONT PANEL (G) and DRAWER LOWER FRONT PANEL (H) to the DRAWER TRAY by the Ten KD SMALL CAM (5) and Ten COVER CAP (3).



# Step 11:

\*Input Two Drawer tray to the stand.





---

## WARRANTY POLICY

All Manhattan Comfort furniture products are warranted, to the original purchaser at the time of purchase and for a period of 30 days thereafter.

Our warranty is limited to new products purchased in factory sealed cartons. This warranty is valid in the United States of America and Canada.

In order to provide you with timely assistance, please thoroughly inspect your furniture for missing or defective parts immediately after opening the carton.

Manhattan Comfort offers a 30-day parts replacement warranty on all items.

Our furniture products are not intended for outdoor use.

### THE WARRANTY DOES NOT COVER:

- Defects/damages by improper assembly or disassembly.
- Defects/damages caused by shipping. Claims for damage during transit should be placed immediately to the transportation company.
- Defects/damages caused by inappropriate use of the furniture.



319 Ridge Rd. Dayton, NJ 08810

908-888-0818