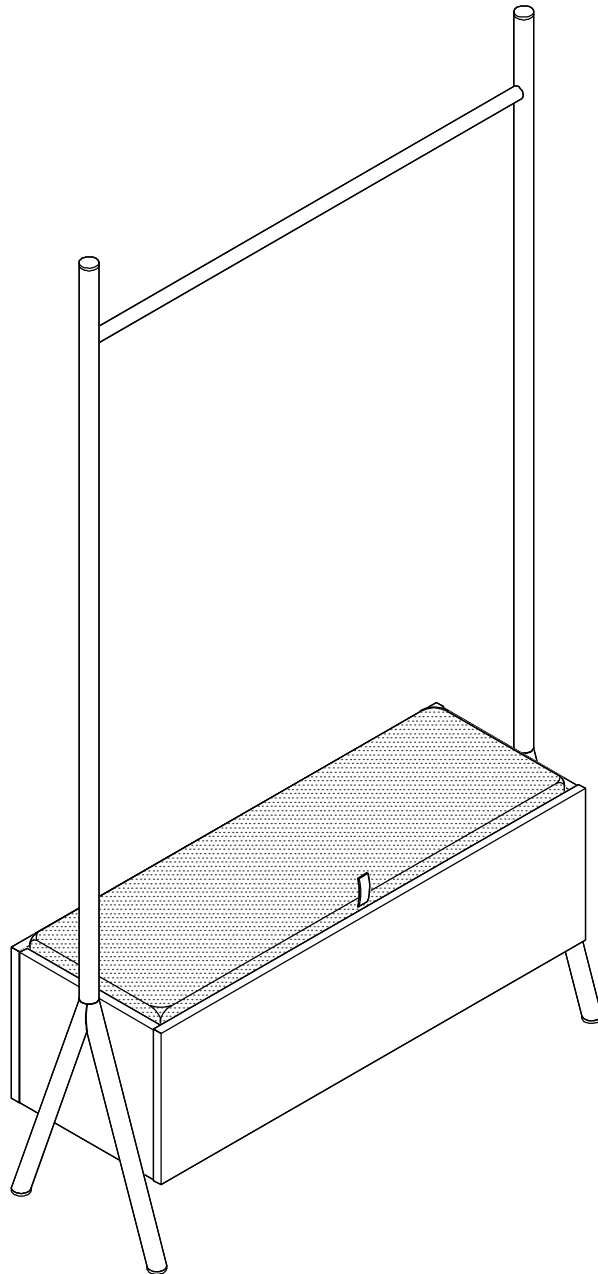




**MANHATTAN
COMFORT**

WC004



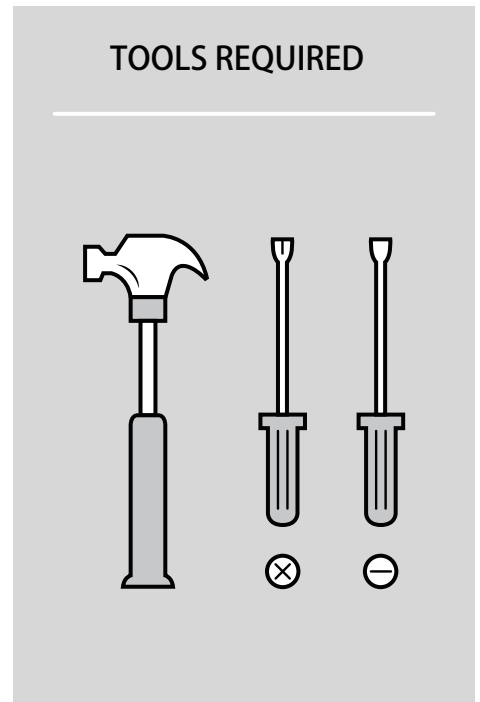
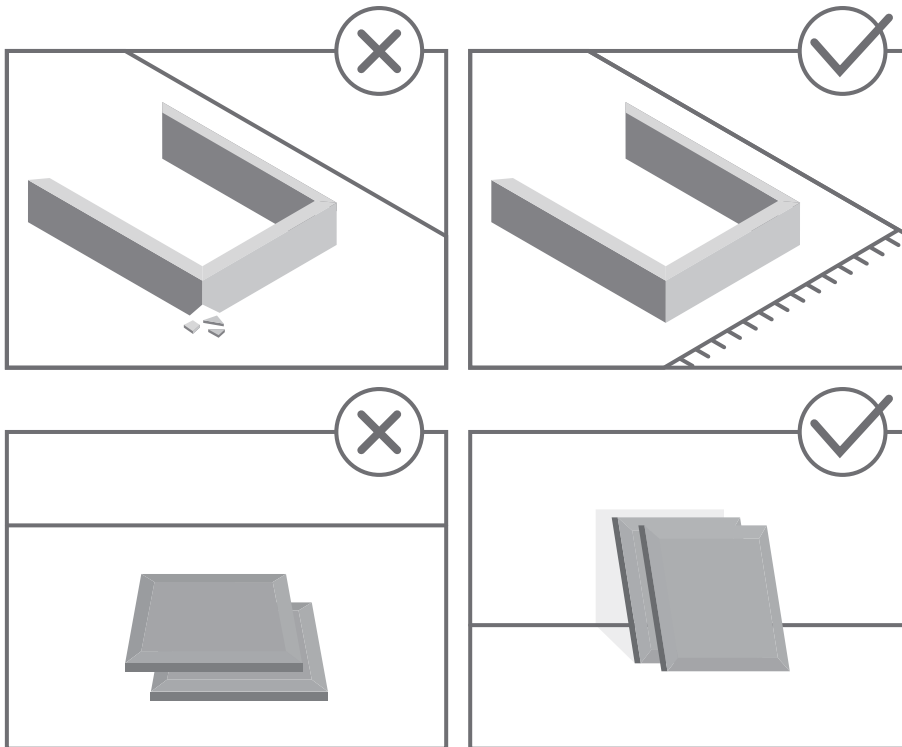


STOP!

Before beginning the assembly process, ensure all boxes and parts have been delivered.

FOR BEST RESULTS:

- Do not throw away packaging materials until assembly is complete.
- Assemble item on a soft surface, such as cardboard or carpet, to protect finish.
- Proper assembly requires two people.



View our assembly video online:
WWW.MANHATTANCOMFORT.COM



Stuck? Question? We are here to help.
tel: 908-888-0818
e-mail: help@manhattancomfort.com

Support Site



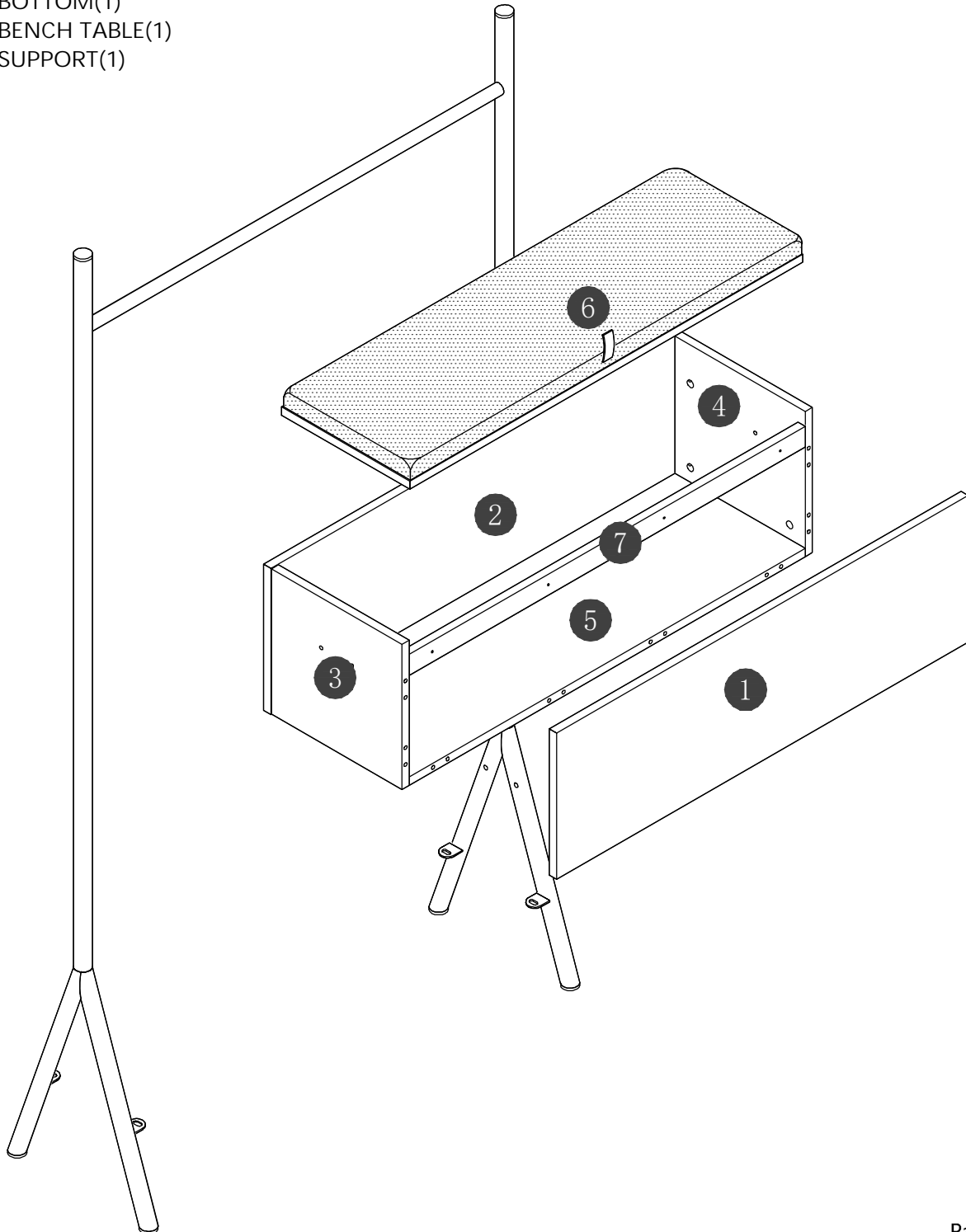
Included in this package:

BOX 01/02

- 1: CABINET FRONT(1)
- 2: BACK(1)
- 3: LEFT END(1)
- 4: RIGHT END(1)
- 5: BOTTOM(1)
- 6: BENCH TABLE(1)
- 7: SUPPORT(1)

BOX 02/02

ALL HARDWARE



Hardware Identification

A: BOLT-22pcs
M6*40mm



B: WOODDOWEL-20pcs
ø8*30mm



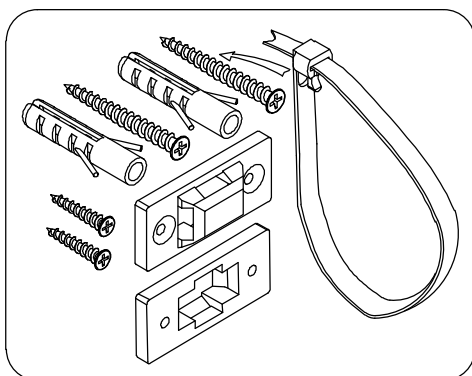
C: GROMMET-22pcs
ø15*12mm



D: PVC STICKER-22pcs
ø21mm



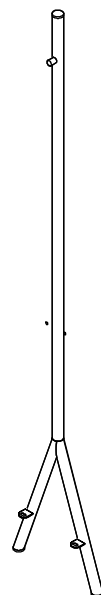
F: BOLT-1sets



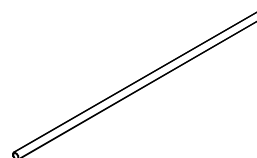
H: SPANNER-1pcs
M4



J-1: LEG-2pcs



J-2: CROSSBAR-1pcs



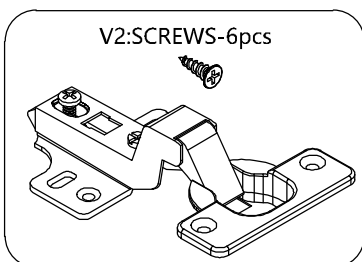
G1: SCREW-6pcs
M6*16mm



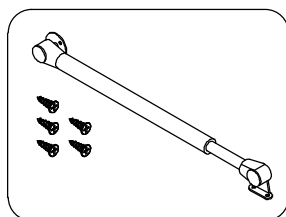
G2: SCREW-4pcs
M6*30mm



I3: HINGE-2pcs



S: GAS STRUT-1pcs



V: SCREWS-4pcs
M4*25mm



Z1: WASHER-4pcs



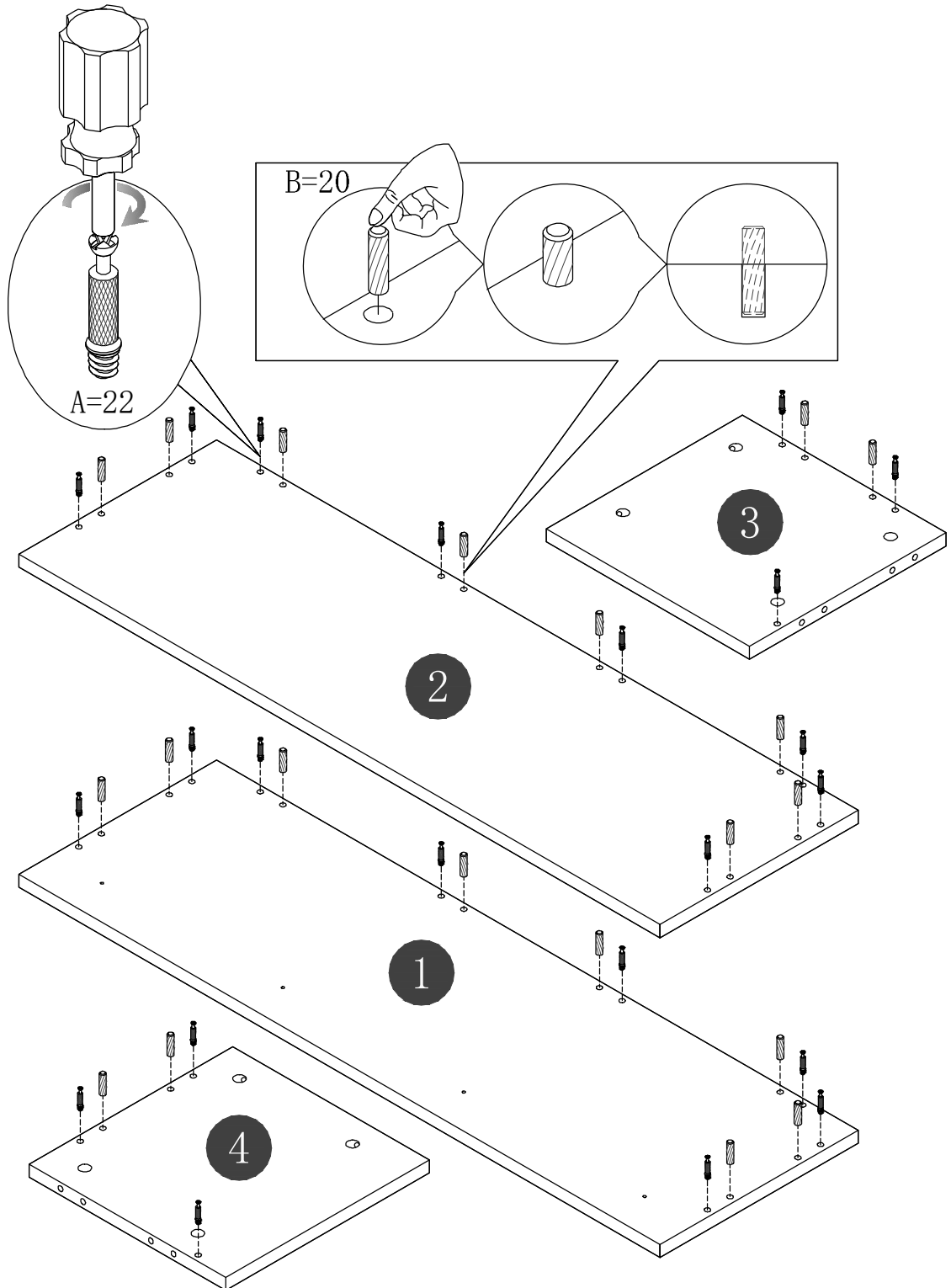
Z2: WASHER-4pcs



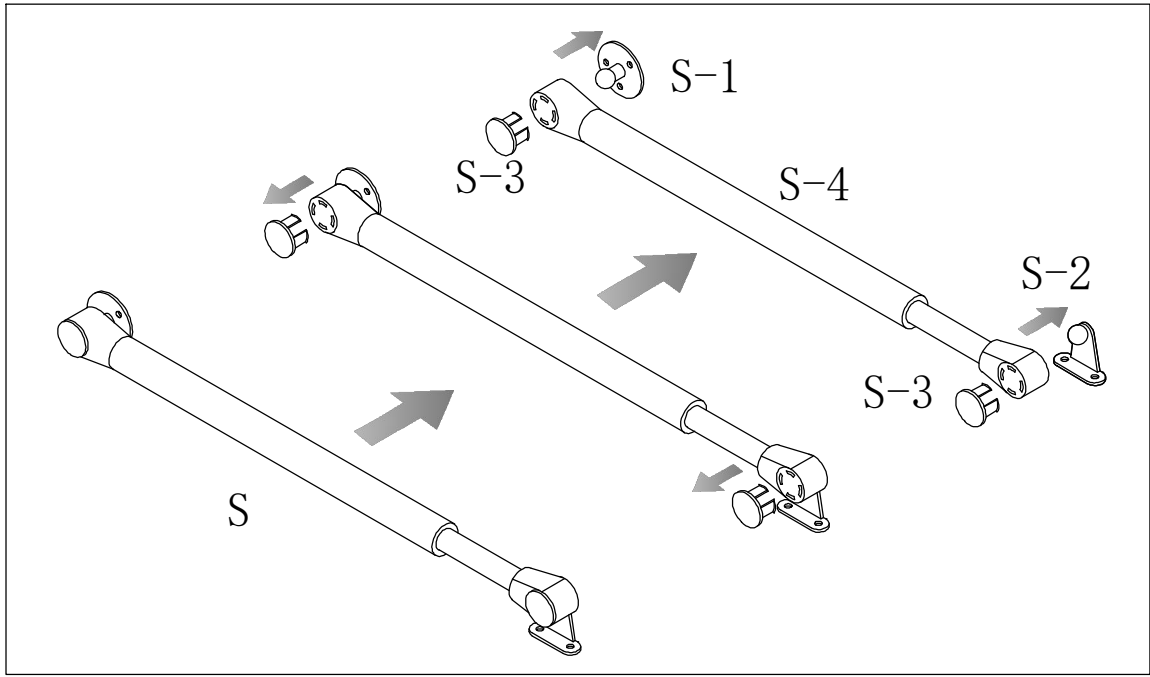
Z3: WASHER-4pcs



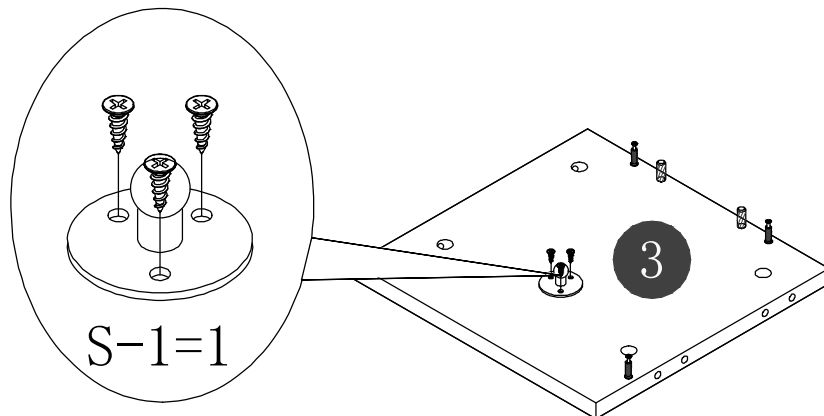
Step 1



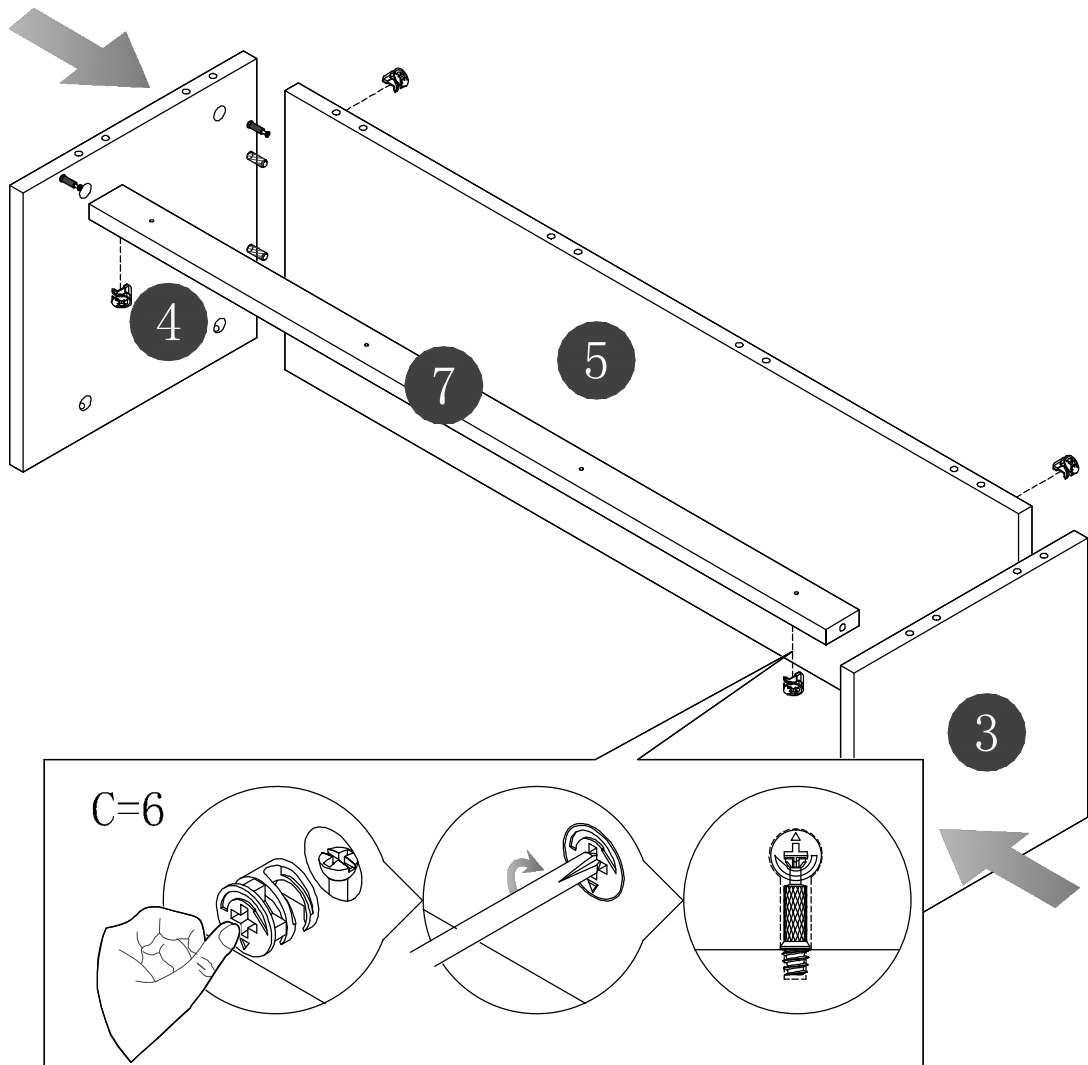
Step 2



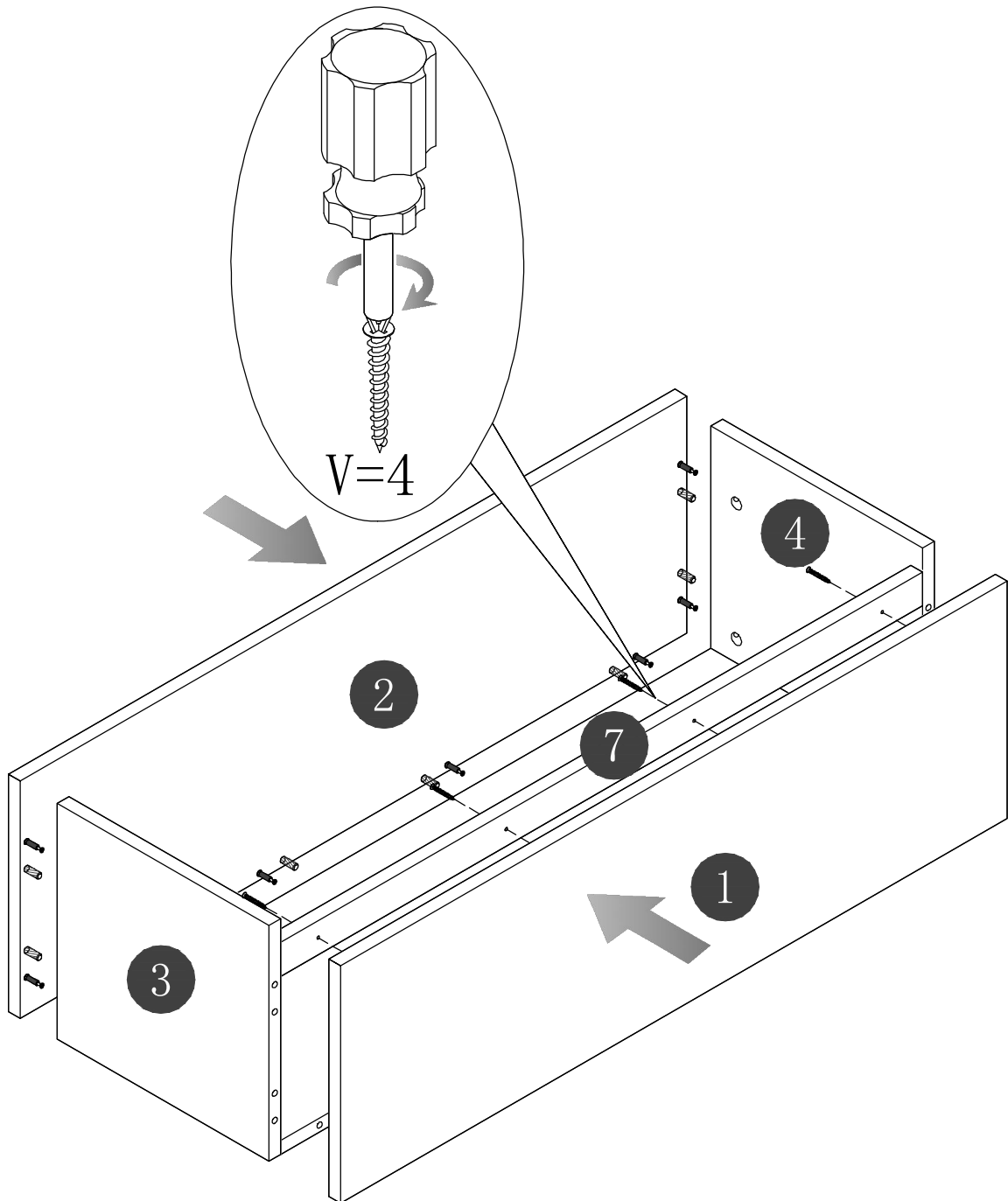
Step 3



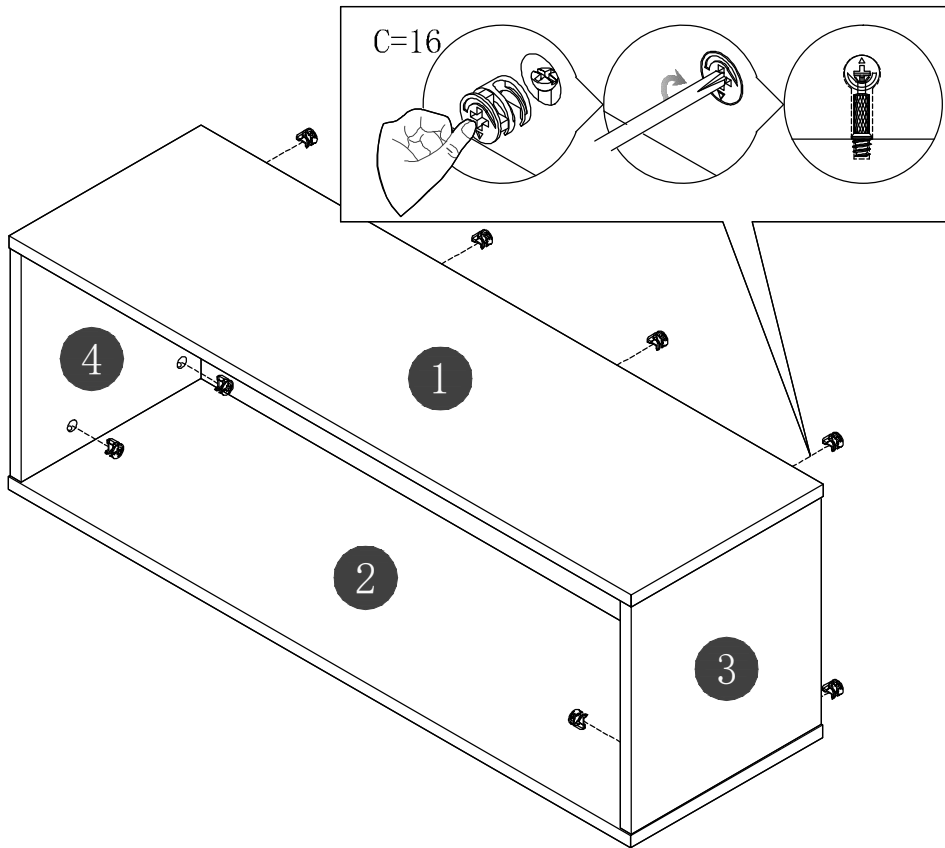
Step 4



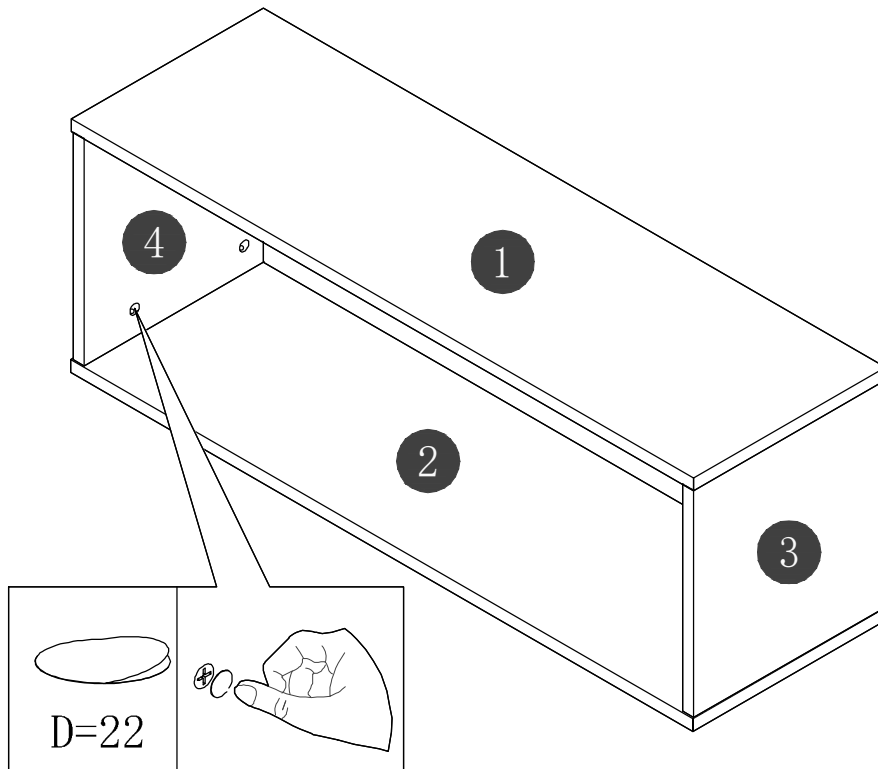
Step 5



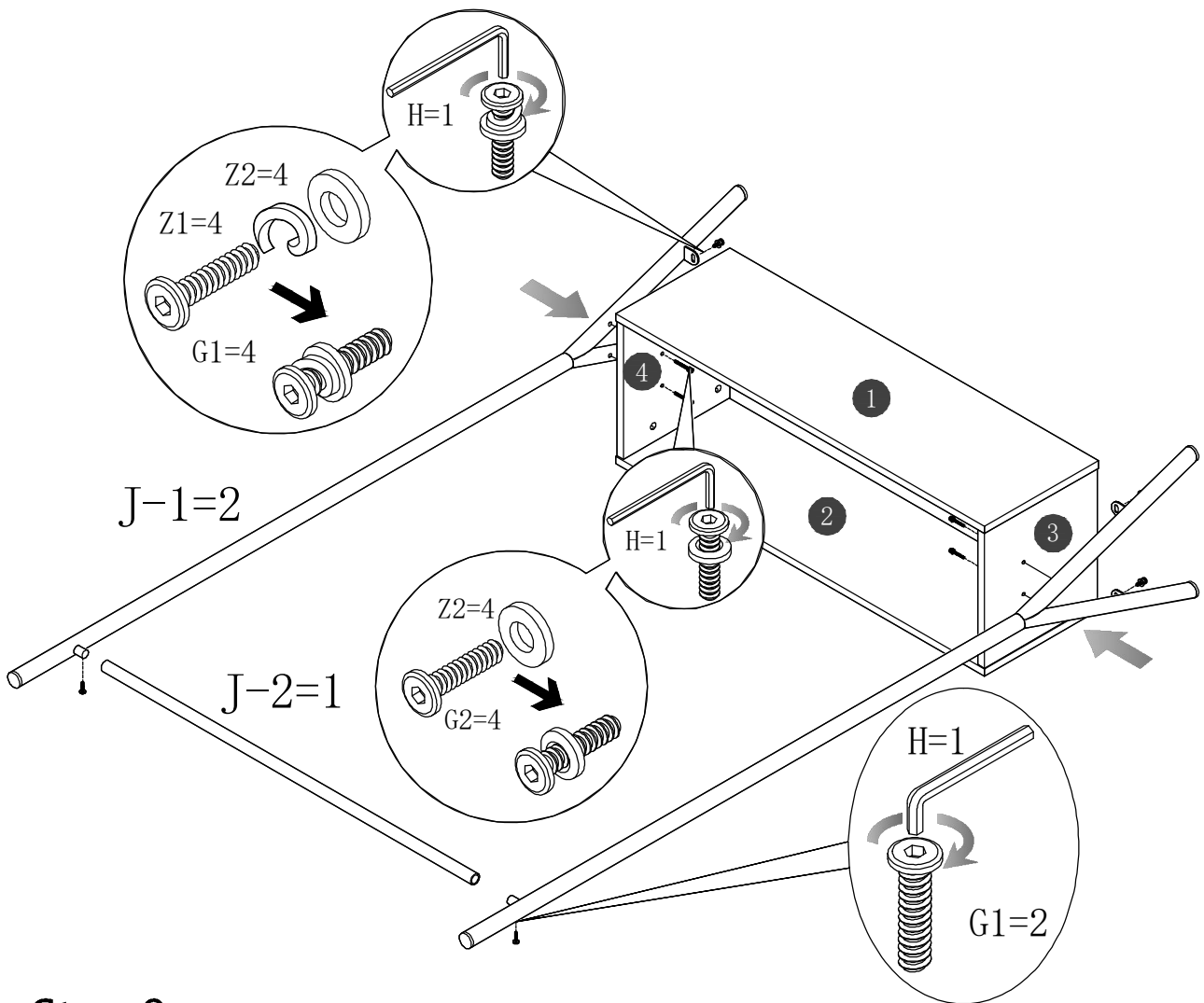
Step 6



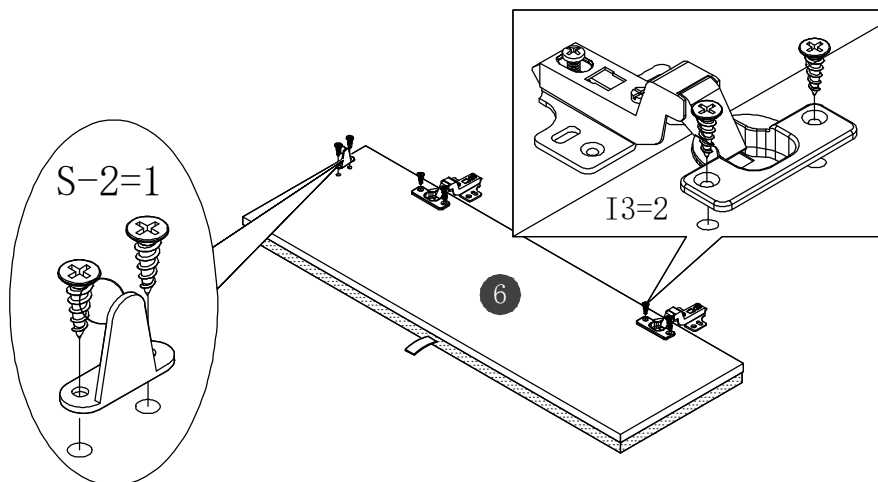
Step 7



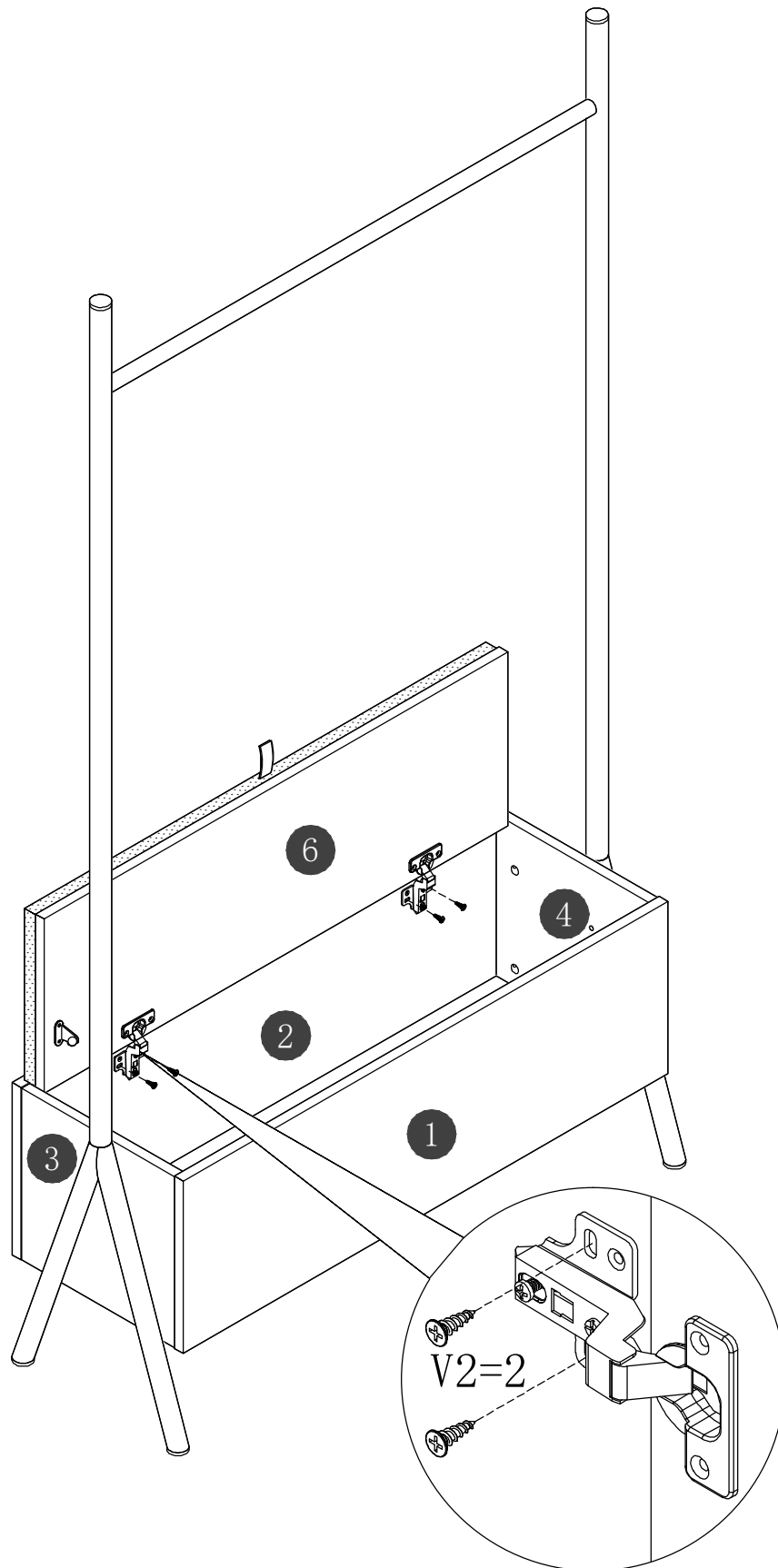
Step 8



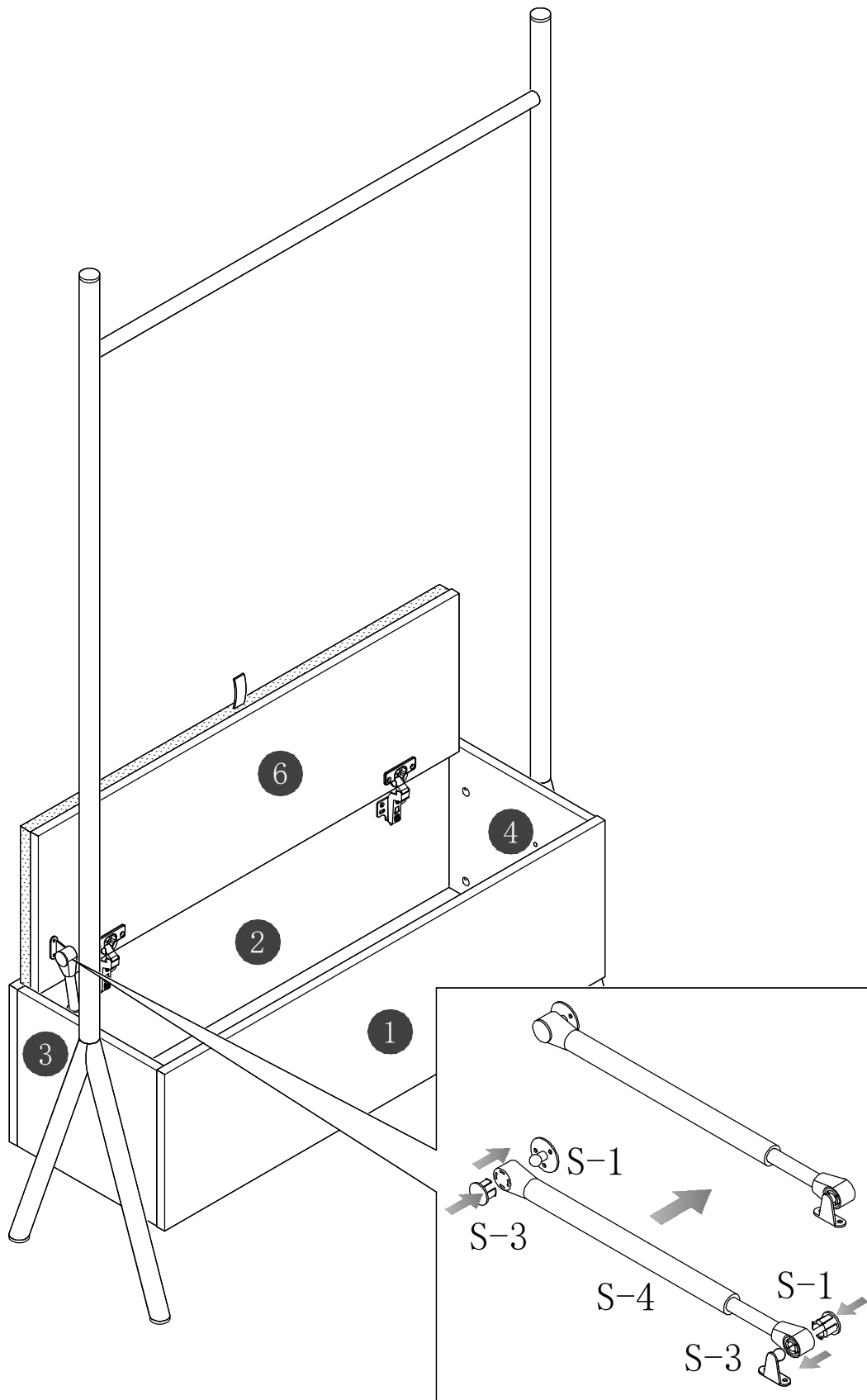
Step 9



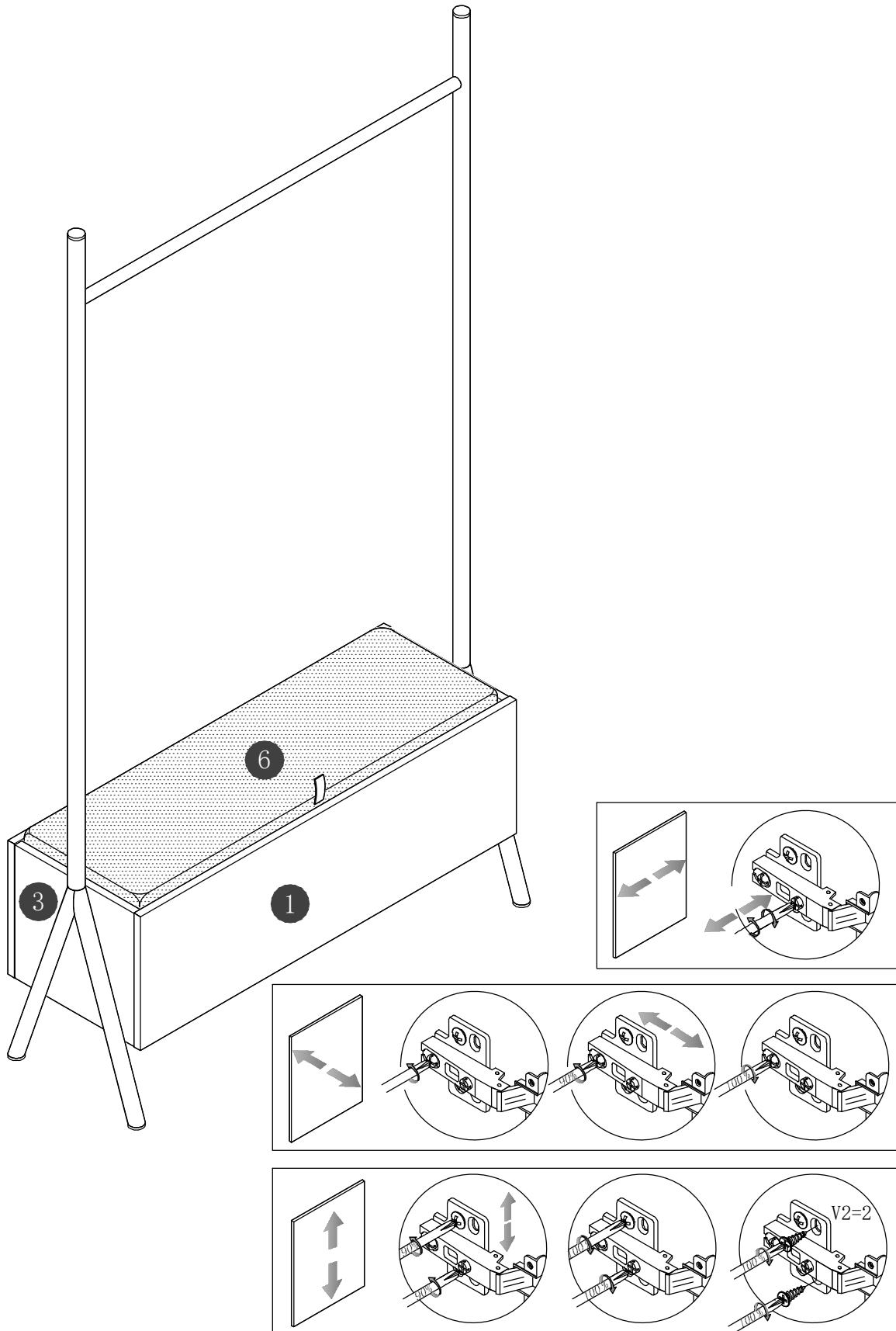
Step 9



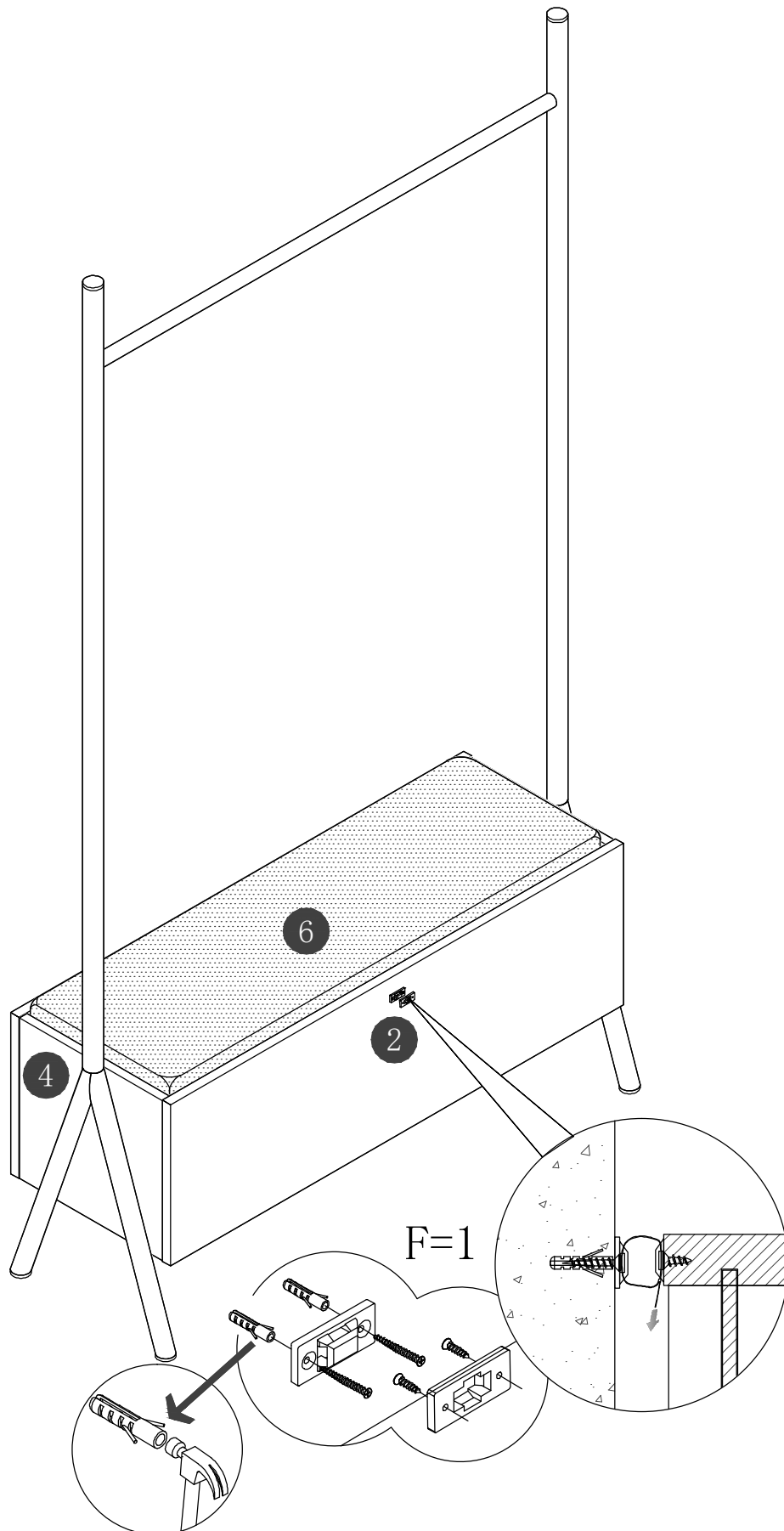
Step 10



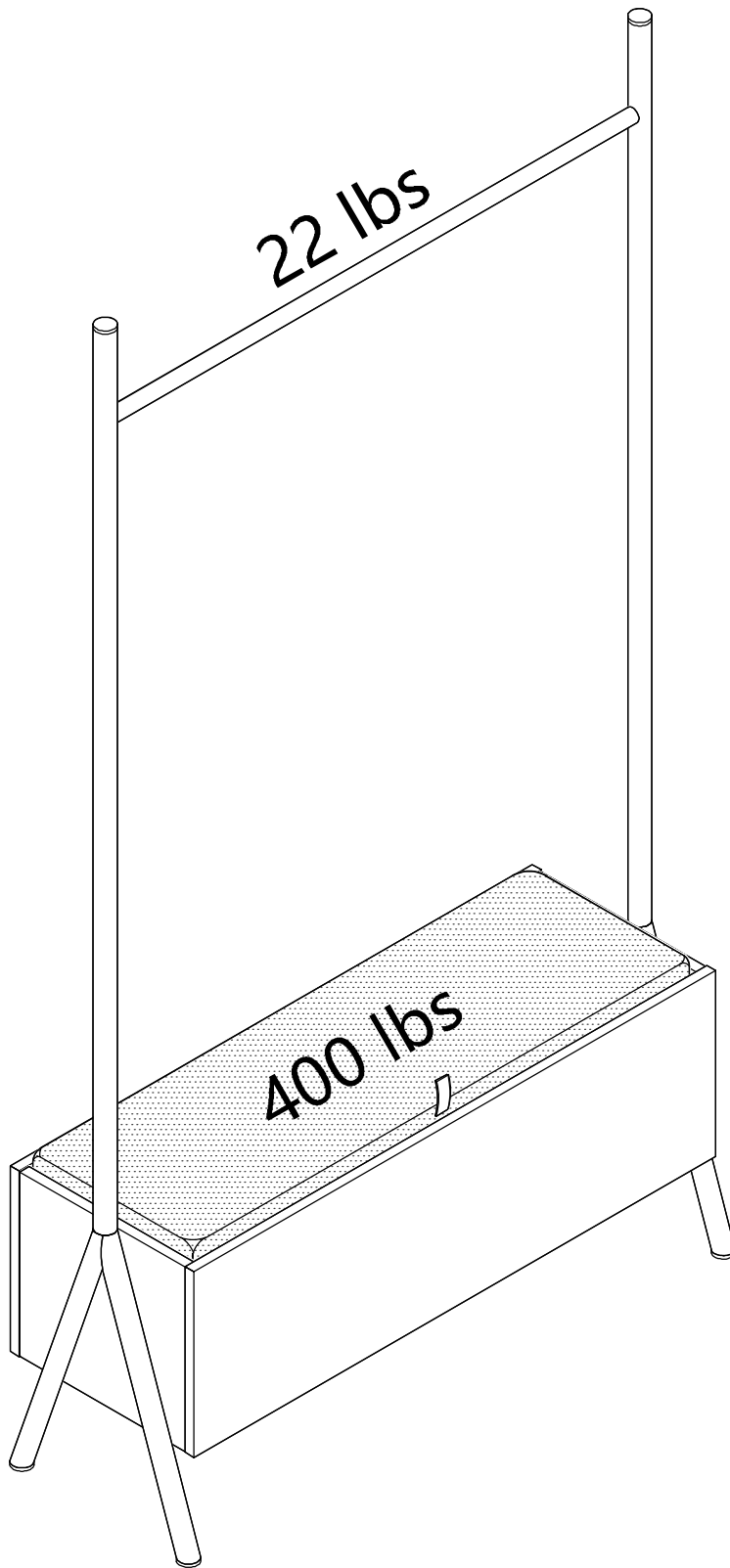
Step 11



Step 12



Step 13





WARRANTY POLICY

All Manhattan Comfort furniture products are warranted, to the original purchaser at the time of purchase and for a period of 30 days thereafter.

Our warranty is limited to new products purchased in factory sealed cartons. This warranty is valid in the United States of America and Canada.

In order to provide you with timely assistance, please thoroughly inspect your furniture for missing or defective parts immediately after opening the carton.

Manhattan Comfort offers a 30-day parts replacement warranty on all items.

Our furniture products are not intended for outdoor use.

THE WARRANTY DOES NOT COVER:

- Defects/damages by improper assembly or disassembly.
- Defects/damages caused by inappropriate use of the furniture.



319 Ridge Rd. Dayton, NJ 08810

908-888-0818