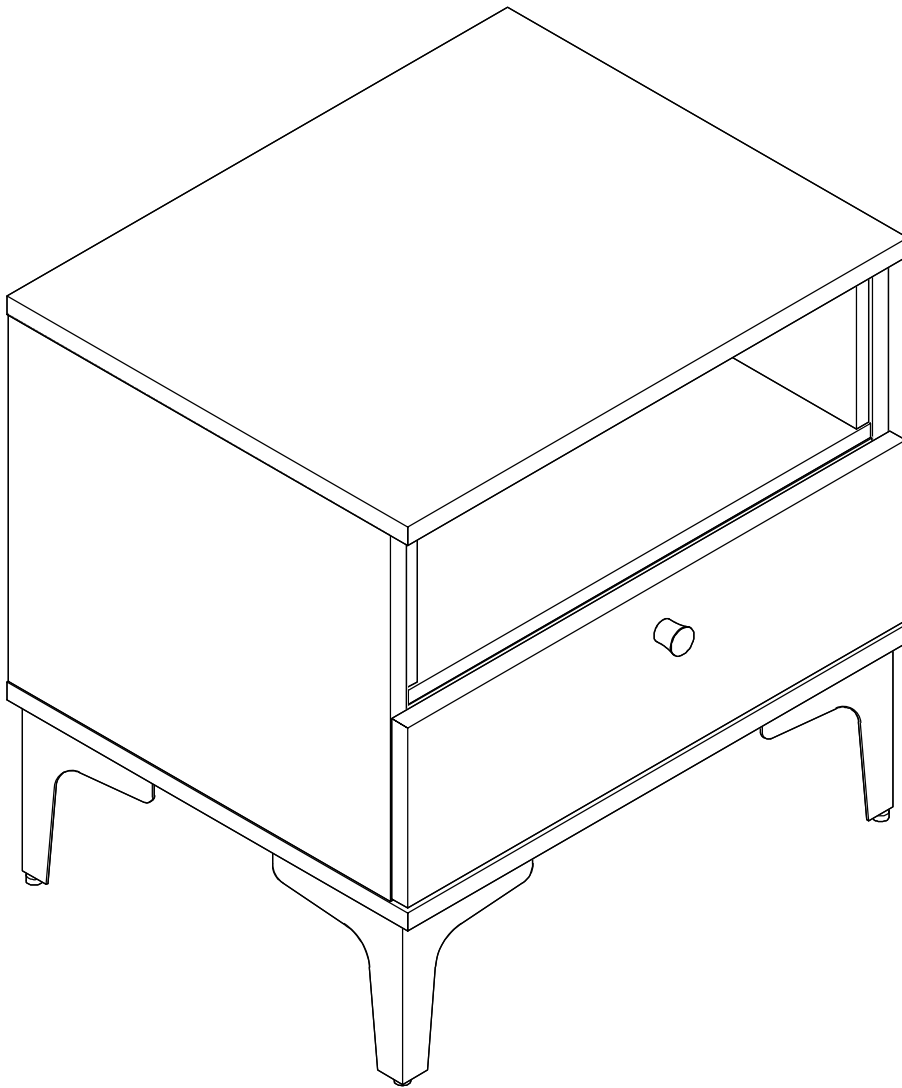




**MANHATTAN
COMFORT**

NS006



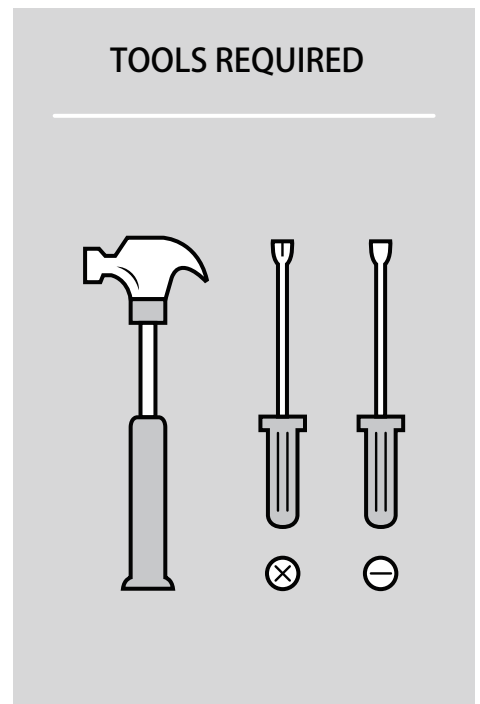
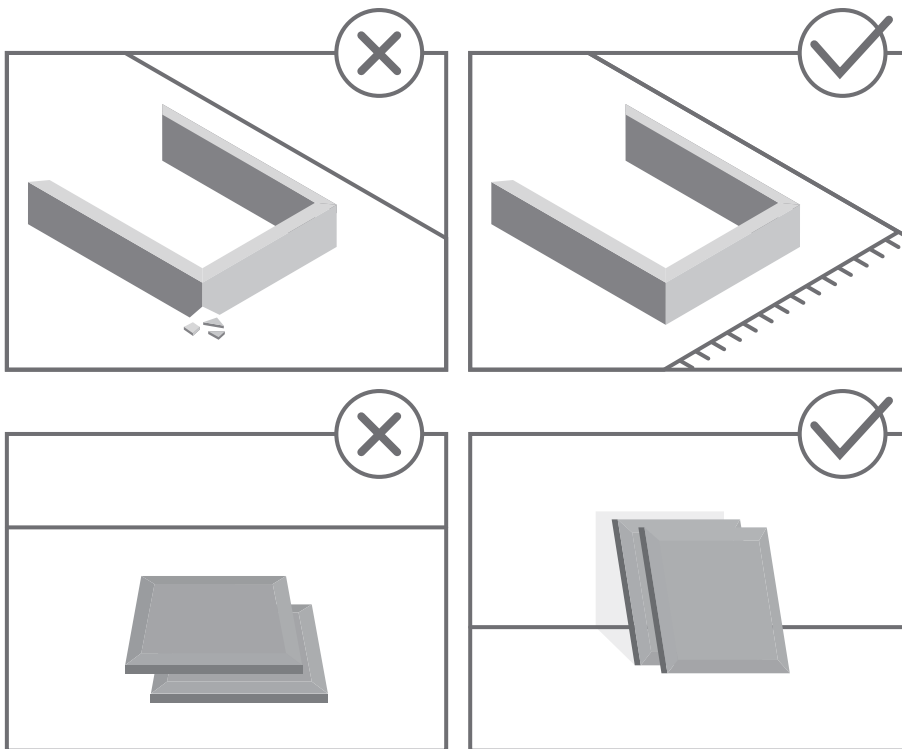


STOP!

Before beginning the assembly process, ensure all boxes and parts have been delivered.

FOR BEST RESULTS:

- Do not throw away packaging materials until assembly is complete.
- Assemble item on a soft surface, such as cardboard or carpet, to protect finish.
- Proper assembly requires two people.



View our assembly video online:
WWW.MANHATTANCOMFORT.COM



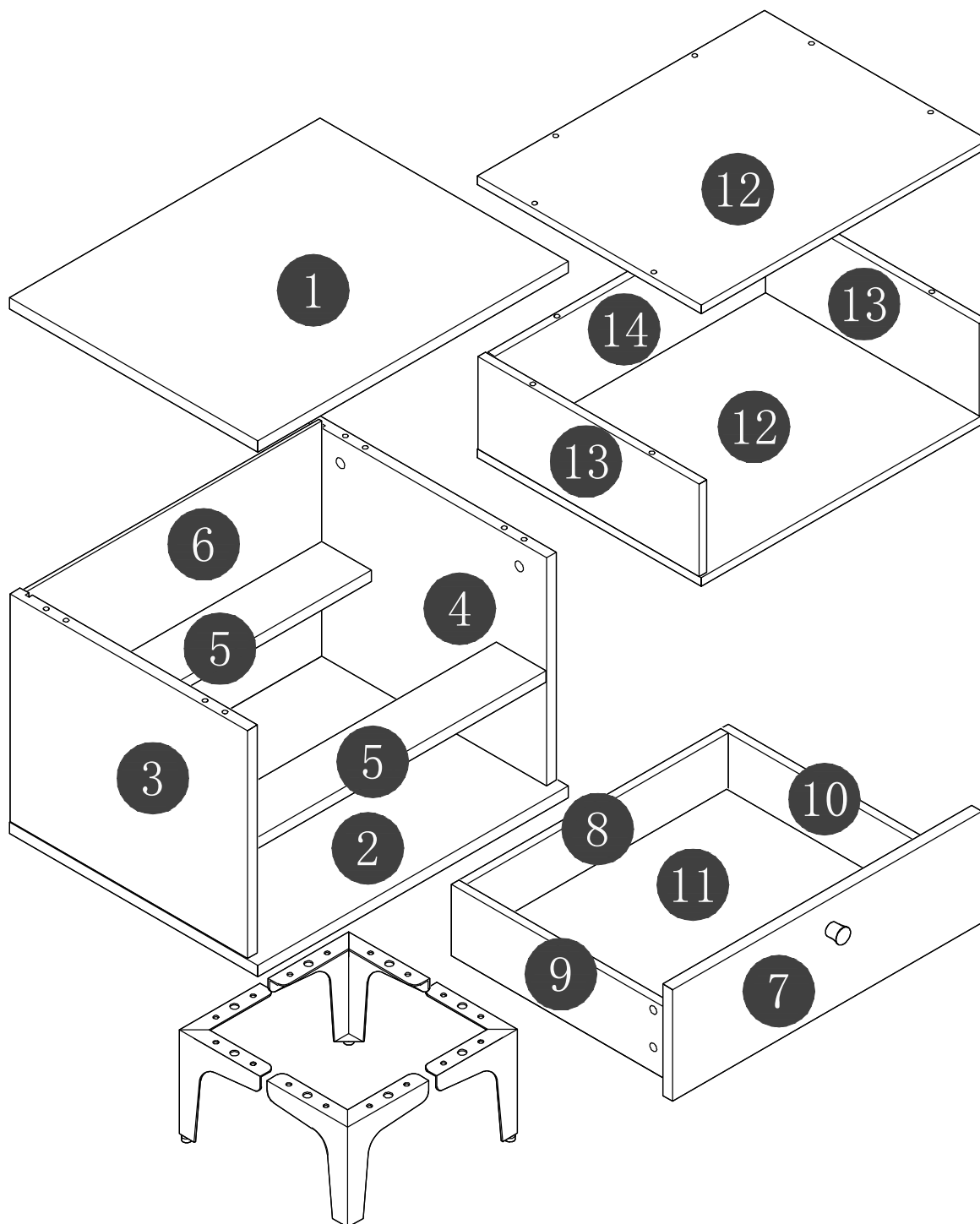
Stuck? Question? We are here to help.
tel: 908-888-0818
e-mail: help@manhattancomfort.com

Support Site



Included in this package:

- 1:TOP(1)
- 2:BOTTOM(1)
- 3:LEFT END(1)
- 4:RIGHT END(1)
- 5:MIDDLE SUPPORT(2)
- 6:BACK(1)
- 7:DRAWER FRONT(1)
- 8:DRAWER BACK(1)
- 9:DRAWER SIDE LEFT(1)
- 10:DRAWER SIDE RIGHT(1)
- 11:DRAWER BOTTOM(1)
- 12:CUBE'S TOP &BOTTOM(1+1)
- 13:CUBE'S LEFT AND RIGHT END(1+1)
- 14:CUBE'S BACK(1)

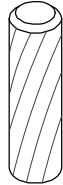


Hardware Identification

A: BOLT-8pcs
M6*40mm



B: WOODDOWEL-12pcs
ø8*30mm



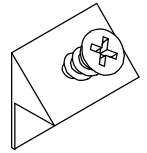
C: GROMMET-8pcs
ø15*12mm



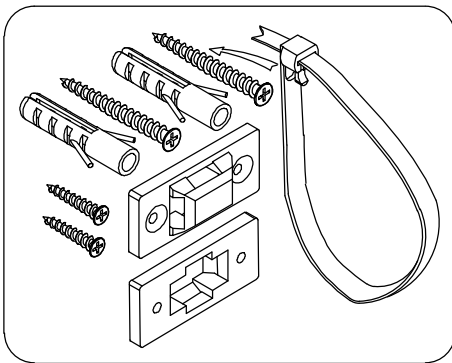
D: PVC STICKER-16pcs
ø21mm



E: BOLT-4pcs



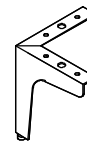
F: BOLT-1sets



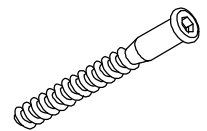
H: SPANNER-1pcs
M4



J: LEG-4pcs



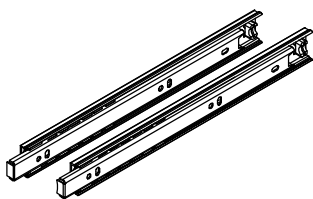
Q: BOLT-16pcs
ø7*50mm



G: SCREW-8pcs
M6*16mm



N: DRAWER SLIDE-1pair



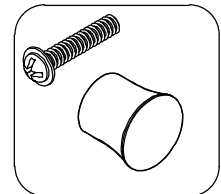
O: BOLT-8pcs
M6*34mm



P: BOLT-8pcs
ø12*10.5mm



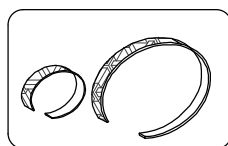
U: BOLT-1pair



V1: SCREWS-8pcs
M3.5*12mm



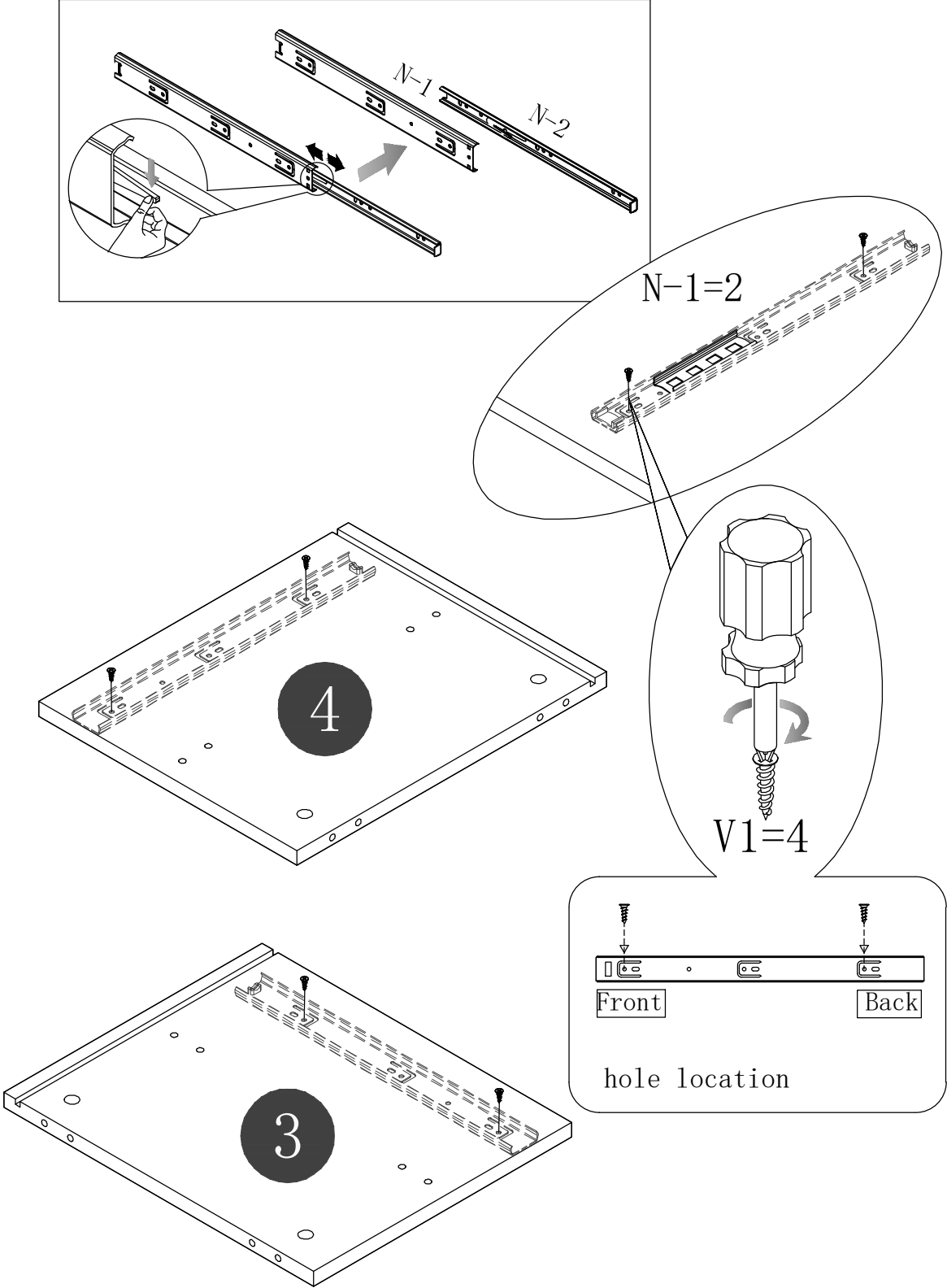
Y: FELT STRIP-1pcs



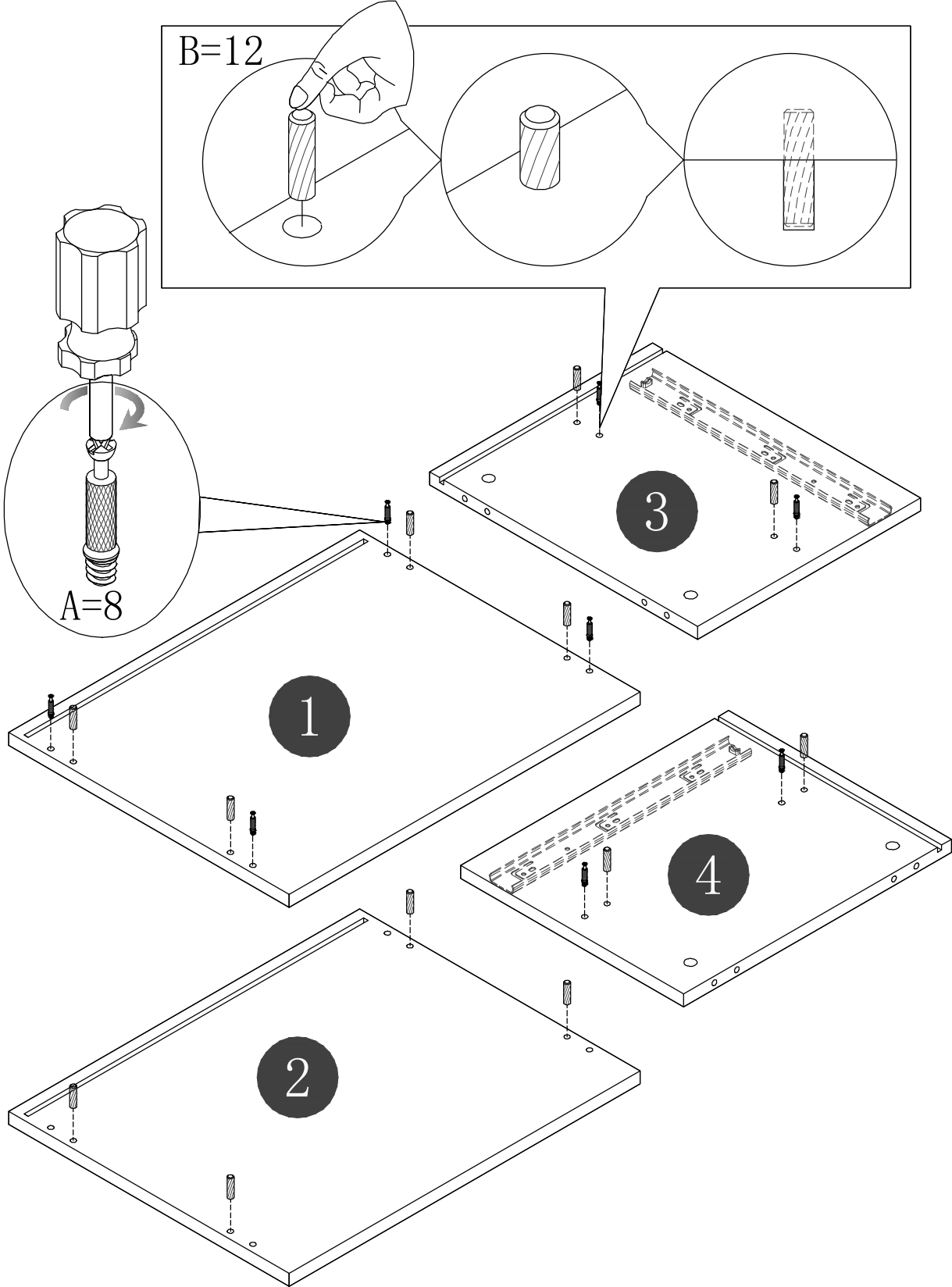
Z2: WASHER-8pcs



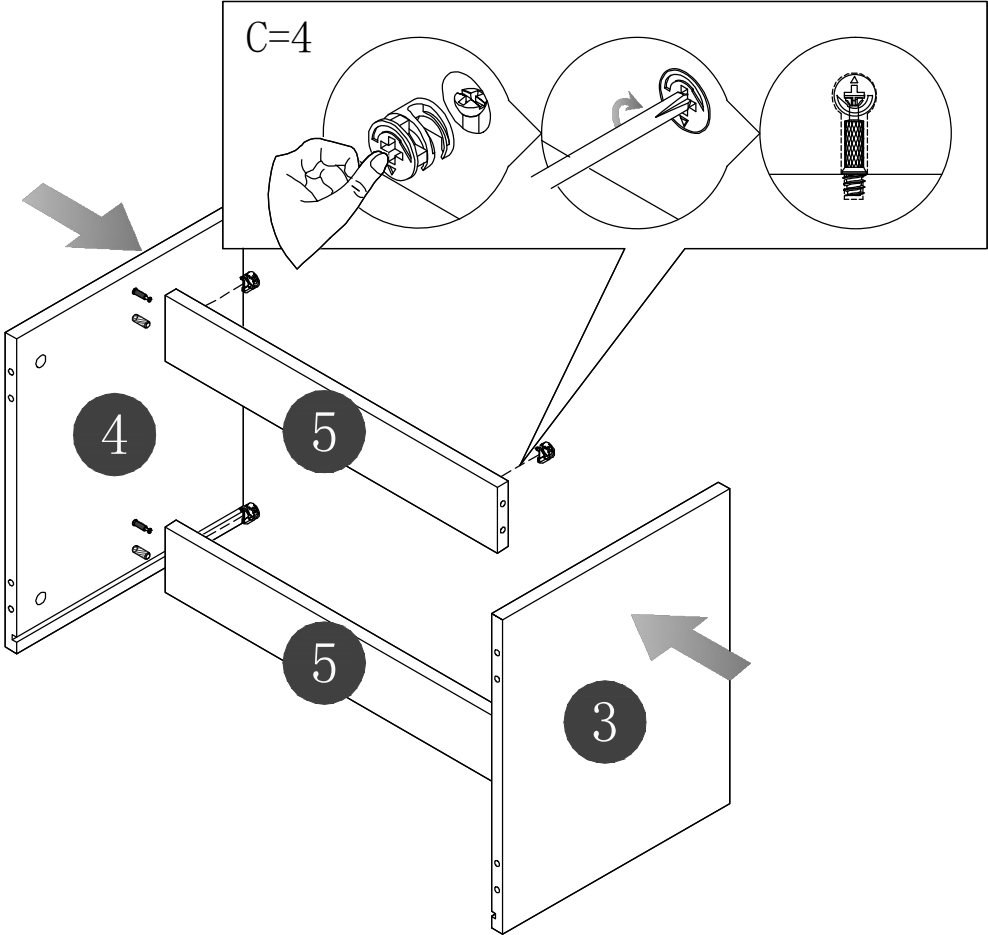
Step 1



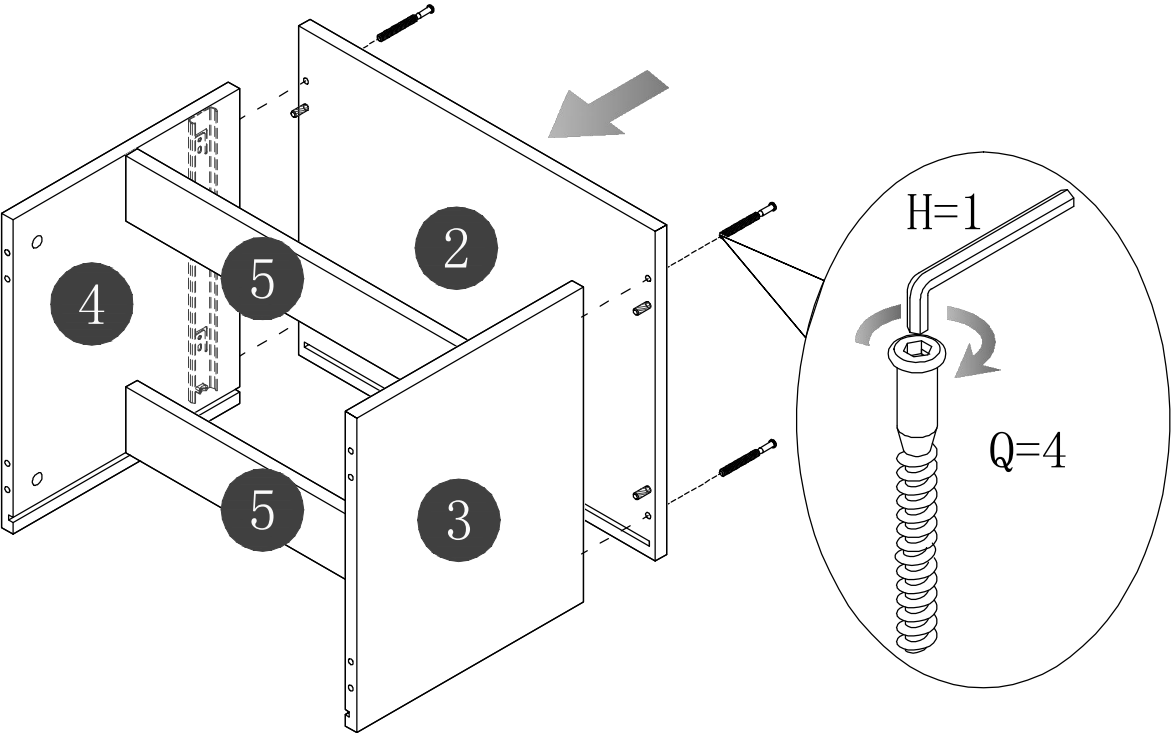
Step 2



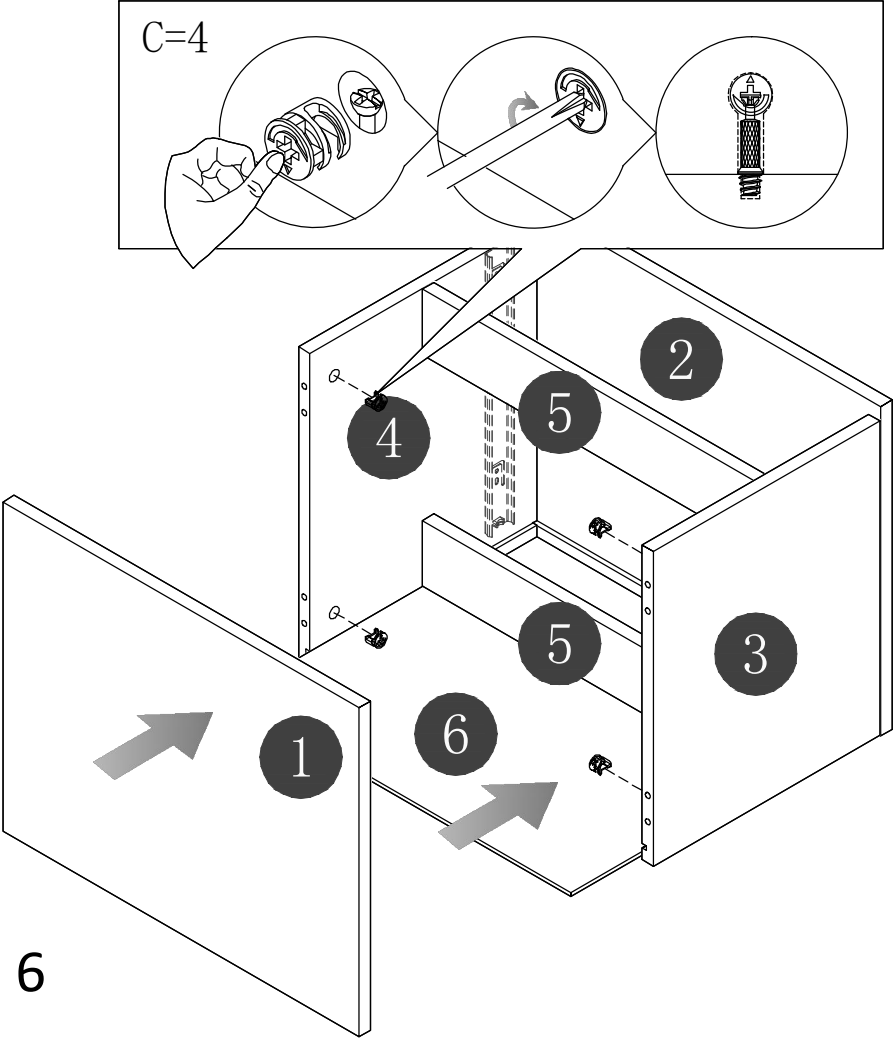
Step 3



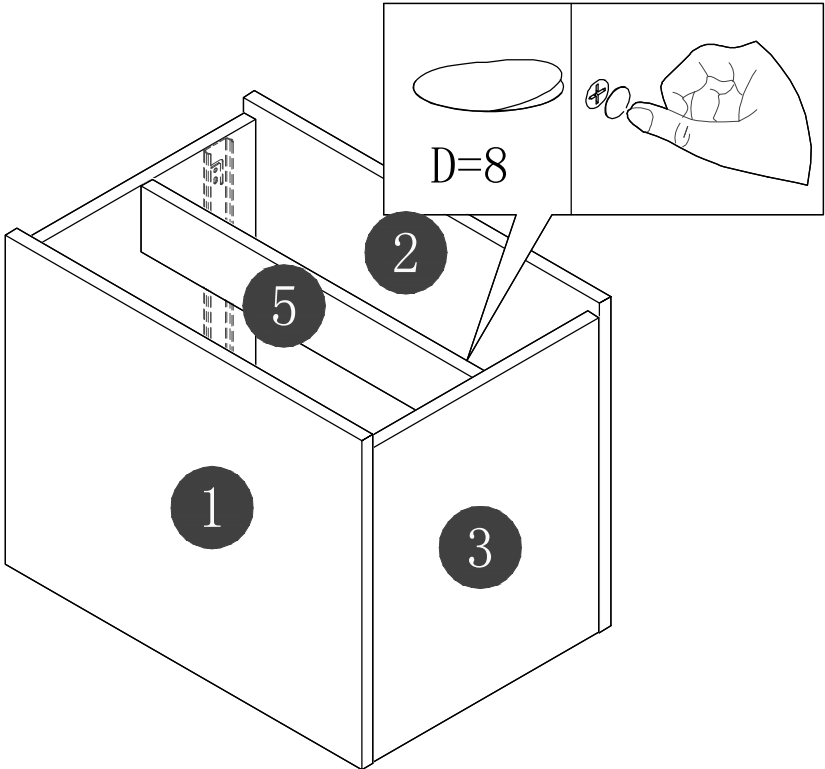
Step 4



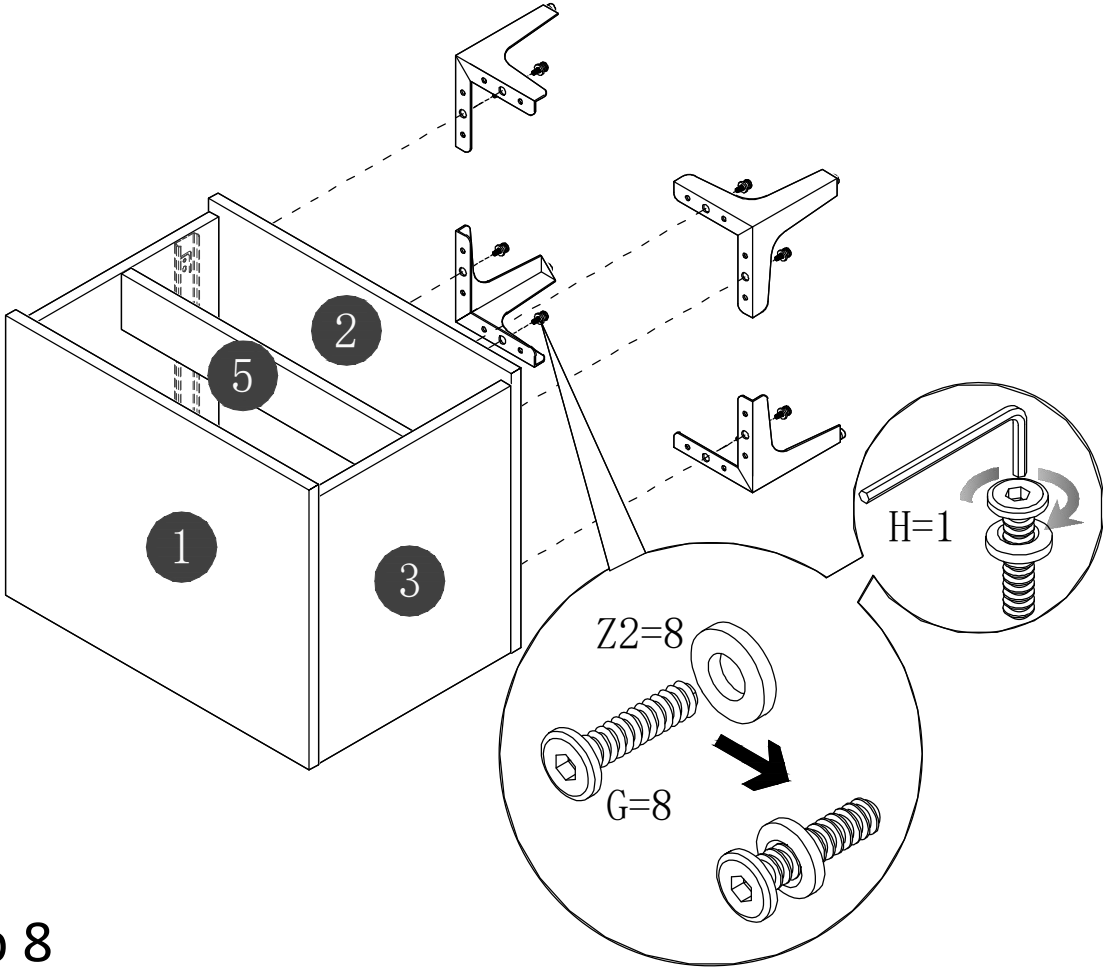
Step 5



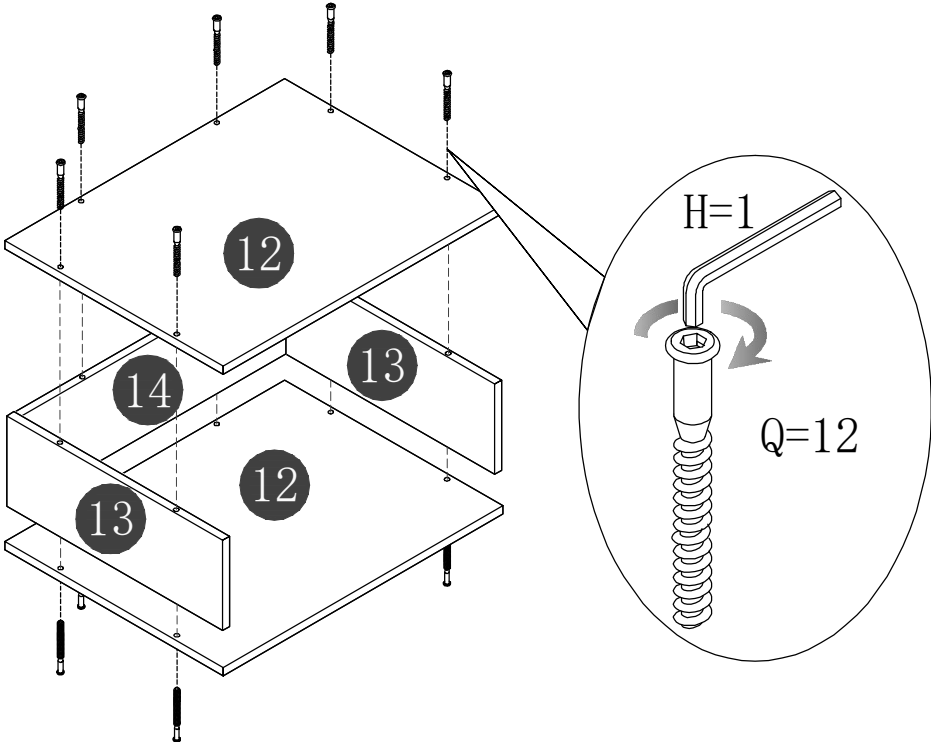
Step 6



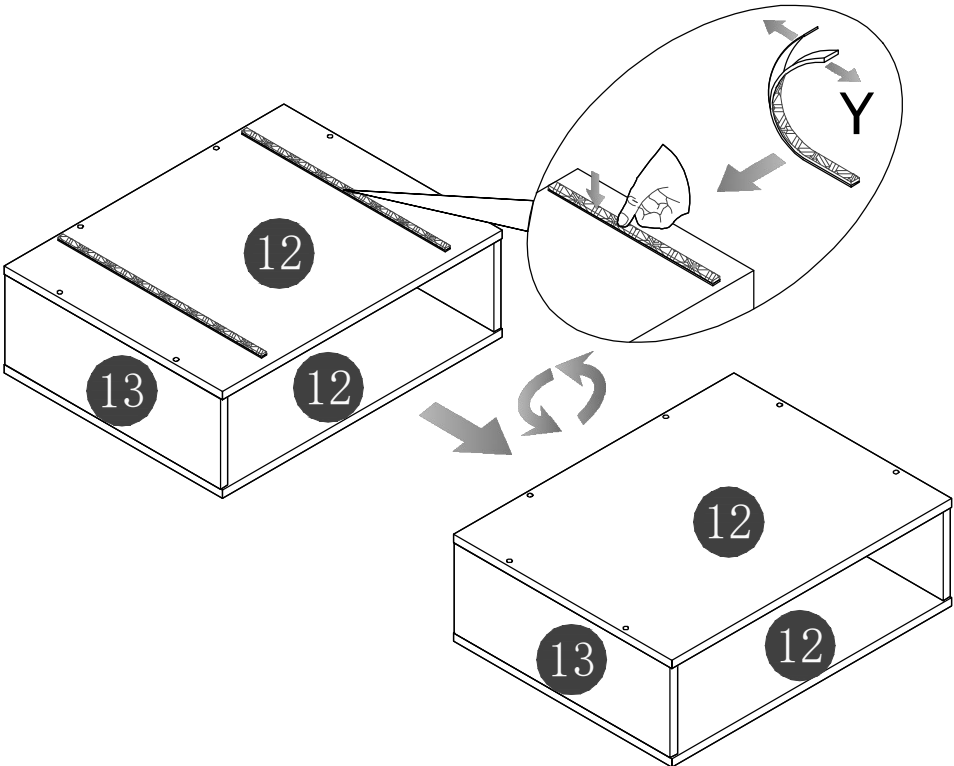
Step 7



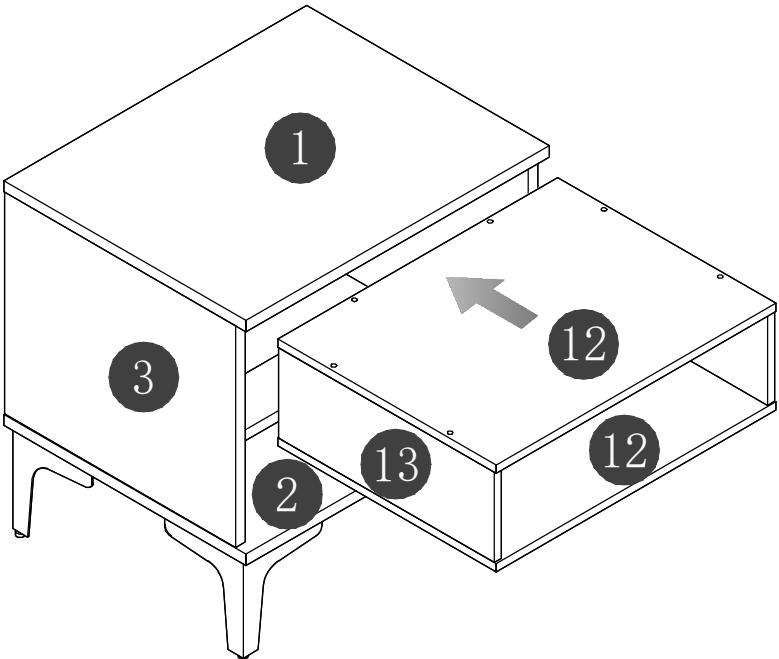
Step 8



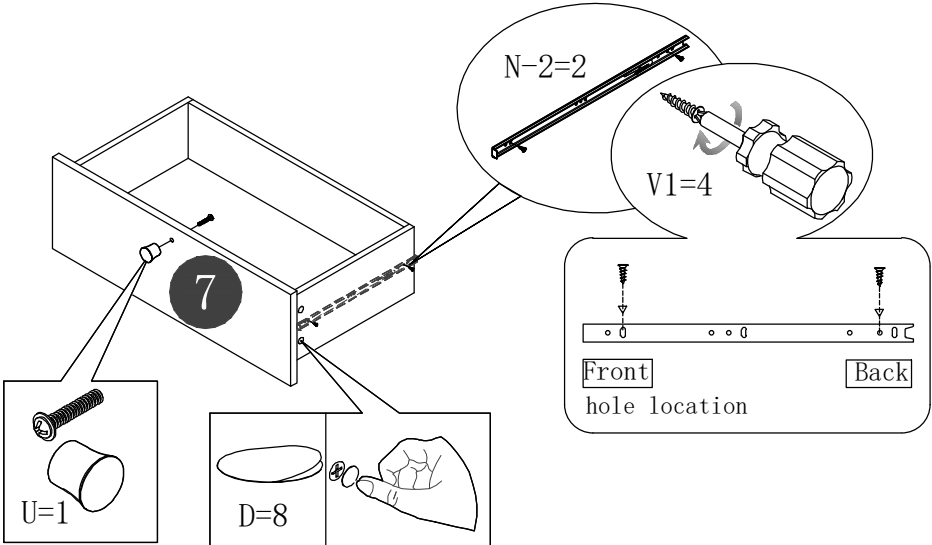
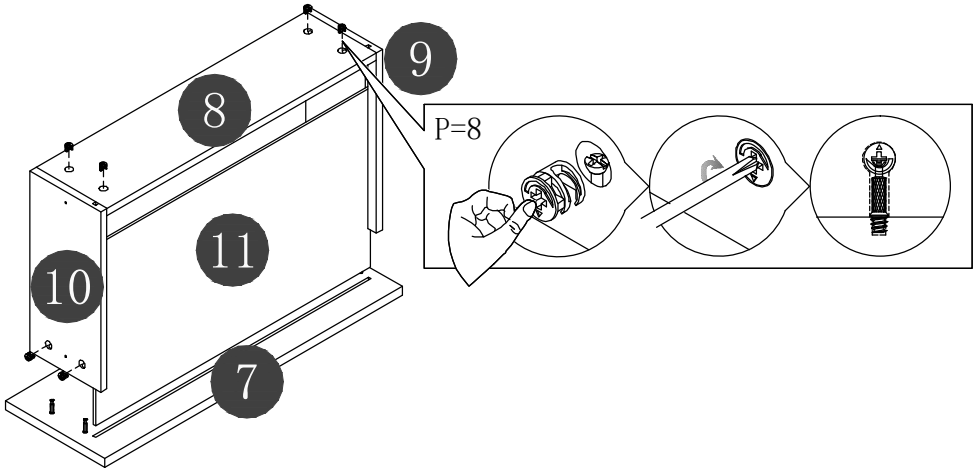
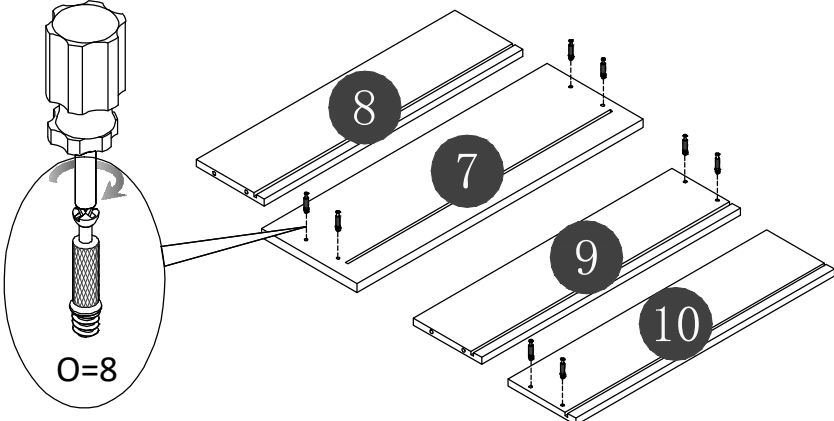
Step 9



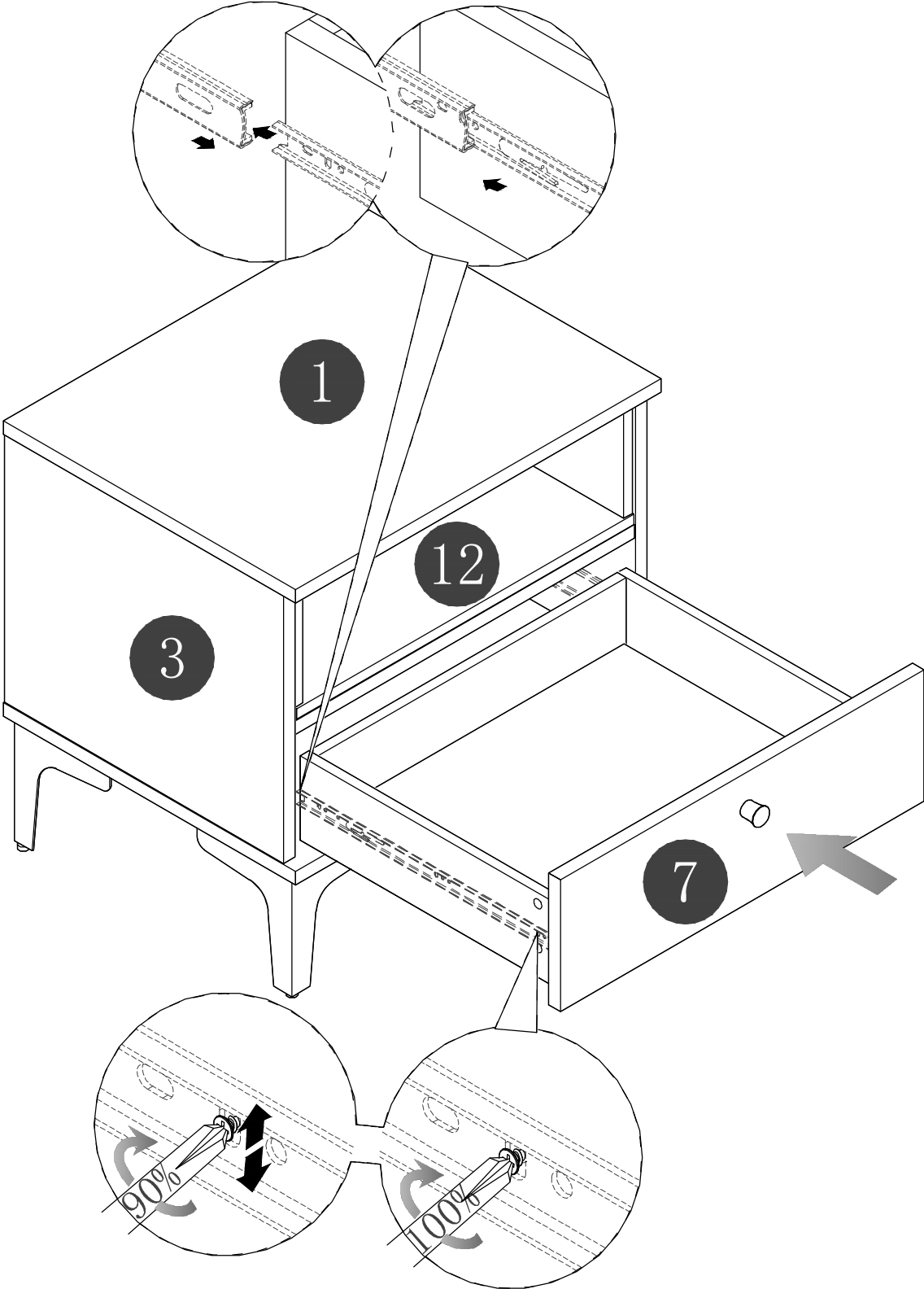
Step 10



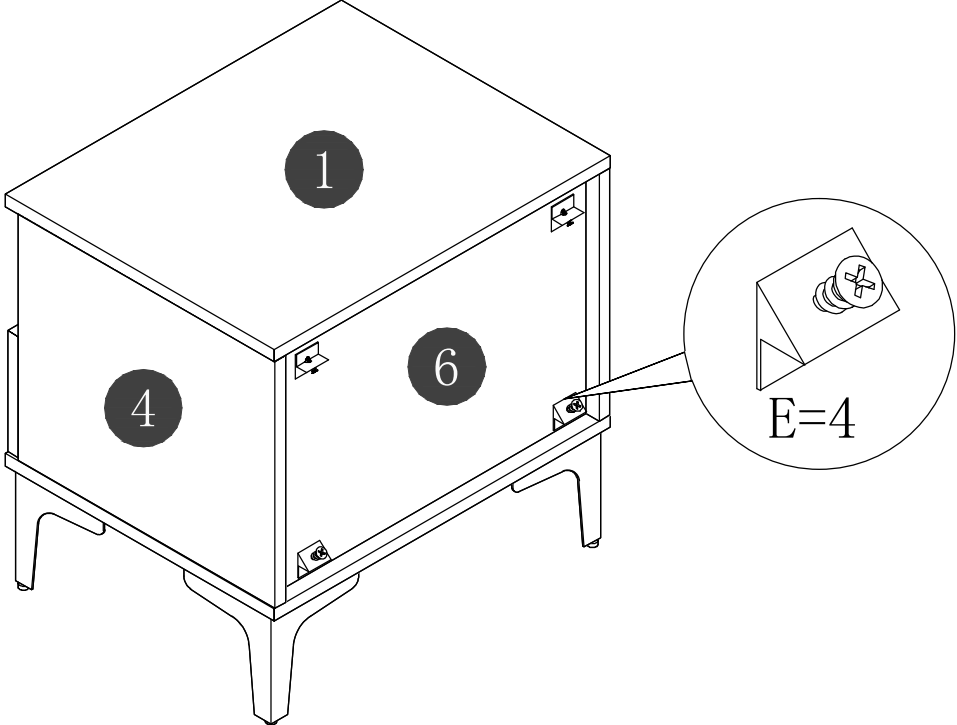
Step 11



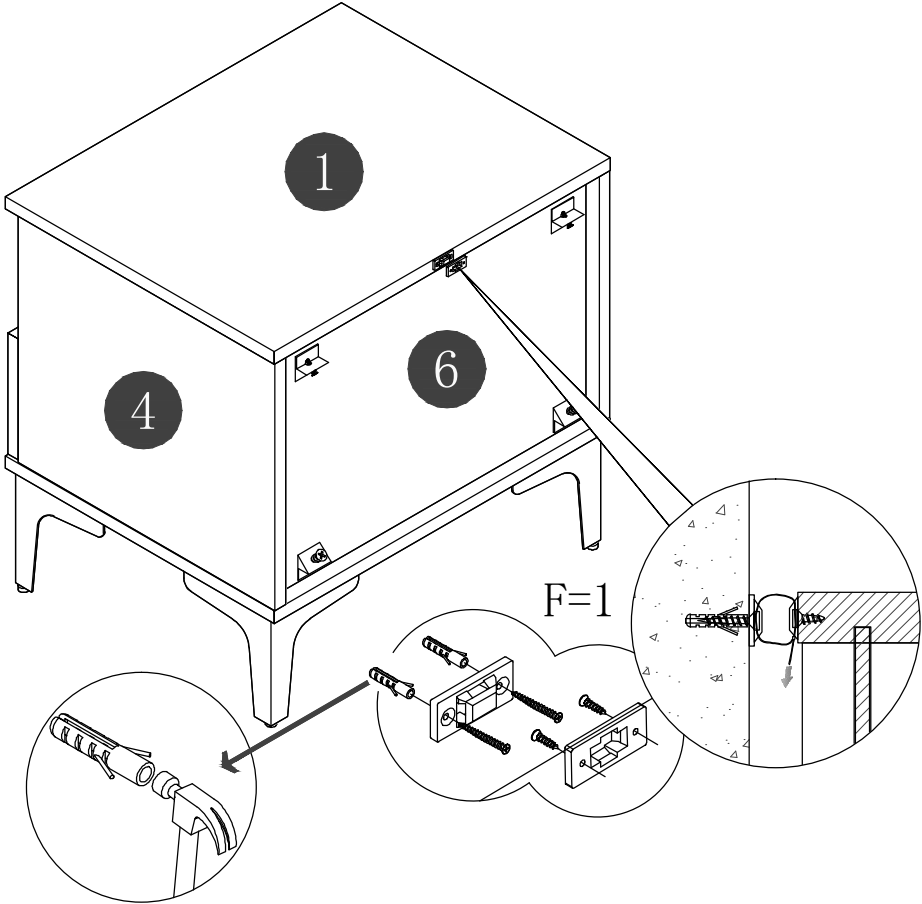
Step 12



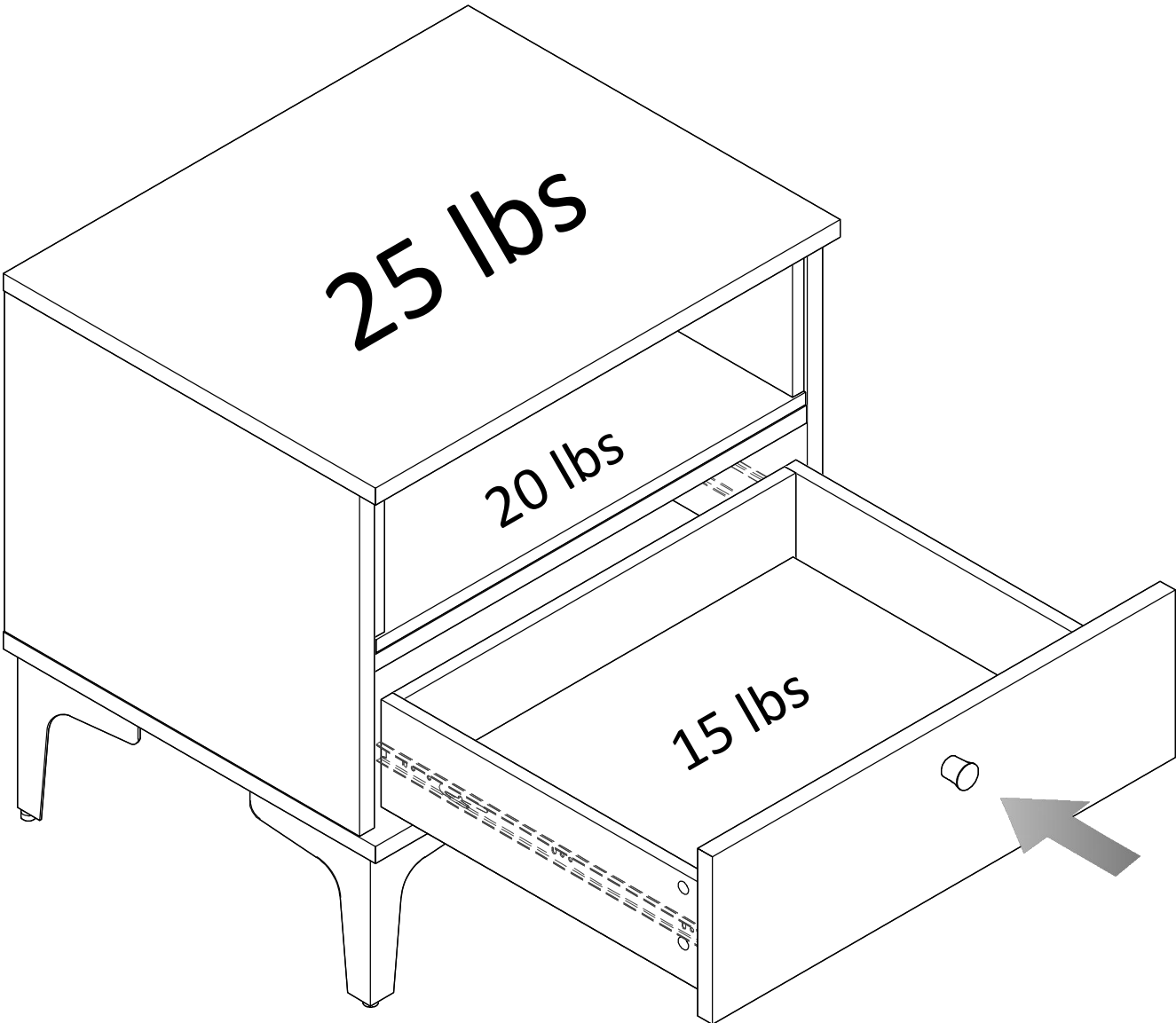
Step 13



Step 14



Step 15





WARRANTY POLICY

All Manhattan Comfort furniture products are warranted, to the original purchaser at the time of purchase and for a period of 30 days thereafter.

Our warranty is limited to new products purchased in factory sealed cartons. This warranty is valid in the United States of America and Canada.

In order to provide you with timely assistance, please thoroughly inspect your furniture for missing or defective parts immediately after opening the carton.

Manhattan Comfort offers a 30-day parts replacement warranty on all items.

Our furniture products are not intended for outdoor use.

THE WARRANTY DOES NOT COVER:

- Defects/damages by improper assembly or disassembly.
- Defects/damages caused by inappropriate use of the furniture.



319 Ridge Rd. Dayton, NJ 08810

908-888-0818