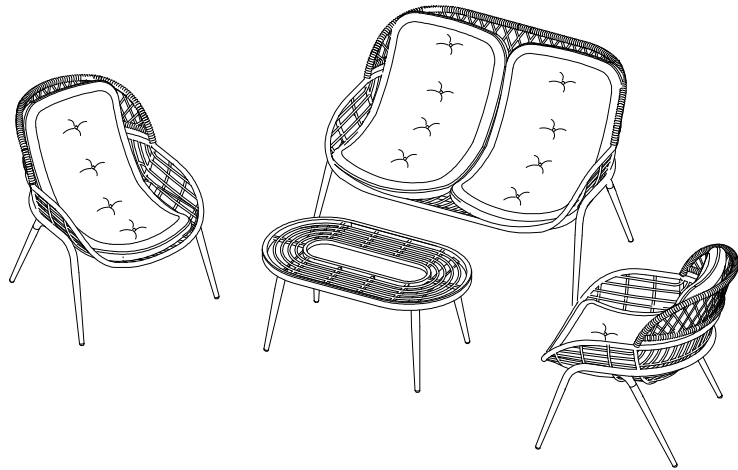


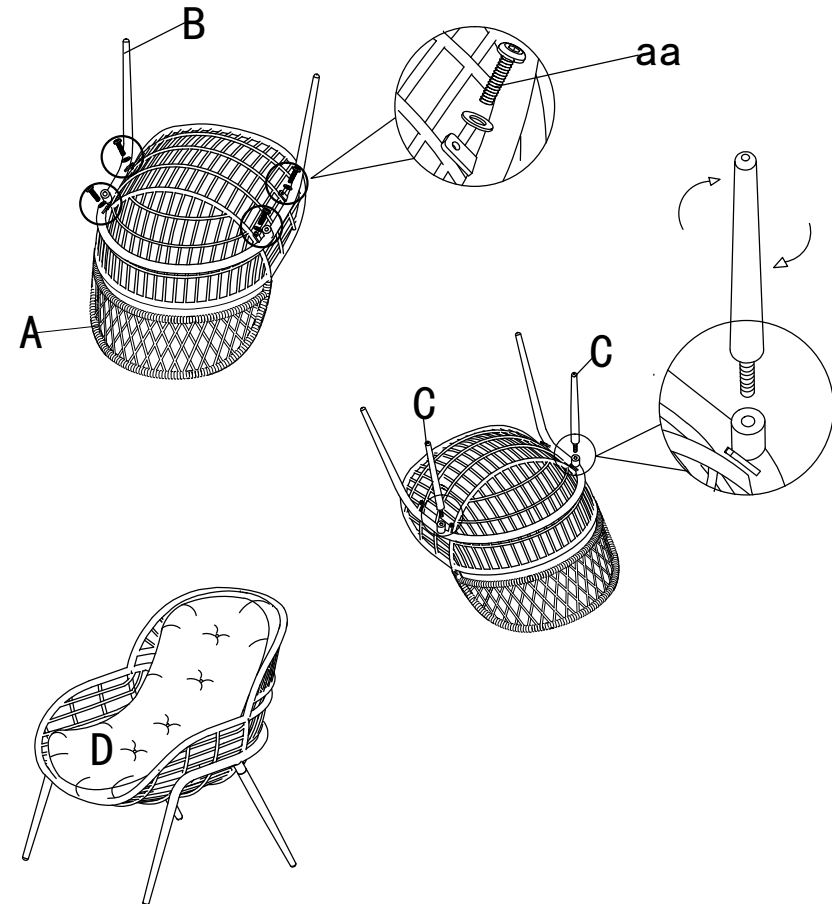





**MANHATTAN
COMFORT**


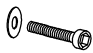

OD-CV022

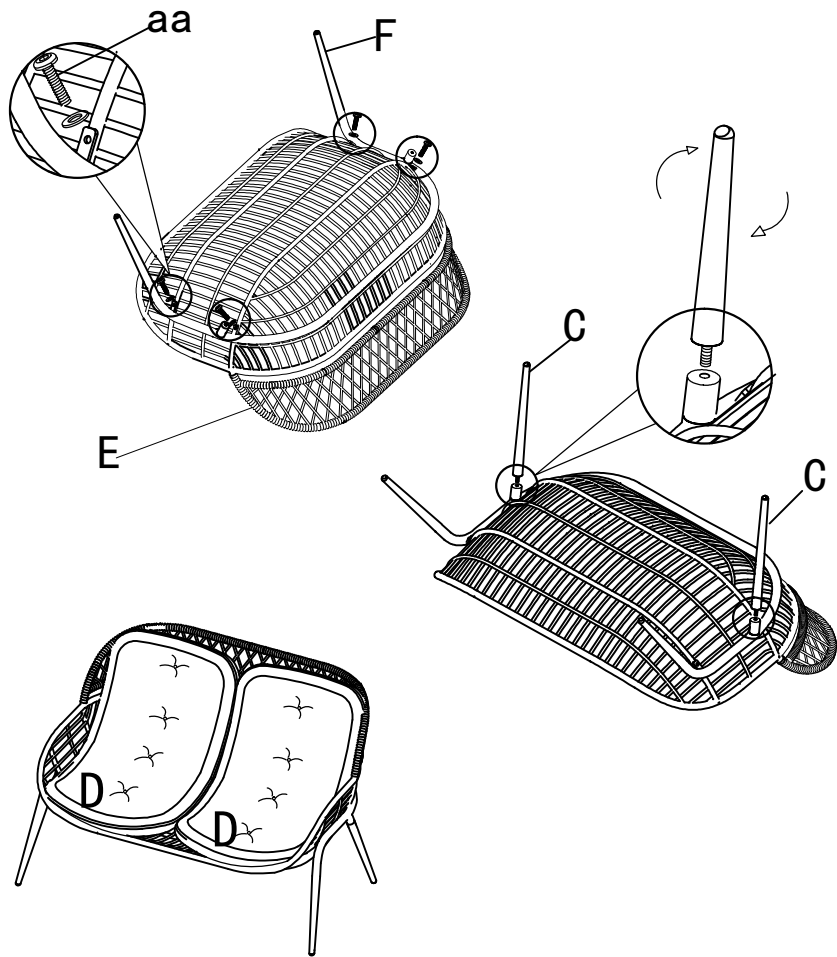




A 2pcs		D 2pcs	
B 2pcs		aa 8pcs M6*20	
C 4pcs		bb 1pc	






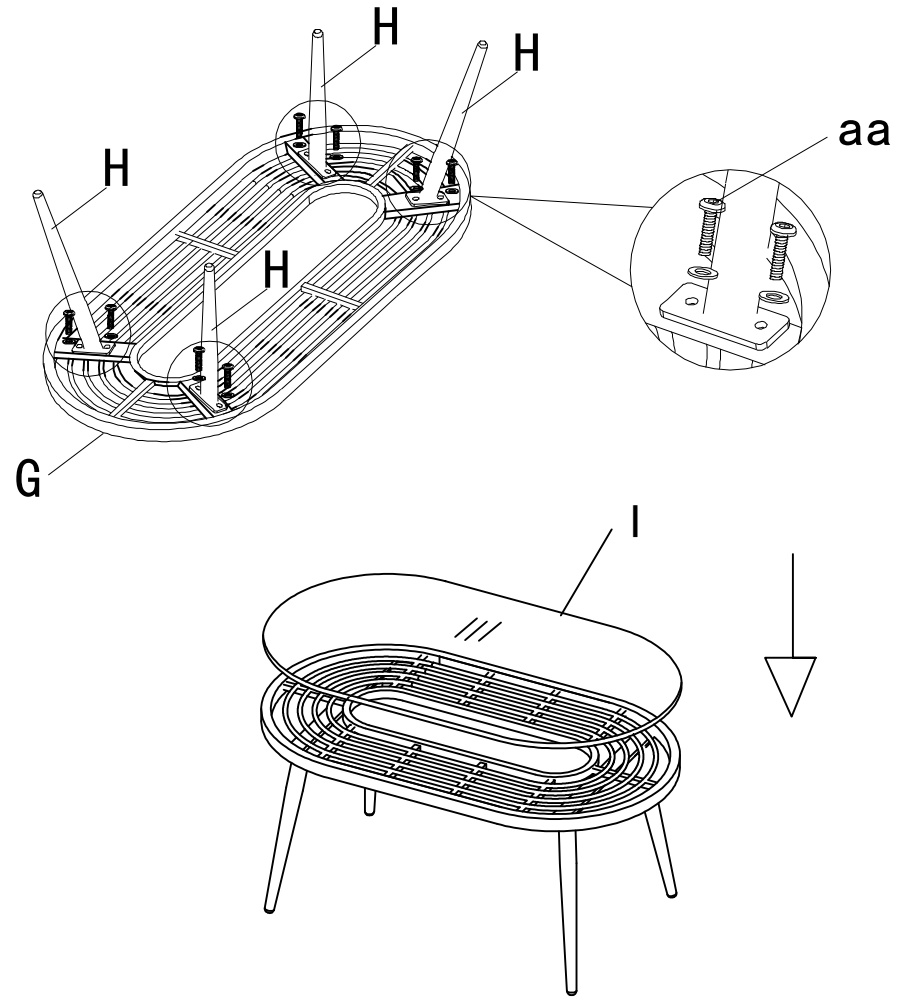
E 1pc	
F 1pc	
C 2pcs	

D 2pcs	
aa 4pcs	 M6*20
bb 1pc	



G 1pc	
H 4pcs	

I 1pc	
aa 8 pcs	 M6*20
bb 1pc	





WARRANTY POLICY

All Manhattan Comfort furniture products are warranted, to the original purchaser at the time of purchase and for a period of 30 days thereafter.

Our warranty is limited to new products purchased in factory sealed cartons. This warranty is valid in the United States of America and Canada.

In order to provide you with timely assistance, please thoroughly inspect your furniture for missing or defective parts immediately after opening the carton.

Manhattan Comfort offers a 30-day parts replacement warranty on all items.

Our furniture products are not intended for outdoor use.

THE WARRANTY DOES NOT COVER:

- Defects/damages by improper assembly or disassembly.
- Defects/damages caused by shipping. Claims for damage during transit should be placed immediately to the transportation company.
- Defects/damages caused by inappropriate use of the furniture.



319 Ridge Rd. Dayton, NJ 08810

908-888-0818