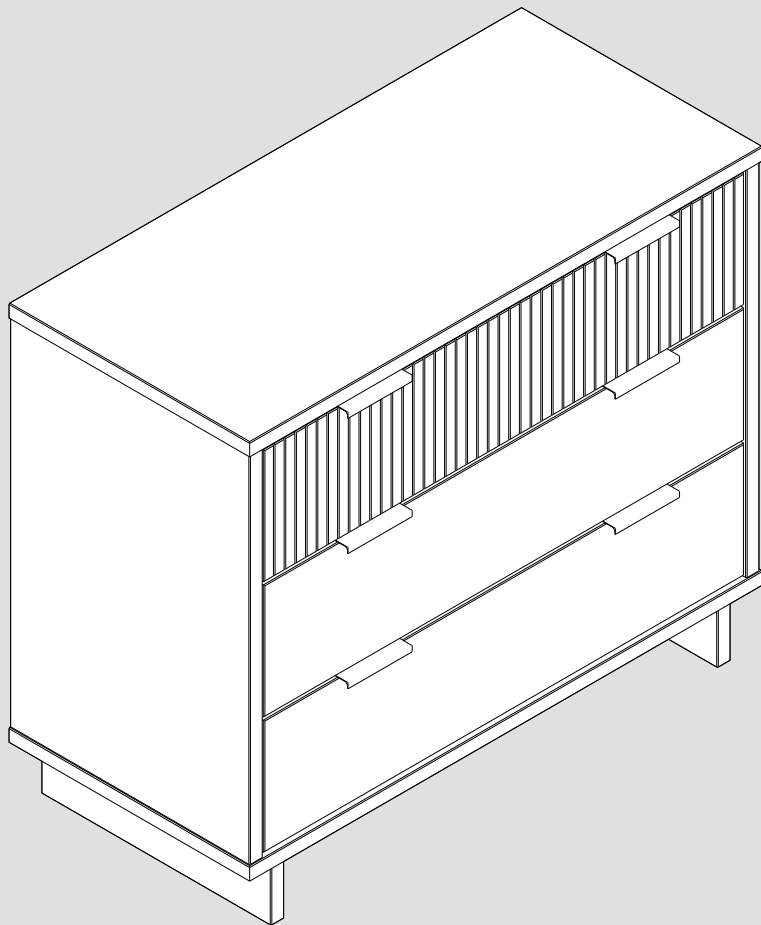




MANHATTAN
COMFORT

DR-501



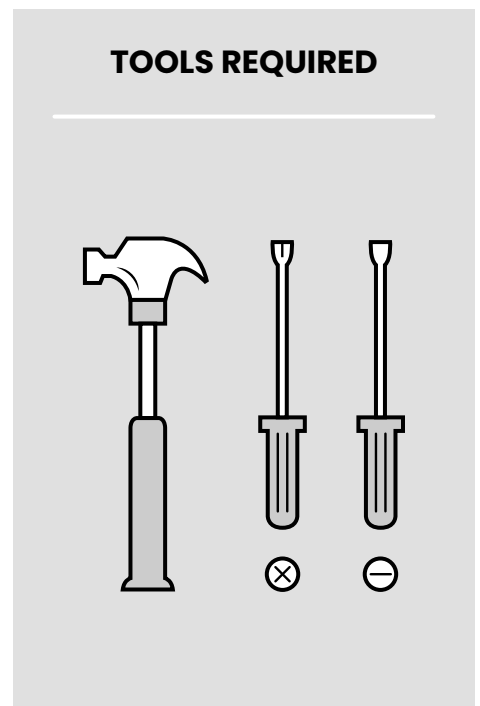
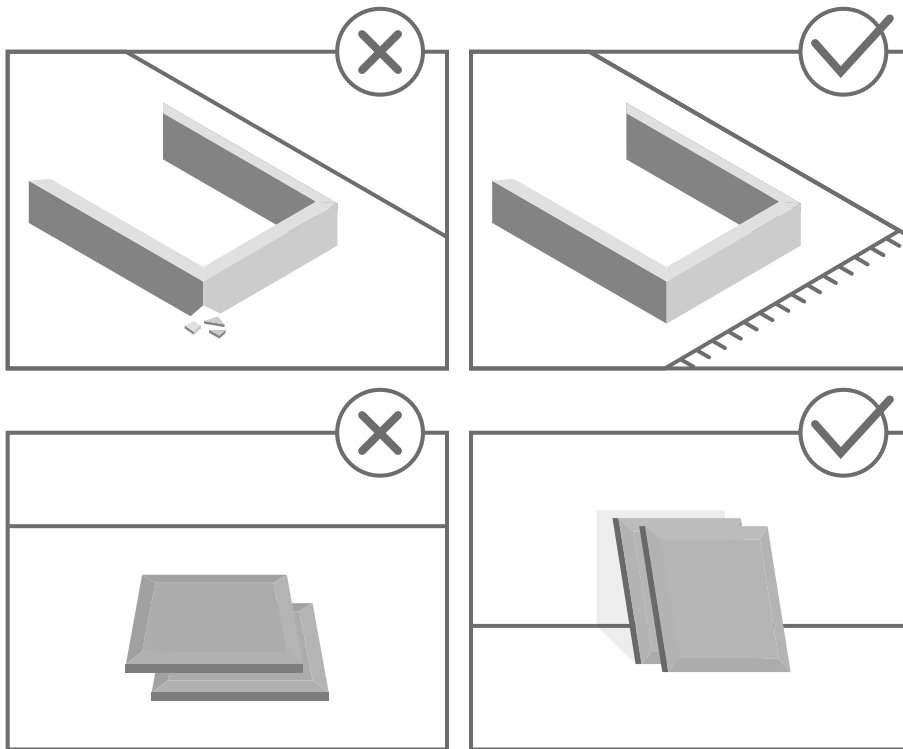


STOP!

Before beginning the assembly process, ensure all boxes and parts have been delivered.

FOR BEST RESULTS:

- Do not throw away packaging materials until assembly is complete.
- Assemble item on a soft surface, such as cardboard or carpet, to protect finish.
- Proper assembly requires two people.



View our assembly video online:
WWW.MANHATTANCOMFORT.COM

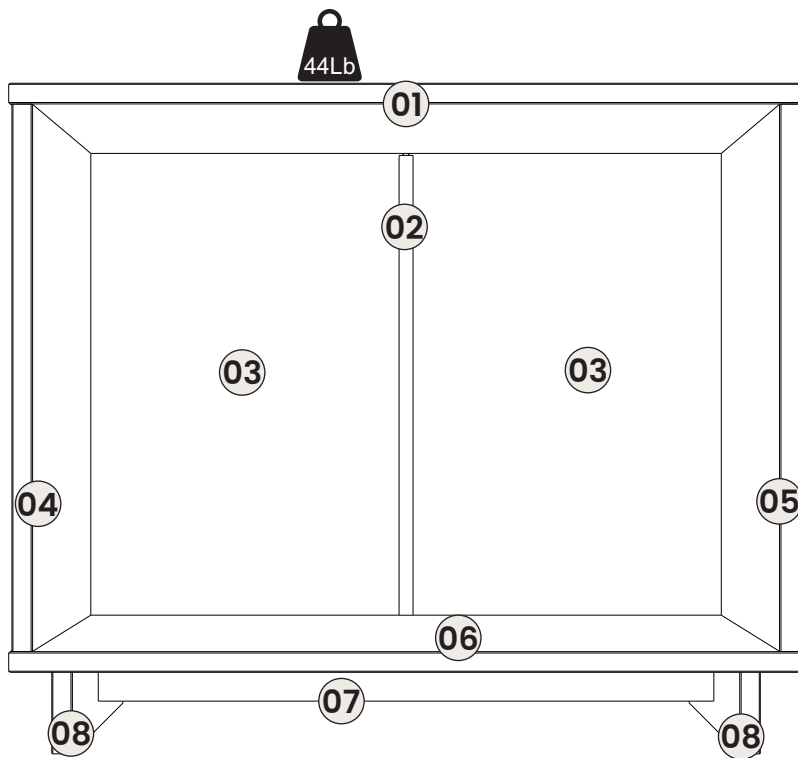


Stuck? Question? We are here to help.
tel: **908-888-0818**
e-mail: help@manhattancomfort.com

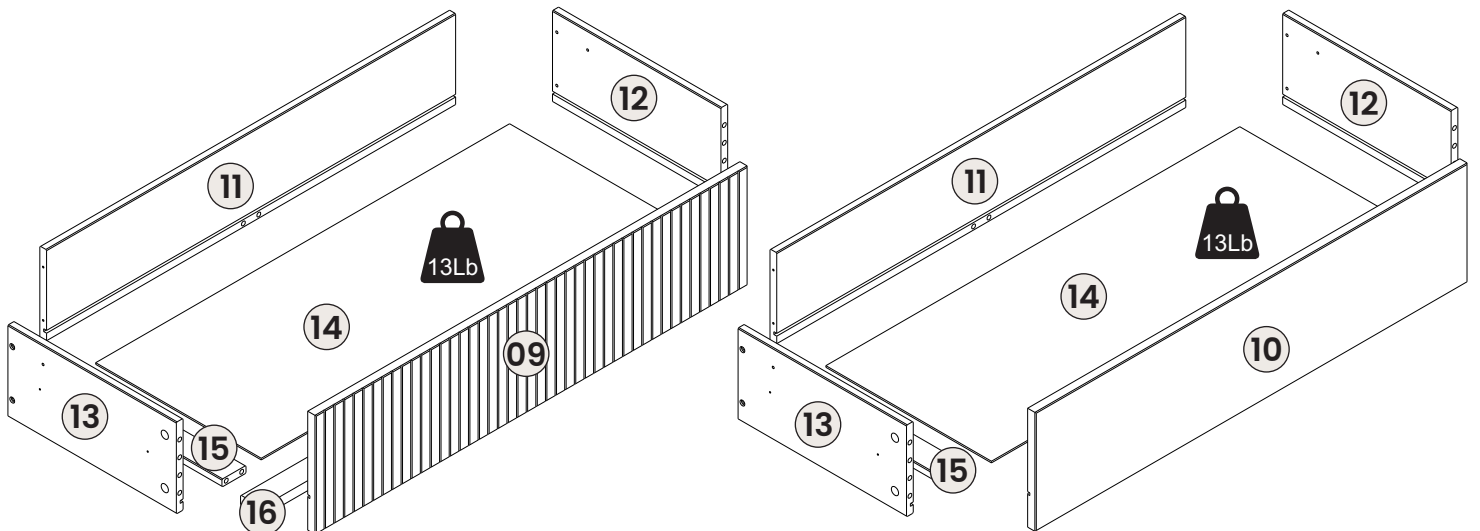
SUPPORT SITE



Included in this package:



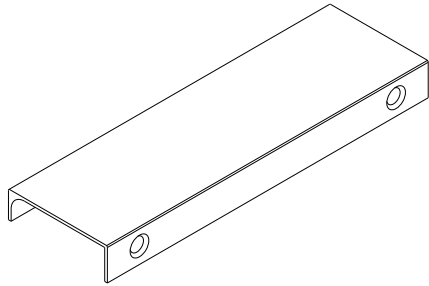
01.	Top Panel	x1
02.	Plastic H-Profile	x1
03.	Back Panel	x2
04.	Left Side Panel	x1
05.	Right Side Panel	x1
06.	Bottom Panel	x2
07.	Feet Crossbar	x1
08.	Foot	x2
09.	Top Drawer Front	x1
10.	Drawer Front	x2
11.	Drawer Back	x3
12.	Drawer Right Side	x3
13.	Drawer Left Side	x3
14.	Drawer Bottom	x3
15.	Drawer Support	x3
16.	Top Drawer Support	x1



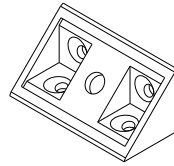
Included in this package:



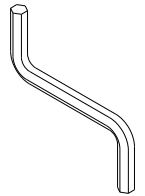
A x 36
#23857



B x 6
#PX.017



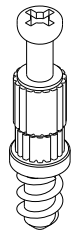
C x 2
#CA.002



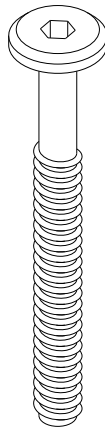
D x 1
#2196



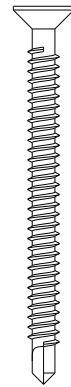
E x 12
#69



F x 18
#10385



G x 6
#292



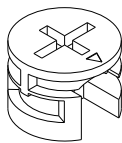
H x 6
#11170



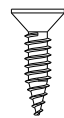
I x 4
#284



J x 12
#259



K x 18
#10386



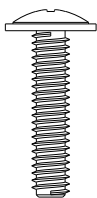
L x 20
#1616



M x 28
#393



N x 1
#KT.002

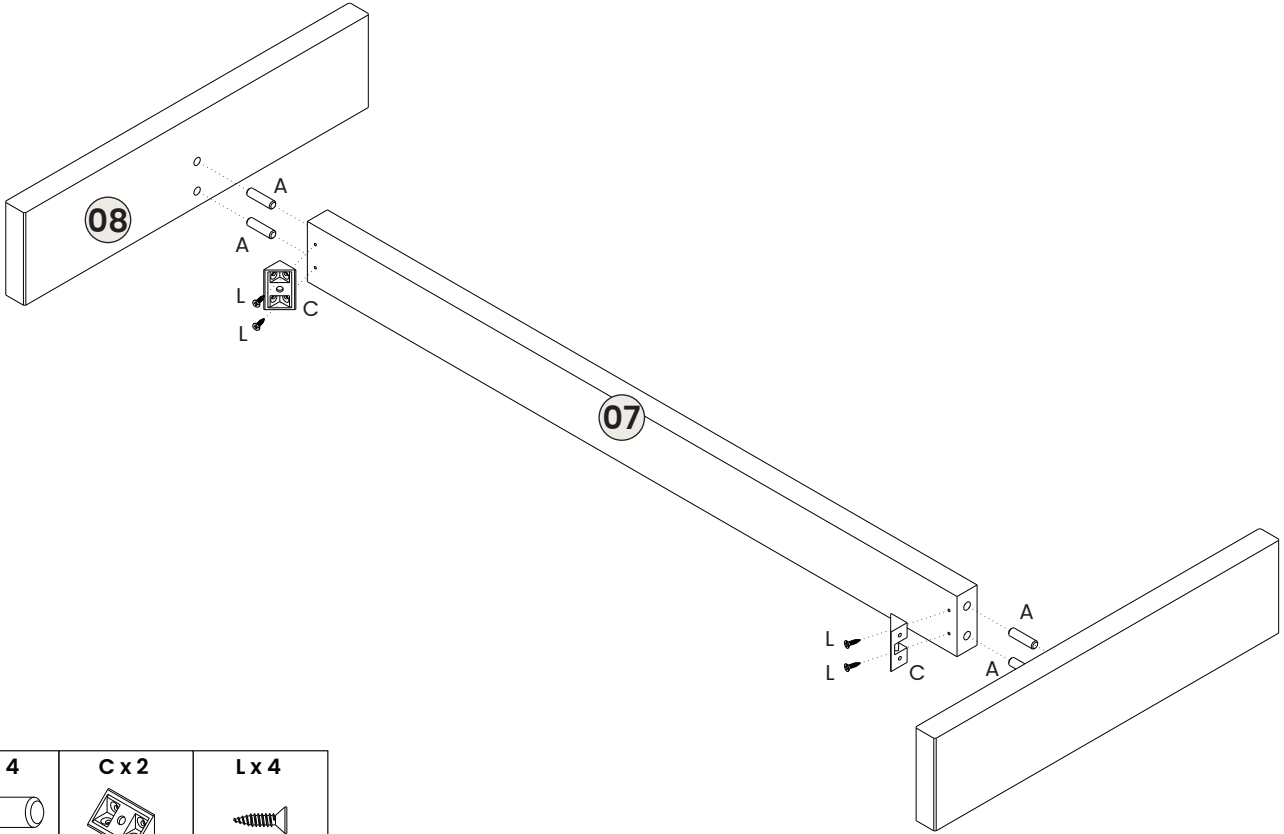


O x 6
#PA.006

01

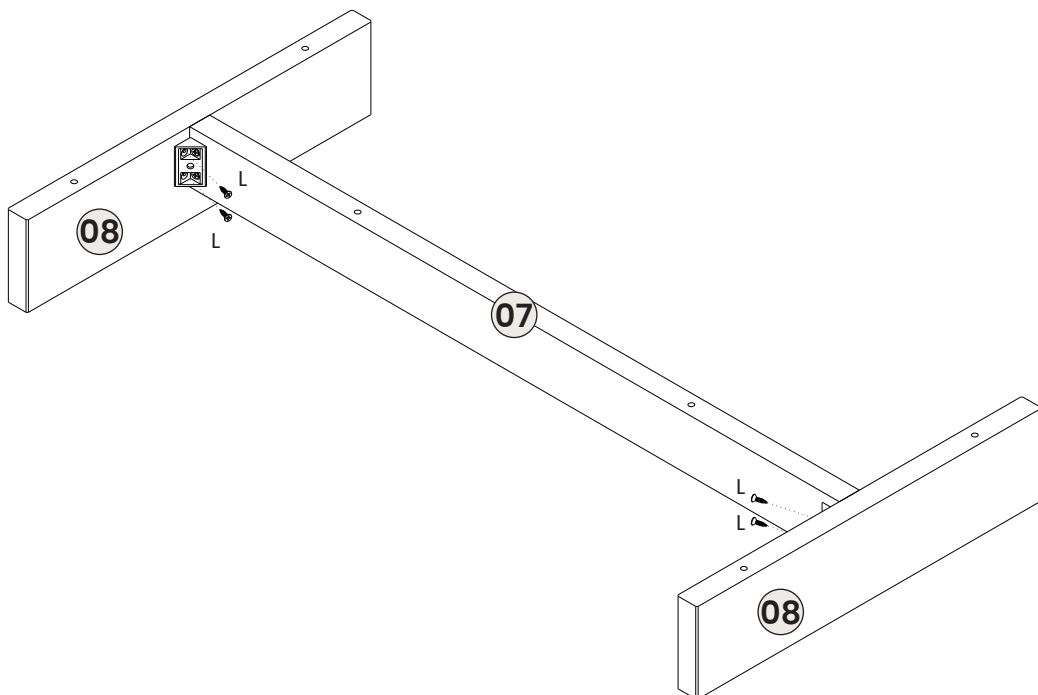
Fix the hardware C to part 07 with screw L.
Then, attach the parts 07-08 with the hardware A.

05



02

Fix the part 07 to part 08 with screw L.



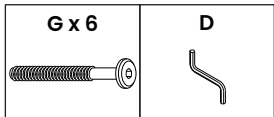
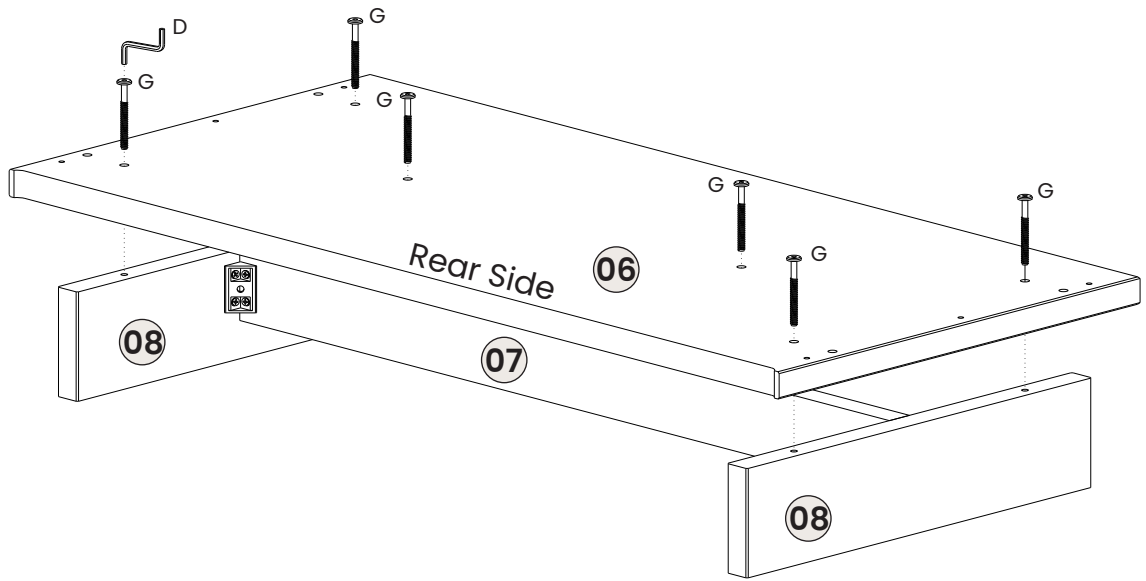
L x 4



03

Fix the part 06 to parts 07-08 with screw G and tool D.

06

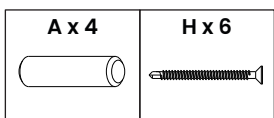
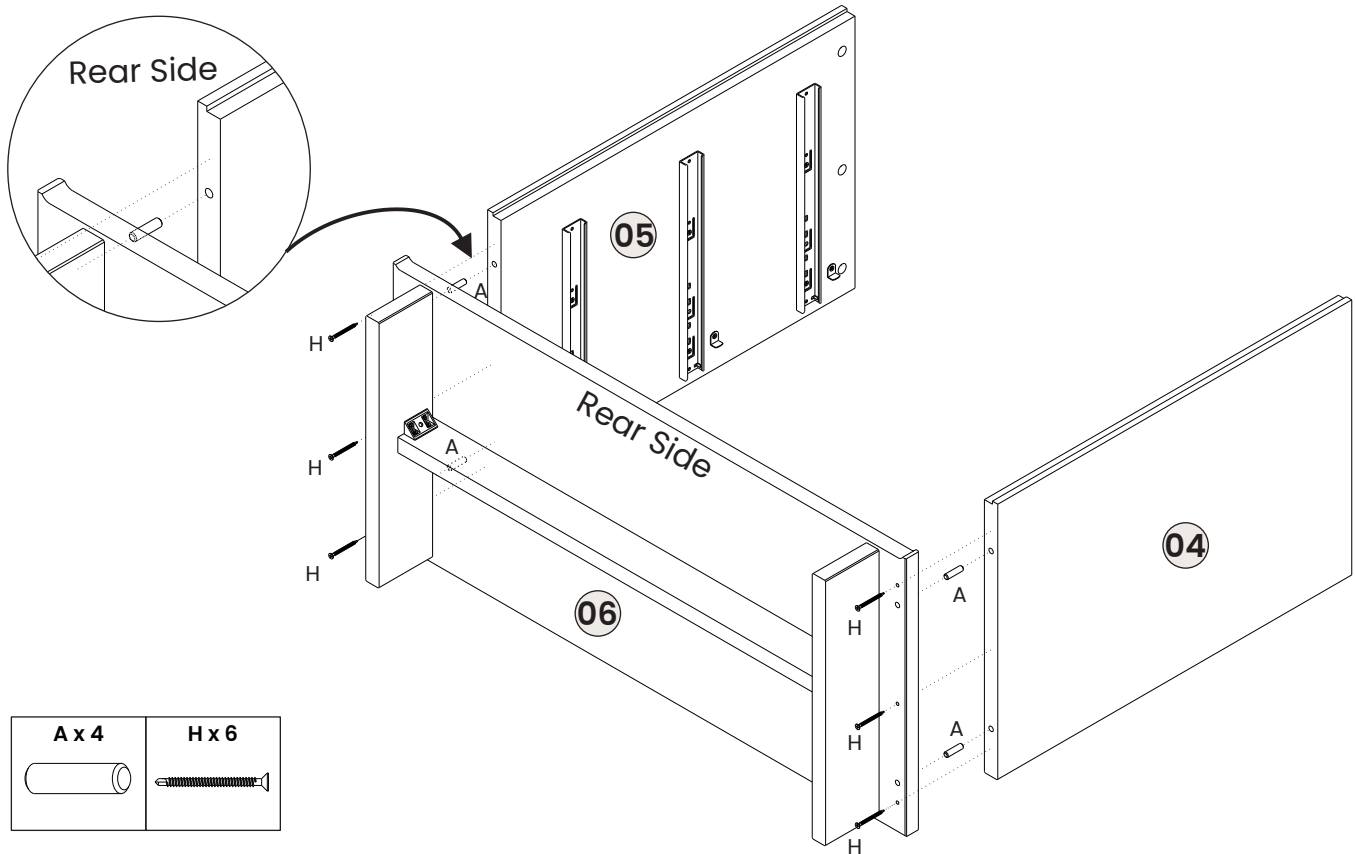


04

Attach the parts 04-05 to part 06 with hardware A.

Then, fix them with screw H.

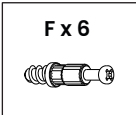
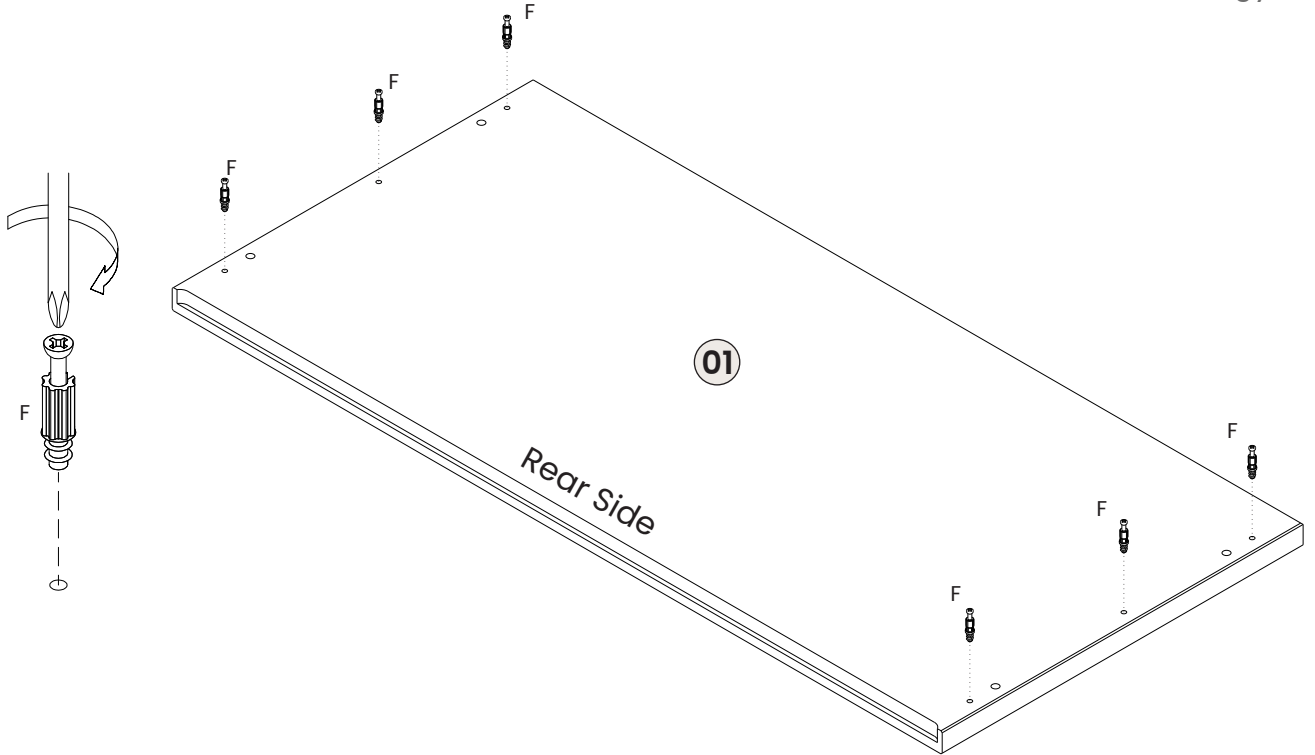
Pay attention in detail to ensure correct assembling.



05

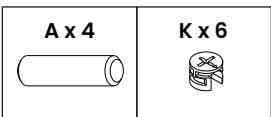
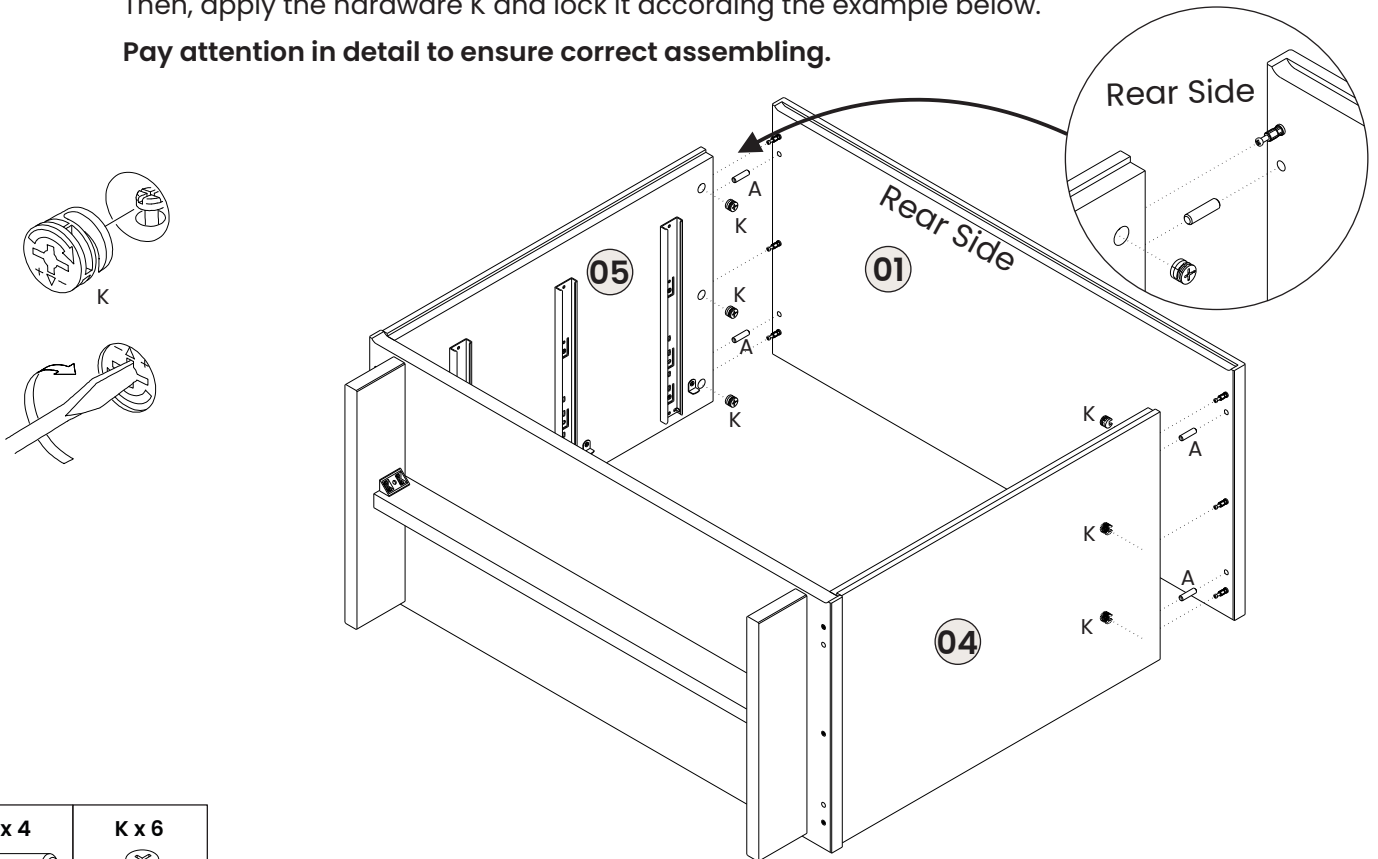
Fix the hardware F to part 01.

07



06

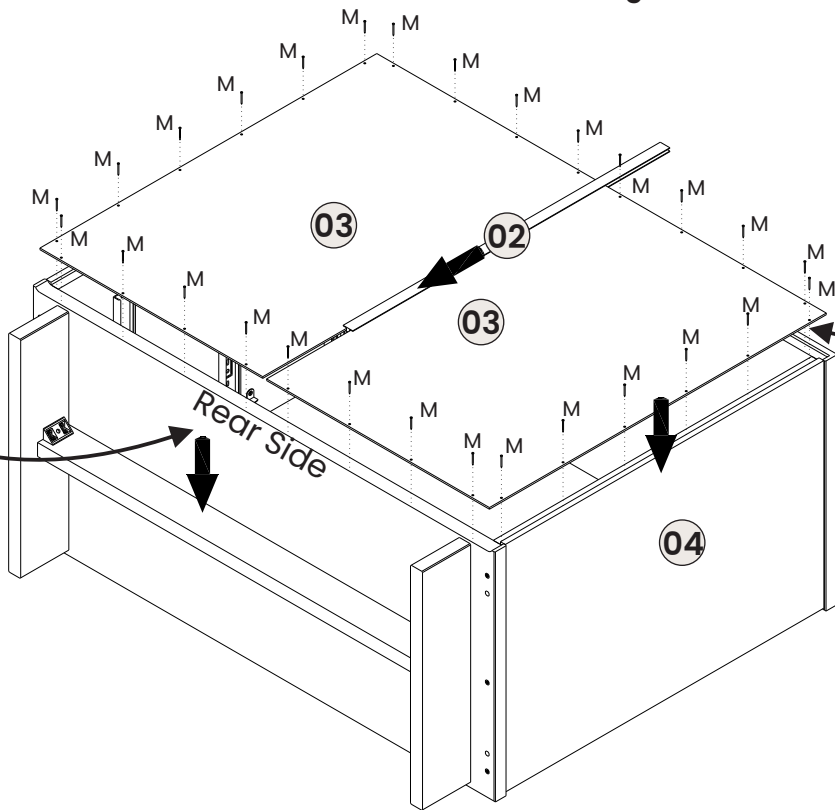
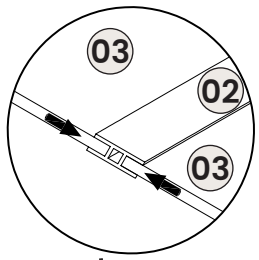
Attach the part 01 to parts 04-05 with hardware #A.
 Then, apply the hardware K and lock it according the example below.
Pay attention in detail to ensure correct assembling.



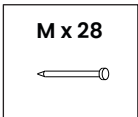
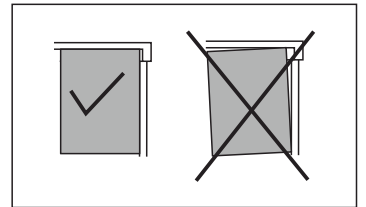
07

Attach the parts 03 to part 02 according the example.
Then, position correctly both them and fix them with the hardware #M.
Pay attention in detail to ensure correct assembling.

08

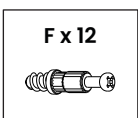
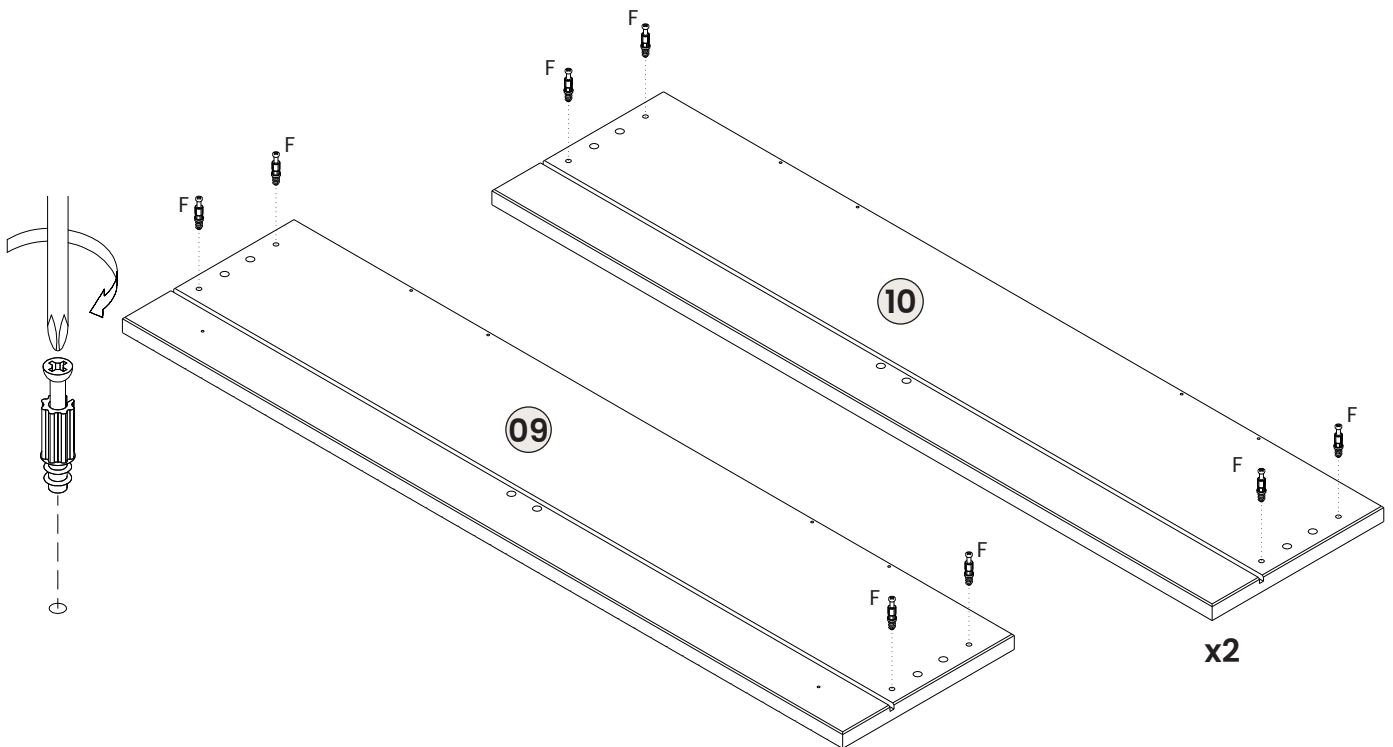


Pay attention in detail to ensure correct assembling.



08

Fix hardware F to parts 09 and 10.

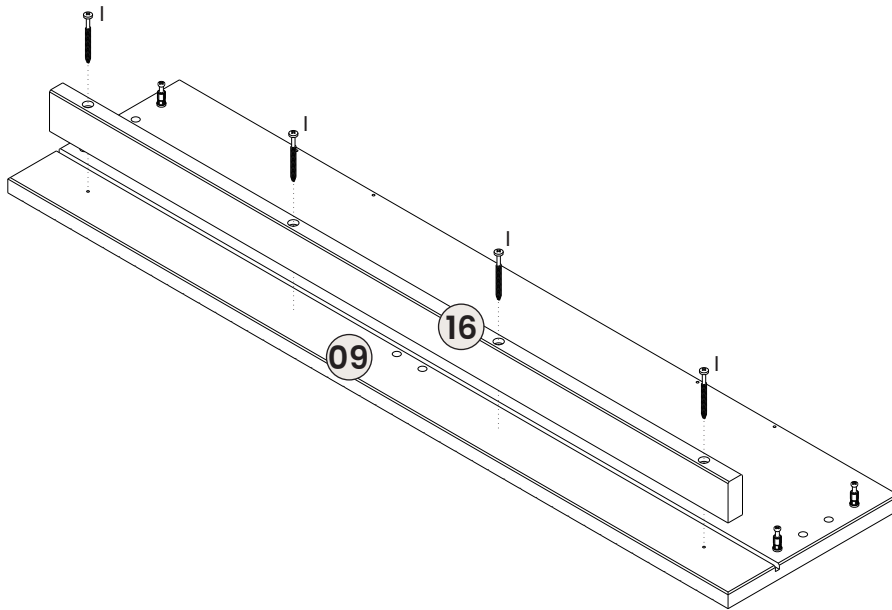



09

Specially to part 09, fix the part 16 with screw I.

Please, start by fixing the ends. Then fix the intermediate screws.

09



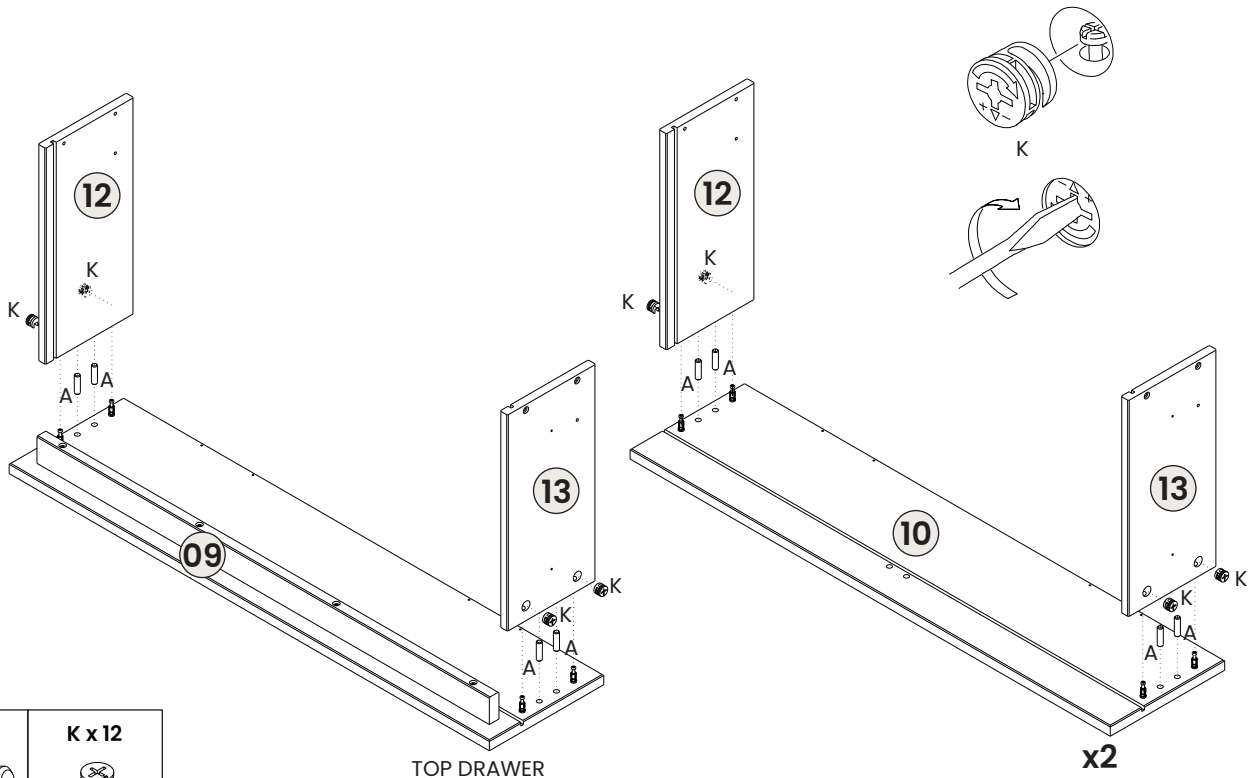
1 x 4


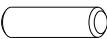

10

Attach the parts 09 to parts 12-13 with hardware A.

Then, apply the hardware K and lock it according the example below.

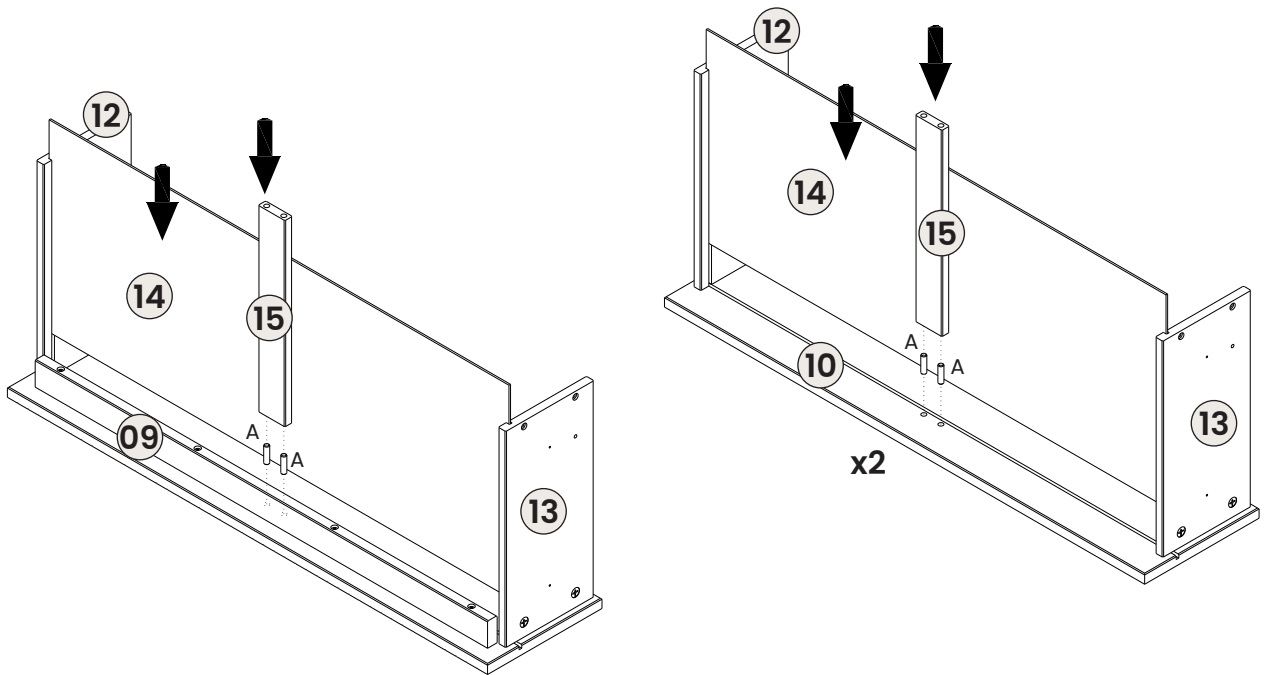
Equally, the same process is applied to parts 10-12-13.



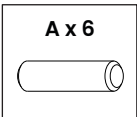
A x 12	K x 12
	

11

Apply the part 14 in the groove of the parts 12-13.
Then, attach the part 15 to parts 09-10 with hardware A.

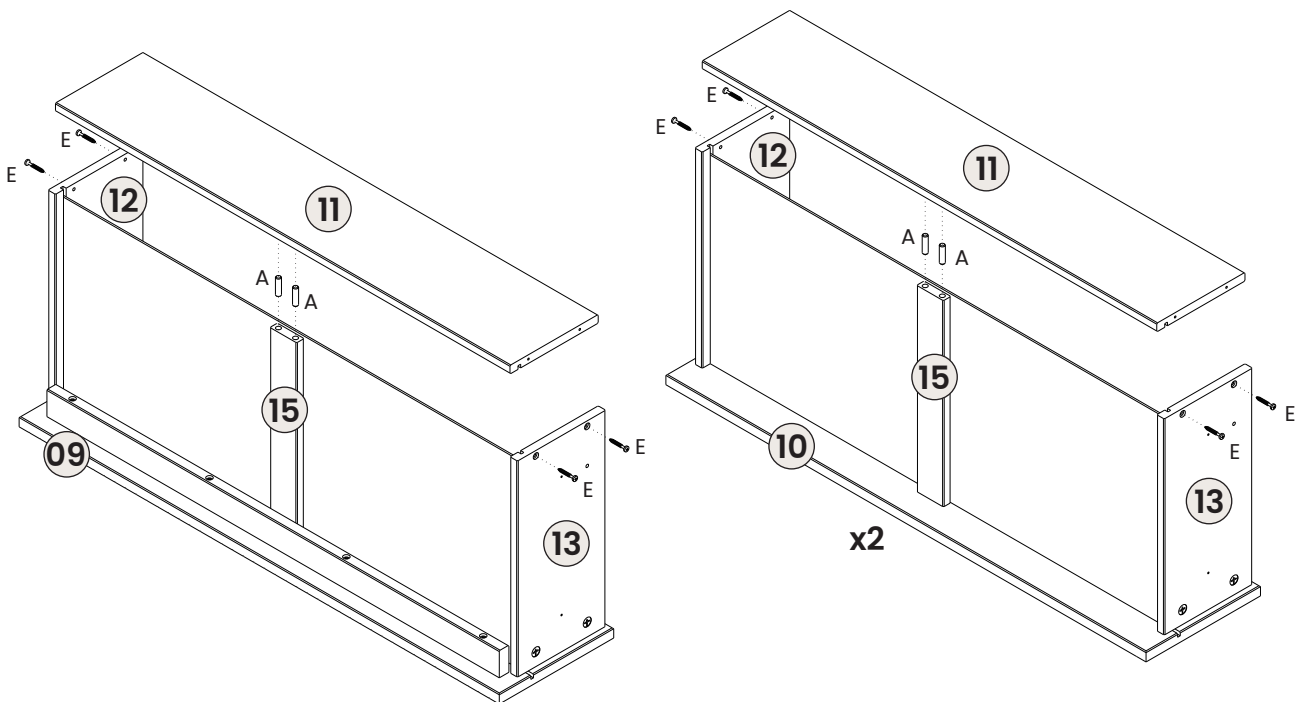


TOP DRAWER

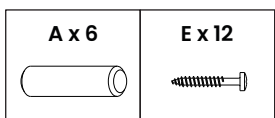


12

Attach the part 11 to parts 12-13-15 with the hardware A.
Then, fix the parts 12-13 to part 11 with screw E.



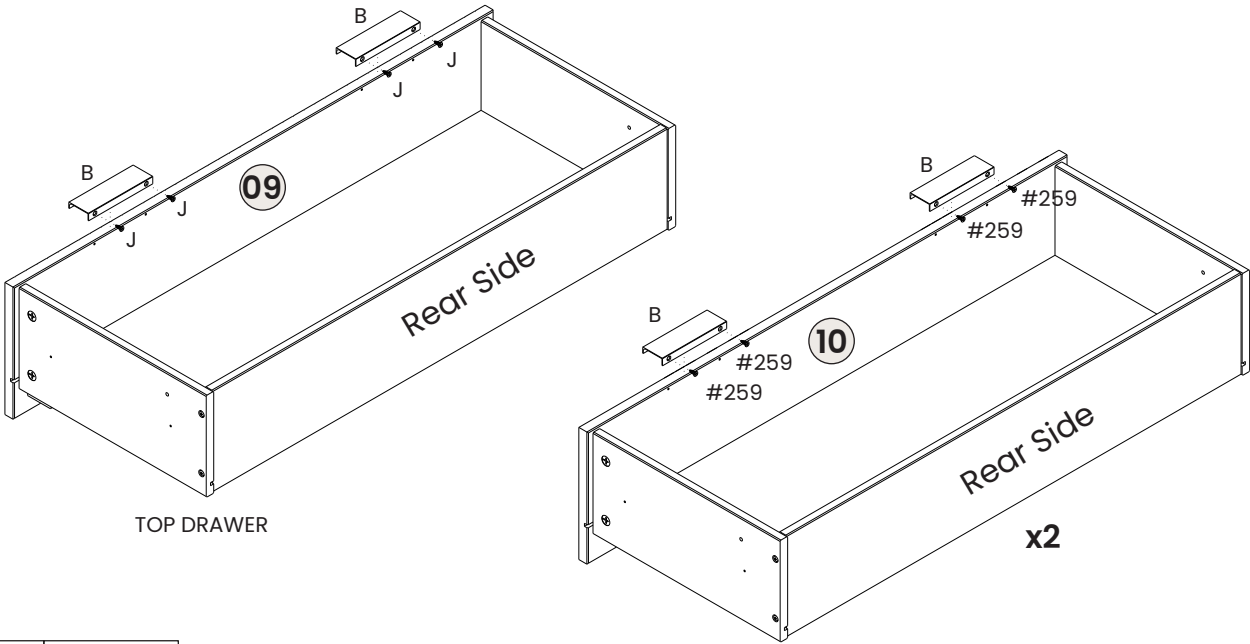
TOP DRAWER





13

Apply the hardware B to parts 09-10.

Then, fix them with screw J.

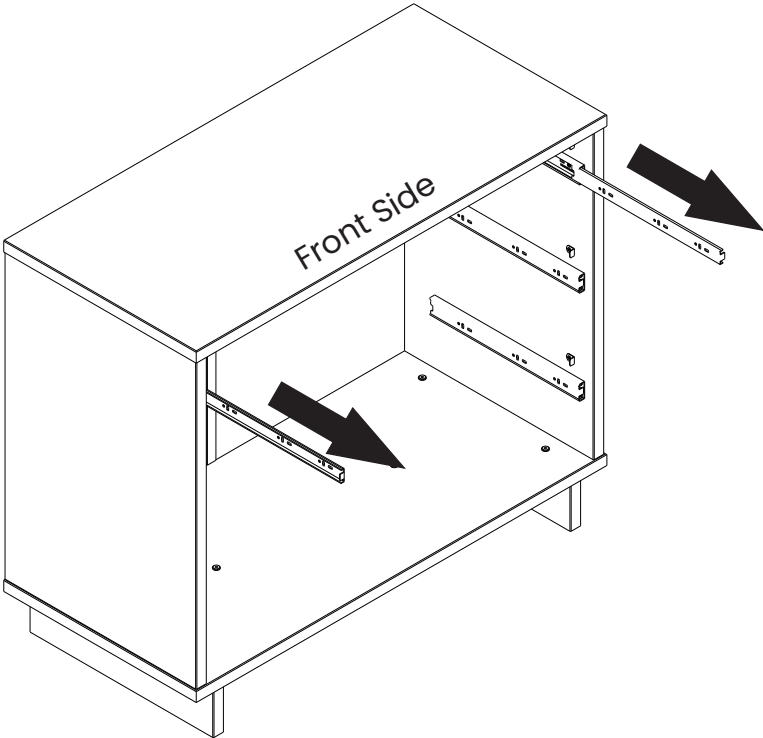


J x 12 	B x 6 
--	---

14

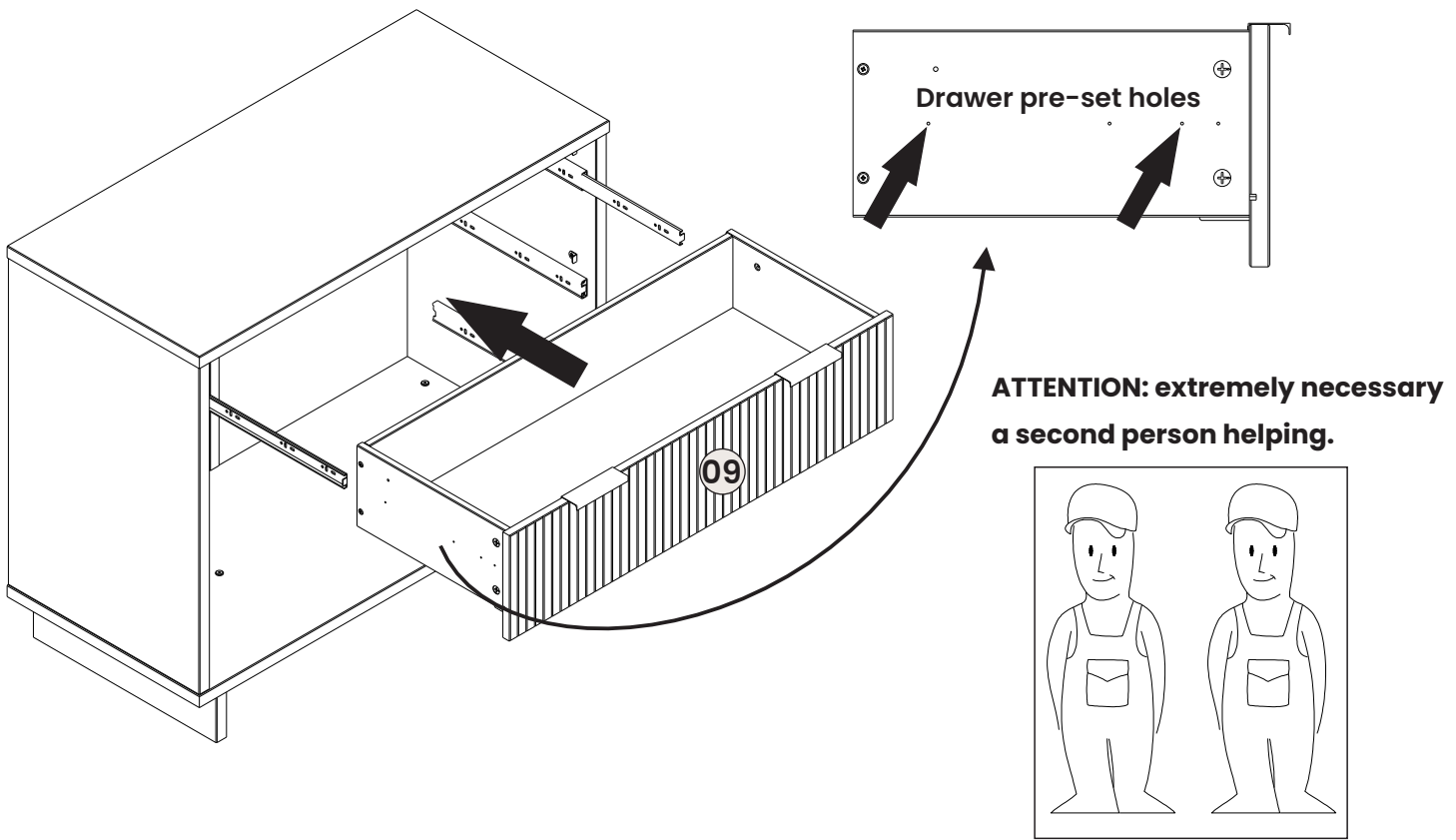
Before to fix the Drawers, you must extract the full extension of the Slides, by pulling off.

Then, pay attention to the correctly holes according to the next steps.



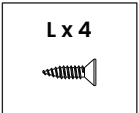
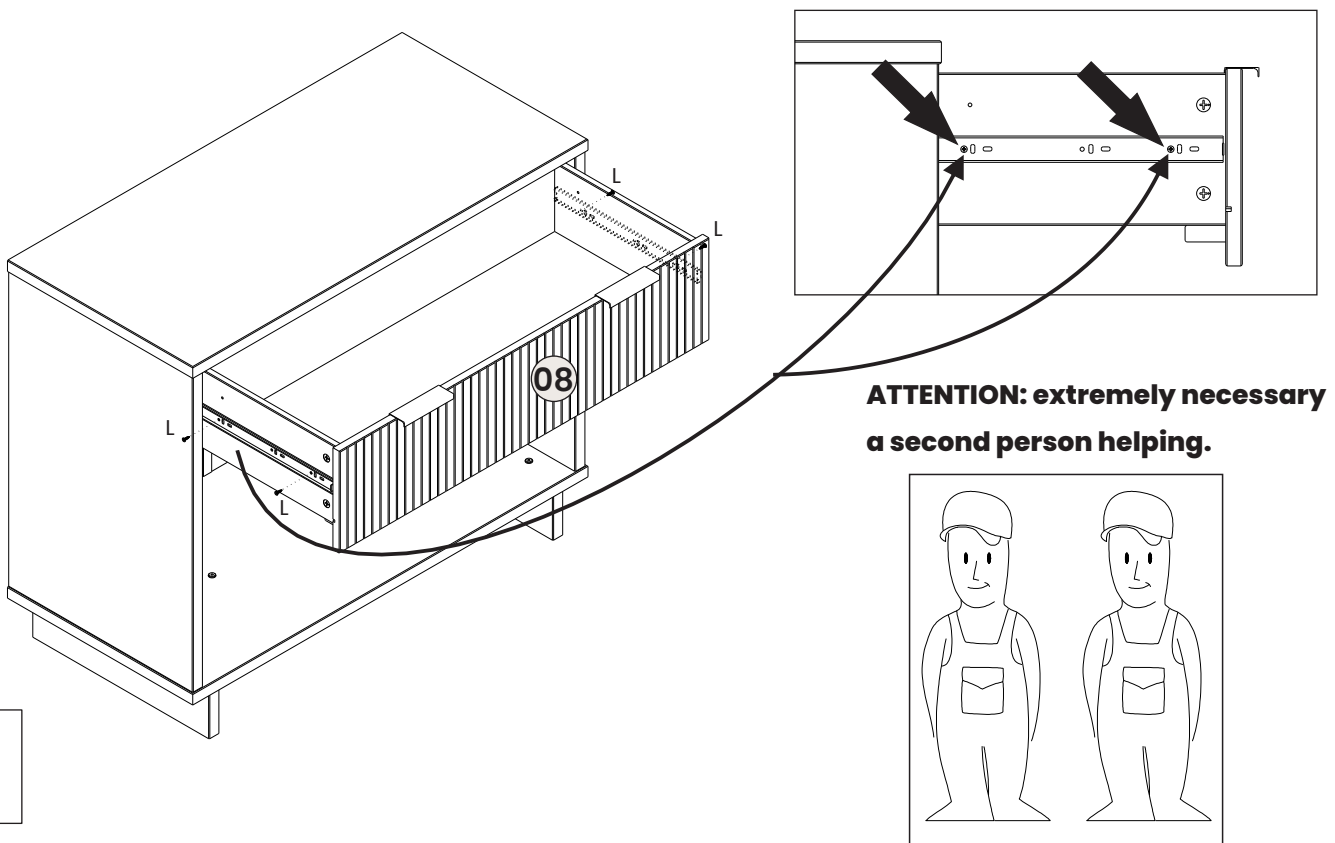
15

The Drawers have pre-set holes to help you on fixing them.
Set the Drawer on correct position and pre-set holes, carefully.



16

Firstly, make sure that the Drawer is correctly positioned according to the detail
The correct holes of the Slides must match with the pre-set holes of the Drawers.
Position and fix them with the screw #1616.

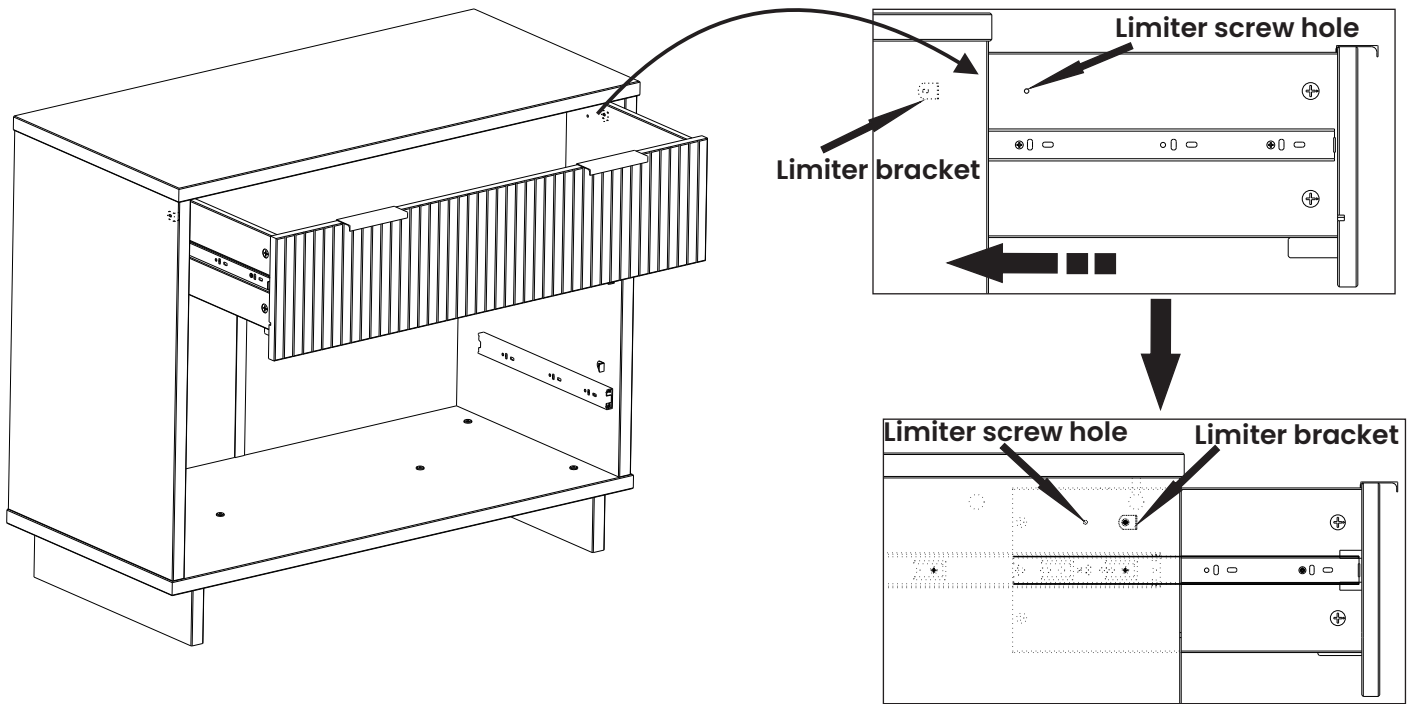


17

You must put a drawer opening limiter screw.

Firstly, keep the drawer partially open so that the limiter screw hole is behind the limiter bracket according to the detail.

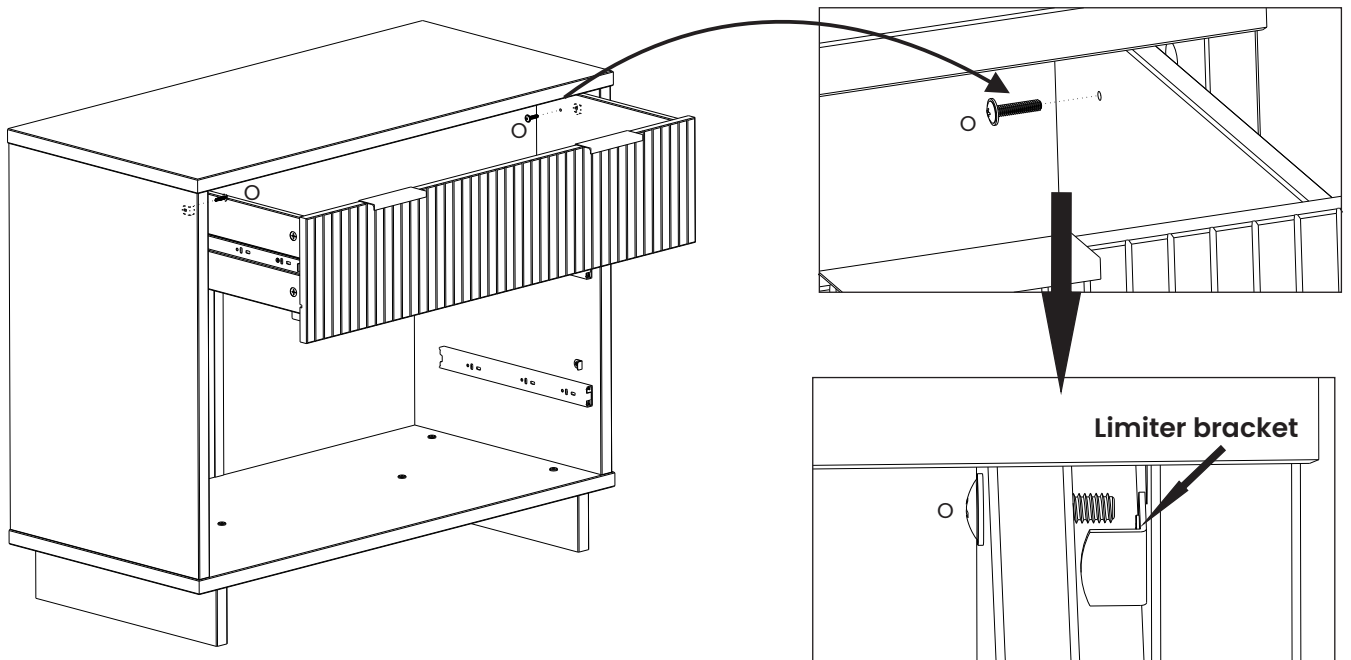
13



18

ATTENTION: ensure the limiter screw hole is before the limiter bracket.

Then, place the screw #PA.006 to retain the full opening of the drawer.



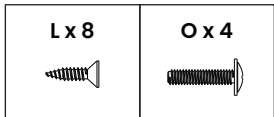
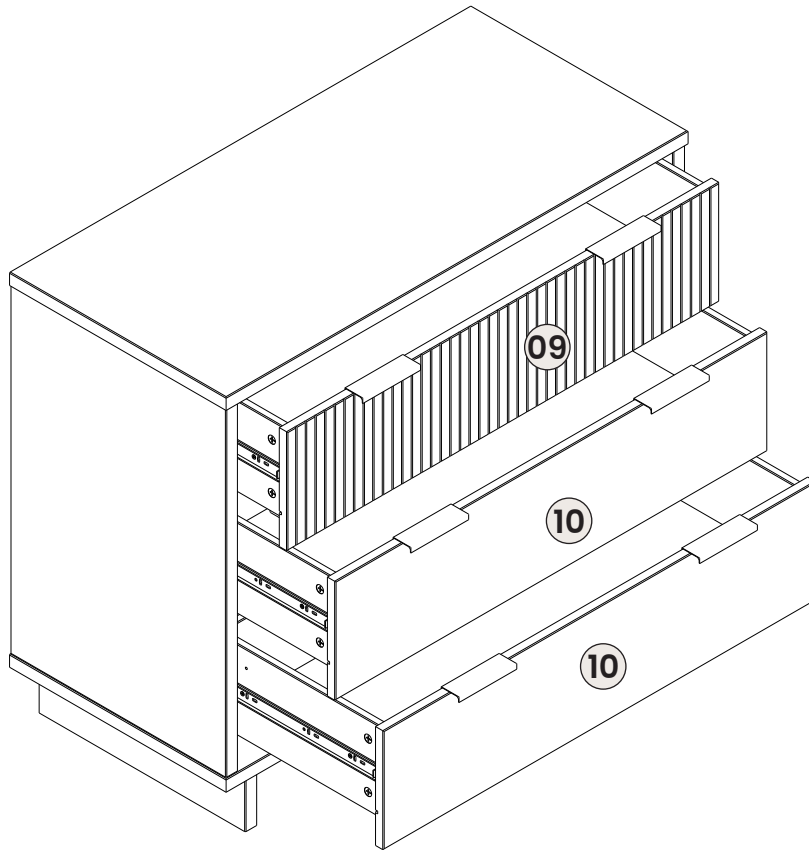
O x 2



19

Apply the same fixing Drawers process and drawer opening limiter to the others drawers.

14

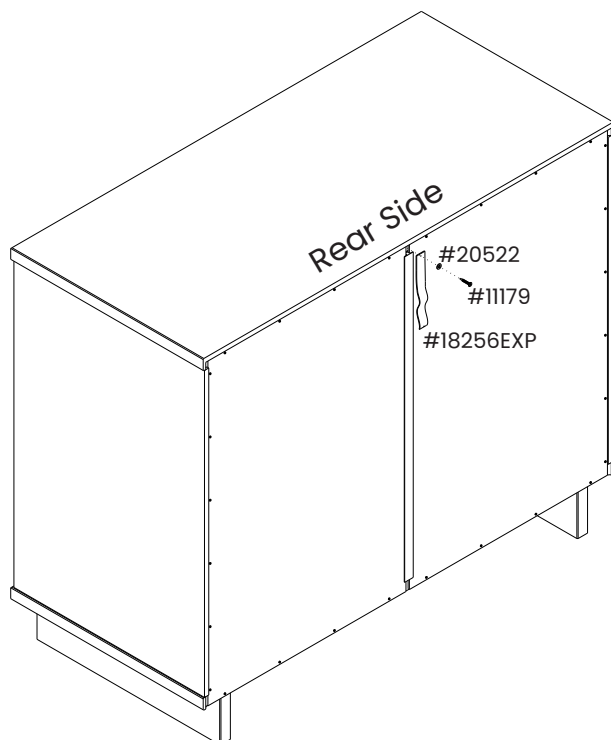
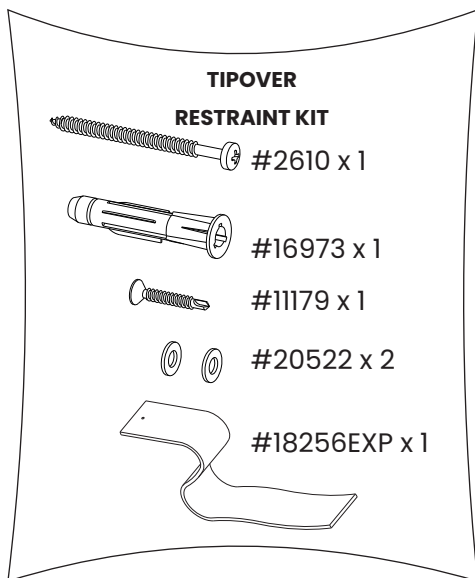


20

You must install the Tipover Restraint Kit (N) provided, in the rear side of the furniture.

Position the hardwares #18256EXP and #20522.

Fix them with screw #11179.

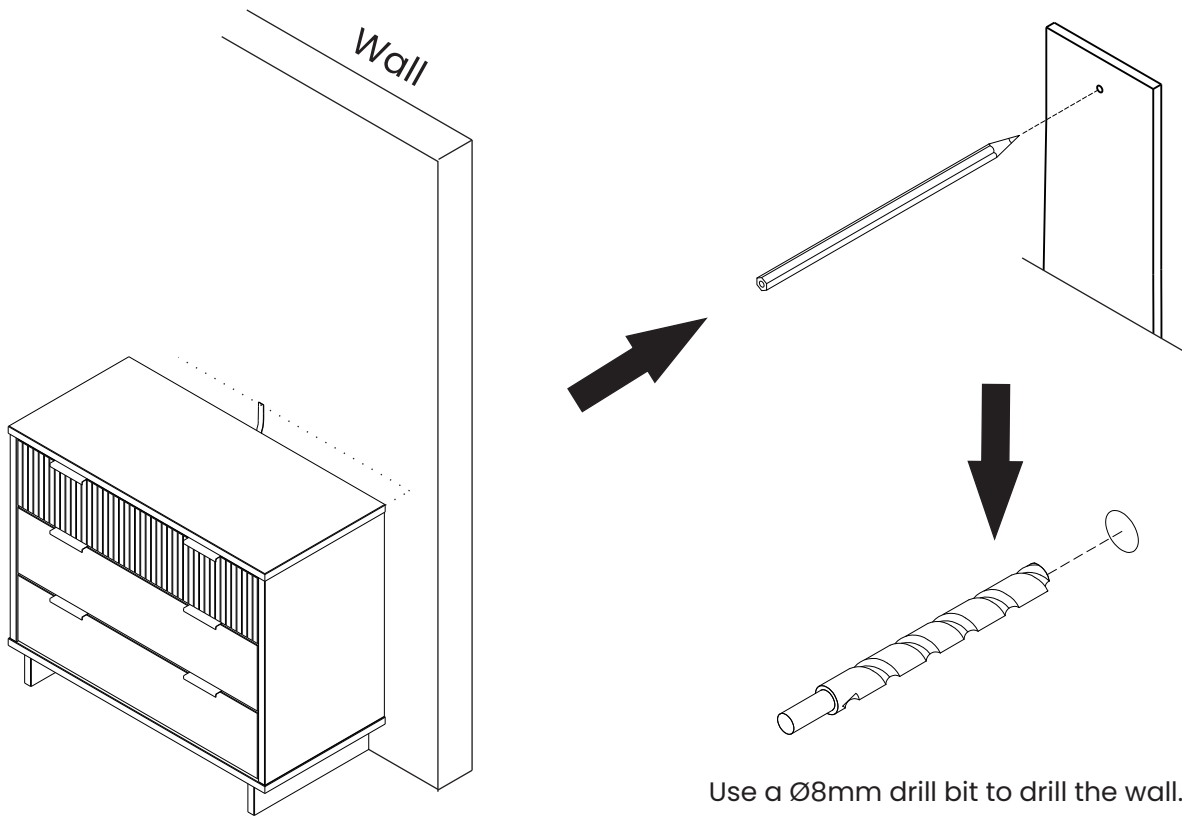


21

Approach the furniture as close as possible to the wall.

Then, mark with a pencil where you should drill the wall to put in the hardware.

15

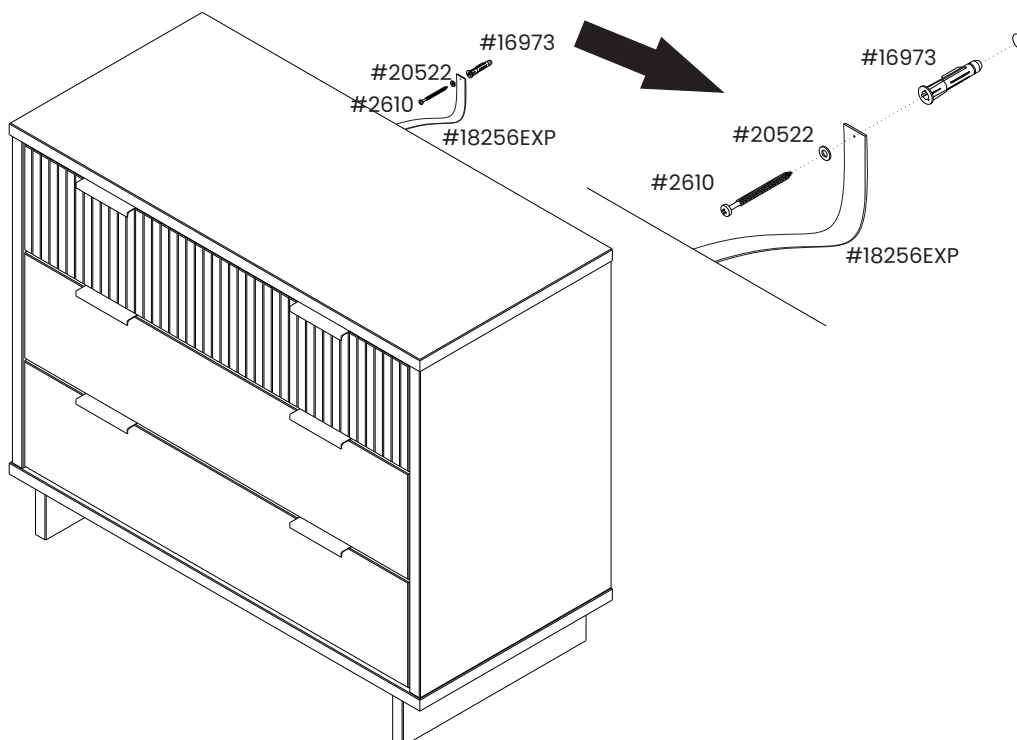


22

Put in the hardware #16973 to the hole that you drilled on the wall.

Then, position the hardware #18256EXP and #20522.

Finally, fix them with screw #2610.





MANHATTAN
COMFORT

WARRANTY POLICY

All Manhattan Comfort furniture products are warranted, to the original purchaser at the time of purchase and for a period of 30 days thereafter.

Our warranty is limited to new products purchased in factory sealed cartons. This warranty is valid in the United States of America and Canada.

In order to provide you with timely assistance, please thoroughly inspect your furniture for missing or defective parts immediately after opening the carton.

Manhattan Comfort offers a 30-day parts replacement warranty on all items.

Our furniture products are not intended for outdoor use.

THE WARRANTY DOES NOT COVER:

- Defects/damages by improper assembly or disassembly.
- Defects/damages caused by shipping. Claims for damage during transit should be placed immediately to the transportation company.
- Defects/damages caused by inappropriate use of the furniture.



319 Ridge Rd. Dayton, NJ 08810

908-888-0818