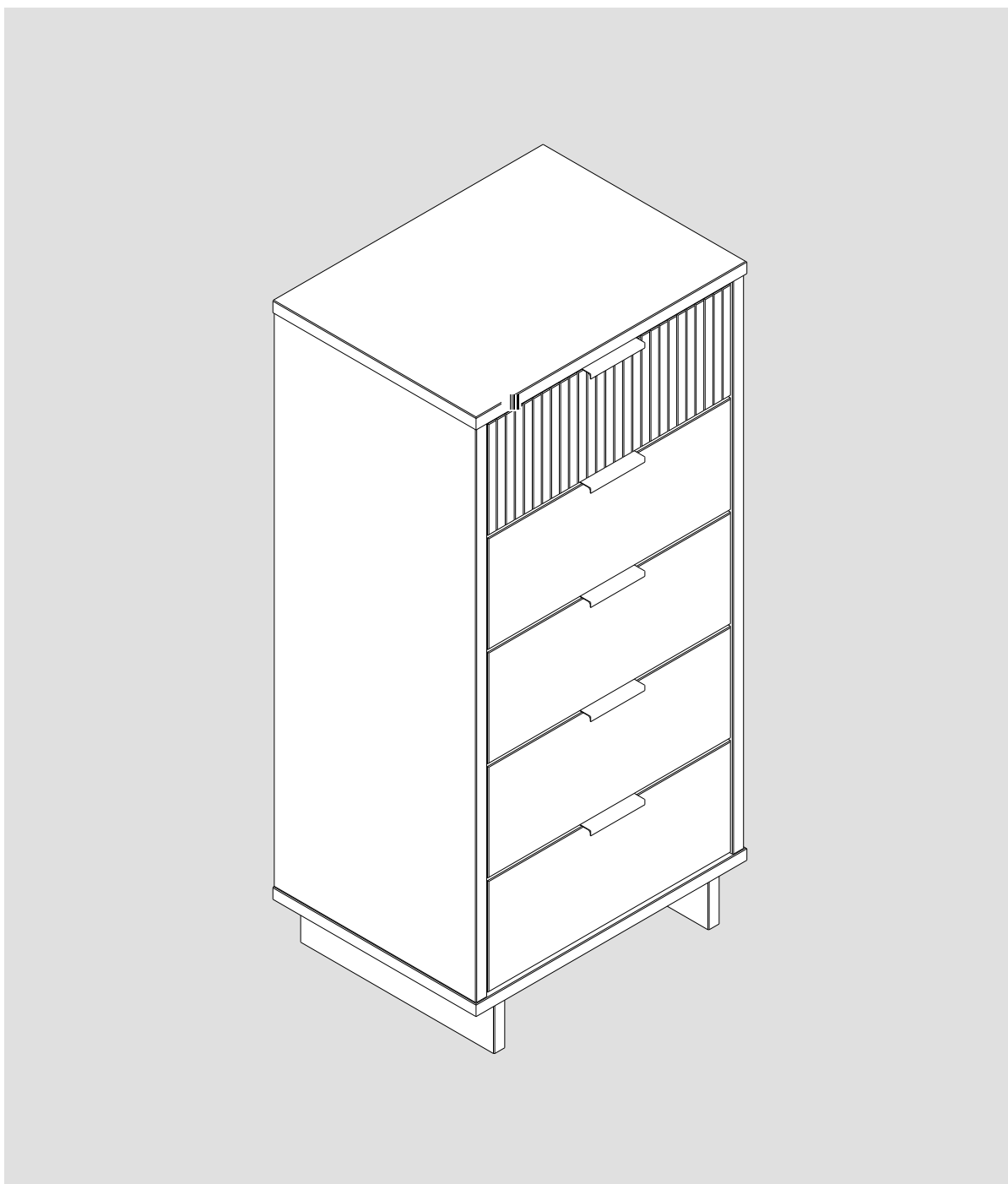




MANHATTAN  
COMFORT

---

## DR-500



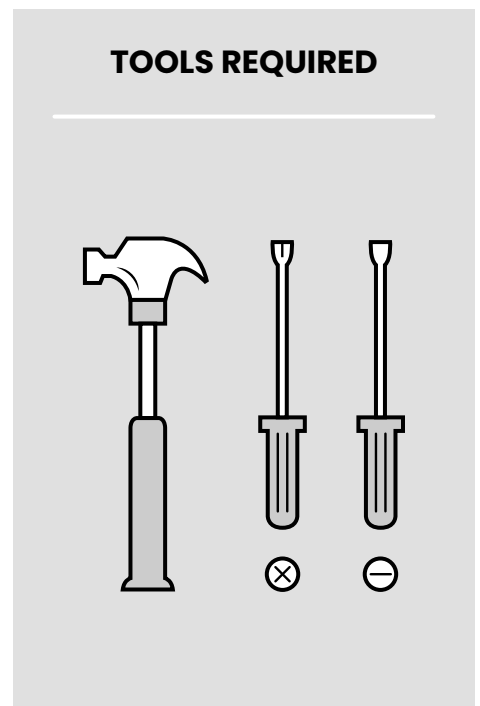
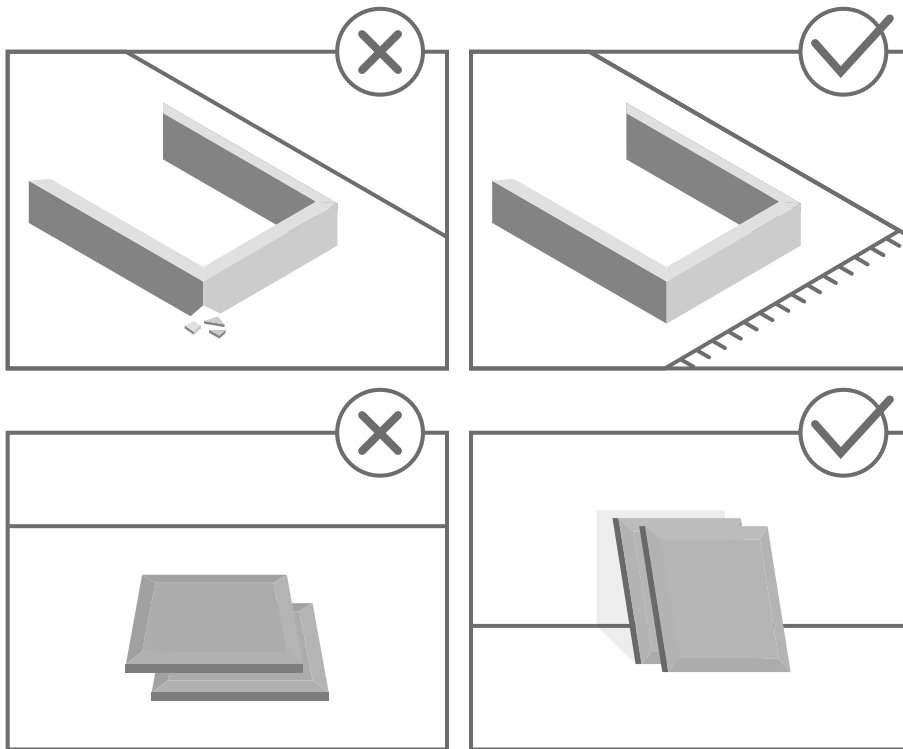


# STOP!

Before beginning the assembly process, ensure all boxes and parts have been delivered.

## FOR BEST RESULTS:

- Do not throw away packaging materials until assembly is complete.
- Assemble item on a soft surface, such as cardboard or carpet, to protect finish.
- Proper assembly requires two people.



View our assembly video online:  
[WWW.MANHATTANCOMFORT.COM](http://WWW.MANHATTANCOMFORT.COM)

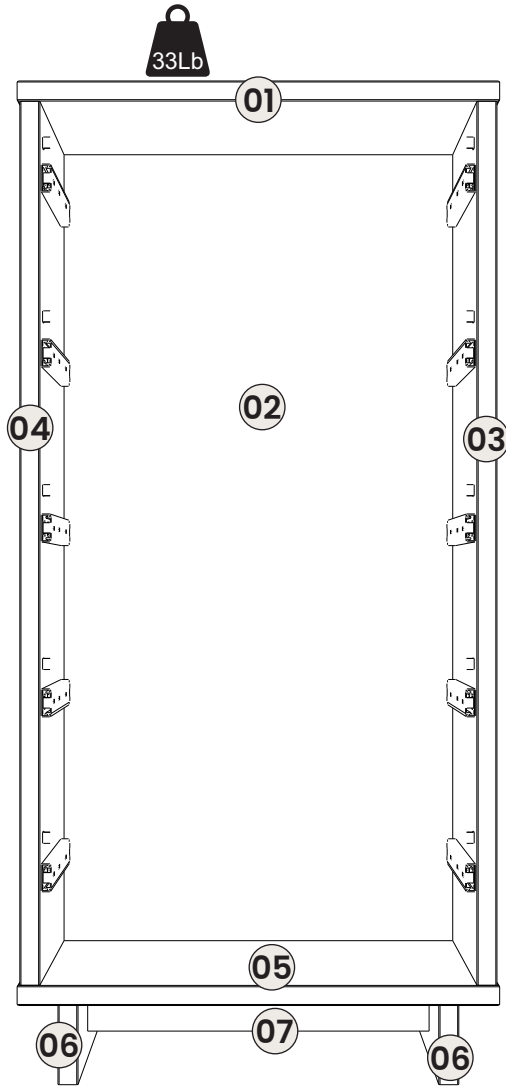


Stuck? Question? We are here to help.  
tel: **908-888-0818**  
e-mail: [help@manhattancomfort.com](mailto:help@manhattancomfort.com)

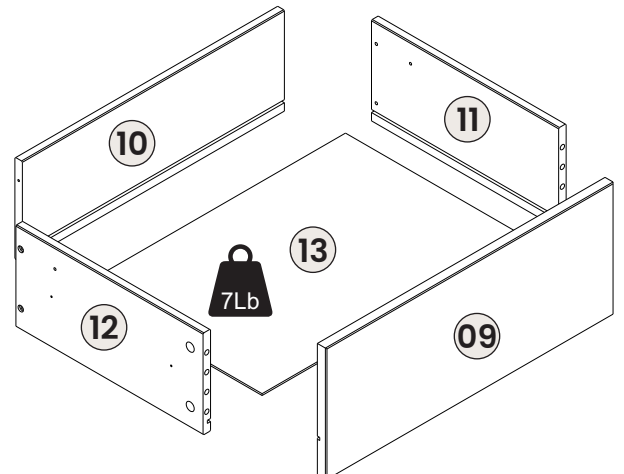
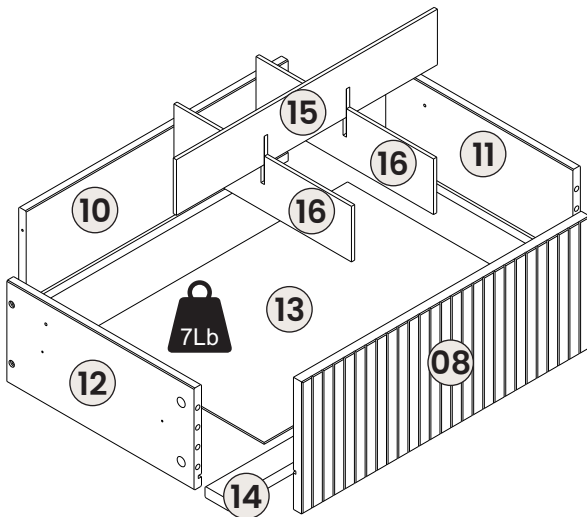
## SUPPORT SITE



# Included in this package:



- 01. Top Panel x1
- 02. Back Panel x1
- 03. Right Side Panel x1
- 04. Left Side Panel x1
- 05. Bottom Panel x1
- 06. Foot x2
- 07. Feet Crossbar x1
- 08. Top Drawer Front x1
- 09. Drawer Front x4
- 10. Drawer Back x5
- 11. Drawer Right Side x5
- 12. Drawer Left Side x5
- 13. Drawer Bottom x5
- 14. Top Drawer Support x5
- 15. Top Drawer Larger Division x1
- 16. Top Drawer Smaller Division x2

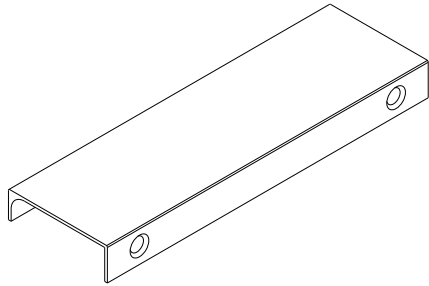


# Included in this package:

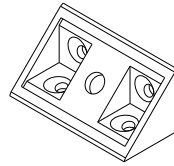
---



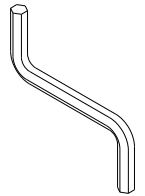
A x 32  
#23857



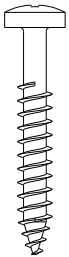
B x 5  
#PX.017



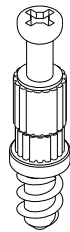
C x 2  
#CA.002



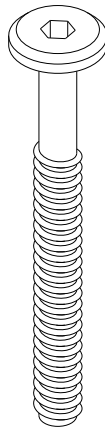
D x 1  
#2196



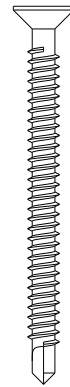
E x 20  
#69



F x 26  
#10385



G x 5  
#292



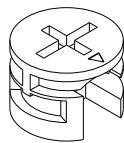
H x 6  
#11170



I x 4  
#284



J x 10  
#259



K x 26  
#10386



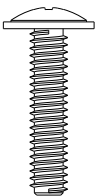
L x 28  
#1616



M x 26  
#393



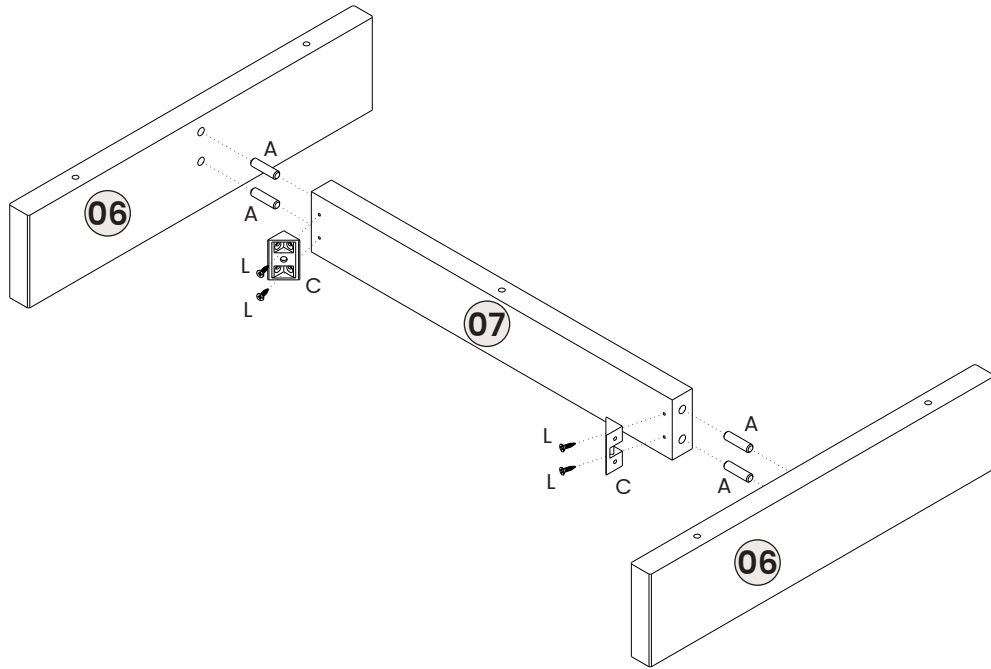
N x 1  
#KT.002

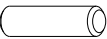




O x 10  
#PA.006

01

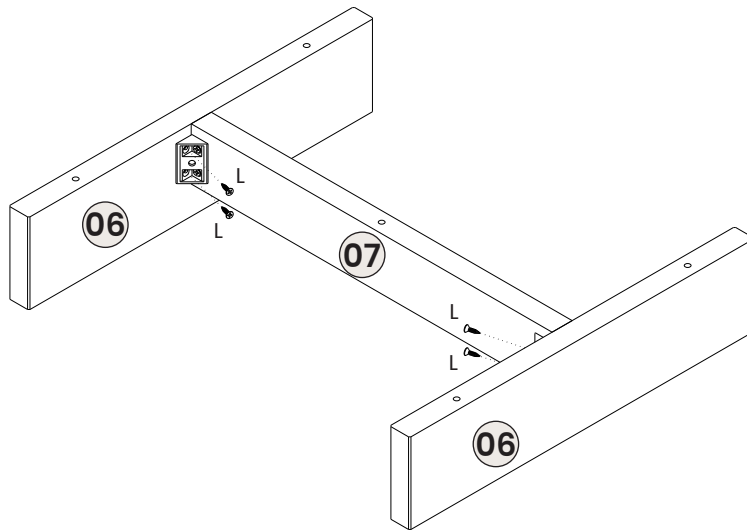
Fix the hardware C to part 07 with screw L.  
Then, attach the parts 06-08 with the hardware A.




<b>A x 4</b>	<b>C x 2</b>	<b>L x 4</b>
		

02

Fix the part 07 to part 06 with screw L.

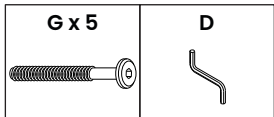
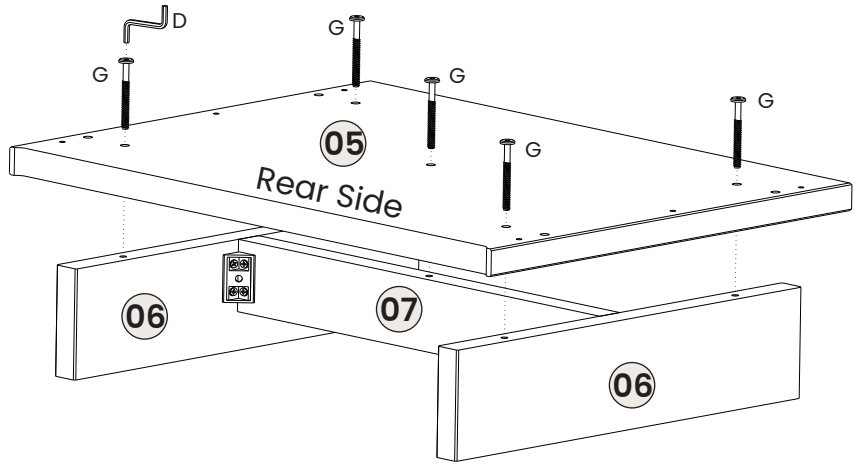


<b>L x 4</b>


03

Fix the part 05 to parts 06-07 with screw G and tool D.

06

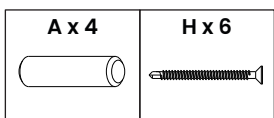
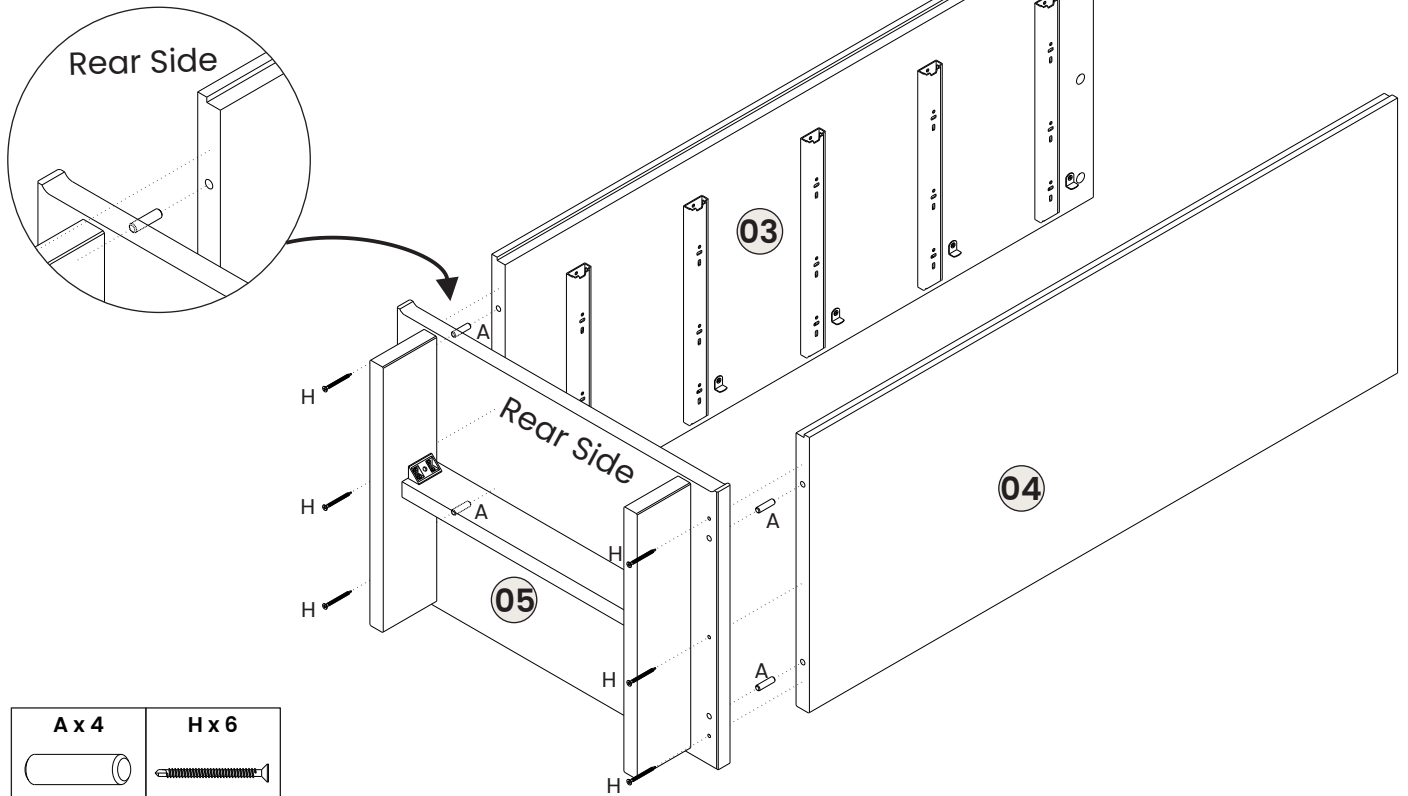


04

Attach the parts 03-45 to part 05 with hardware A.

Then, fix them with screw H.

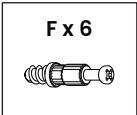
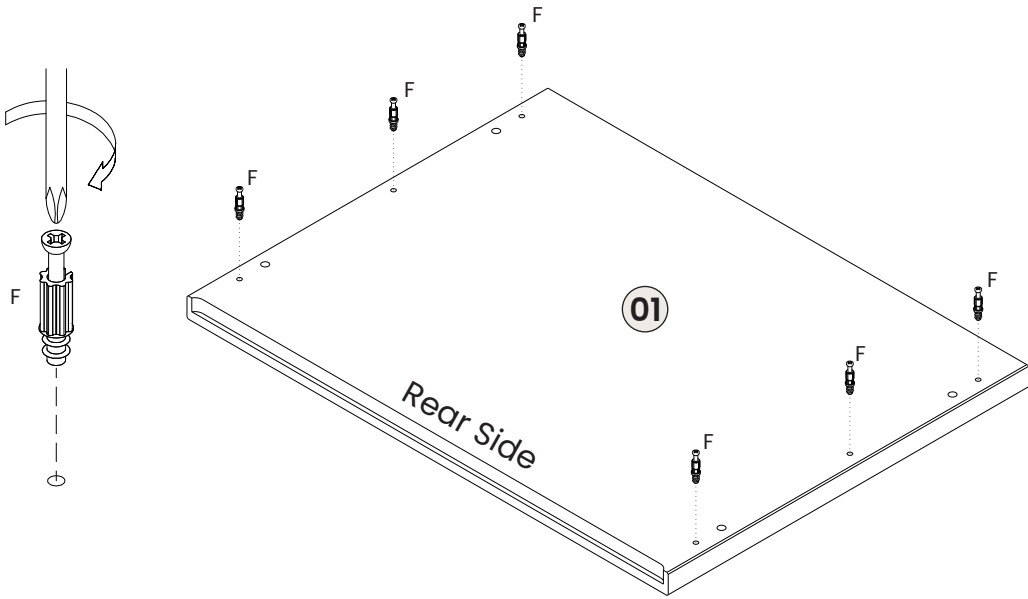
**Pay attention in detail to ensure correct assembling.**



05

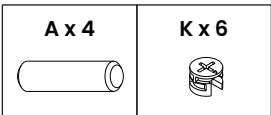
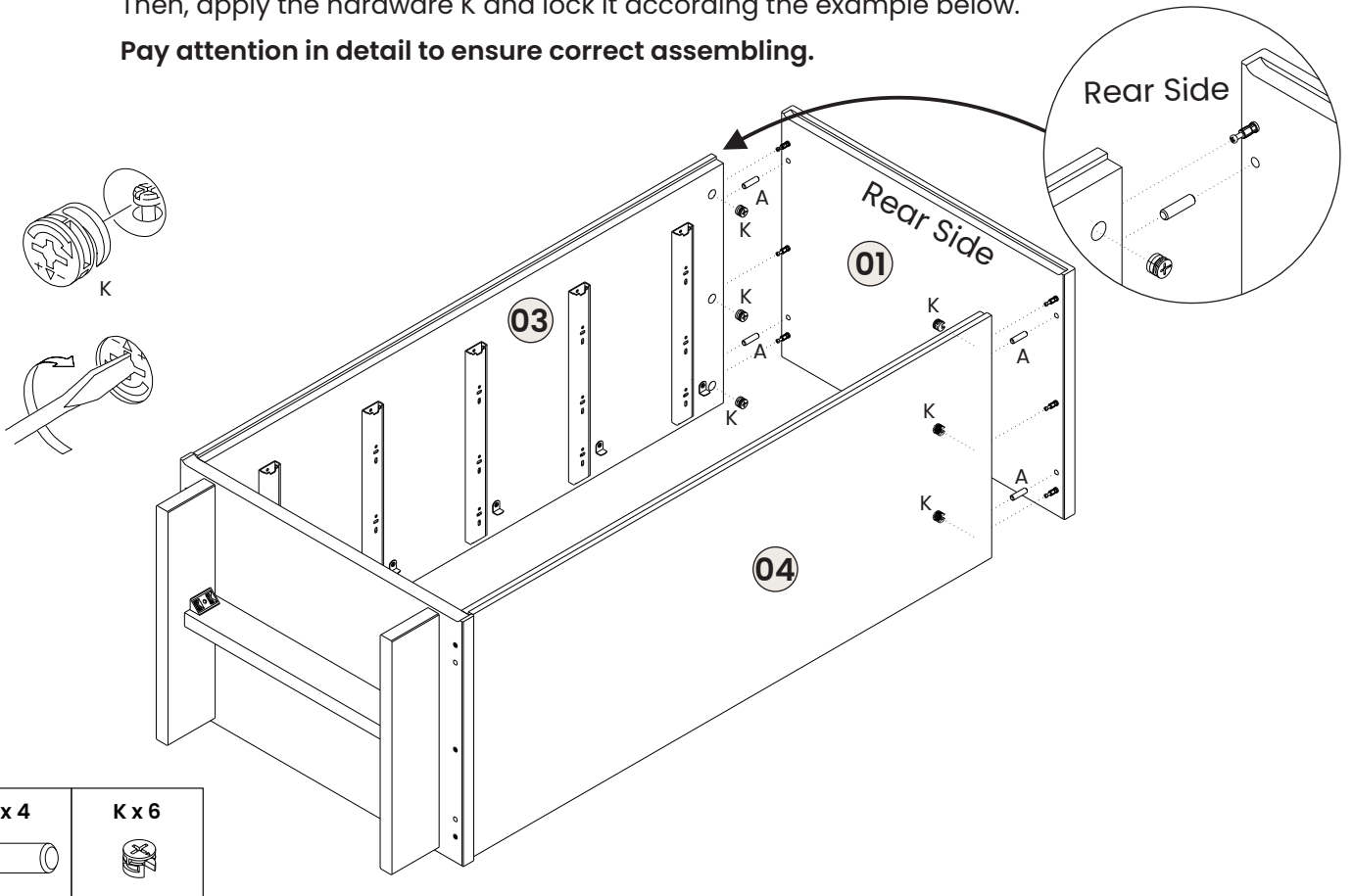
Fix the hardware F to part 01.

07



06

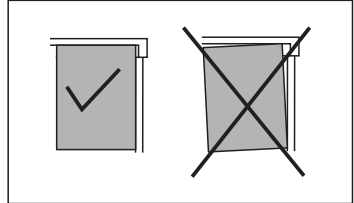
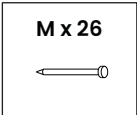
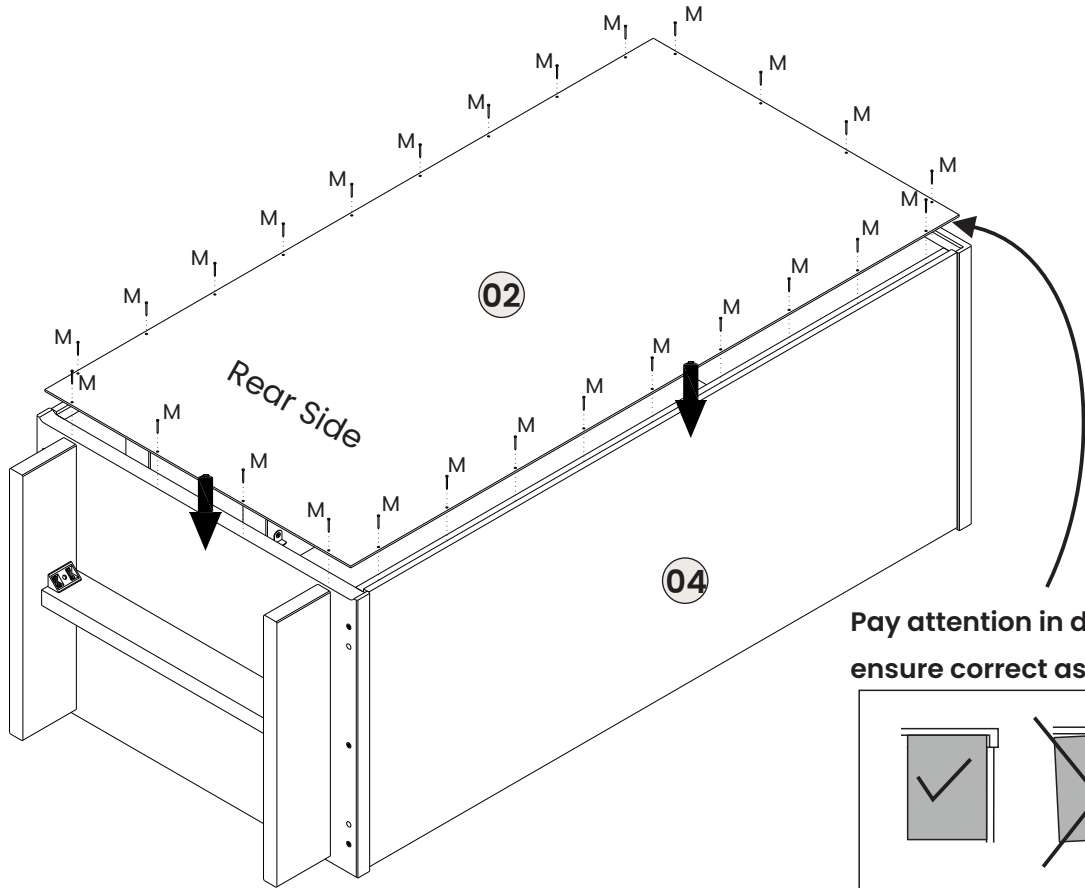
Attach the part 01 to parts 03-04 with hardware A.  
 Then, apply the hardware K and lock it according the example below.  
**Pay attention in detail to ensure correct assembling.**



07

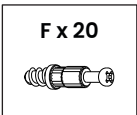
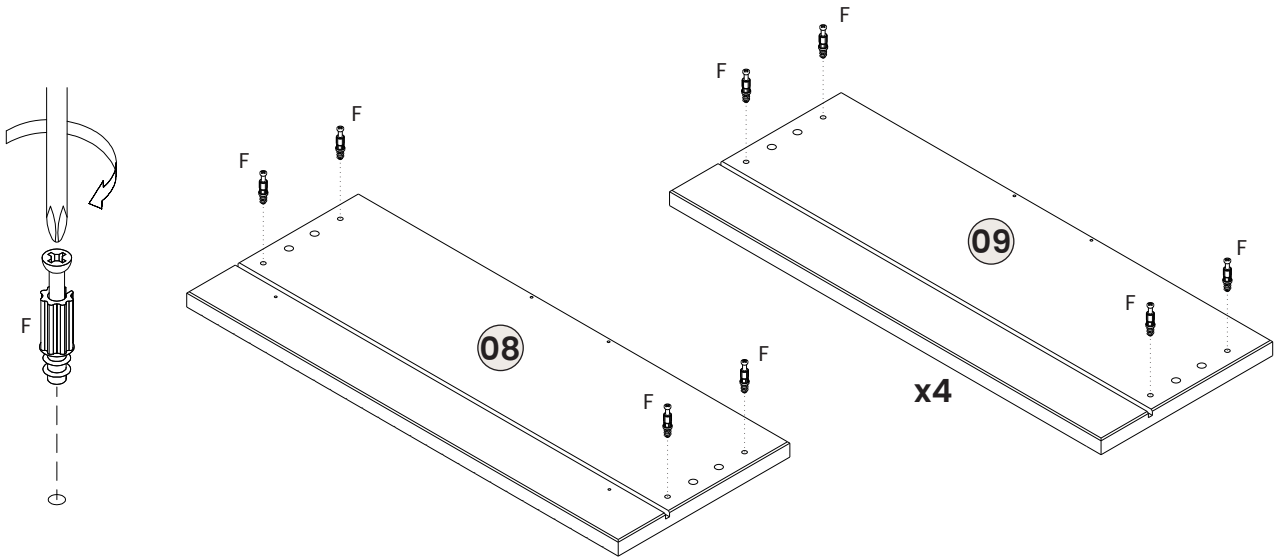
Position correctly the part 02 and fix it with the hardware M.

08



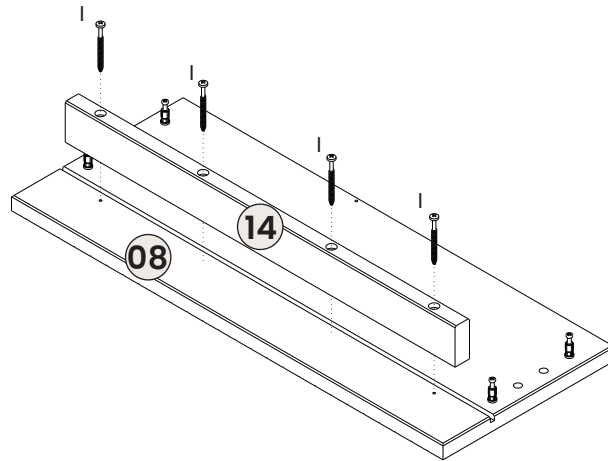
08

Fix hardware F to parts 08 and 09.



Specially to part 08, fix the part 14 with screw I.

**Please, start by fixing the ends. Then fix the intermediate screws.**



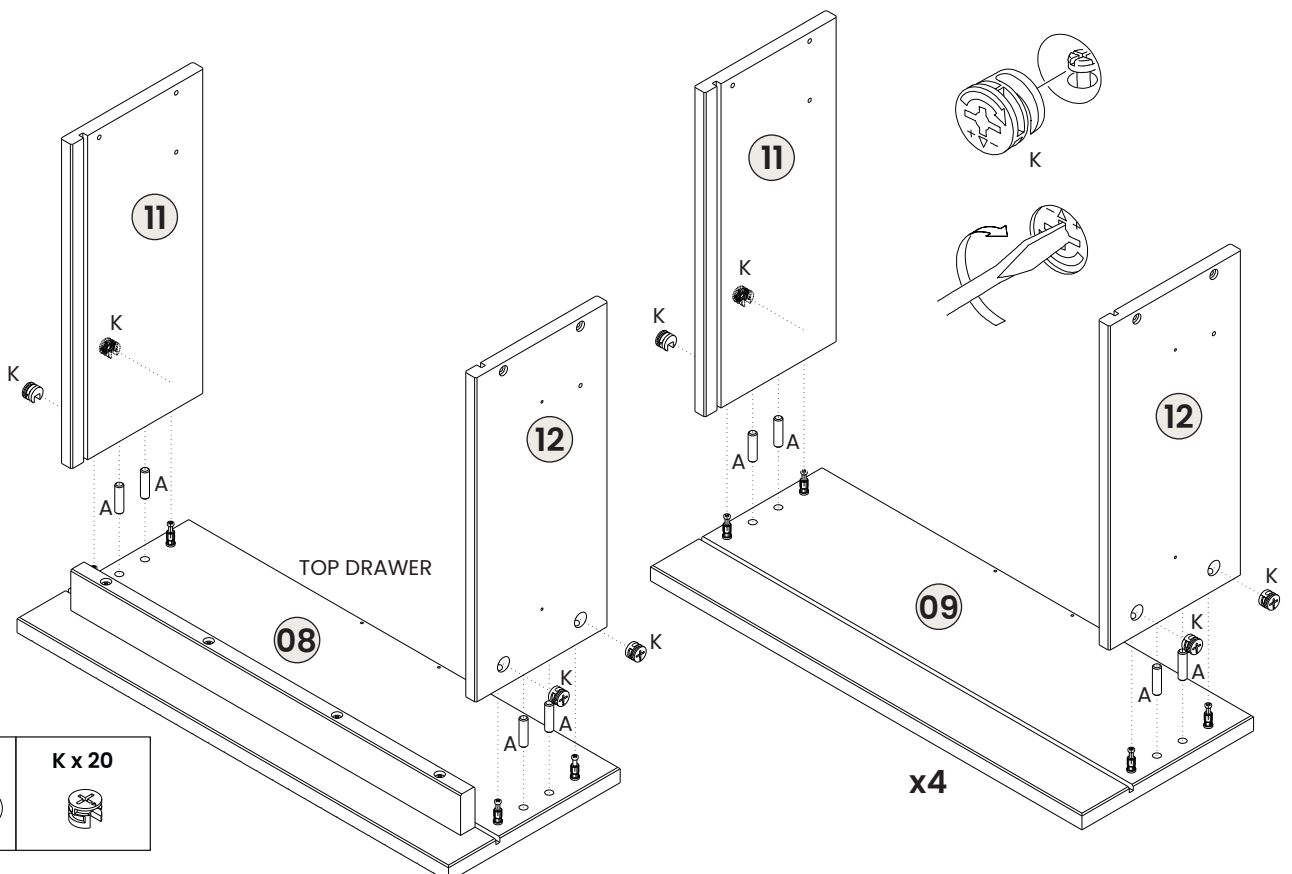
1 x 4



Attach the parts 08 to parts 11-12 with hardware A.

Then, apply the hardware K and lock it according the example below.

Equally, the same process is applied to parts 09-11-12.



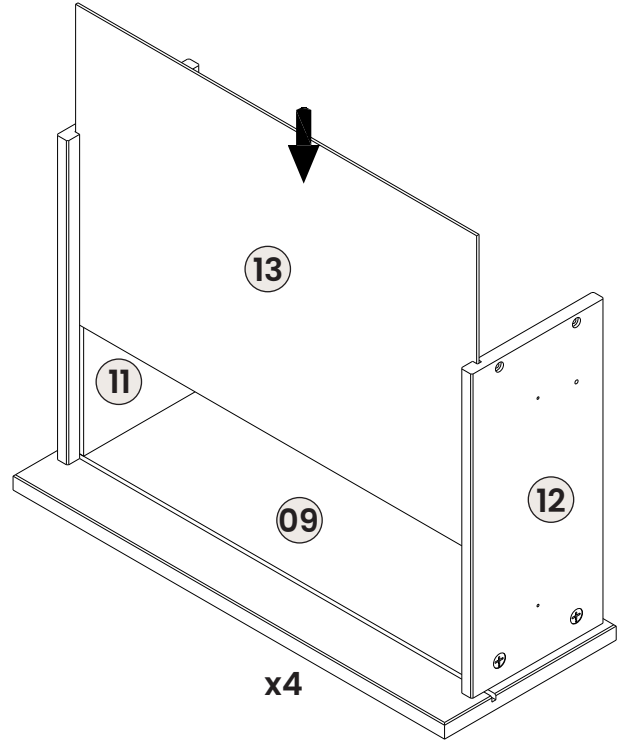
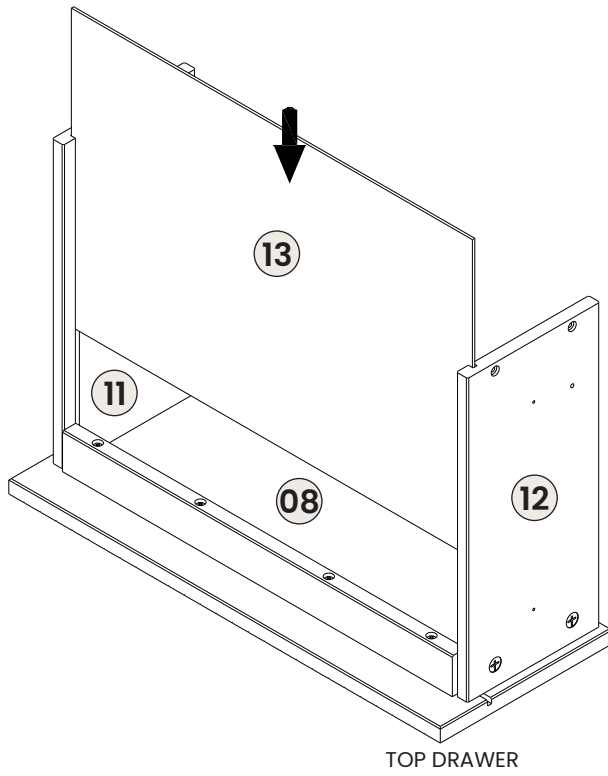
A x 20

K x 20



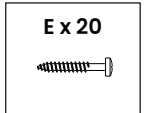
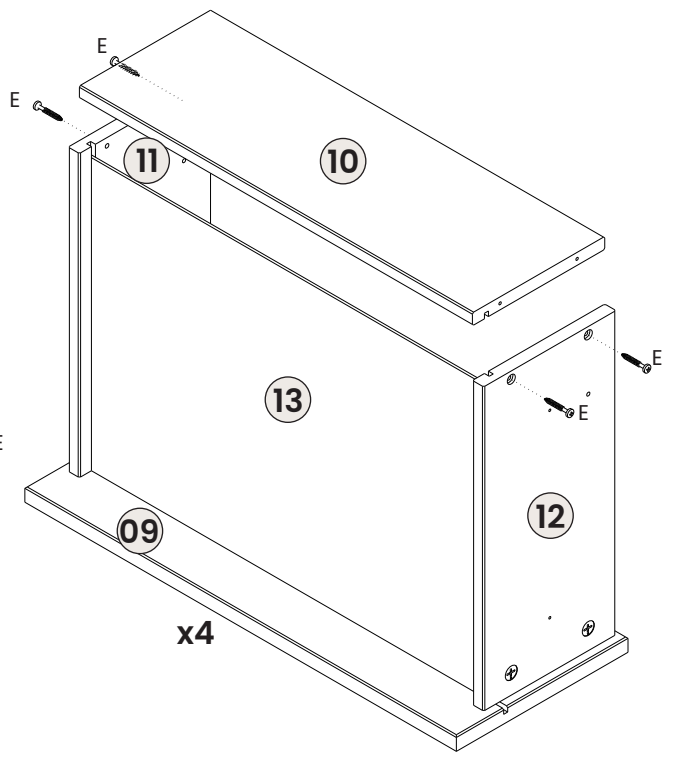
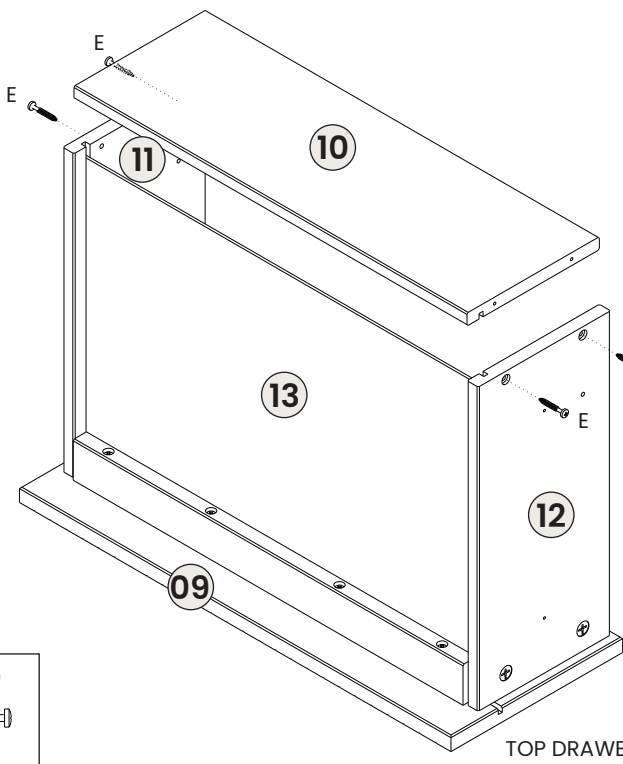
11

Apply the part 13 in the groove of the parts 11-12.



12

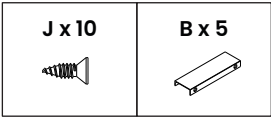
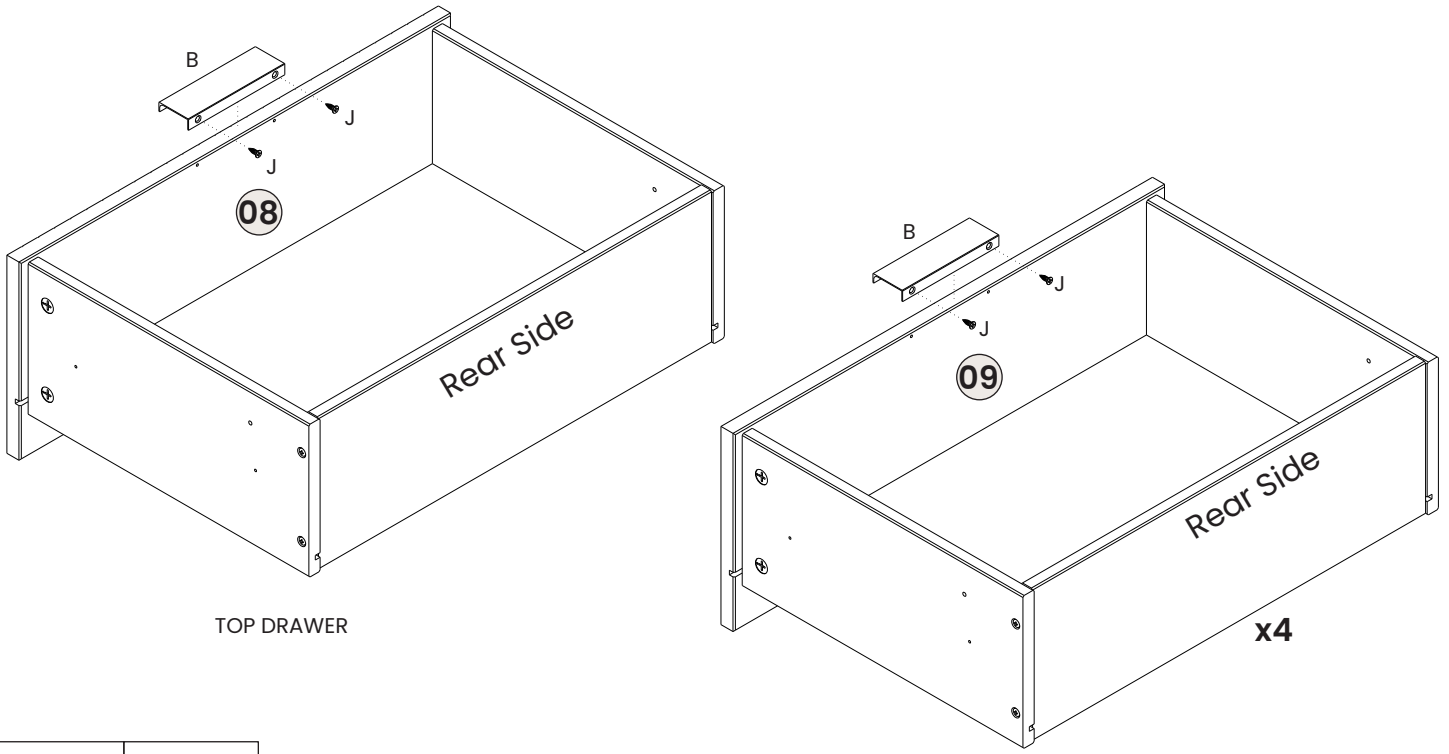
Attach the part 10 to parts 11-12-13. Then, fix the parts 11-12 to part 10 with screw E.



13

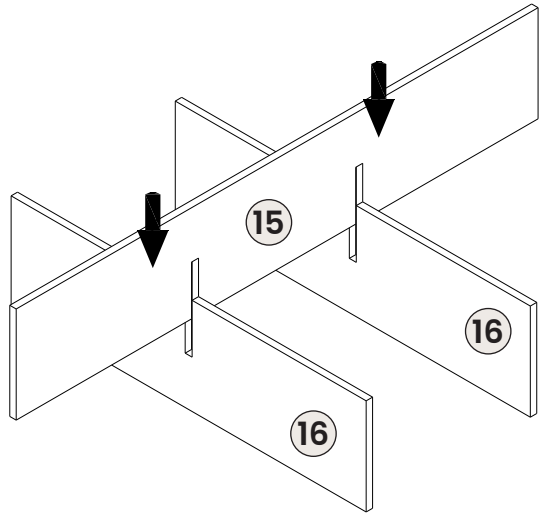
Apply the hardware B to parts 08-09.  
Then, fix them with screw J.

11



14

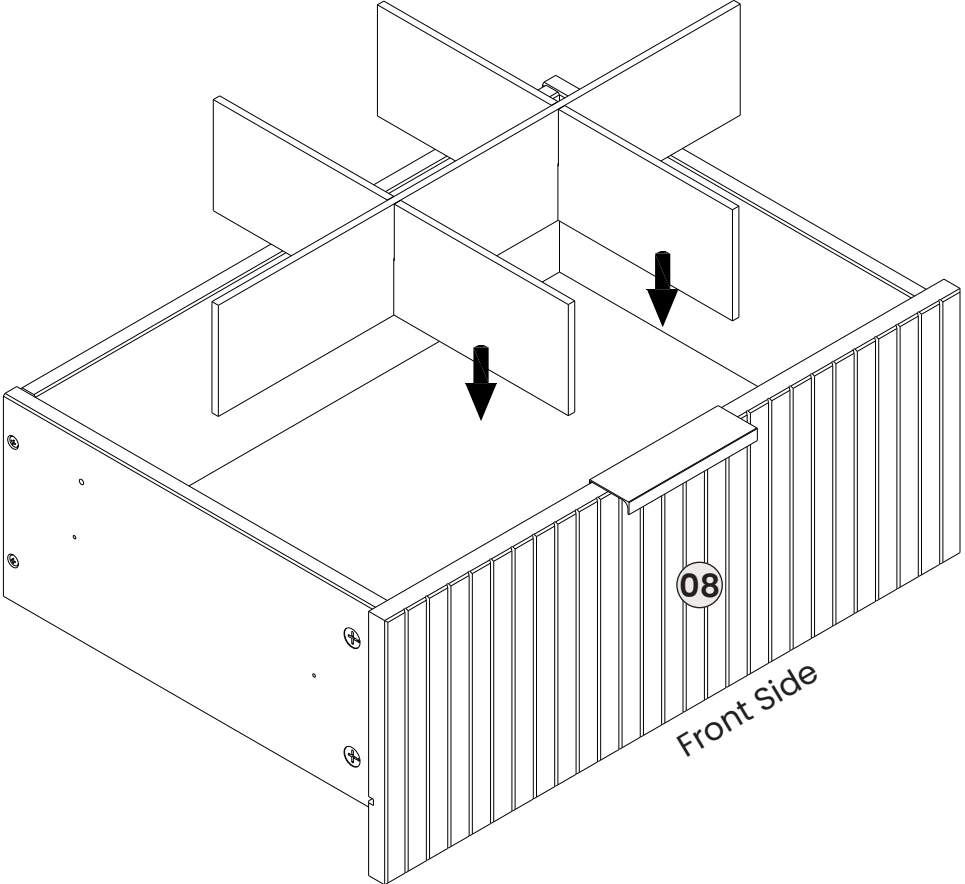
Attach part 15 to parts 16.



15

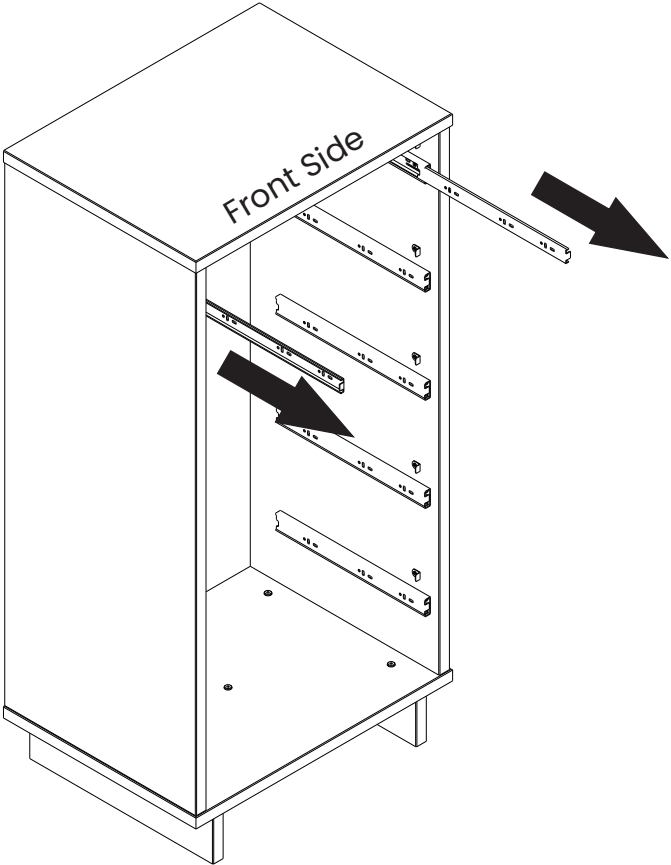
Attach Assembled Divison from the last step into the Top Drawer identified by part 08.

12



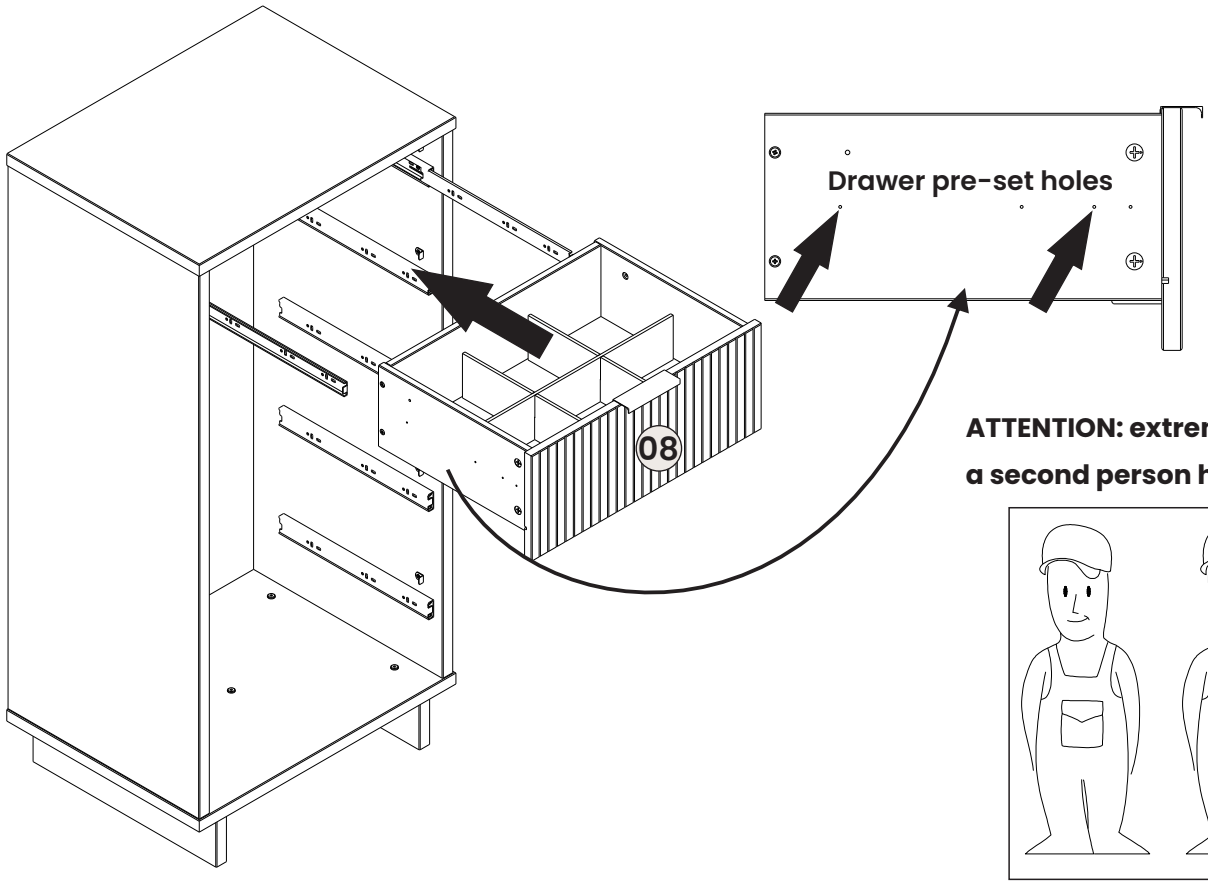
16

Before to fix the Drawers, you must extract the full extension of the Slides, by pulling off. Then, pay attention to the correctly holes according to the next steps.



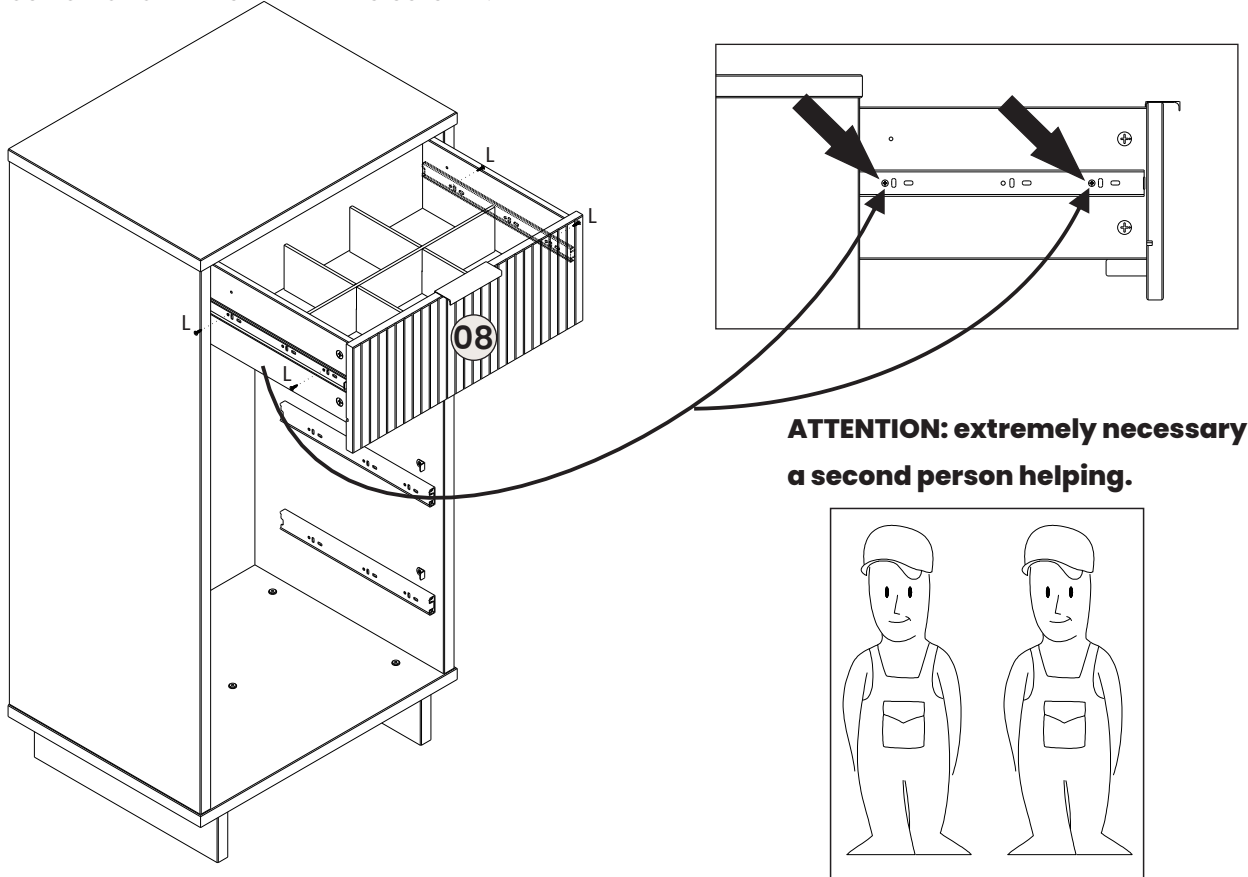
17

The Drawers have pre-set holes to help you on fixing them.  
Set the Drawer on correct position and pre-set holes, carefully.



18

Firstly, make sure that the Drawer is correctly positioned according to the detail  
The correct holes of the Slides must match with the pre-set holes of the Drawers.  
Position and fix them with the screw L.

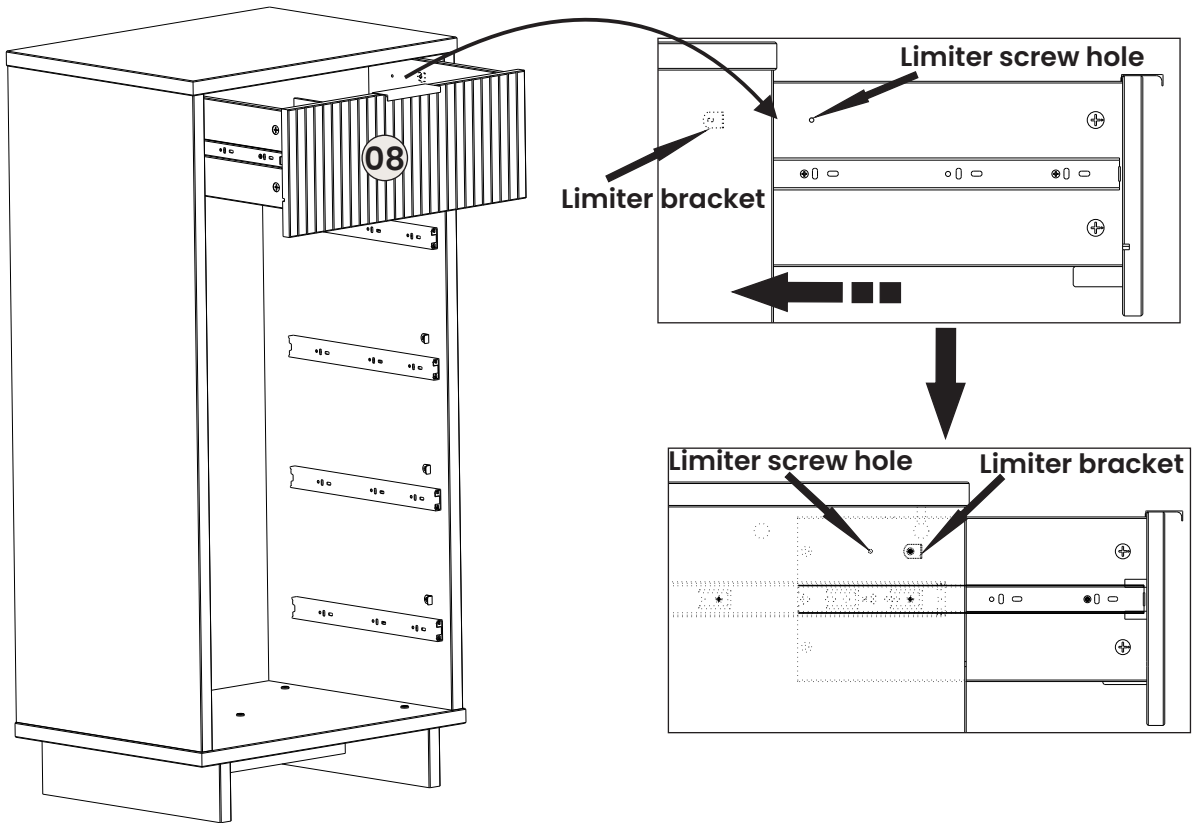


19

**You must put a drawer opening limiter screw.**

Firstly, keep the drawer partially open so that the limiter screw hole is behind the limiter bracket according to the detail.

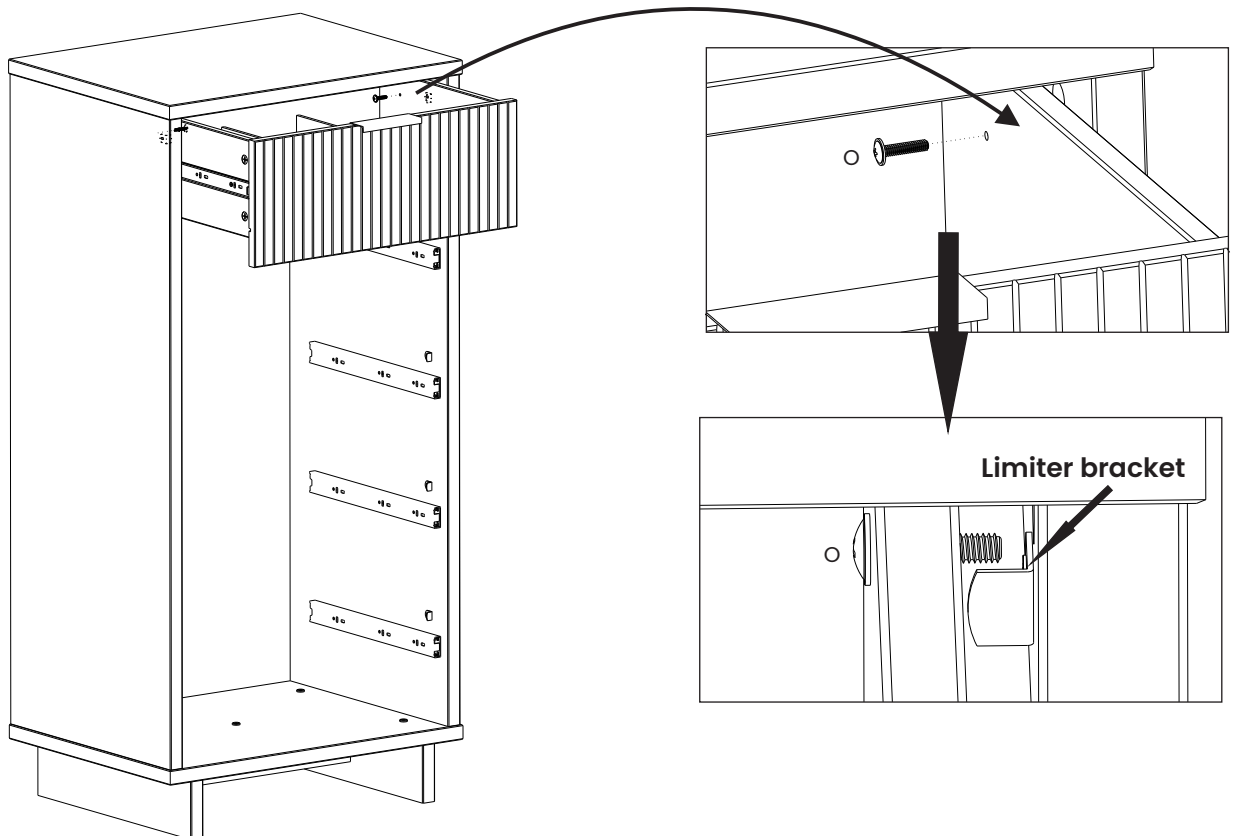
14



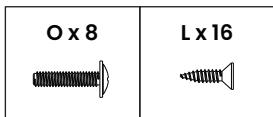
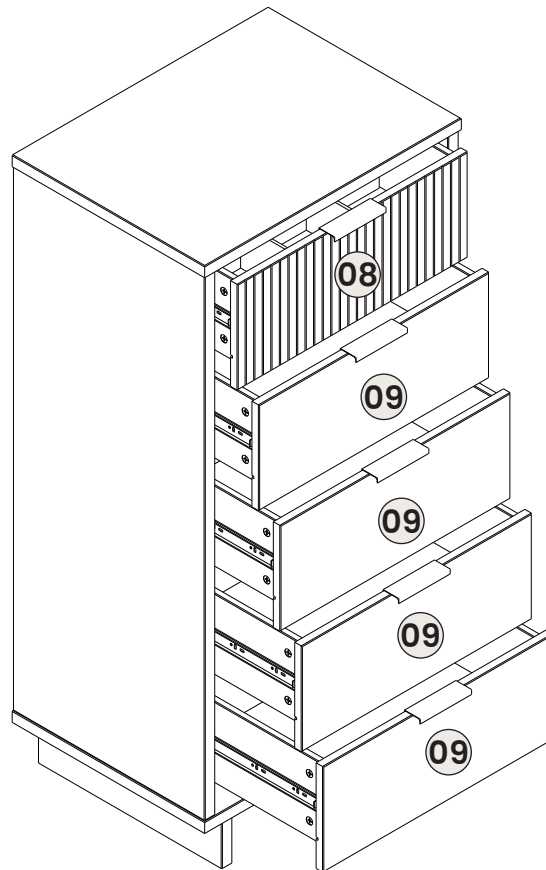
20

**ATTENTION: ensure the limiter screw hole is before the limiter bracket.**

Then, place the screw #PA.006 to retain the full opening of the drawer.



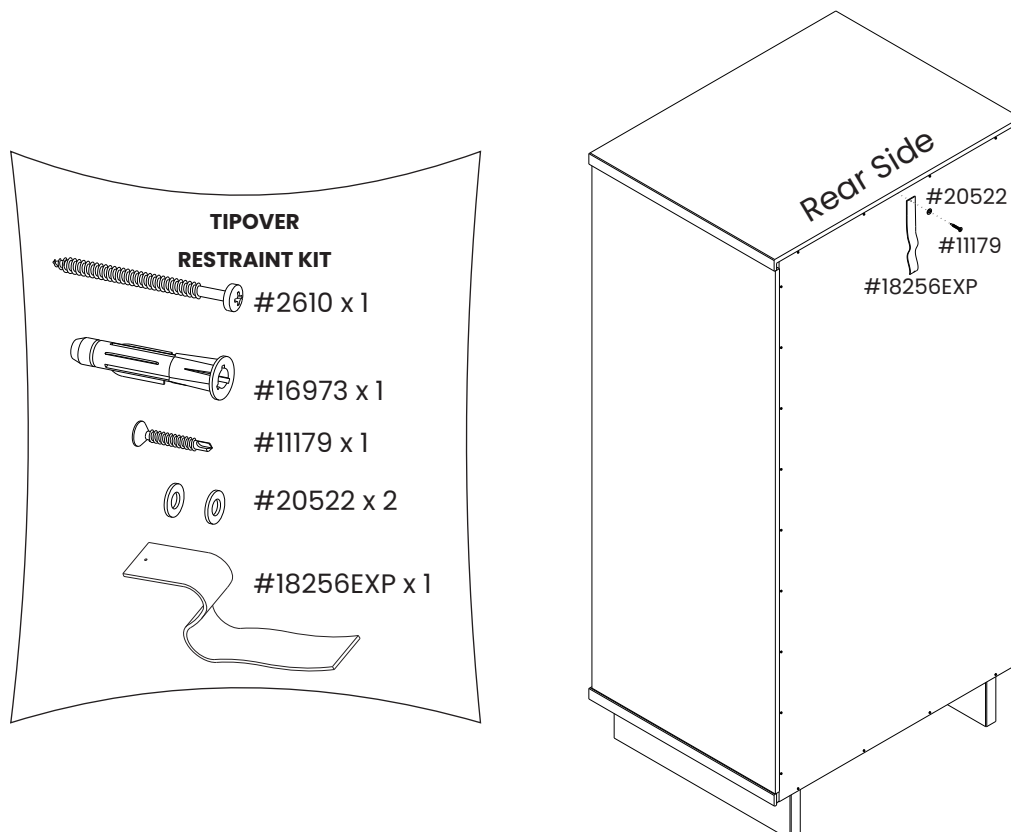
Apply the same fixing Drawers process and drawer opening limiter to the others drawers.



You must install the Tipover Restraint Kit (N) provided, in the rear side of the furniture.

Position the hardware #18256EXP and #20522.

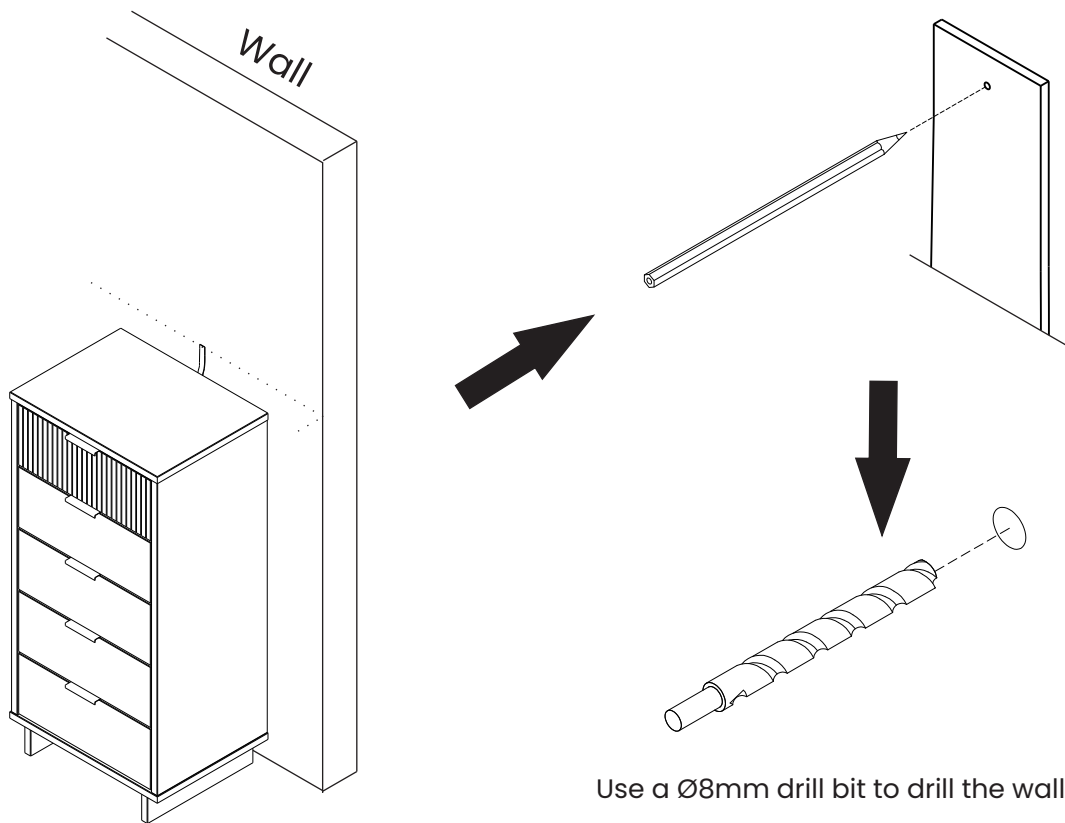
Fix them with screw #11179.



23

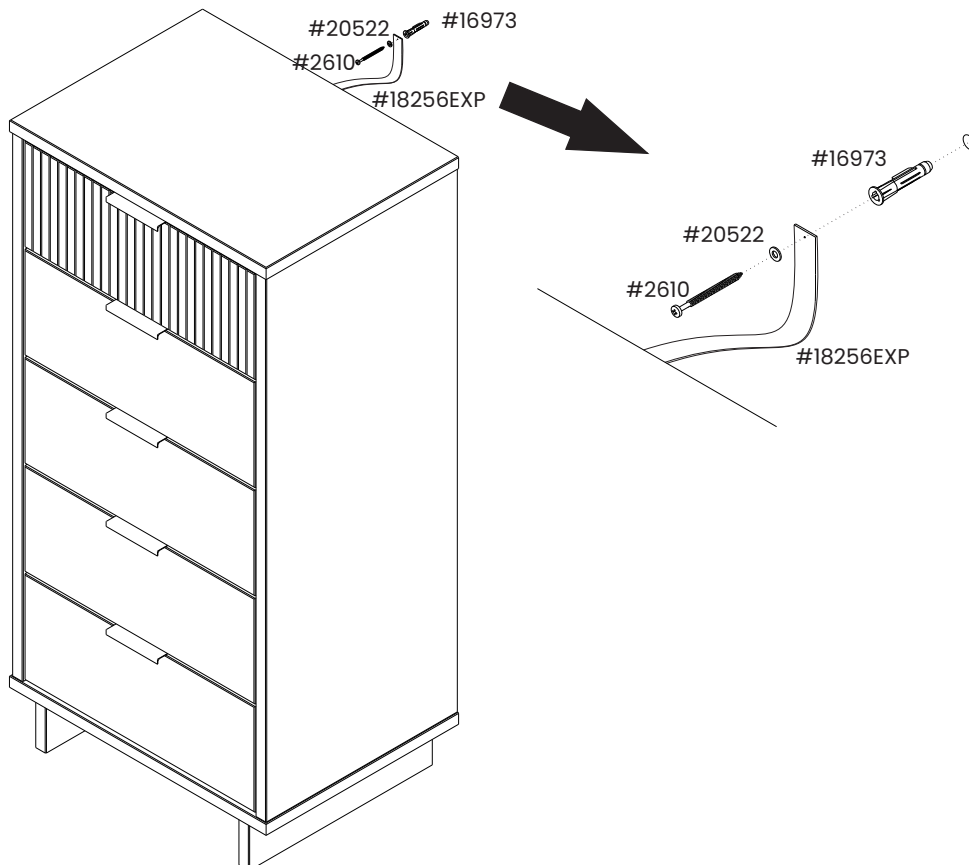
Approach the furniture as close as possible to the wall.  
Then, mark with a pencil where you should drill the wall to put in the hardware.

16



24

Put in the hardware #16973 to the hole that you drilled on the wall.  
Then, position the hardware #18256EXP and #20522.  
Finally, fix them with screw #2610.





MANHATTAN  
COMFORT

---

## **WARRANTY POLICY**

All Manhattan Comfort furniture products are warranted, to the original purchaser at the time of purchase and for a period of 30 days thereafter.

Our warranty is limited to new products purchased in factory sealed cartons. This warranty is valid in the United States of America and Canada.

In order to provide you with timely assistance, please thoroughly inspect your furniture for missing or defective parts immediately after opening the carton.

Manhattan Comfort offers a 30-day parts replacement warranty on all items.

Our furniture products are not intended for outdoor use.

### **THE WARRANTY DOES NOT COVER:**

- Defects/damages by improper assembly or disassembly.
- Defects/damages caused by shipping. Claims for damage during transit should be placed immediately to the transportation company.
- Defects/damages caused by inappropriate use of the furniture.



319 Ridge Rd. Dayton, NJ 08810

908-888-0818