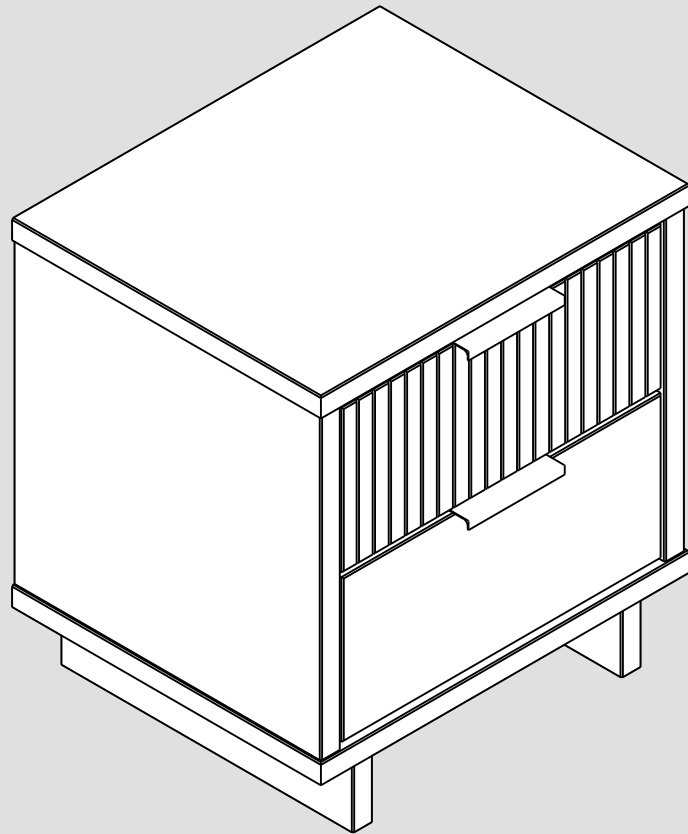




MANHATTAN
COMFORT

NS-501



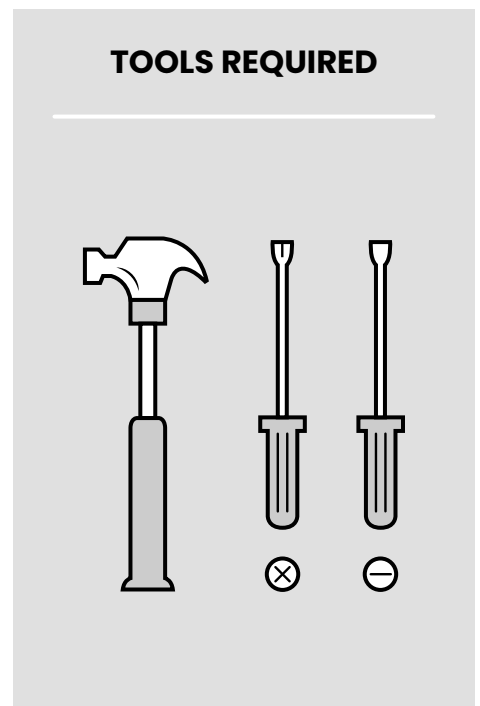
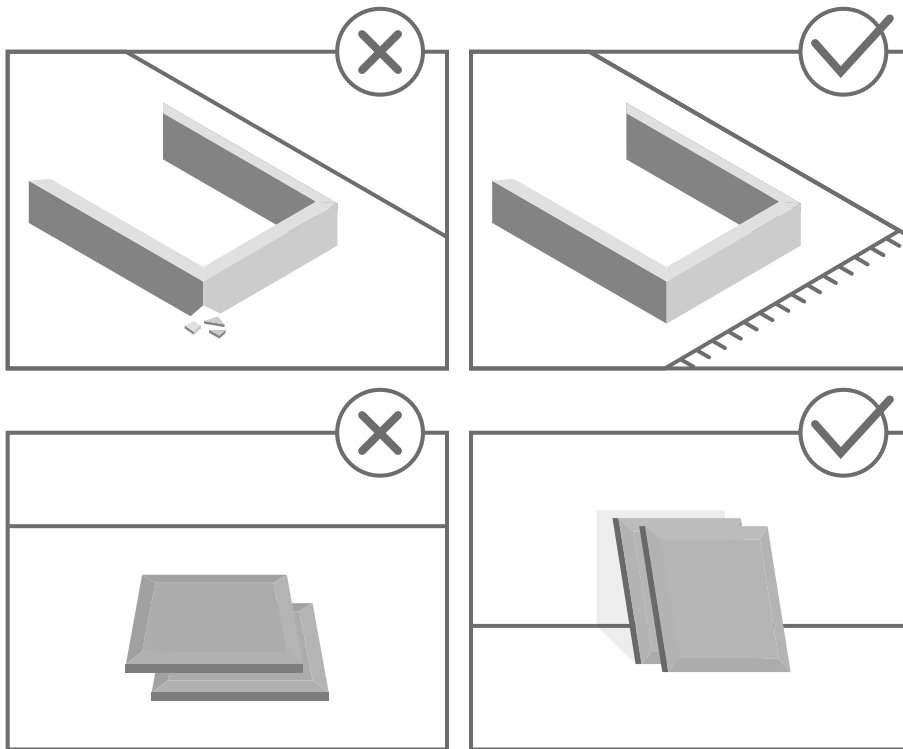


STOP!

Before beginning the assembly process, ensure all boxes and parts have been delivered.

FOR BEST RESULTS:

- Do not throw away packaging materials until assembly is complete.
- Assemble item on a soft surface, such as cardboard or carpet, to protect finish.
- Proper assembly requires two people.



View our assembly video online:
WWW.MANHATTANCOMFORT.COM

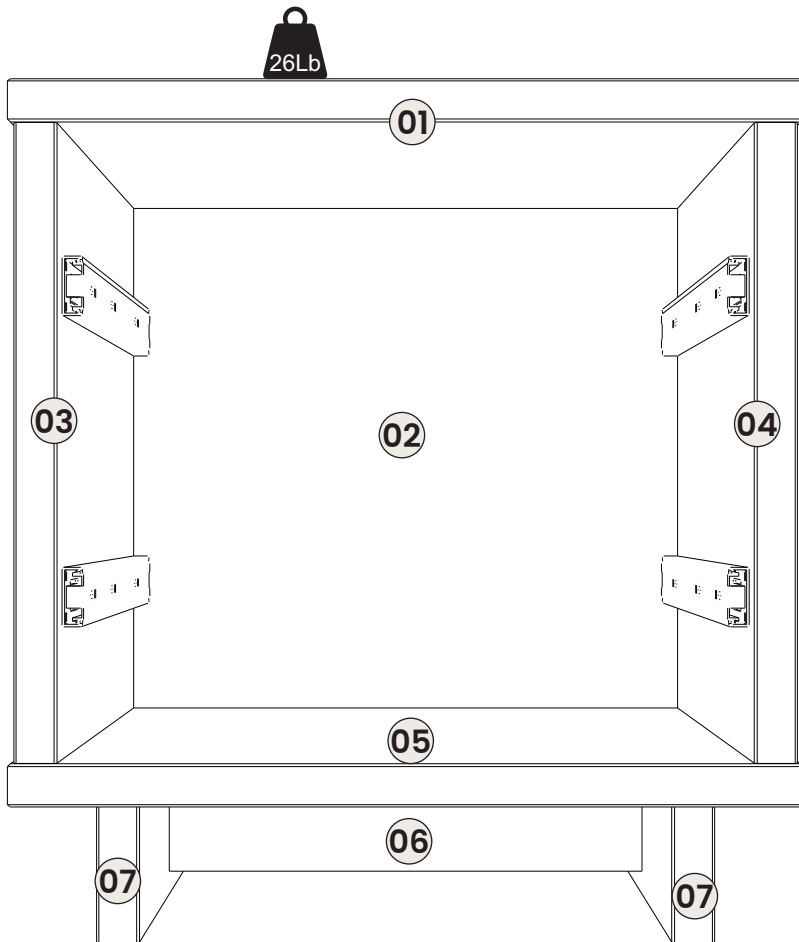


Stuck? Question? We are here to help.
tel: **908-888-0818**
e-mail: help@manhattancomfort.com

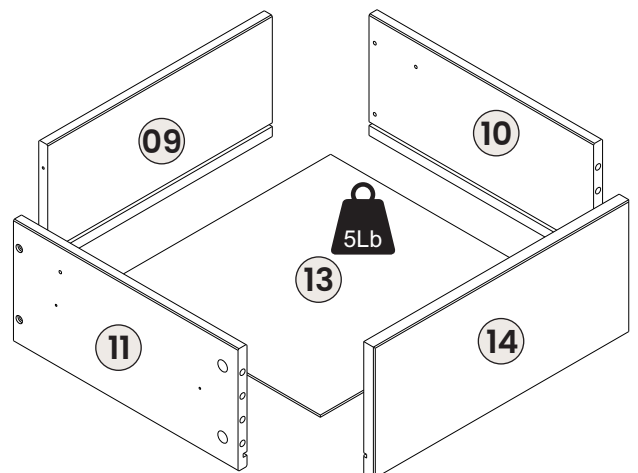
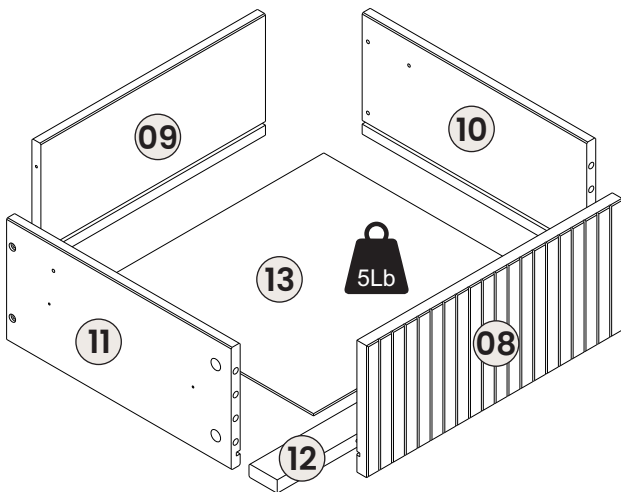
SUPPORT SITE



Included in this package:



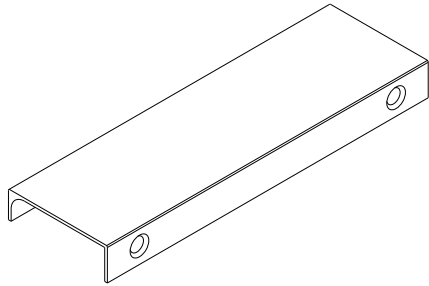
- 01. Top Panel x1
- 02. Back Panel x1
- 03. Left Side Panel x1
- 04. Right Side Panel x1
- 05. Bottom Panel x1
- 06. Feet Crossbar x1
- 07. Foot x2
- 08. Top Drawer Front x1
- 09. Drawer Back x2
- 10. Drawer Right Side x2
- 11. Drawer Left Side x2
- 12. Top Drawer Support x1
- 13. Drawer Bottom x2
- 14. Drawer Front x1



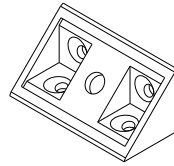
Included in this package:



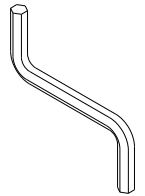
A x 20
#23857



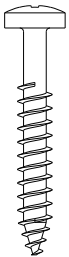
B x 2
#PX.017



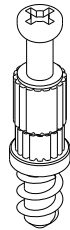
C x 2
#CA.002



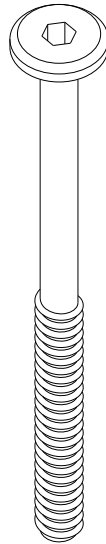
D x 1
#2196



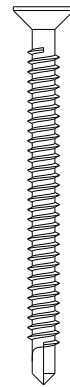
E x 8
#69



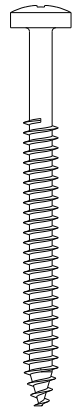
F x 12
#10385



G x 4
#1788



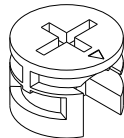
H x 4
#11170



I x 4
#284



J x 4
#259



K x 12
#10386



L x 16
#1616



M x 14
#393

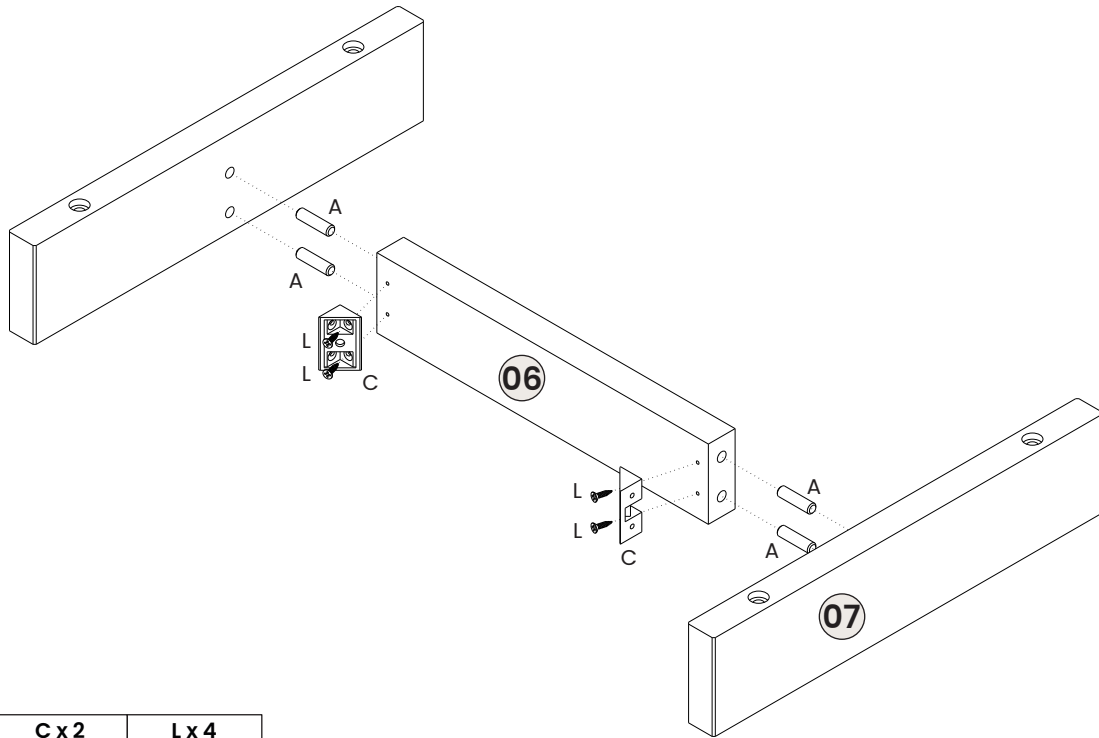


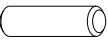


N x 1
#KT.002

01

Fix the hardware C to part 06 with screw L.
Then, attach the parts 06-07 with the hardware A.

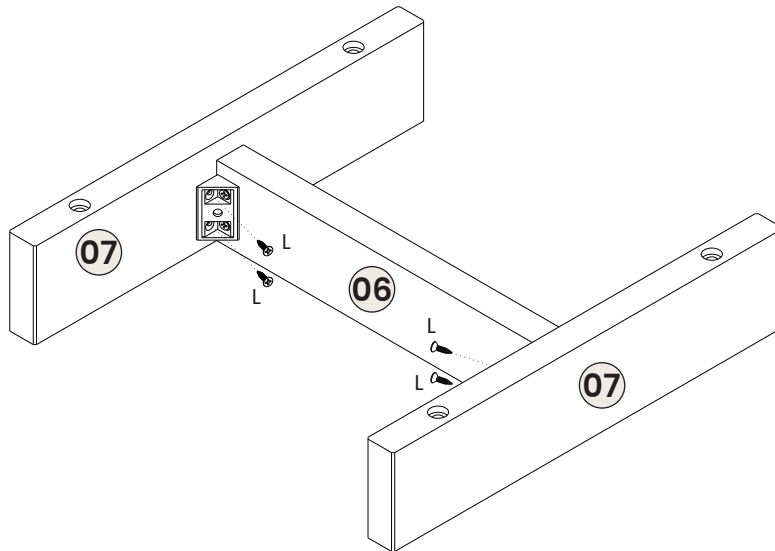
05




A x 4 	C x 2 	L x 4 
--	---	---

02

Fix the part 06 to part 07 with screw L.

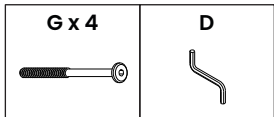
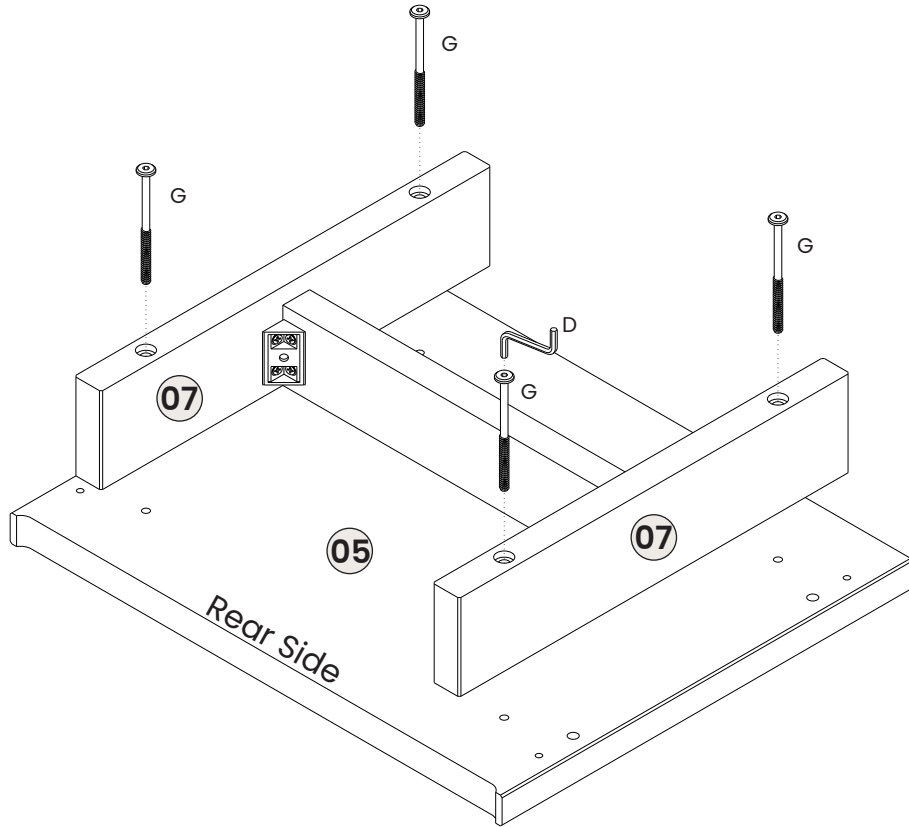


L x 4 

03

Fix the part 05 to parts 07 with screw G and tool D.

06

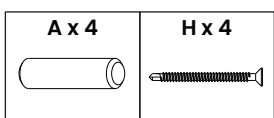
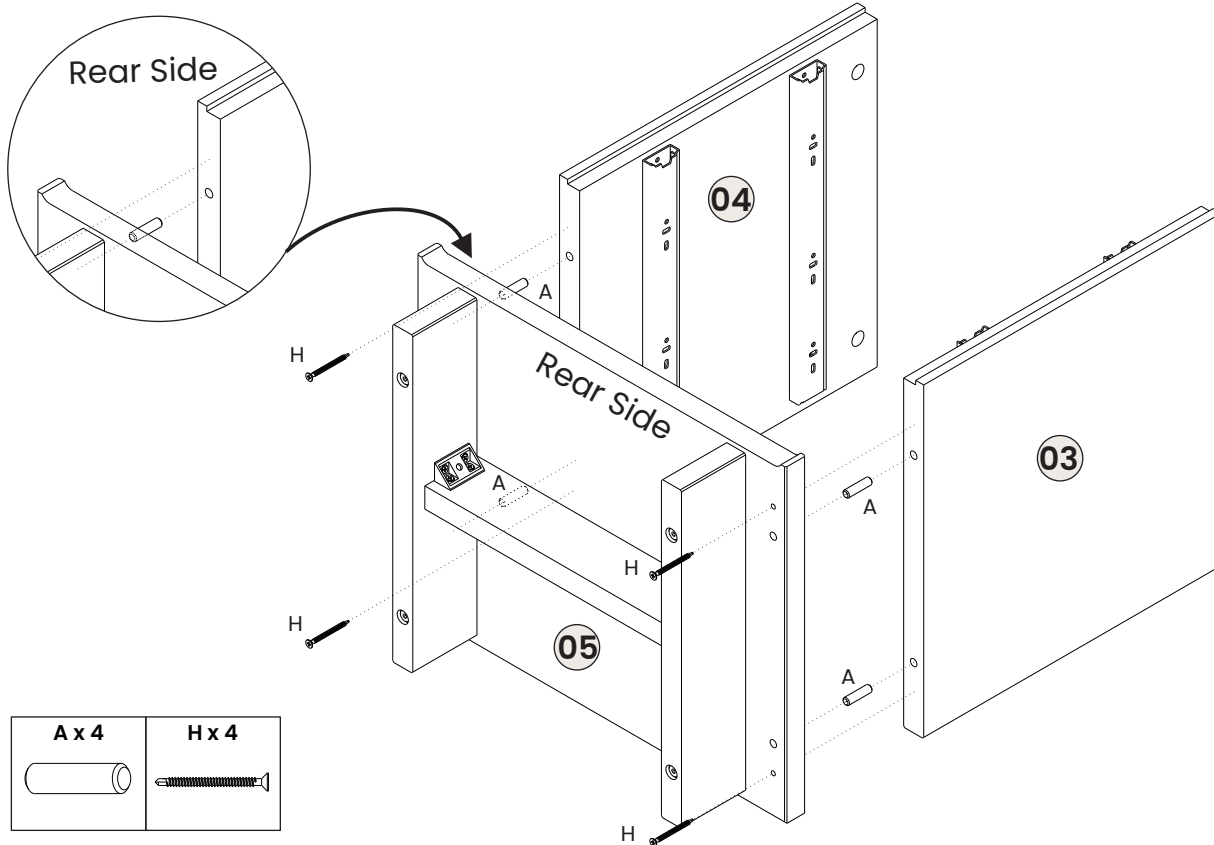


04

Attach the parts 03-04 to part 05 with hardware A.

Then, fix them with screw H.

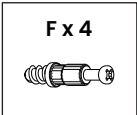
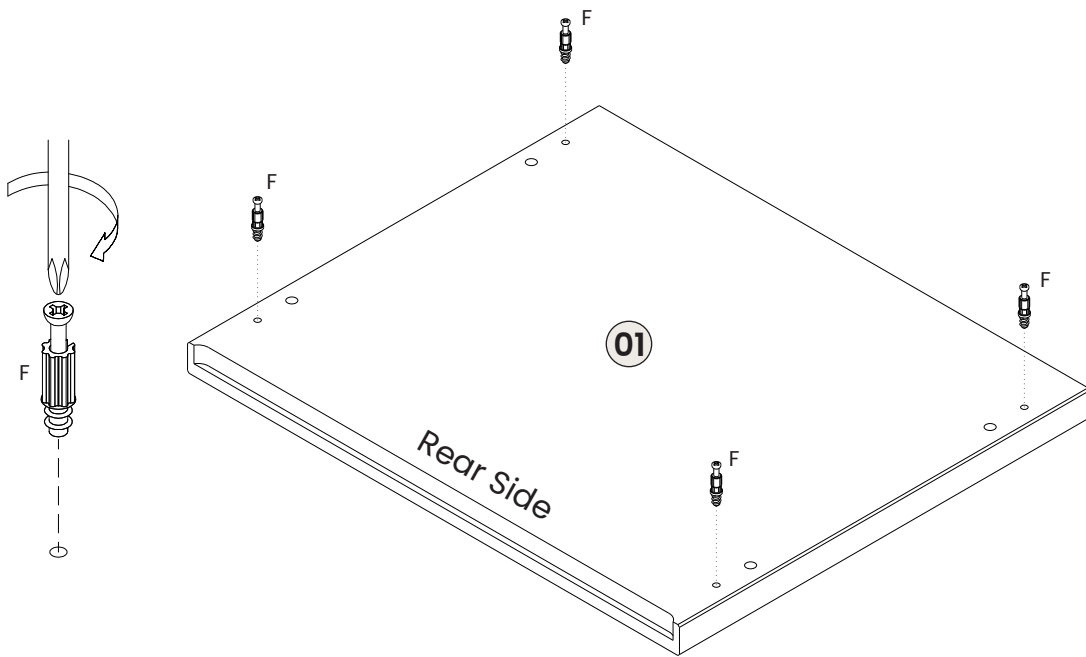
Pay attention in detail to ensure correct assembling.



05

Fix the hardware F to part 01.

07

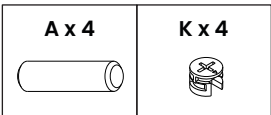
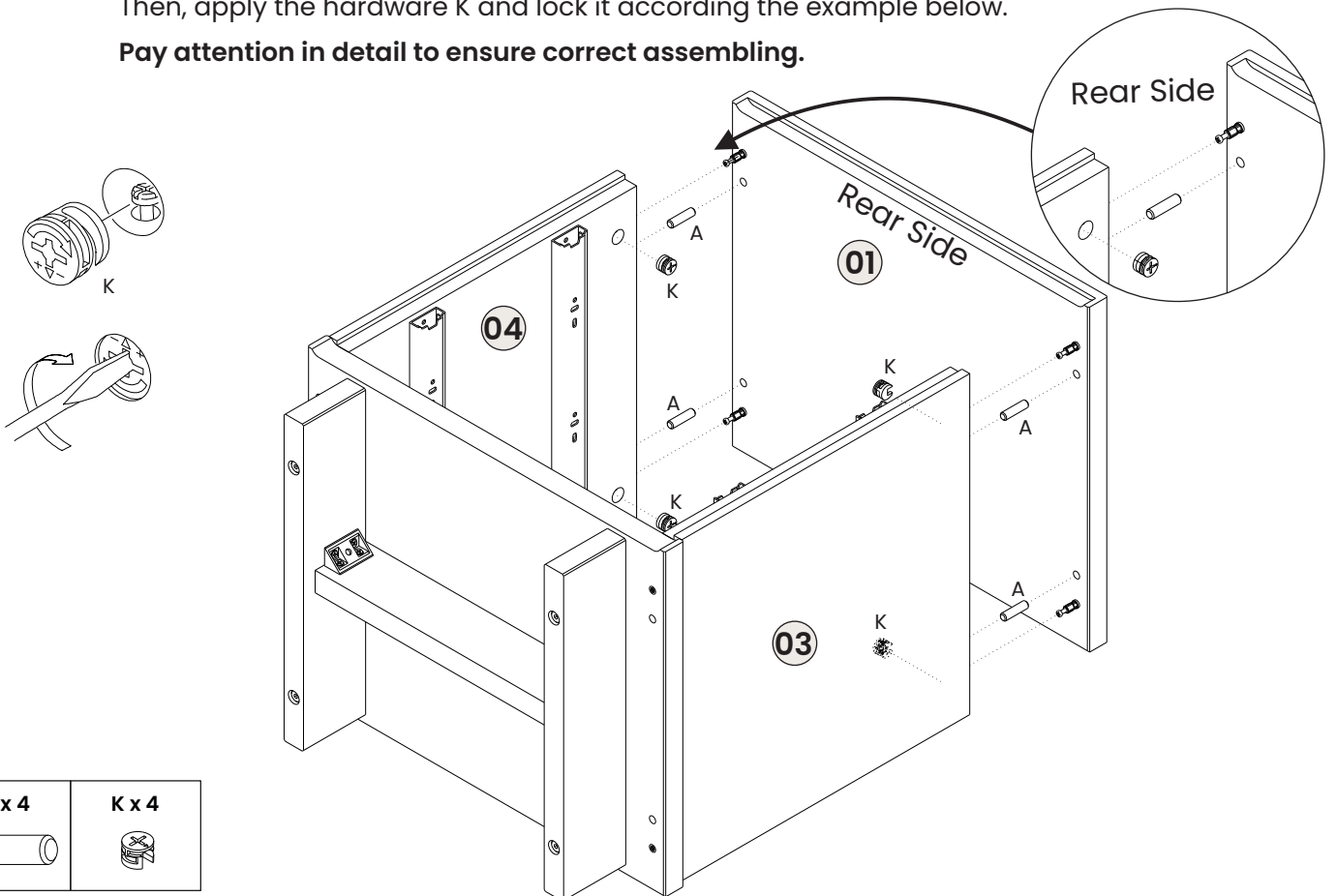


06

Attach the part 01 to parts 03-04 with hardware A.

Then, apply the hardware K and lock it according the example below.

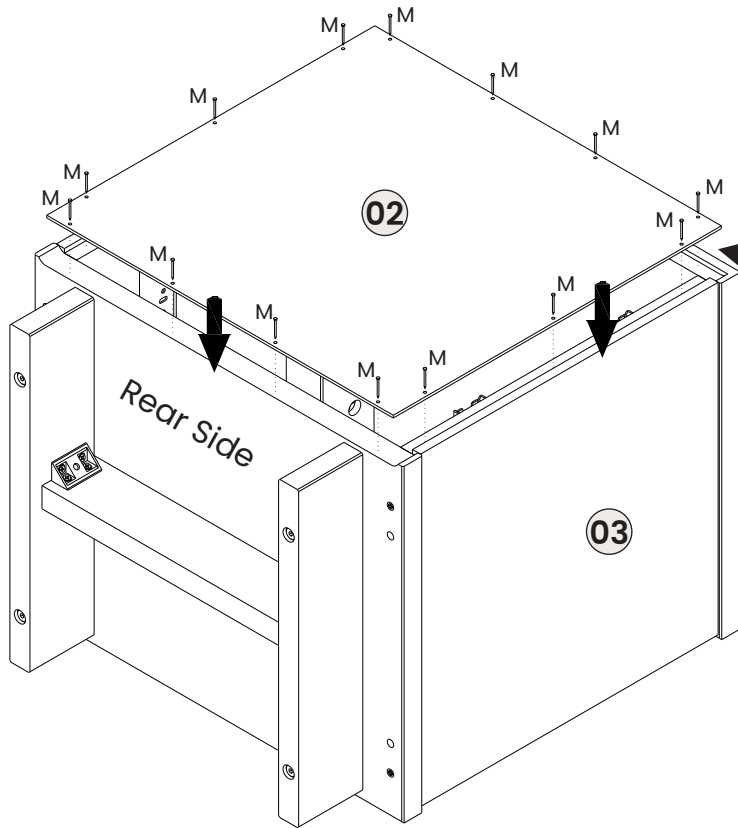
Pay attention in detail to ensure correct assembling.



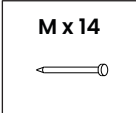
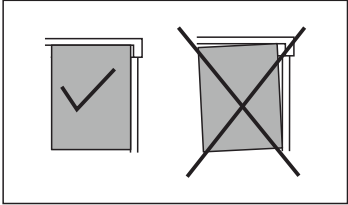
07

Position correctly part 02 and fix it with the hardware M.

08

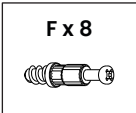
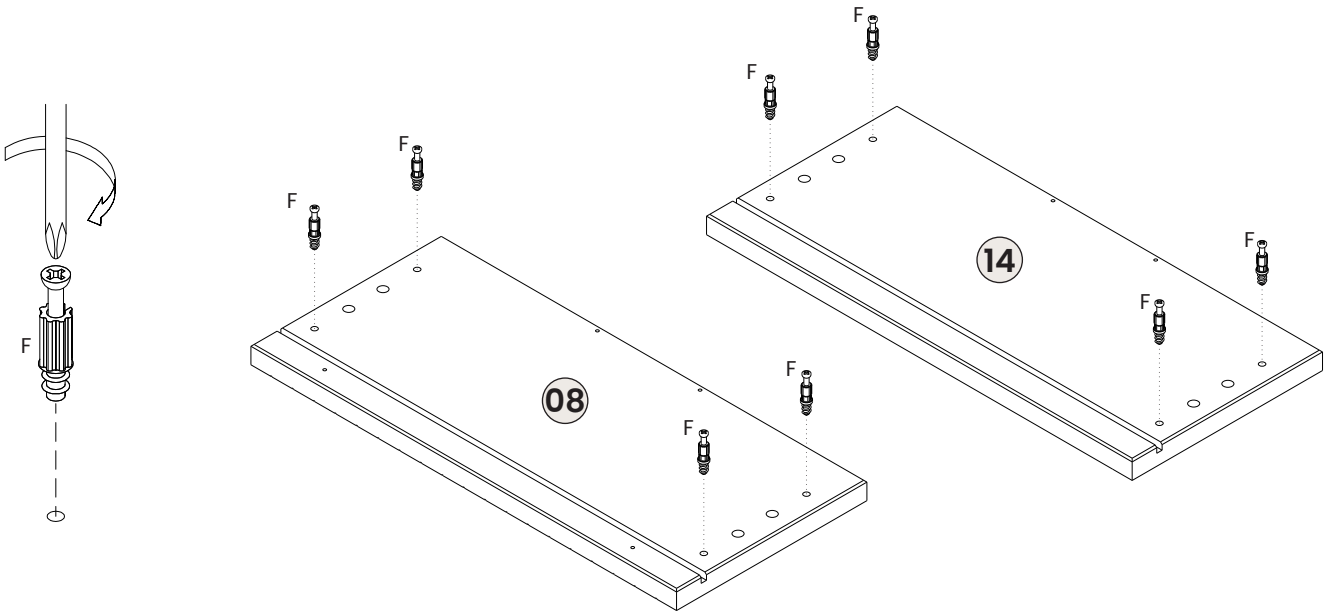


Pay attention in detail to ensure correct assembling.



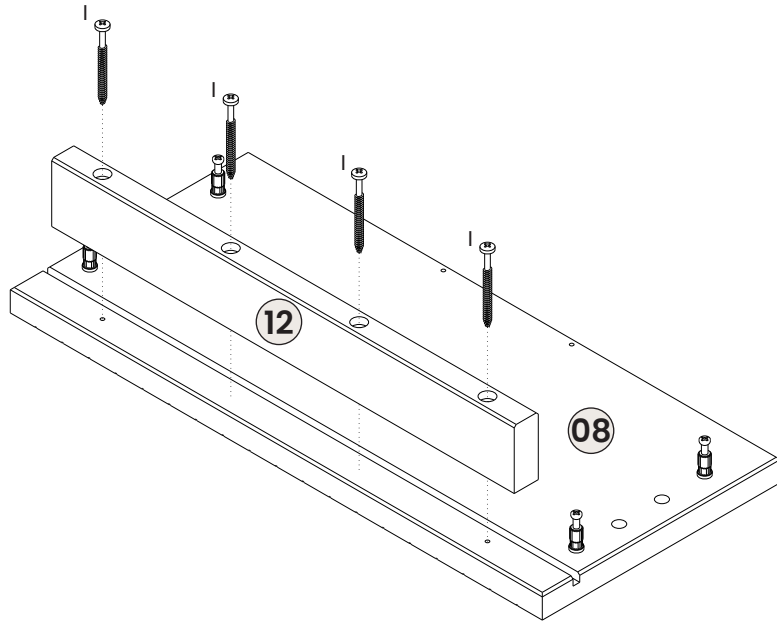
08


Fix hardware F to parts 08 and 14.



Specially to part 08, fix the part 12 with screw I.

Please, start by fixing the ends. Then fix the intermediate screws.

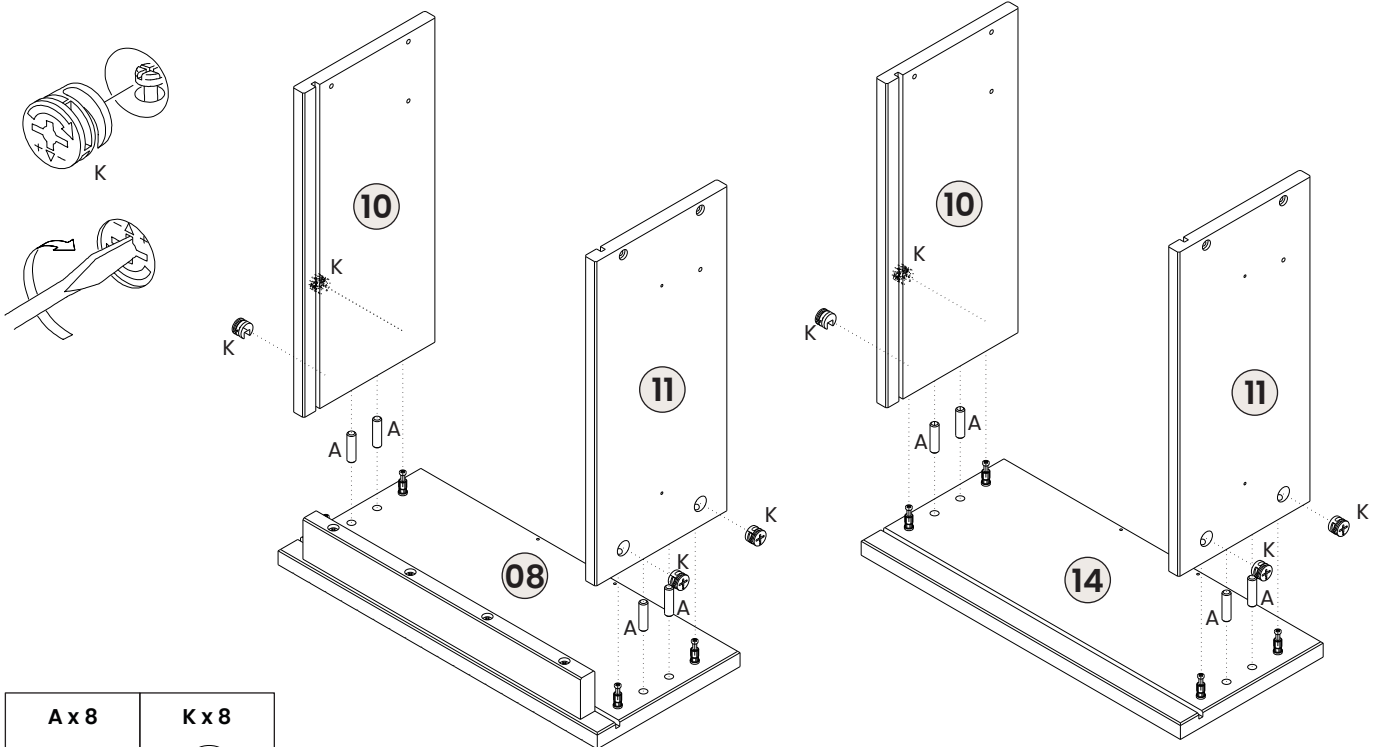


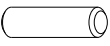

1 x 4


Attach the parts 08 to parts 10-11 with hardware A.

Then, apply the hardware K and lock it according the example below.

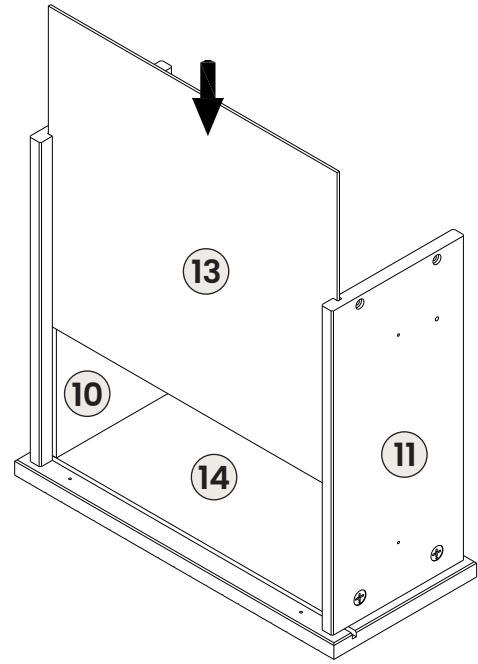
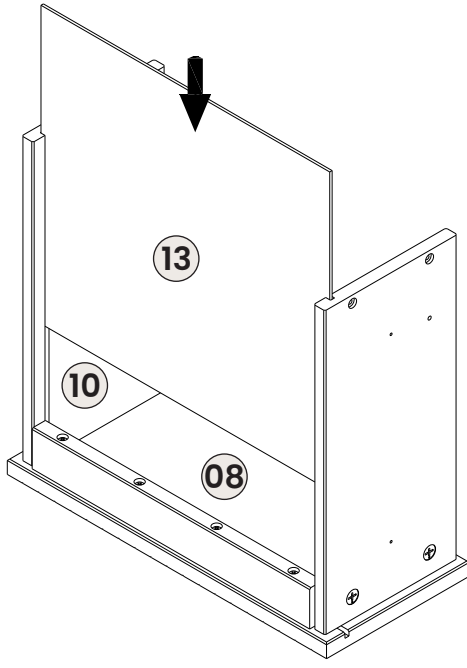
Equally, the same process is applied to parts 14-10-11.



A x 8	K x 8
	

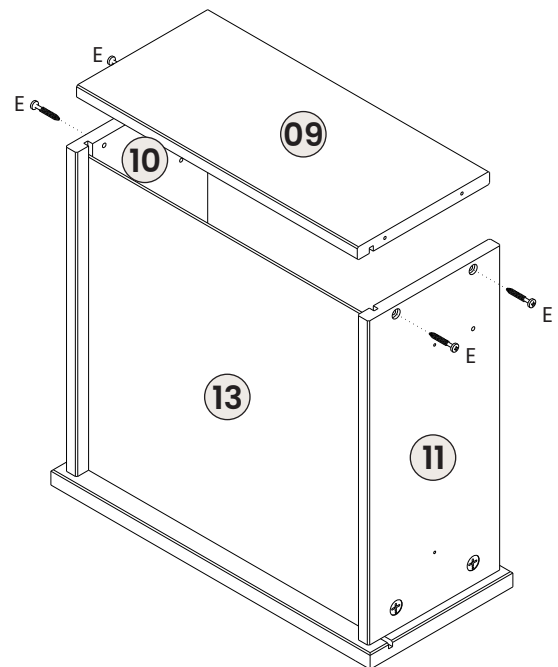
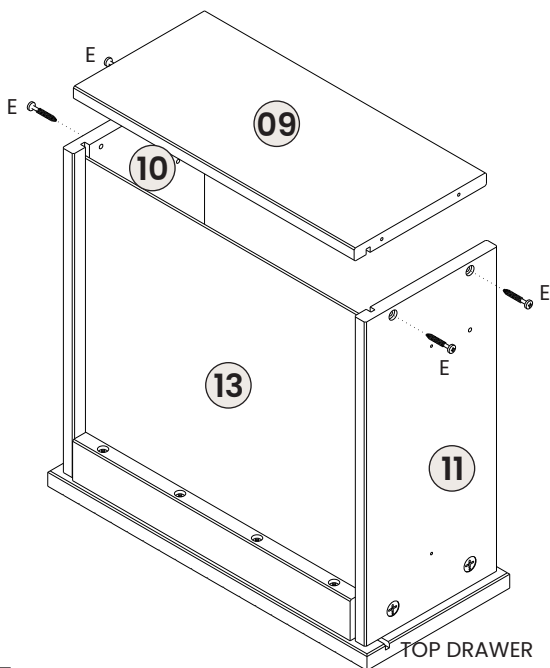
TOP DRAWER

Apply the part 13 in the groove of the parts 10-11.

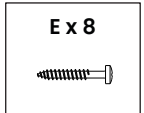


TOP DRAWER

Attach the part 09 to parts 10-11-13.
Then, fix the parts 10-11 to part 09 with screw E.



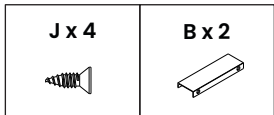
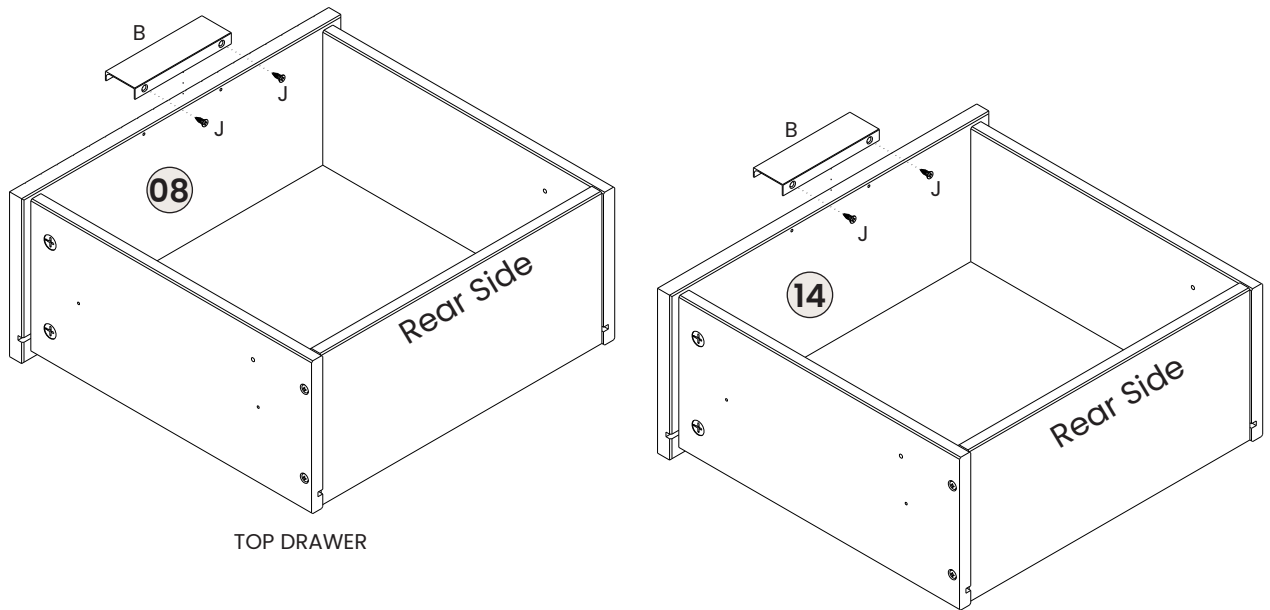
TOP DRAWER



13

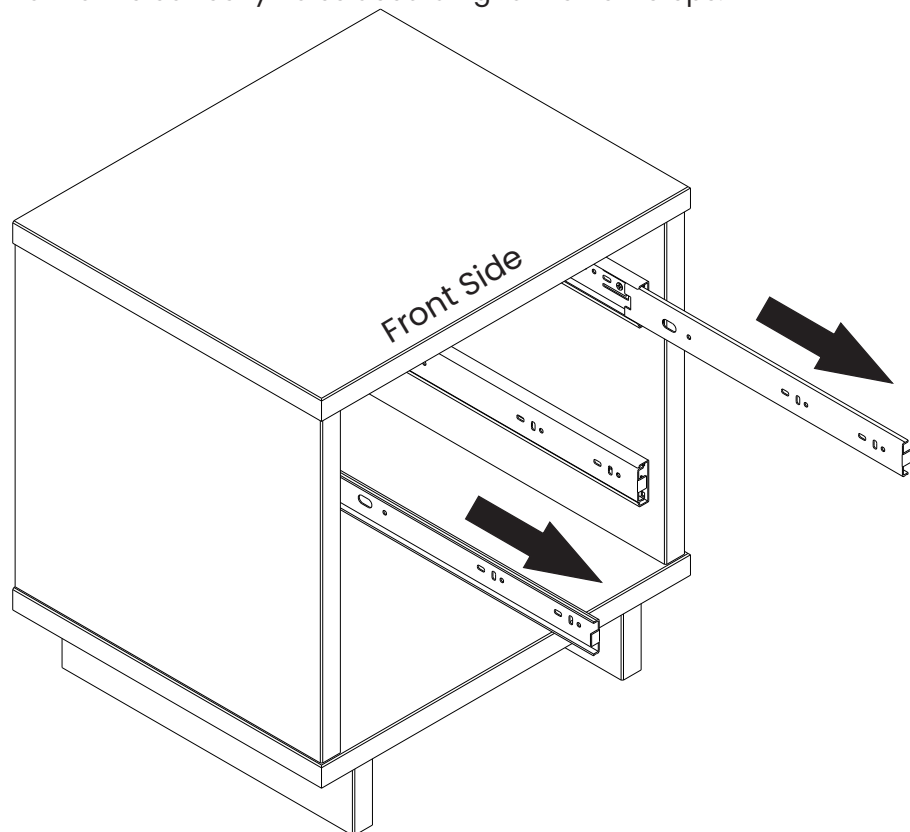
Apply the hardware B to parts 08-14.
Then, fix them with screw J.

11



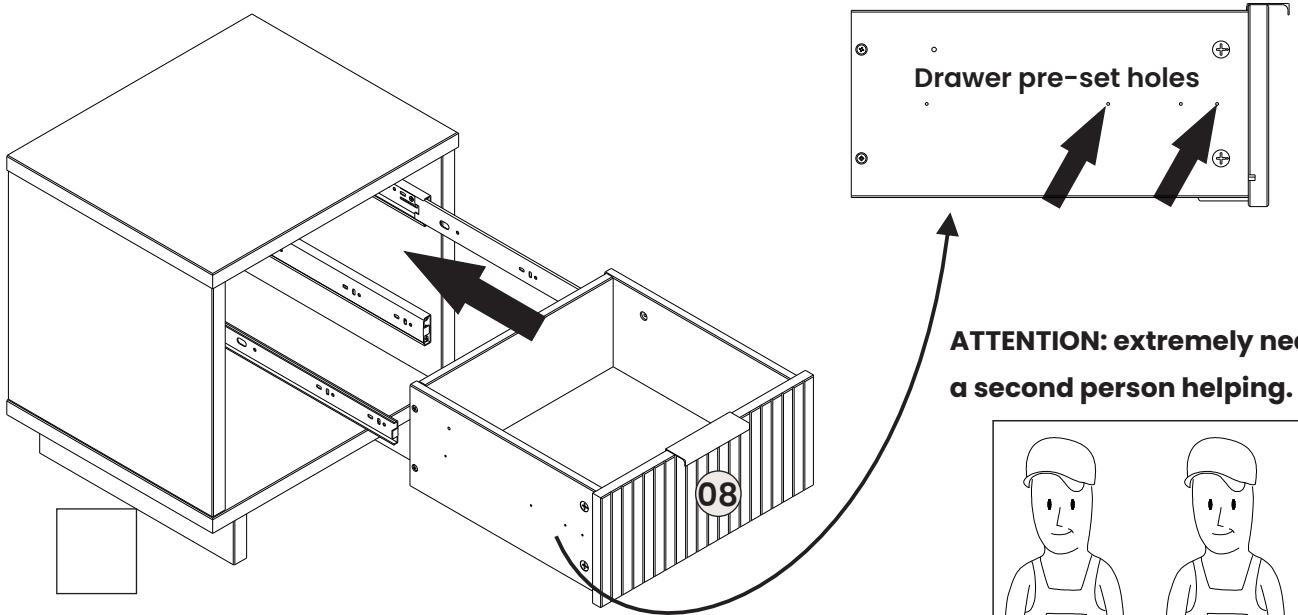
14

Before to fix the Drawers, you must extract the full extension of the Slides, by pulling off.
Then, pay attention to the correctly holes according to the next steps.



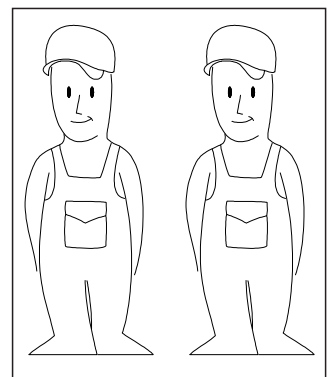
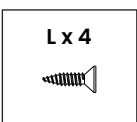
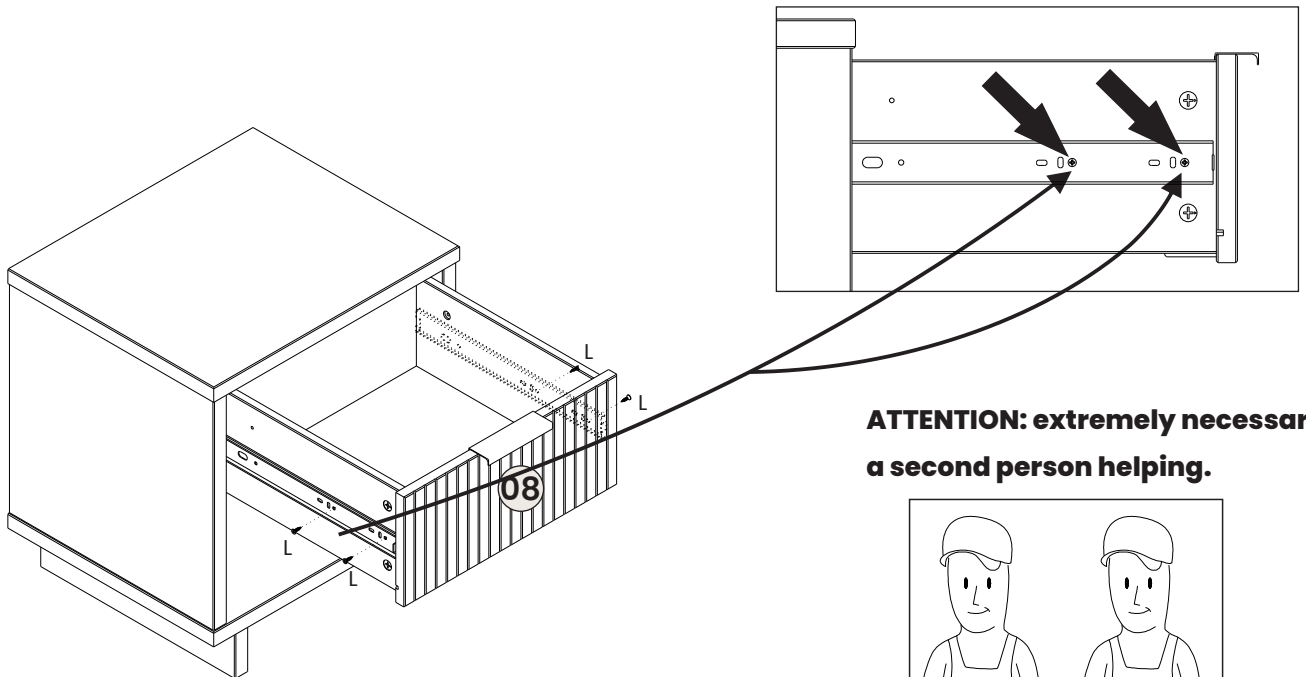
15

The Drawers have pre-set holes to help you on fixing them.
Set the Drawer on correct position and pre-set holes, carefully.



16

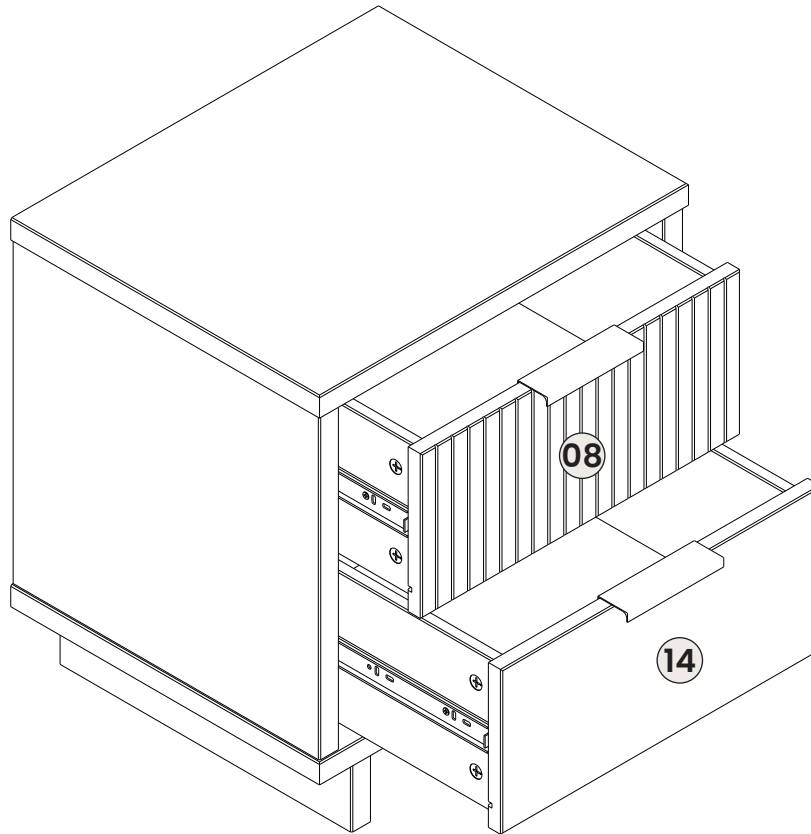
Firstly, make sure that the Drawer is correctly positioned according to the detail
The correct holes of the Slides must match with the pre-set holes of the Drawers.
Position and fix them with the screw L.



17

Apply the same fixing Drawers process and drawer opening limiter to the other drawer.

13



L x 4

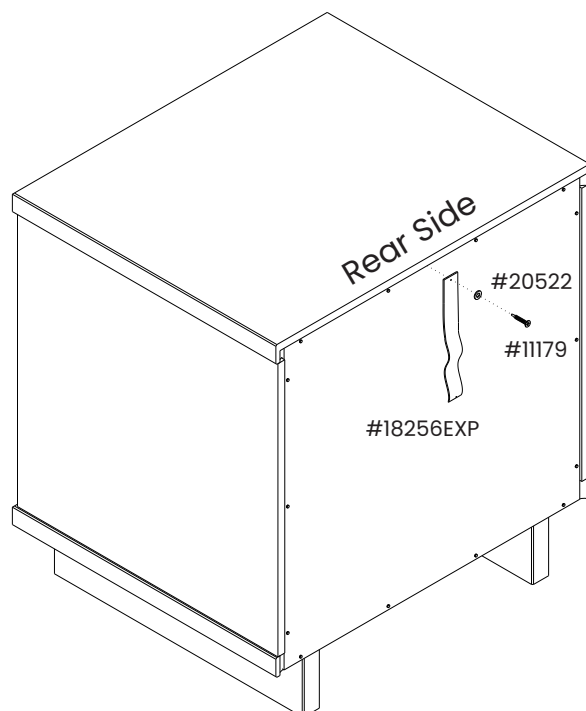
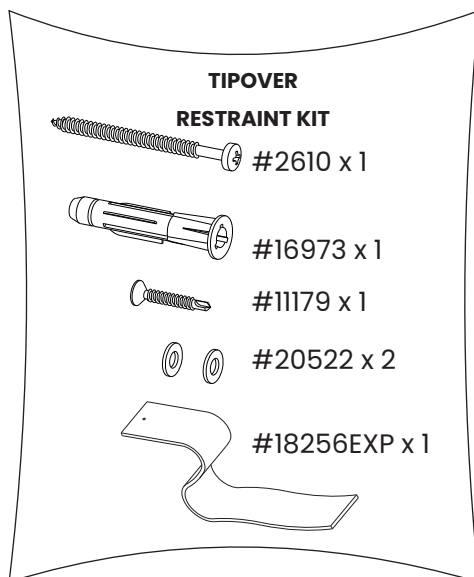


18

You must install the Tipover Restraint Kit (N) provided, in the rear side of the furniture.

Position the hardware #18256EXP and #20522.

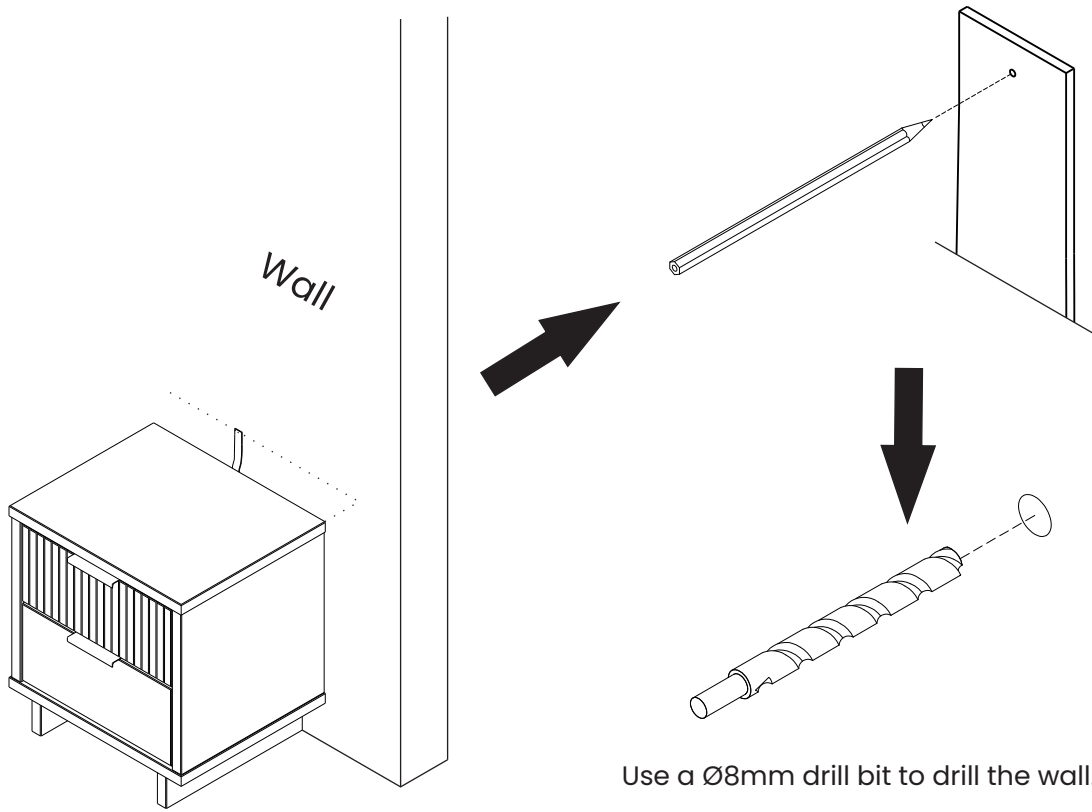
Fix them with screw #11179.



19

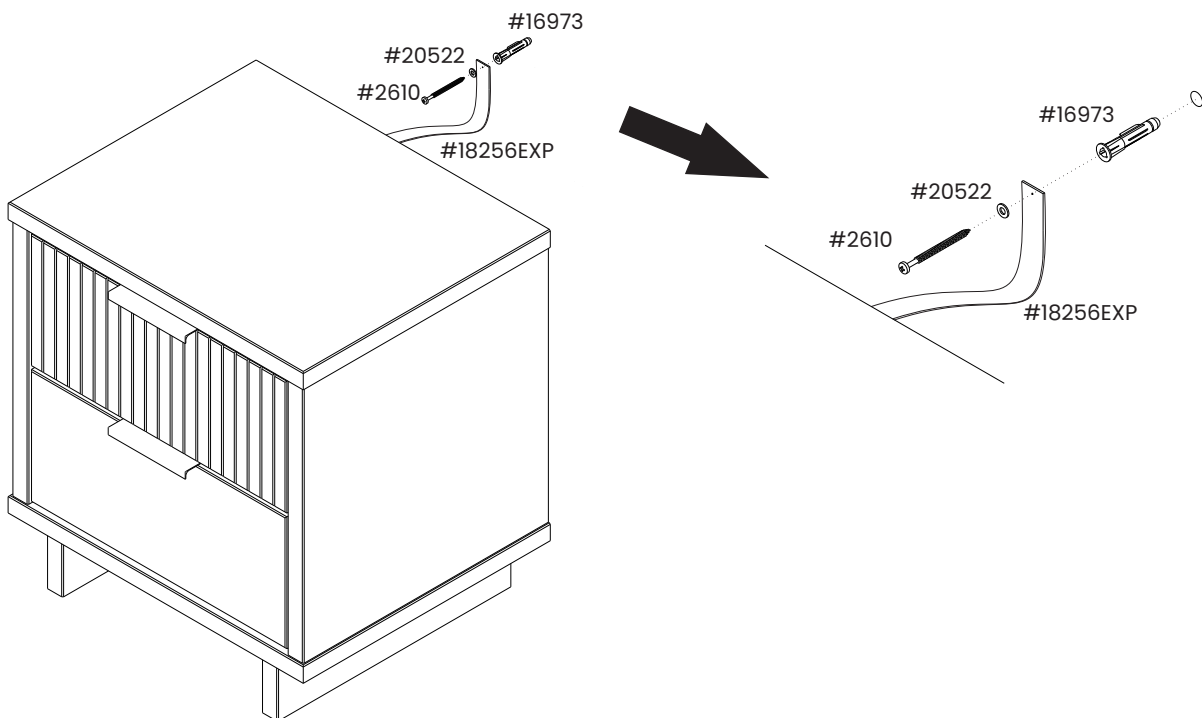
Approach the furniture as close as possible to the wall.
Then, mark with a pencil where you should drill the wall to put in the hardware.

14



20

Put in the hardware #16973 to the hole that you drilled on the wall.
Then, position the hardware #18256EXP and #20522.
Finally, fix them with screw #2610.





MANHATTAN
COMFORT

WARRANTY POLICY

All Manhattan Comfort furniture products are warranted, to the original purchaser at the time of purchase and for a period of 30 days thereafter.

Our warranty is limited to new products purchased in factory sealed cartons. This warranty is valid in the United States of America and Canada.

In order to provide you with timely assistance, please thoroughly inspect your furniture for missing or defective parts immediately after opening the carton.

Manhattan Comfort offers a 30-day parts replacement warranty on all items.

Our furniture products are not intended for outdoor use.

THE WARRANTY DOES NOT COVER:

- Defects/damages by improper assembly or disassembly.
- Defects/damages caused by shipping. Claims for damage during transit should be placed immediately to the transportation company.
- Defects/damages caused by inappropriate use of the furniture.



319 Ridge Rd. Dayton, NJ 08810

908-888-0818