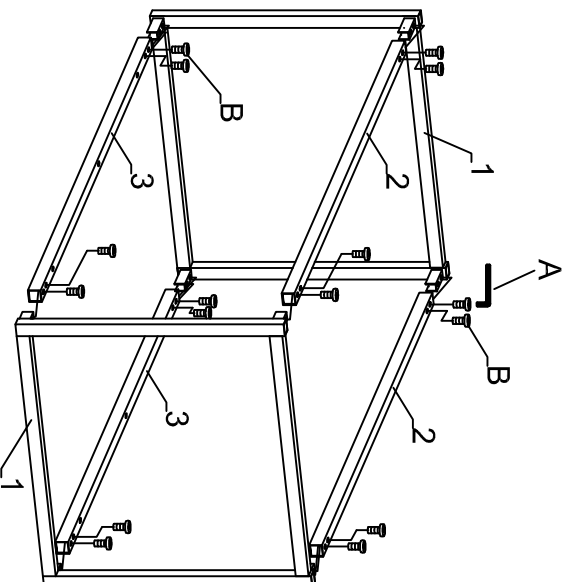
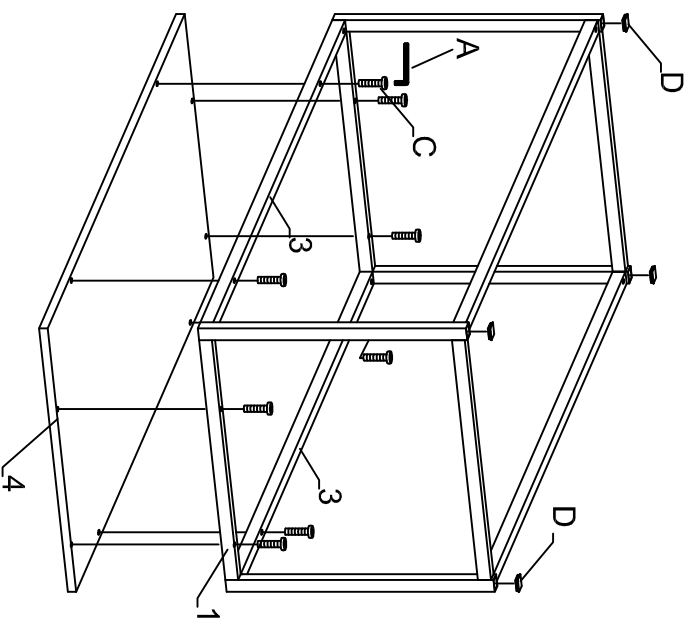


**\*\* Do not tighten any bolts until all of them have been started !**

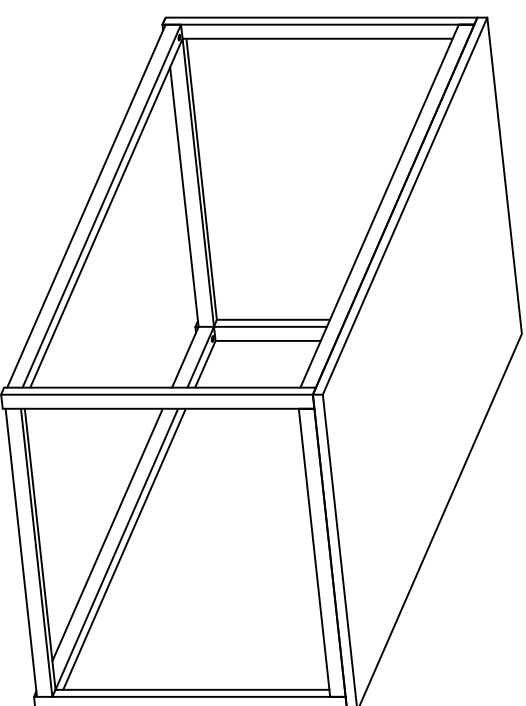
Step 1.



Step 2.





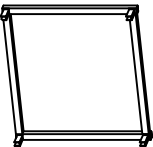
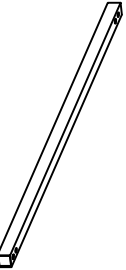
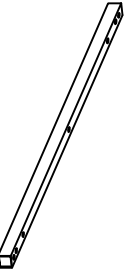



Step 3.



## ACCESSORY PACK

## COMPLETE HARDWARE

| A  | B   | C   | D   |
|--|---|---|---|
| <br>4mm | <br>1/4" X 13 mm | <br>1/4" X 35 mm |        |
| 1PC  | 16PCS   | 8PCS  | 4PCS  |
| 1  | 2   | 3   | 4   |
| <br>2PCS | <br>2PCS          | <br>2PCS          | <br>1PC |