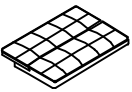



# ASSEMBLY INSTRUCTIONS

MODEL#: 57028/57029/57031/57038/57039

Thank you for purchasing the quality product. Be sure to check all packing material carefully for small parts which may have come loose inside the carton during shipment. Separate, identify and count all parts and metal hardware. Compare with all parts list to be sure all parts are present. If any part(s) are missing or damaged, please contact your local furniture dealer. For efficient and speedy service, please indicate the model number and code letter of part(s) needed.

\*\*\*Do not fully tighten screws until fully assembled\*\*\*

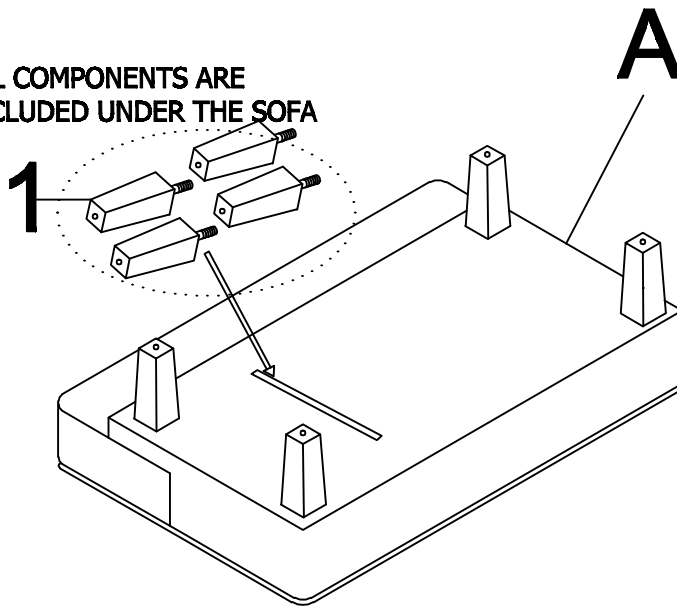
COMPONENT PARTS		Qty	HARDWARE LIST			
A		SOFA BED	1PC		LEG (85*85*200MM)	4PCS

## Attention

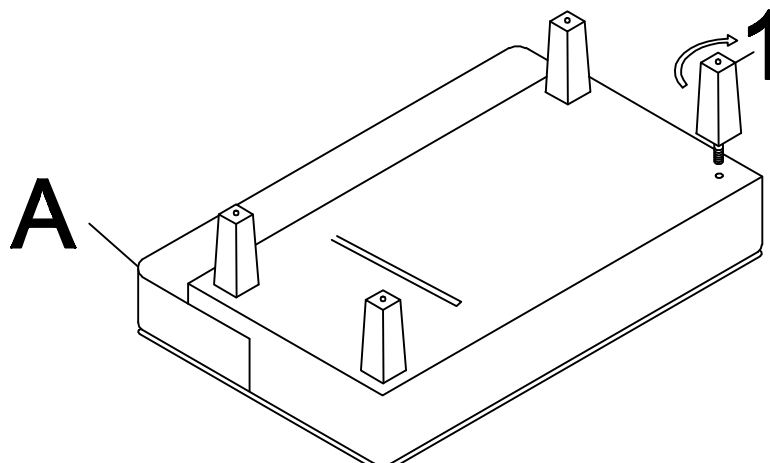
\*\*\*Some number parts listed on the instruction sheet may not be in parts bag as they may be assembled. Carefully check parts and packing materials prior to ordering replacements. \*\*\*

## step1

ALL COMPONENTS ARE INCLUDED UNDER THE SOFA



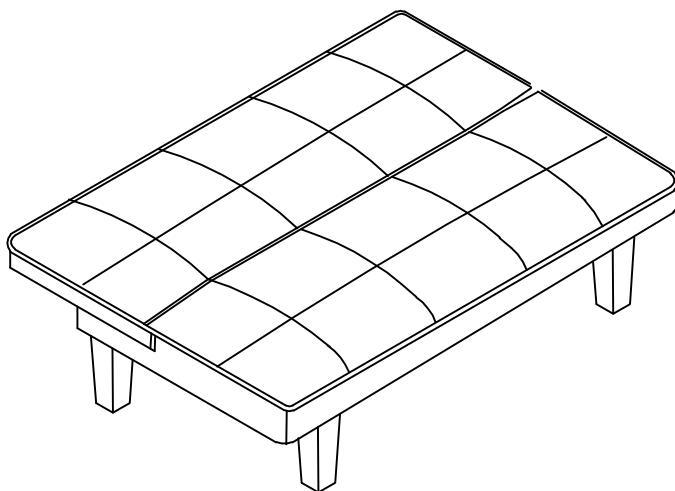
## step2



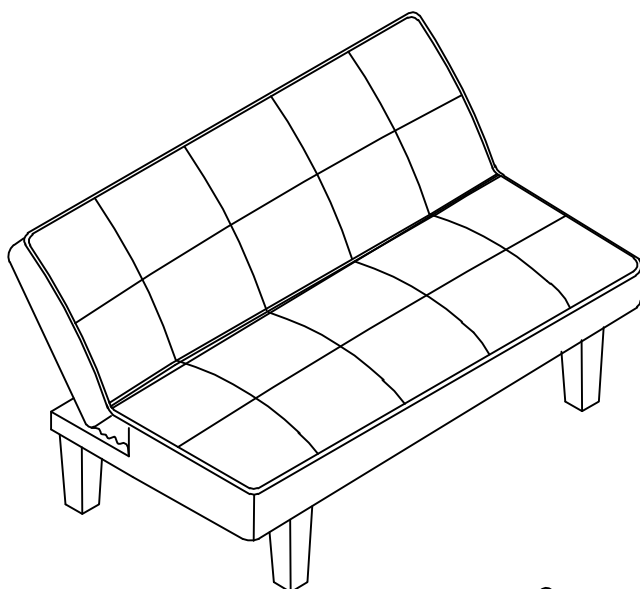
# ASSEMBLY INSTRUCTIONS

MODEL#: 57028/57029/57031/57038/57039

step3



step4



step5

