

ASSEMBLY INSTRUCTION FOR ACME FURNITURE

MODEL #DN01357 DINING TABLE W/DOUBLE PEDESTAL TOP/BASE

Thank you for purchasing this quality product. Be sure to check all packing material carefully for small parts which may have come loose inside the carton during shipment. Separate, identify and count all parts and metal hardware. Compare with parts list to be sure all parts are present. If any part are missing or damaged, please contact your local furniture dealer. For efficient and speedy service, please indicate the model number and code letter of part needed.

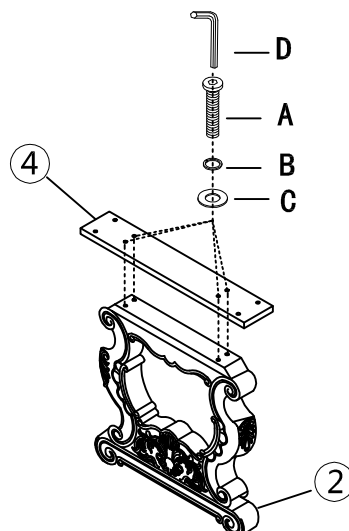
*** Do not fully tighten screws until fully assembled ***

Component Parts		
Descrip Tion	Part Name	Q'TY(Pcs)
①	Table Top	1
②	Leg	2
③	Leaf	1
④	Table Base	2
⑤	Stretchers	1

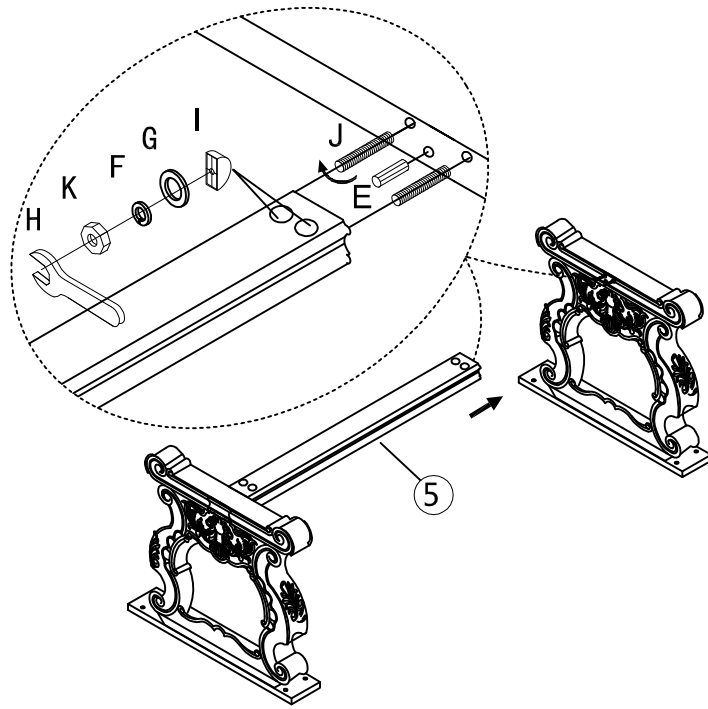
Hardwares Required

(A)		Bolt	5/16"*1-3/4"	16	Pcs
(B)		Spring Washer	5/16"	16	Pcs
(C)		Flat Washer	5/16"*19mm	16	Pcs
(D)		Allen Wrench	5mm	1	Pcs
(E)		Wood Dowel	10*40mm	2	Pcs
(F)		Spring Washer	5/16"	4	Pcs
(G)		Flat Washer	5/16"*16mm	4	Pcs
(H)		Wrench	5/16"	1	Pcs
(I)		Beveled Washer	5/16"	4	Pcs
(J)		Threaded Stud	5/16" *3"	4	Pcs
(K)		Hex Nut	5/16"	4	Pcs

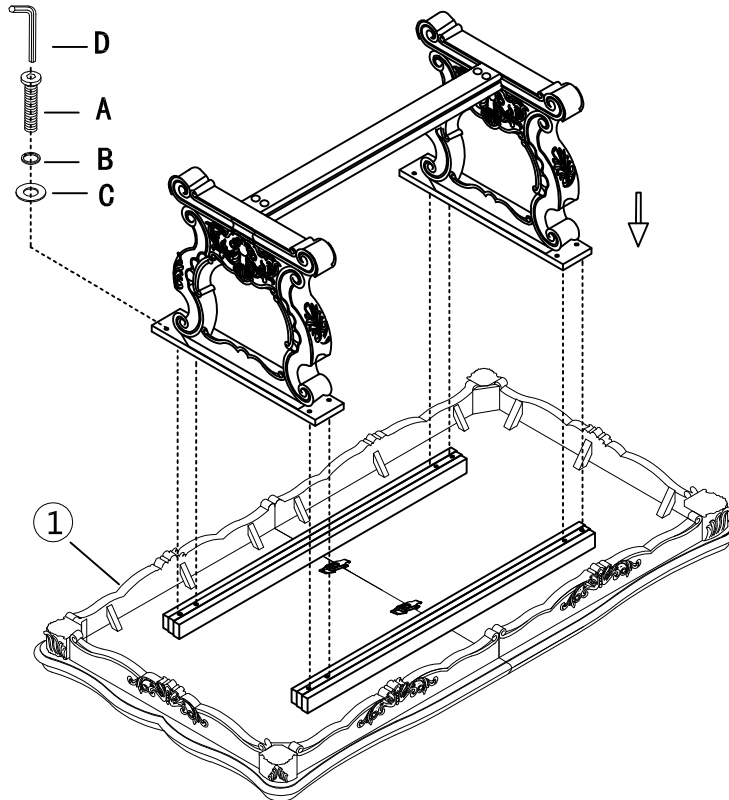
Step 1



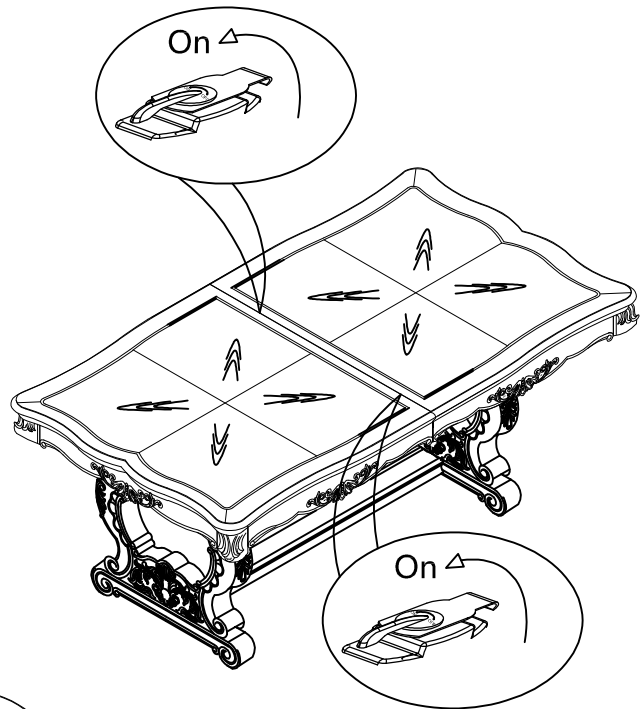
Step 2



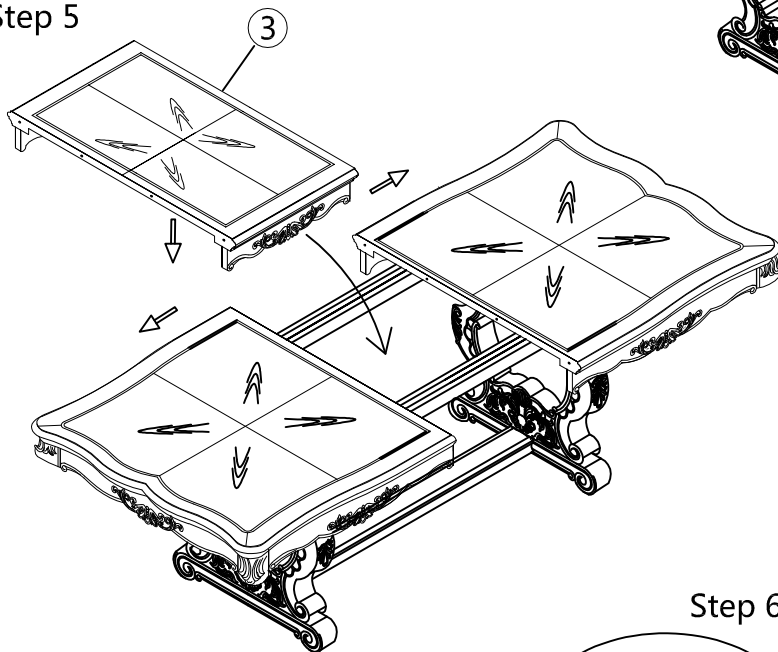
Step 3



Step 4



Step 5



Step 6

